



US00D553127S

(12) **United States Design Patent** (10) **Patent No.:** **US D553,127 S**
Burns (45) **Date of Patent:** **** Oct. 16, 2007**

(54) **PORTION OF A HANDSET**

D509,493 S 9/2005 Winebrenner et al.
D513,741 S 1/2006 Jensfelt

(75) Inventor: **Duncan Burns**, Tarzana, CA (US)

(Continued)

(73) Assignee: **Nokia Corporation**, Espoo (FI)

FOREIGN PATENT DOCUMENTS

(**) Term: **14 Years**

WO DM/066609 4/2005
WO DM/067110 9/2005
WO DM/067687 3/2006

(21) Appl. No.: **29/270,761**

(Continued)

(22) Filed: **Jan. 4, 2007**

OTHER PUBLICATIONS

Related U.S. Application Data

Samsung i310 telephone, announced Mar. 2006, [online], [retrieved on Sep. 29, 2006]. Retrieved from Internet, <URL:http://www.gsmarena.com>.

(62) Division of application No. 29/216,098, filed on Oct. 28, 2004, now Pat. No. Des. 544,851.

(Continued)

(51) **LOC (8) Cl.** **14-03**

(52) **U.S. Cl.** **D14/248**

(58) **Field of Classification Search** D14/138,
D14/341-347, 147-148, 496, 137, 248, 218;
379/433.01-433.13; 455/566, 575.1, 556.1,
455/556.2, 90.3; D21/517, 329, 331
See application file for complete search history.

Primary Examiner—Jeffrey Asch

(74) *Attorney, Agent, or Firm*—Banner & Witcoff, Ltd.

(57) **CLAIM**

The ornamental design for a portion of a handset, as shown and described.

(56) **References Cited**

DESCRIPTION

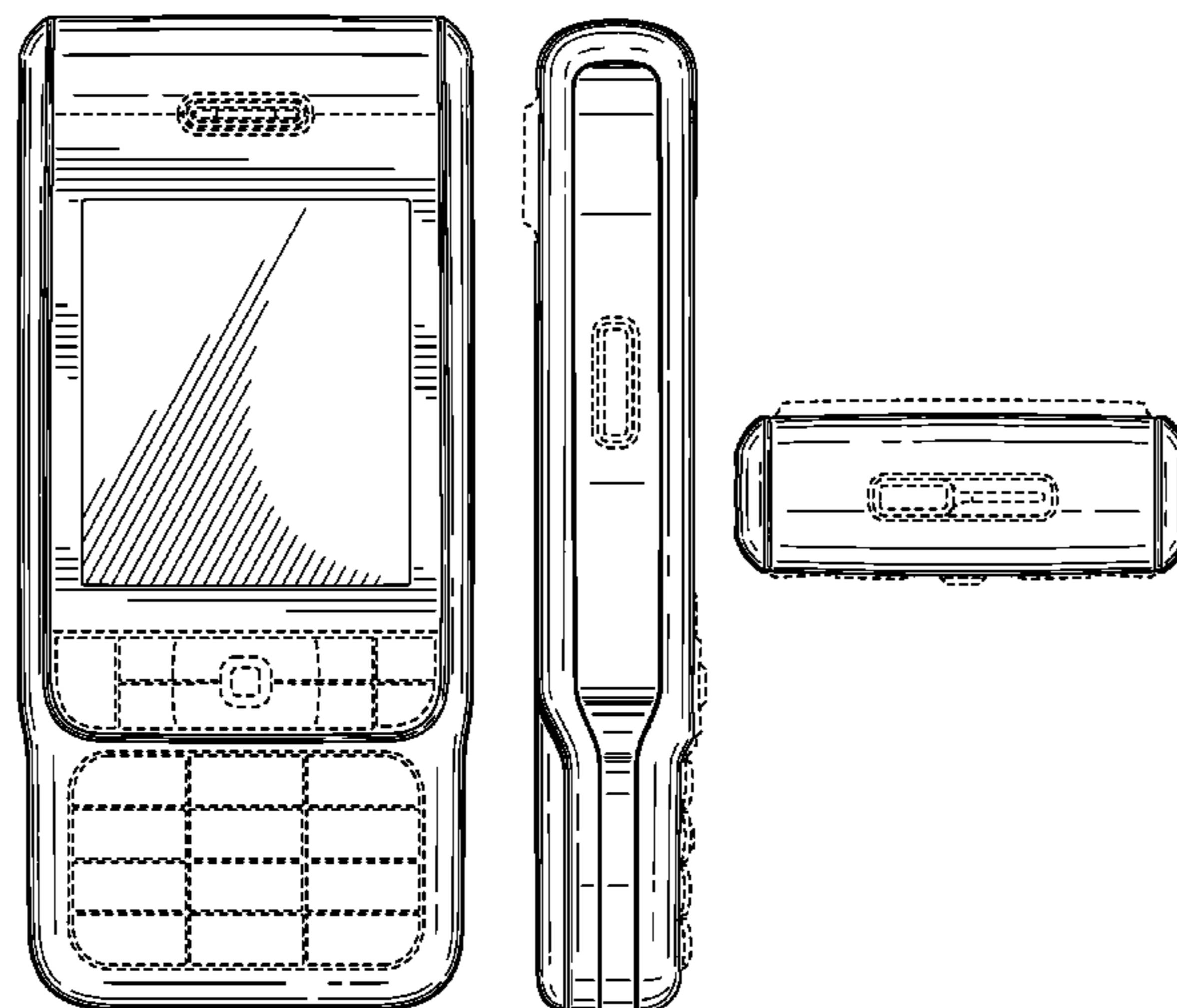
U.S. PATENT DOCUMENTS

- D385,875 S 11/1997 Harris et al.
- D464,645 S * 10/2002 O'Neil D14/248
- D469,748 S * 2/2003 Ribeiro et al. D14/138
- D478,882 S 8/2003 Peng et al.
- D479,216 S 9/2003 Ho-Cheun et al.
- D485,819 S 1/2004 Ahlgren
- D486,458 S 2/2004 Chen et al.
- D492,276 S 6/2004 Walliser et al.
- D492,659 S 7/2004 Medeiros et al.
- D496,921 S 10/2004 Hwang
- D500,992 S 1/2005 Shen et al.
- D502,159 S 2/2005 Chan et al.
- D502,160 S 2/2005 Chen et al.
- D502,455 S 3/2005 Brandis et al.
- D502,933 S 3/2005 Munstermann
- D503,162 S 3/2005 Kagami et al.
- D505,932 S 6/2005 Eckholm et al.
- D508,902 S 8/2005 Lee et al.

FIG. 1 is a portion of a handset showing my new design;
FIG. 2 is a right side view thereof;
FIG. 3 is a front view thereof;
FIG. 4 is a left side view thereof;
FIG. 5 is a top view thereof;
FIG. 6 is a rear view thereof;
FIG. 7 is a perspective front view thereof; and,
FIG. 8 is a perspective rear view thereof.

The broken lines shown in FIGS. 1-8 that are immediately adjacent to the shaded areas represent the bounds of the claimed design, while all other broken lines are directed to environment and are for illustrative purposes only; the broken lines form no part of the claimed design.

1 Claim, 4 Drawing Sheets



U.S. PATENT DOCUMENTS

D514,542 S 2/2006 Bertrand et al.
D515,059 S 2/2006 Wu
D515,533 S 2/2006 Yano
D515,541 S 2/2006 Jensfelt
D515,544 S 2/2006 Kim et al.
D523,836 S 6/2006 Park
D523,837 S 6/2006 Lee
D524,779 S 7/2006 Lyles
D524,782 S 7/2006 Sun et al.
D525,228 S 7/2006 Kim et al.
D525,229 S 7/2006 Friesen et al.
D528,093 S 9/2006 Yang et al.
D528,532 S 9/2006 Dimitriadis et al.
D532,767 S * 11/2006 Yoshino et al. D14/138
2006/0030380 A1 2/2006 Pentinpuro

FOREIGN PATENT DOCUMENTS

WO DM/067705 4/2006

WO DM/067919 5/2006

OTHER PUBLICATIONS

Sony Ericsson K800 telephone, announced Feb. 2006, [online], [retrieved on Sep. 29, 2006]. Retrieved from Internet, <URL:http://www.gsmarena.com>.
XCute DV50 telephone, announced Feb. 2006, [online], [retrieved on Sep. 29, 2006]. Retrieved from Internet, <URL:http://www.gsmarena.com>.
Siemens ME75 telephone, announced Oct. 2005, [online], [retrieved on Sep. 29, 2006]. Retrieved from Internet, <URL:http://www.gsmarena.com>.
NEC e121 telephone, announced 4th quarter 2005, [online], [retrieved on Jun. 28, 2006]. Retrieved from Internet, <URL:http://www.gsmarena.com>.
Sagem MY X-8 telephone, announced 3rd quarter 2004, [online], [retrieved on Sep. 29, 2006]. Retrieved from Internet, <URL:http://www.gsmarena.com>.

* cited by examiner

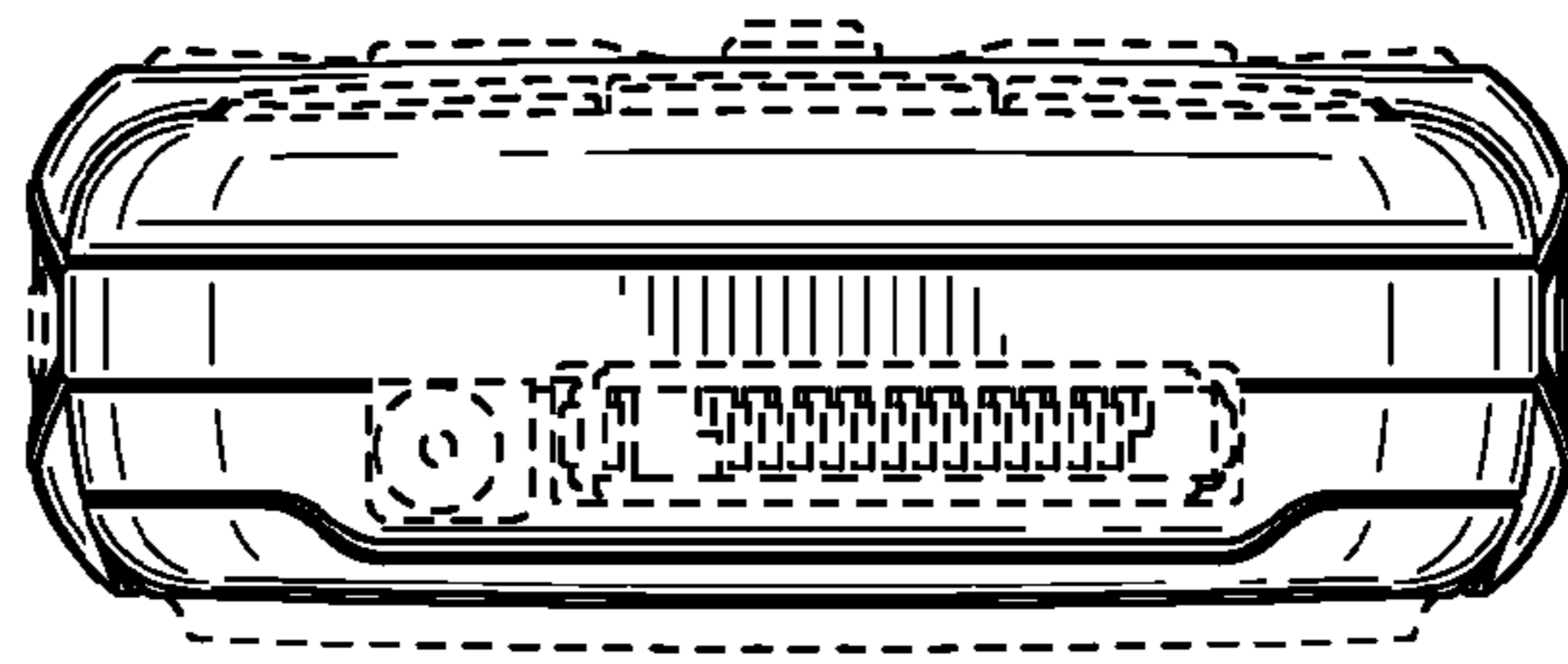


FIG. 1

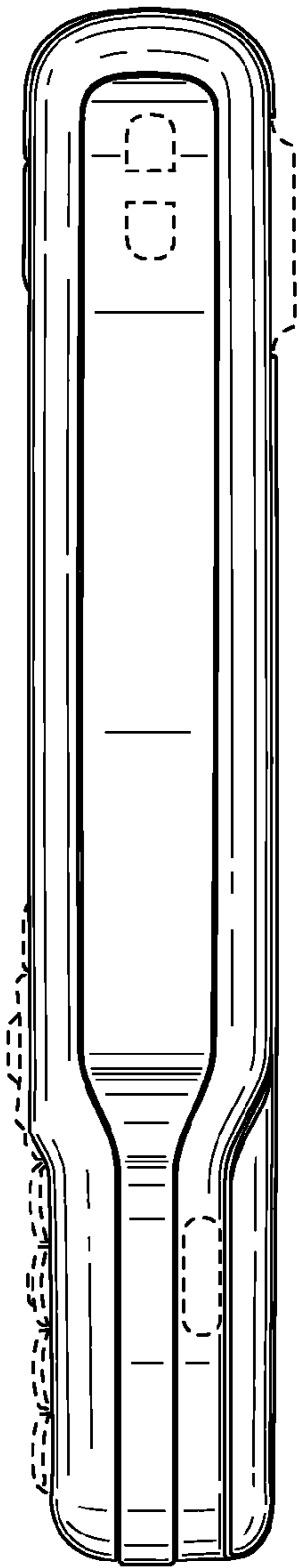


FIG. 2

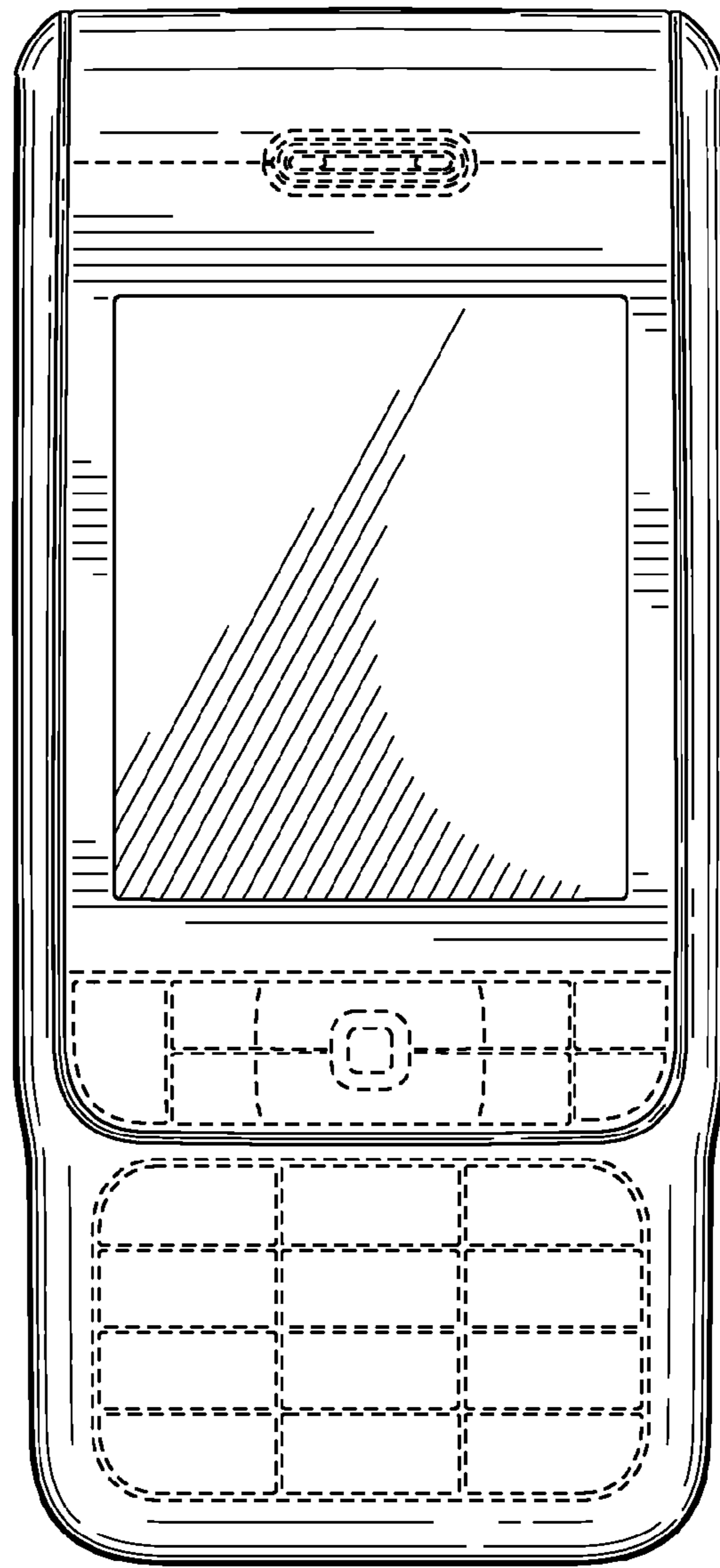


FIG. 3

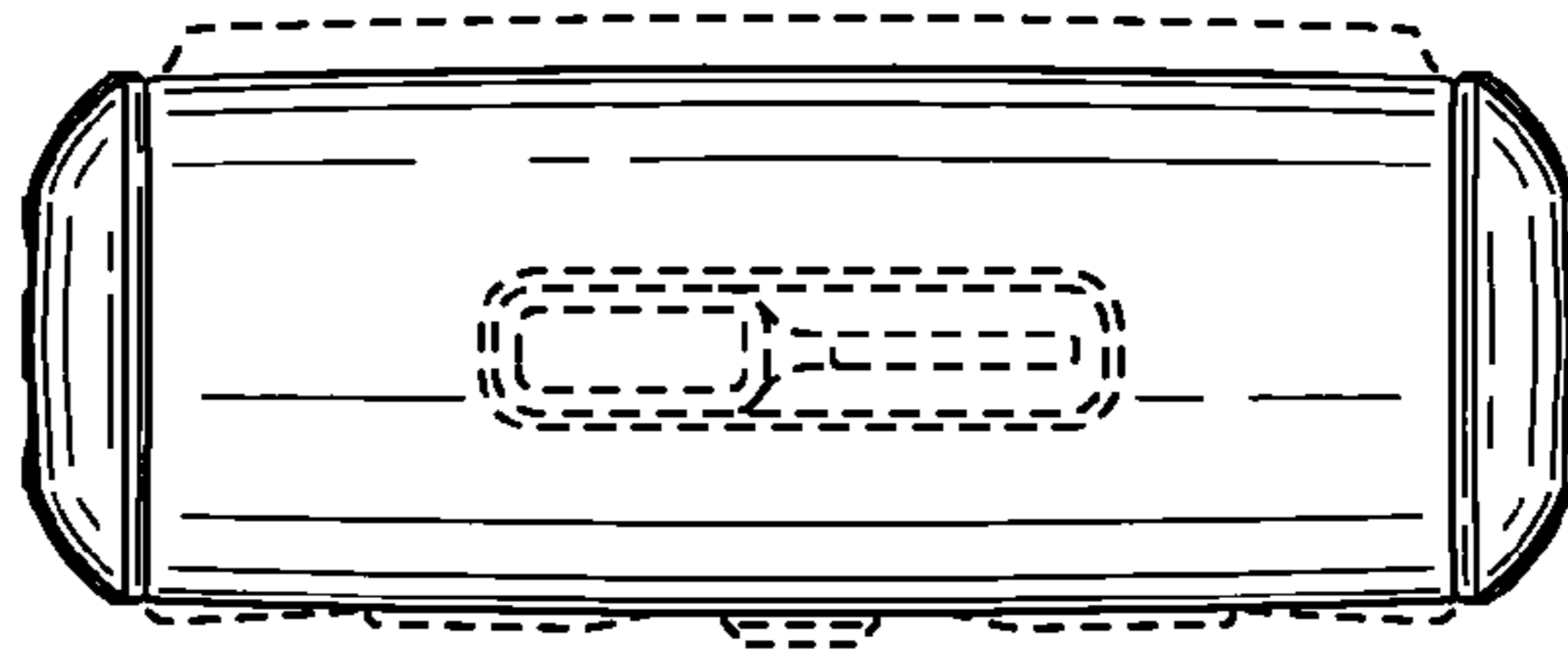


FIG. 5

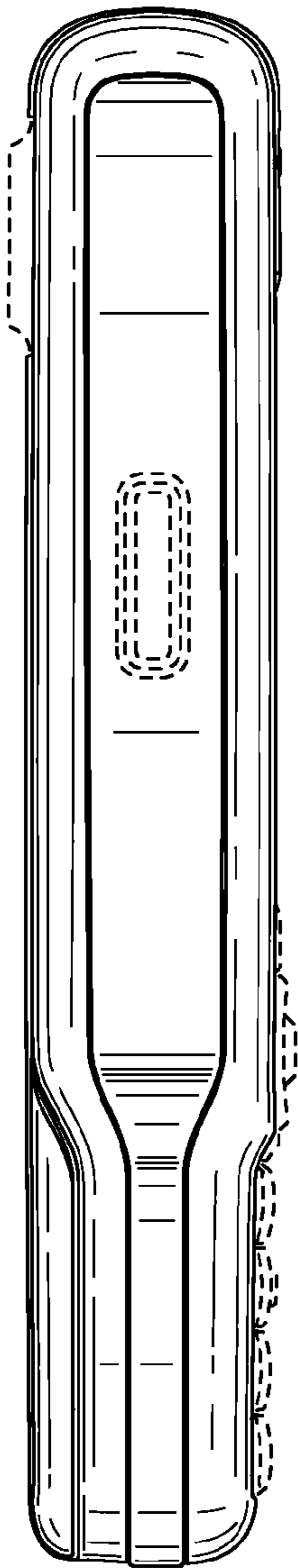


FIG. 4

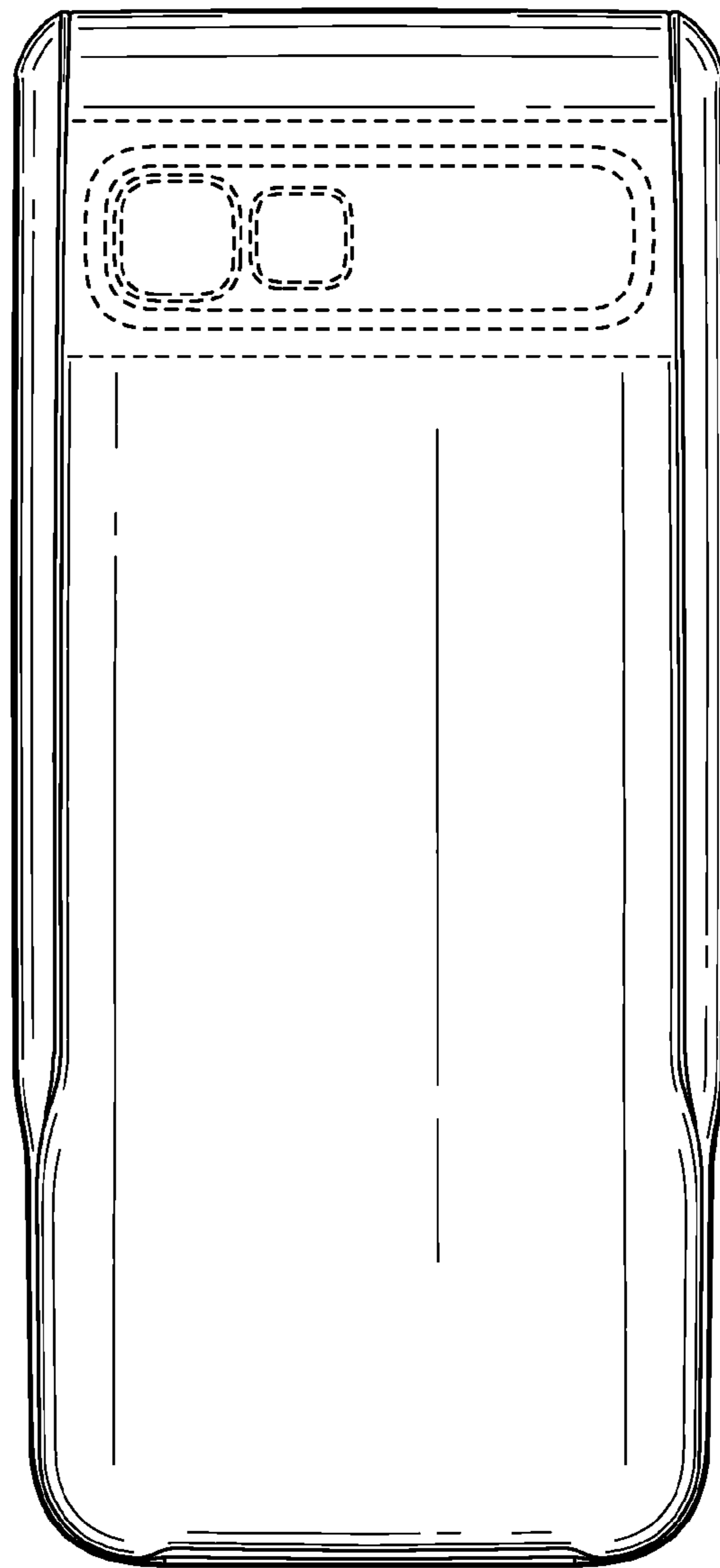


FIG. 6

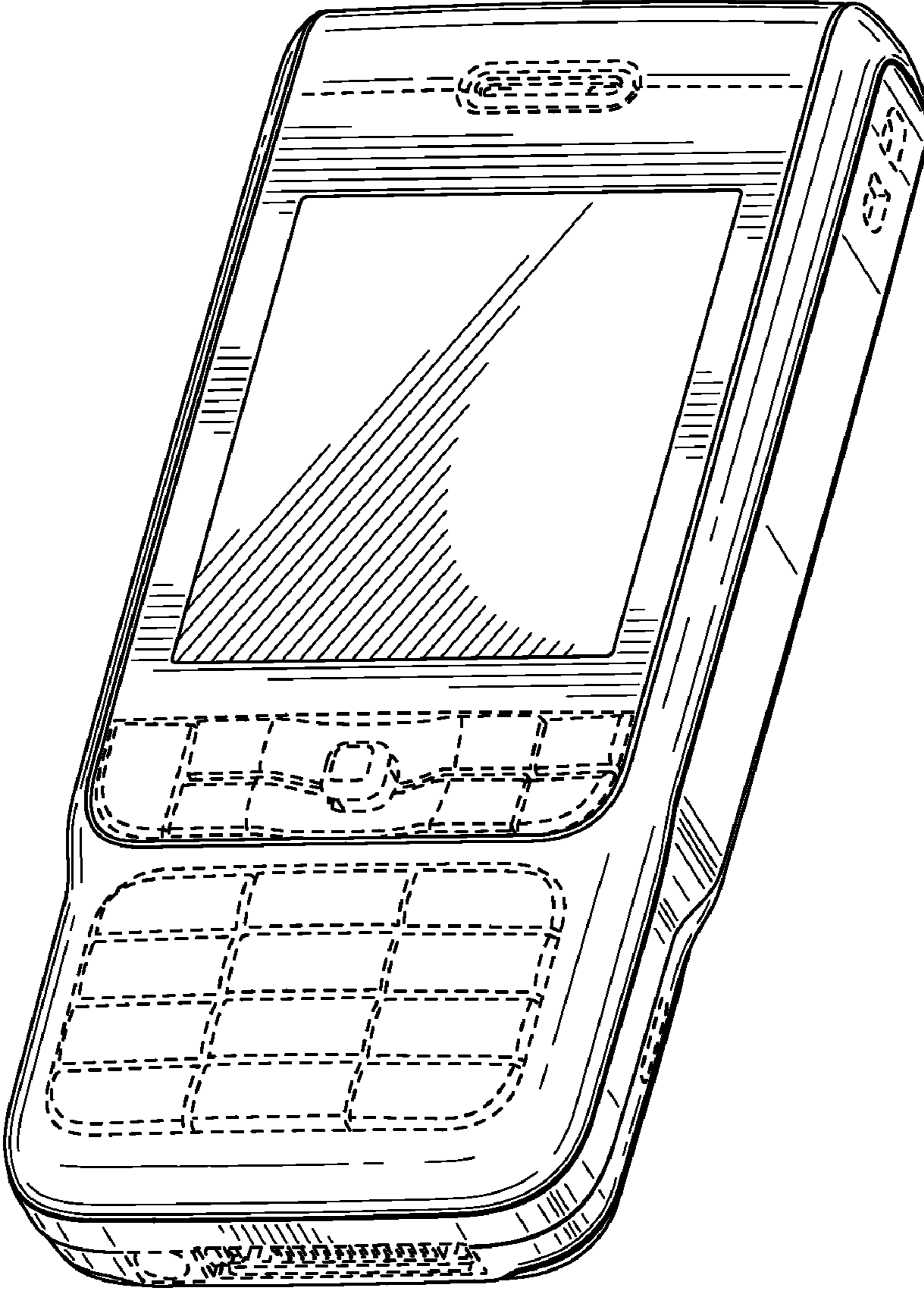


FIG. 7

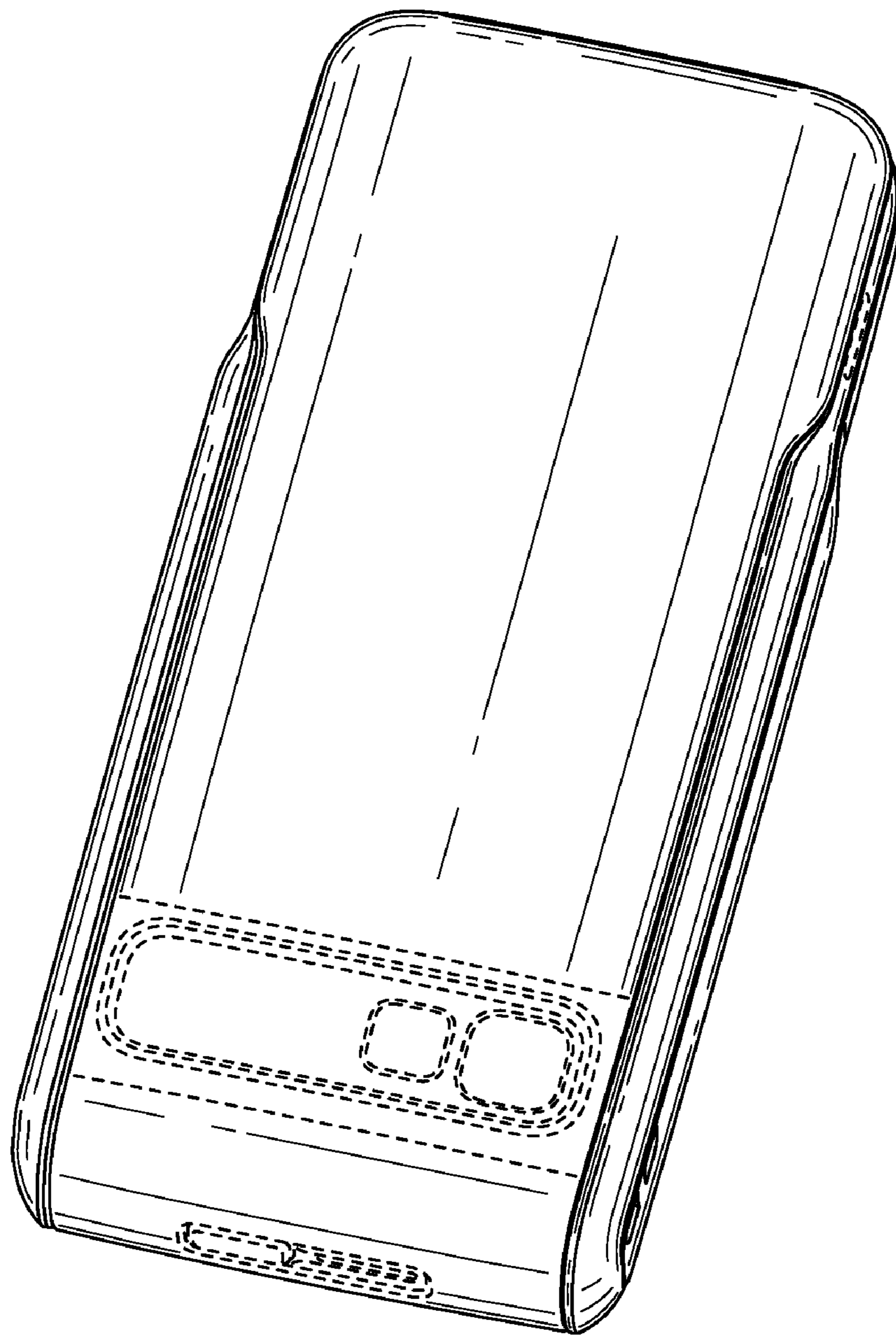


FIG. 8