



US00D553126S

(12) **United States Design Patent**
Katayama

(10) **Patent No.:** **US D553,126 S**

(45) **Date of Patent:** **** Oct. 16, 2007**

(54) **MOBILE PHONE**

(75) Inventor: **Masaharu Katayama**, Nishinomiya (JP)

(73) Assignee: **Sanyo Electric Co., Ltd.**, Osaka (JP)

(**) Term: **14 Years**

(21) Appl. No.: **29/252,686**

(22) Filed: **Jan. 25, 2006**

(30) **Foreign Application Priority Data**

Aug. 4, 2005 (JP) 2005-022748

(51) **LOC (8) Cl.** **14-03**

(52) **U.S. Cl.** **D14/248**; D14/138

(58) **Field of Classification Search** D14/496,
D14/138, 341-347; 455/575.3, 575.1; D21/517
See application file for complete search history.

(56) **References Cited**

U.S. PATENT DOCUMENTS

D447,128 S *	8/2001	Lee et al.	D14/138
D459,329 S *	6/2002	Suzuki et al.	D14/138
D485,818 S *	1/2004	Yabe et al.	D14/138
D488,791 S *	4/2004	Honda et al.	D14/138
D491,906 S *	6/2004	Okamatsu	D14/138
D491,907 S *	6/2004	Ogawa	D14/138
D496,018 S *	9/2004	Koo et al.	D14/138
D496,019 S *	9/2004	Okada et al.	D14/138
D501,457 S *	2/2005	Lee et al.	D14/138
D501,851 S *	2/2005	Watanabe et al.	D14/248
D505,124 S *	5/2005	Takada	D14/138
D507,255 S *	7/2005	Watanabe et al.	D14/138
D507,552 S *	7/2005	Liang	D14/138
D507,553 S *	7/2005	Gotou et al.	D14/138
D508,032 S *	8/2005	Kim et al.	D14/138
D508,037 S *	8/2005	Joung	D14/138
D509,495 S *	9/2005	Ribeiro et al.	D14/138

D510,923 S *	10/2005	Okamatsu	D14/138
D519,096 S *	4/2006	Kanaoka et al.	D14/138
D519,969 S *	5/2006	Sutherland et al.	D14/138
D521,969 S *	5/2006	Kim et al.	D14/138
D524,787 S *	7/2006	Watanabe et al.	D14/138
D535,964 S *	1/2007	Baik et al.	D14/138
D536,686 S *	2/2007	Miyata	D14/138
2004/0109559 A1 *	6/2004	Lee	379/433.04

FOREIGN PATENT DOCUMENTS

JP	1188896	* 10/2003
JP	1191824	* 12/2003
JP	D1197242 S	2/2004
JP	D1197504 S	2/2004
JP	D1221571 S	11/2004
JP	D1229603 S	2/2005

* cited by examiner

Primary Examiner—Jeffrey Asch

(74) *Attorney, Agent, or Firm*—Darby & Darby

(57) **CLAIM**

The ornamental design for mobile phone, as shown and described.

DESCRIPTION

FIG. 1 is a front, right-side perspective view of our new design for mobile phone;

FIG. 2 is a front elevation view thereof;

FIG. 3 is a rear elevation view thereof;

FIG. 4 is a top plan view thereof;

FIG. 5 is a bottom plan view thereof;

FIG. 6 is a left-side elevation view thereof;

FIG. 7 is a right-side elevation view thereof; and,

FIG. 8 is a front, right-side perspective view with the lid open.

1 Claim, 2 Drawing Sheets

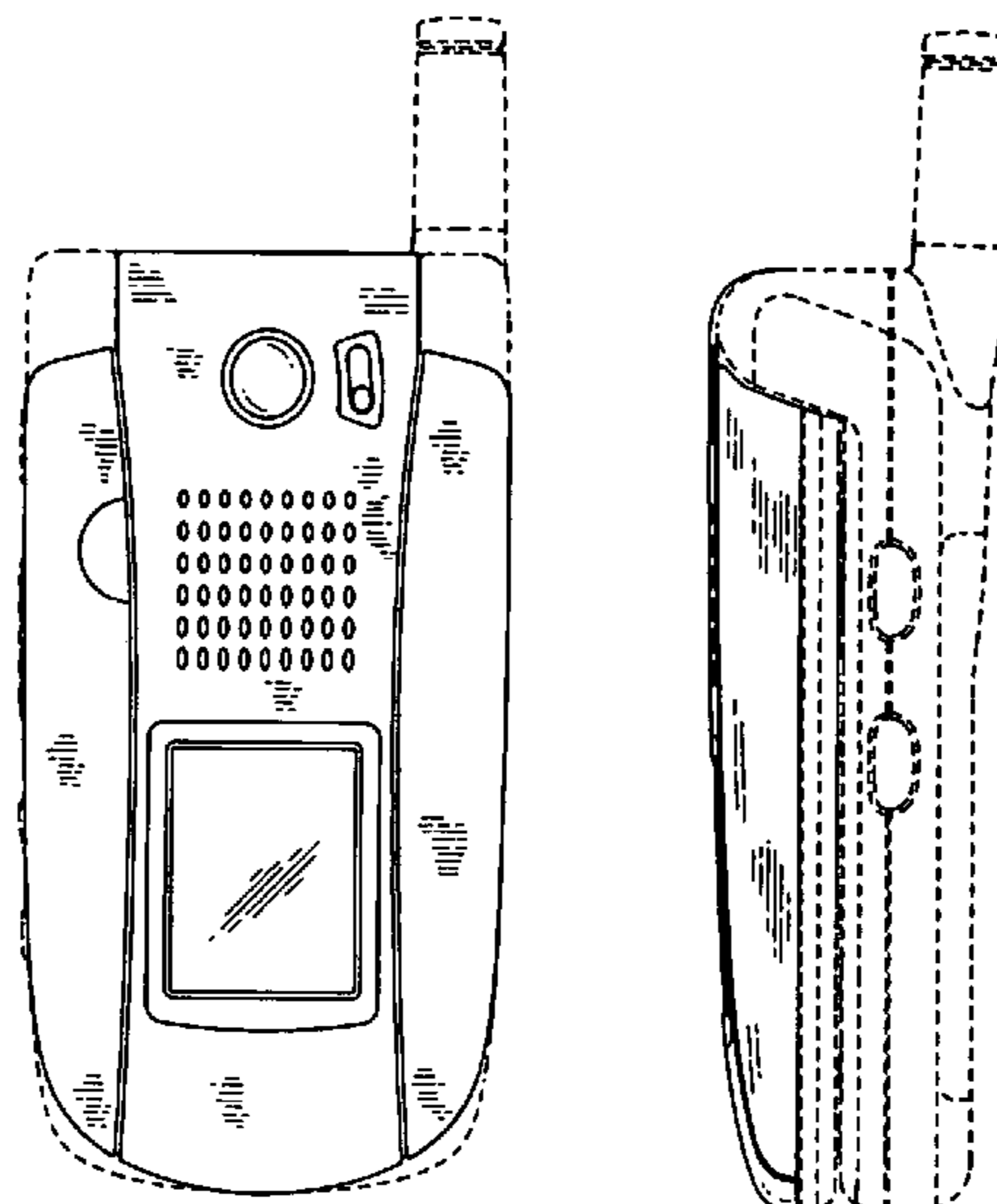


FIG. 1

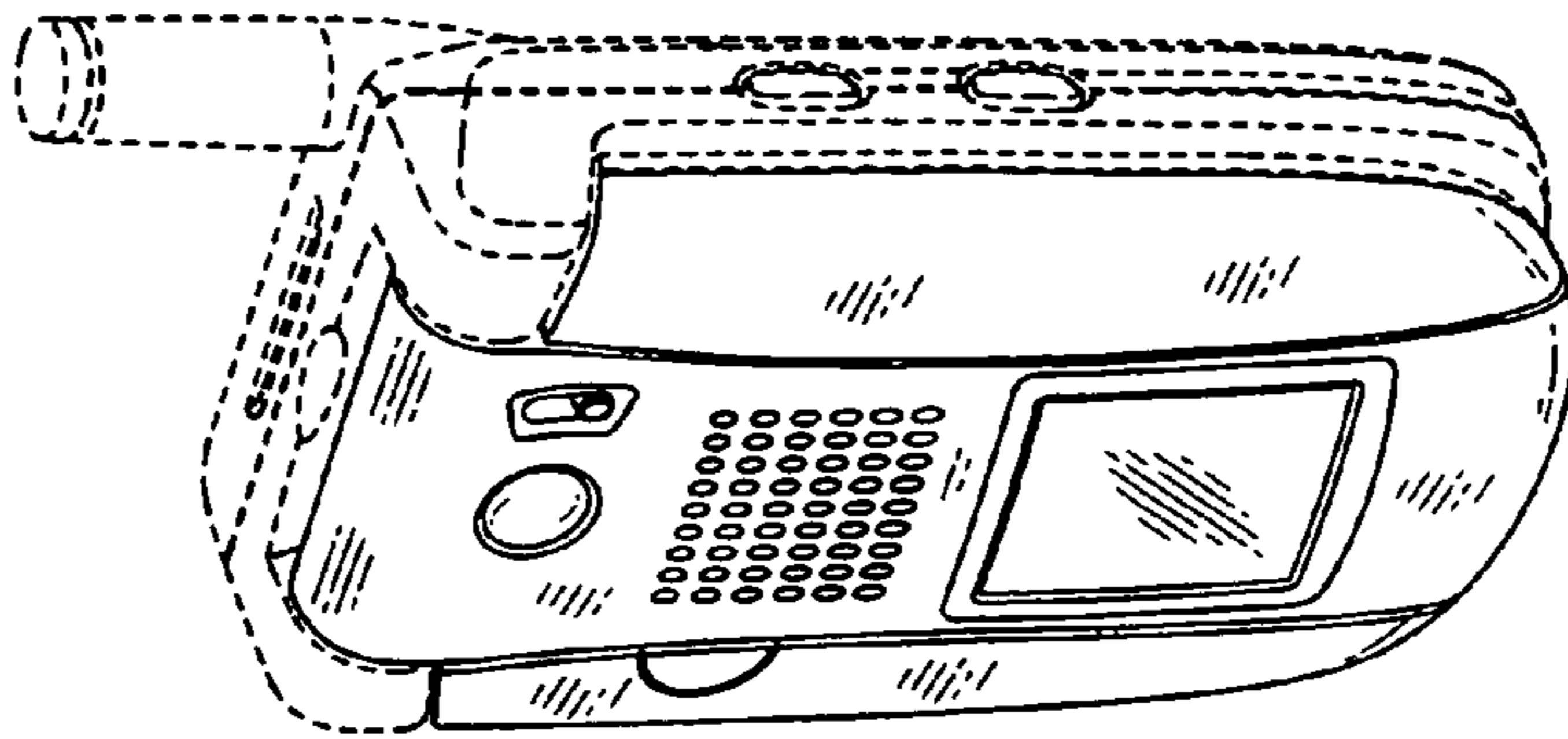


FIG. 2

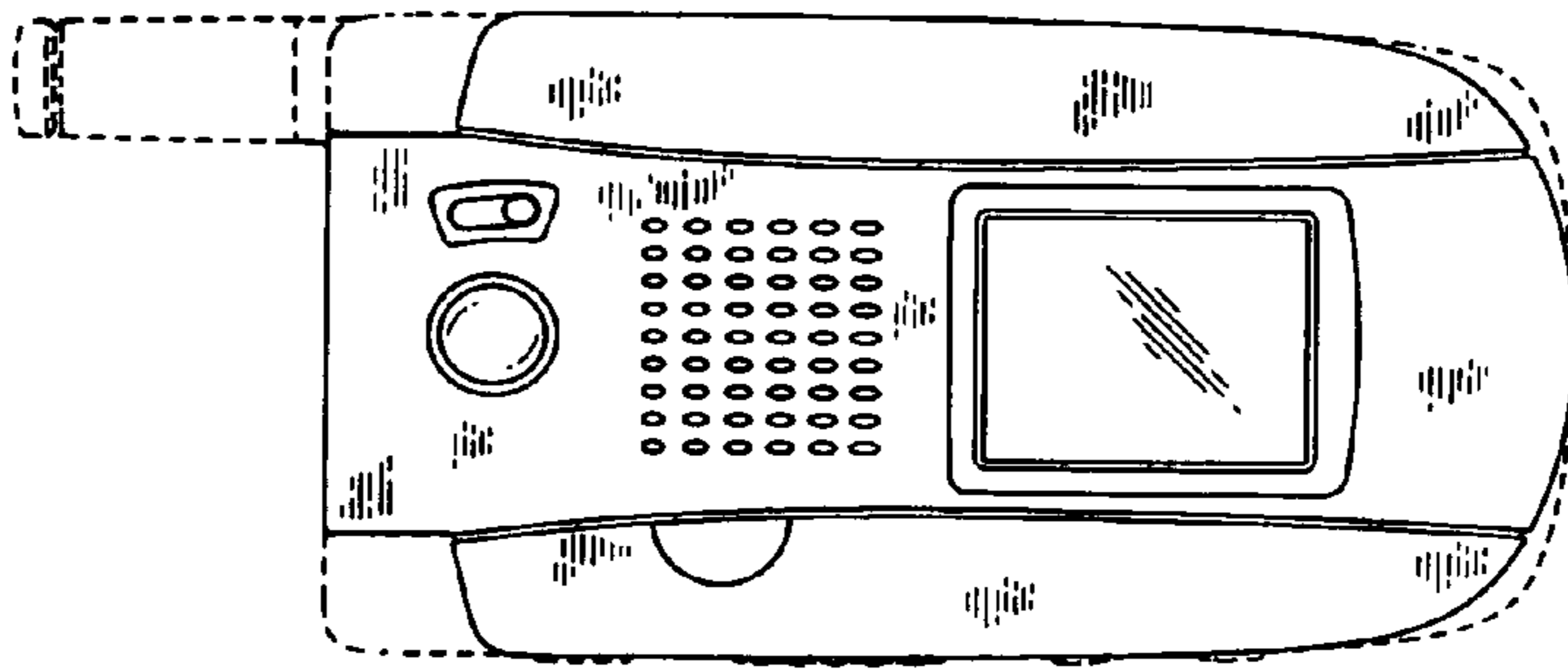


FIG. 3

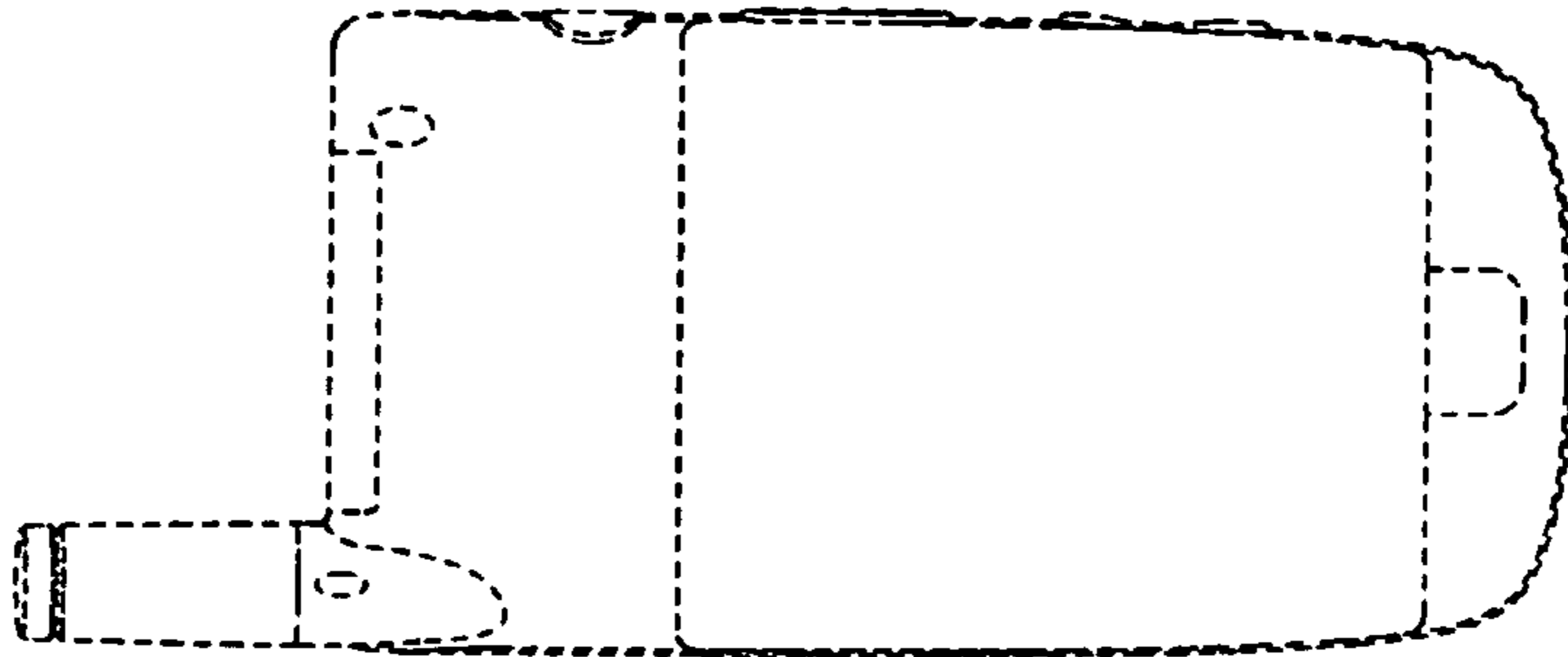


FIG. 4



FIG. 8

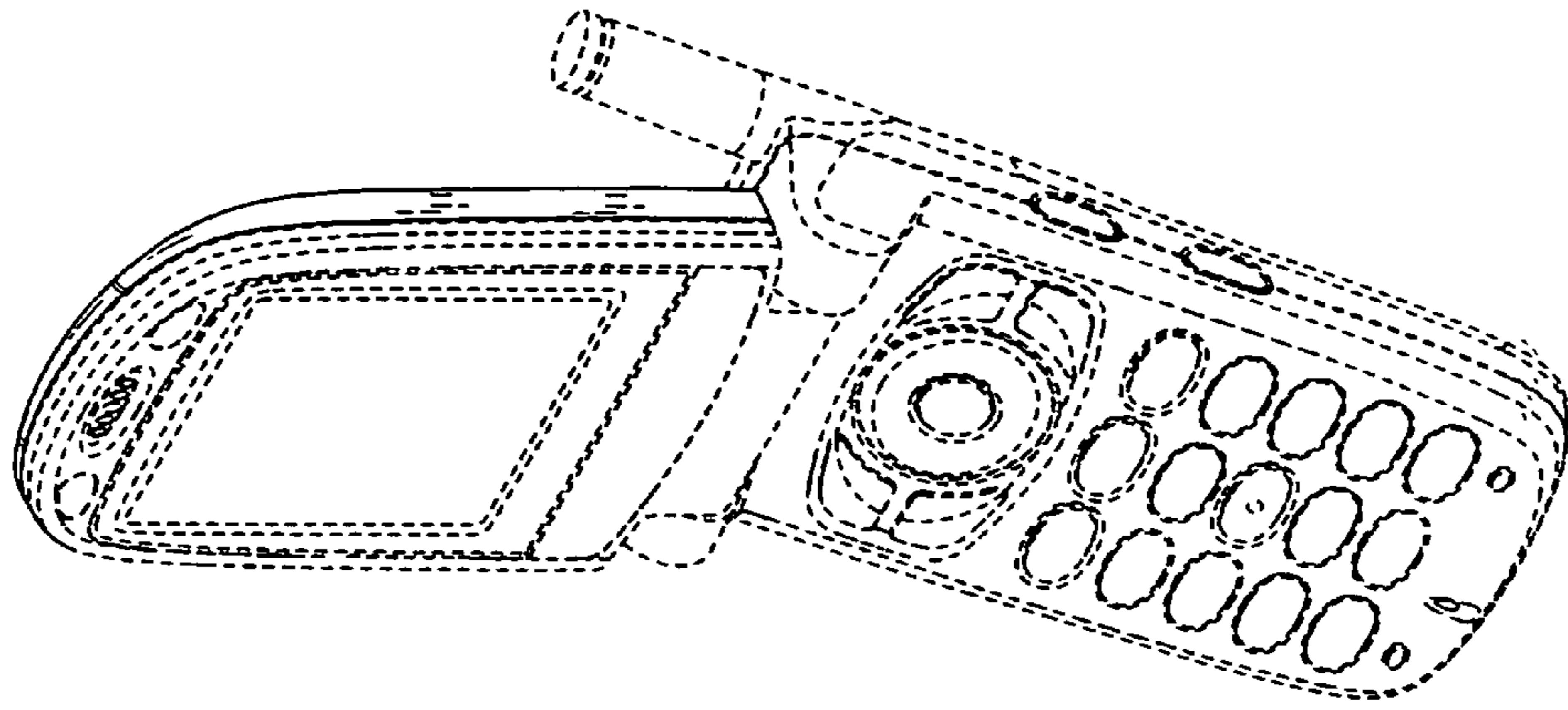


FIG. 7

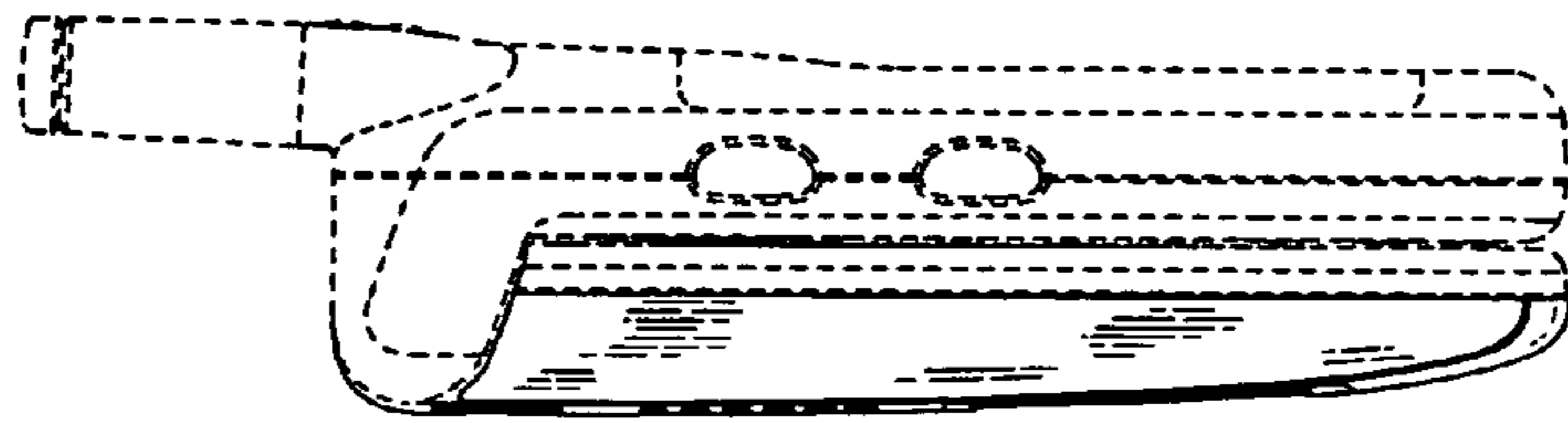


FIG. 6

