



US00D553125S

(12) **United States Design Patent**
Ly Hau et al.

(10) **Patent No.:** **US D553,125 S**

(45) **Date of Patent:** **** Oct. 16, 2007**

(54) **UNIVERSAL MOUNT WITH TILT FOR A FLAT PANEL DISPLAY**

(75) Inventors: **Flavio Ly Hau**, Tempe, AZ (US); **Brett Stenhouse**, Phoenix, AZ (US); **Zachary Eyman**, Phoenix, AZ (US); **Korry Hoglean**, Phoenix, AZ (US); **David Anderson**, Mesa, AZ (US); **Tom Muday**, Scottsdale, AZ (US); **Vivek Jayaprakasan**, Tempe, AZ (US)

(73) Assignee: **Omnimount Systems, Inc.**, Phoenix, AZ (US)

(**) Term: **14 Years**

(21) Appl. No.: **29/253,810**

(22) Filed: **Feb. 13, 2006**

(51) **LOC (8) Cl.** **14-03**

(52) **U.S. Cl.** **D14/239**

(58) **Field of Classification Search** D14/239, D14/451-454, 224, 316, 375-377, 432, 439, D14/447-448, 455, 457, 469, 125-134; D8/363, D8/373, 349, 394; 248/278.1, 279.1, 514, 248/291.1, 125.1, 121, 124.1, 125.7, 276.1, 248/415, 284.1, 286.4, 281.11, 292.11, 181.2, 248/917-921, 126-128, 133, 178.1, 183.1, 248/183.2, 346.01, 346.03, 349.1, 371, 473, 248/474, 512; 348/825, 827, 836, 837; 600/443

See application file for complete search history.

(56) **References Cited**

U.S. PATENT DOCUMENTS

D539,125 S * 3/2007 Ly Hau et al. D8/373

D539,128 S * 3/2007 Ly Hau et al. D8/373
7,195,214 B2 * 3/2007 Lee et al. 248/125.8
D539,636 S * 4/2007 Bremmon D8/363
D539,637 S * 4/2007 Ly Hau et al. D8/373
D540,154 S * 4/2007 Bremmon D8/363
2003/0201372 A1 * 10/2003 Dozier 248/286.1

* cited by examiner

Primary Examiner—Raphael Barkai

Assistant Examiner—Randall H Gholson

(74) *Attorney, Agent, or Firm*—Hogan & Hartson LLP

(57) **CLAIM**

The ornamental design for a universal mount with tilt for a flat panel display, as shown and described.

DESCRIPTION

FIG. 1 is a top, right isometric view of an embodiment of a universal mount with tilt for a flat panel display showing our design.

FIG. 2 is a front elevational view thereof.

FIG. 3 is a rear elevational view thereof.

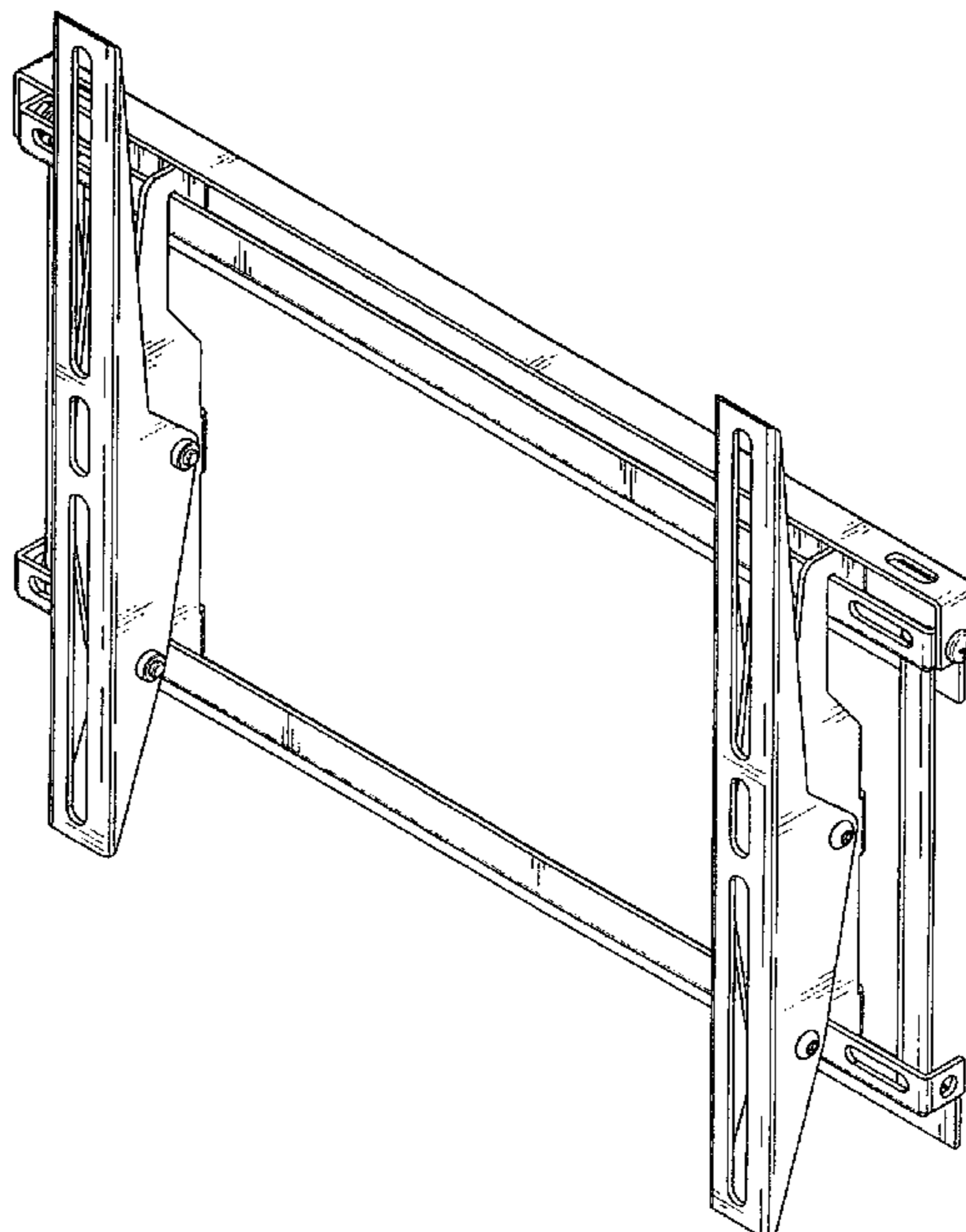
FIG. 4 is a right-side elevational view thereof; the left-side view is a mirror image of FIG. 4.

FIG. 5 is a top plan view thereof; and,

FIG. 6 is a bottom plan view thereof.

Elements identified in broken lines in the accompanying drawings form no part of the claimed invention.

1 Claim, 3 Drawing Sheets



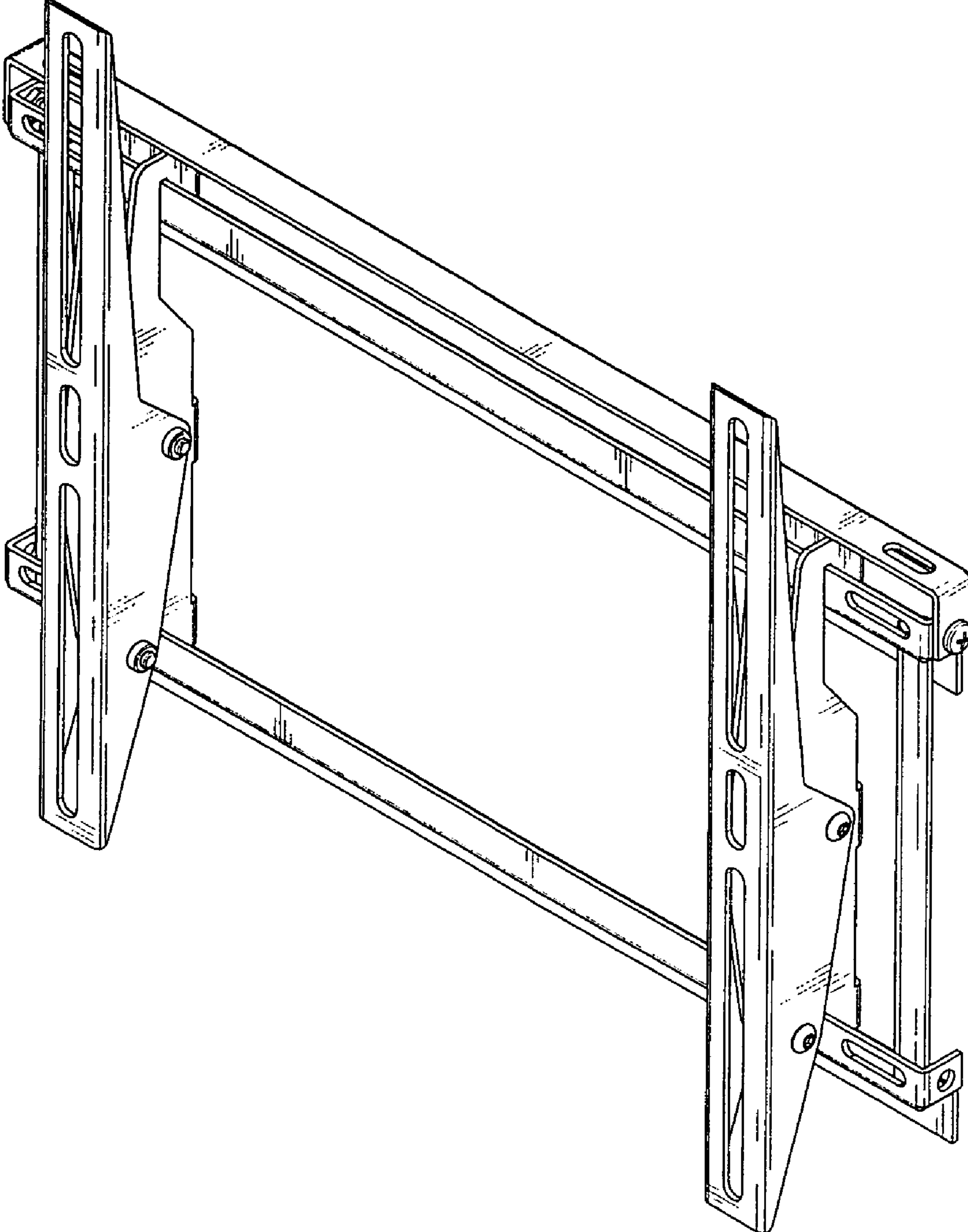


Fig. 1

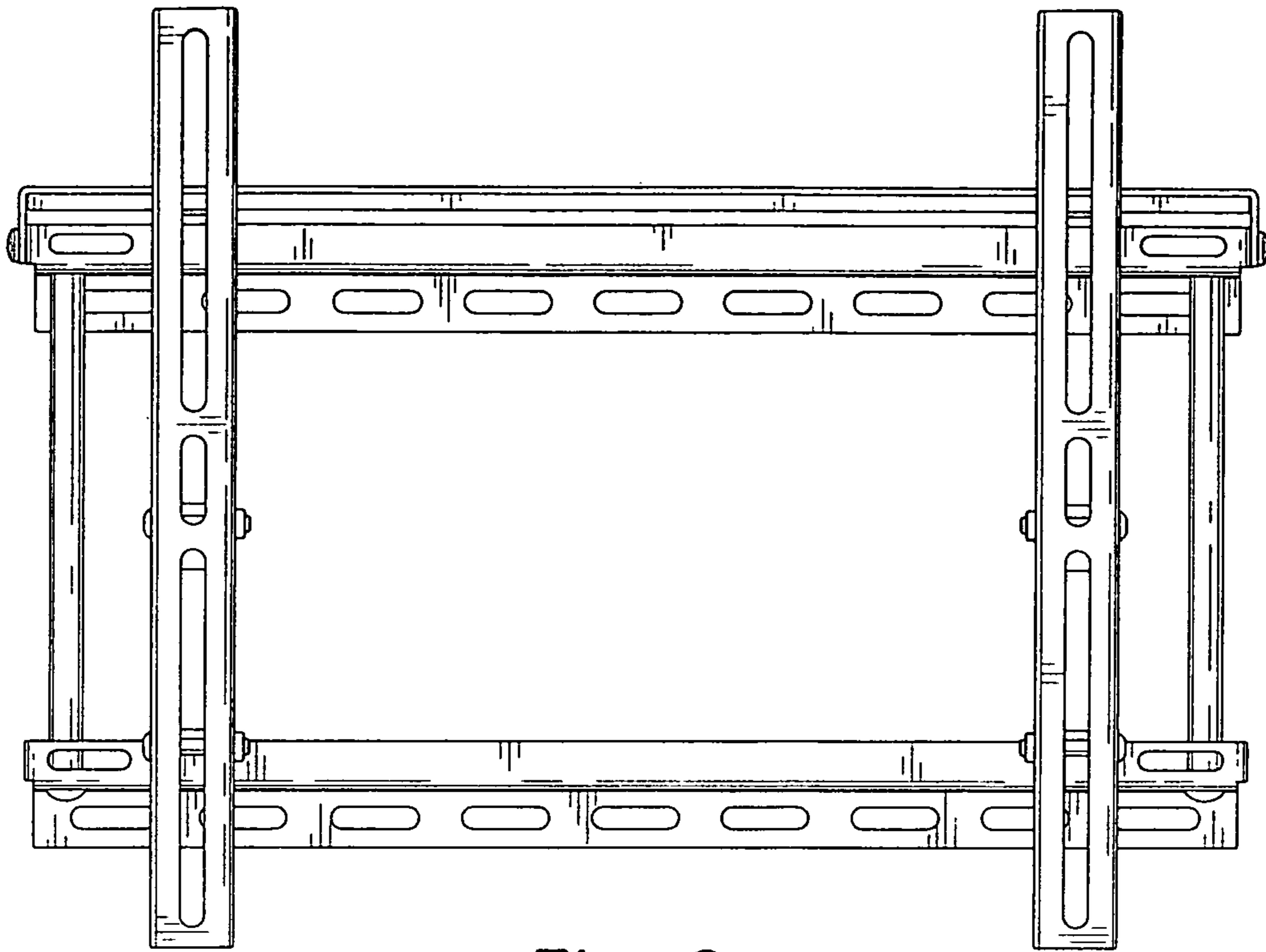


Fig. 2

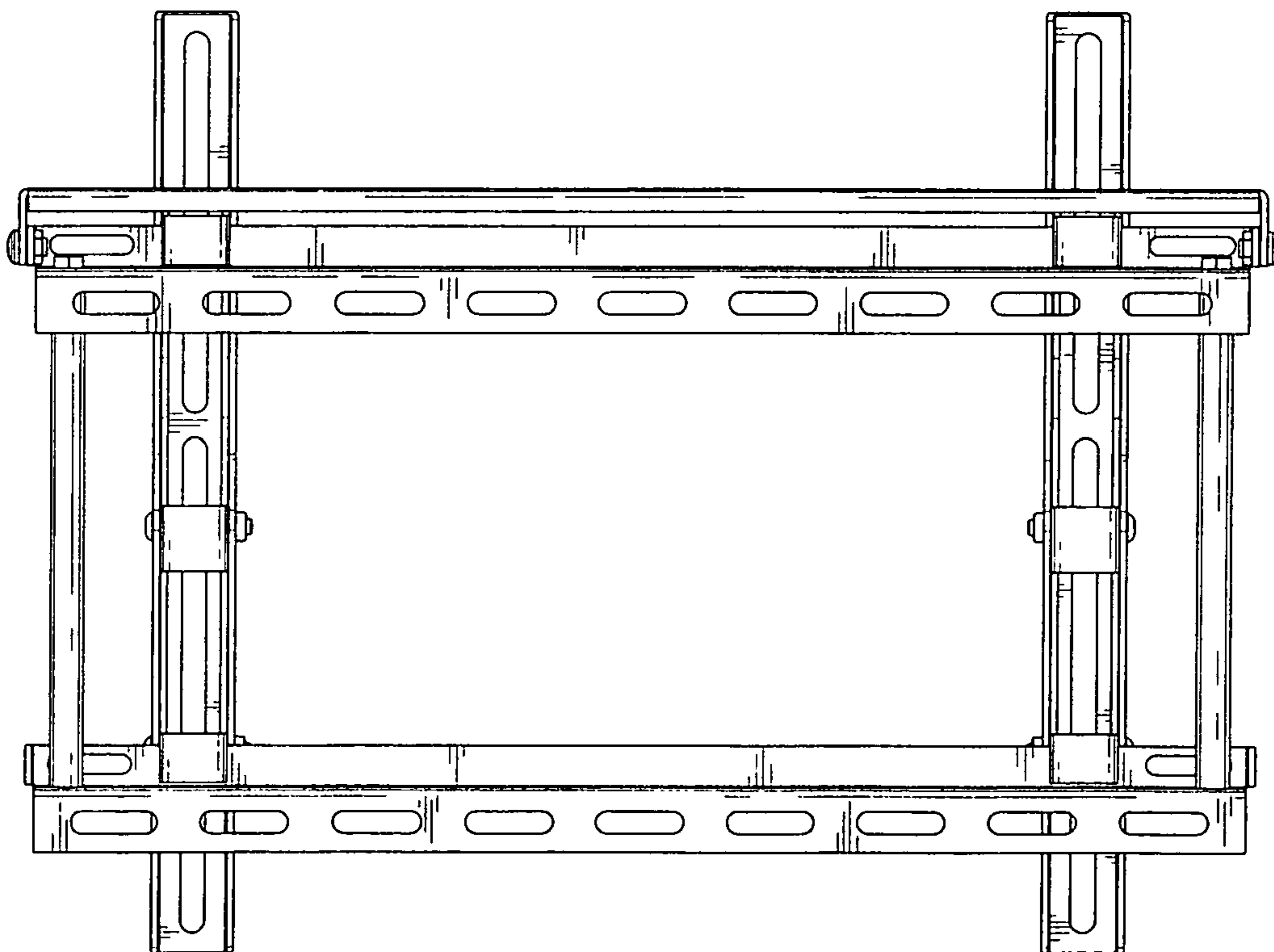


Fig. 3

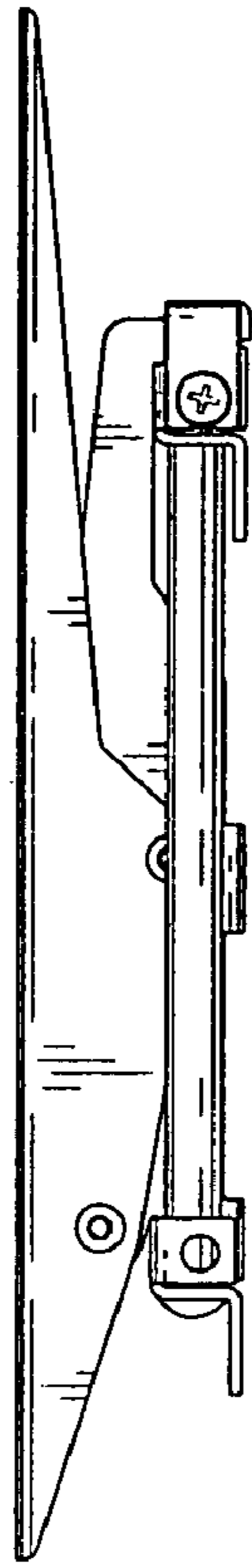


Fig. 4

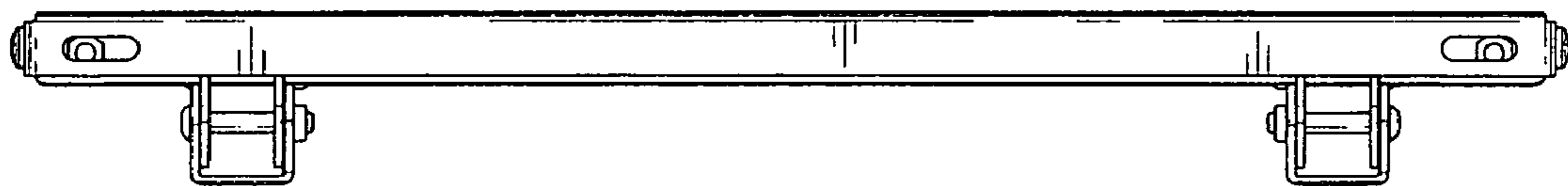


Fig. 5



Fig. 6