



US00D553123S

(12) **United States Design Patent**
Solland

(10) **Patent No.:** **US D553,123 S**

(45) **Date of Patent:** **** Oct. 16, 2007**

(54) **AUDIO AND DOCKING STATION FOR
HANDHELD ELECTRONIC DEVICE**

(75) Inventor: **Kurt Solland**, Westlake Village, CA
(US)

(73) Assignee: **Harman International Industries,
Incorporated**, Northridge, CA (US)

(**) Term: **14 Years**

(21) Appl. No.: **29/254,998**

(22) Filed: **Mar. 3, 2006**

(51) **LOC (8) Cl.** **14-02**

(52) **U.S. Cl.** **D14/217**

(58) **Field of Classification Search** D14/142,
D14/149, 217, 251, 253, 432, 434, 435, 447,
D14/496; D13/107, 108, 118; 248/221.11,
248/309.1; 320/107, 110, 113–115; 361/600,
361/679, 683, 686; 439/529, 534; 455/556.1,
455/556.2, 557

See application file for complete search history.

(56) **References Cited**

U.S. PATENT DOCUMENTS

D221,081 S 7/1971 Kahn
D244,550 S 5/1977 Zuroski
D300,678 S 4/1989 Barrault
D358,364 S 5/1995 Siddoway

(Continued)

OTHER PUBLICATIONS

MP3 Accessories, <http://www.mp3reference.com/mp3eaccess.htm>,
“JBL On Stage”, Dec. 31, 2005, 1pg. (Date provided via: Internet
Archive—Wayback Machine, http://web.archive.org/web/*/http://www.mp3reference.com/im3access.htm, Apr. 23, 2007, 1 pg.)*

2dayBlog.com, <http://www.2dayblog.com/blog/2006/10/04/the-radius-audio-docking-station/>, Oct. 4, 2006, 1 pg.*

Onkyo DS-A1 iPod Dock Adapter product print-out from on-line catalog, date unknown.

Primary Examiner—Stella Reid

Assistant Examiner—Keli' L. Acker

(74) *Attorney, Agent, or Firm*—Plumsea Law Group, LLC

(57) **CLAIM**

The ornamental design for an audio and docking station for handheld electronic device, as shown and described.

DESCRIPTION

FIG. 1 is a perspective view of an audio and docking station for handheld electronic device showing my new design;

FIG. 2 is a side elevational view of one side, the opposite side elevational view being a mirror image thereof;

FIG. 3 is a front elevational view thereof;

FIG. 4 is a top plan view thereof;

FIG. 5 is a perspective view illustrating the positioning of the handheld electronic device;

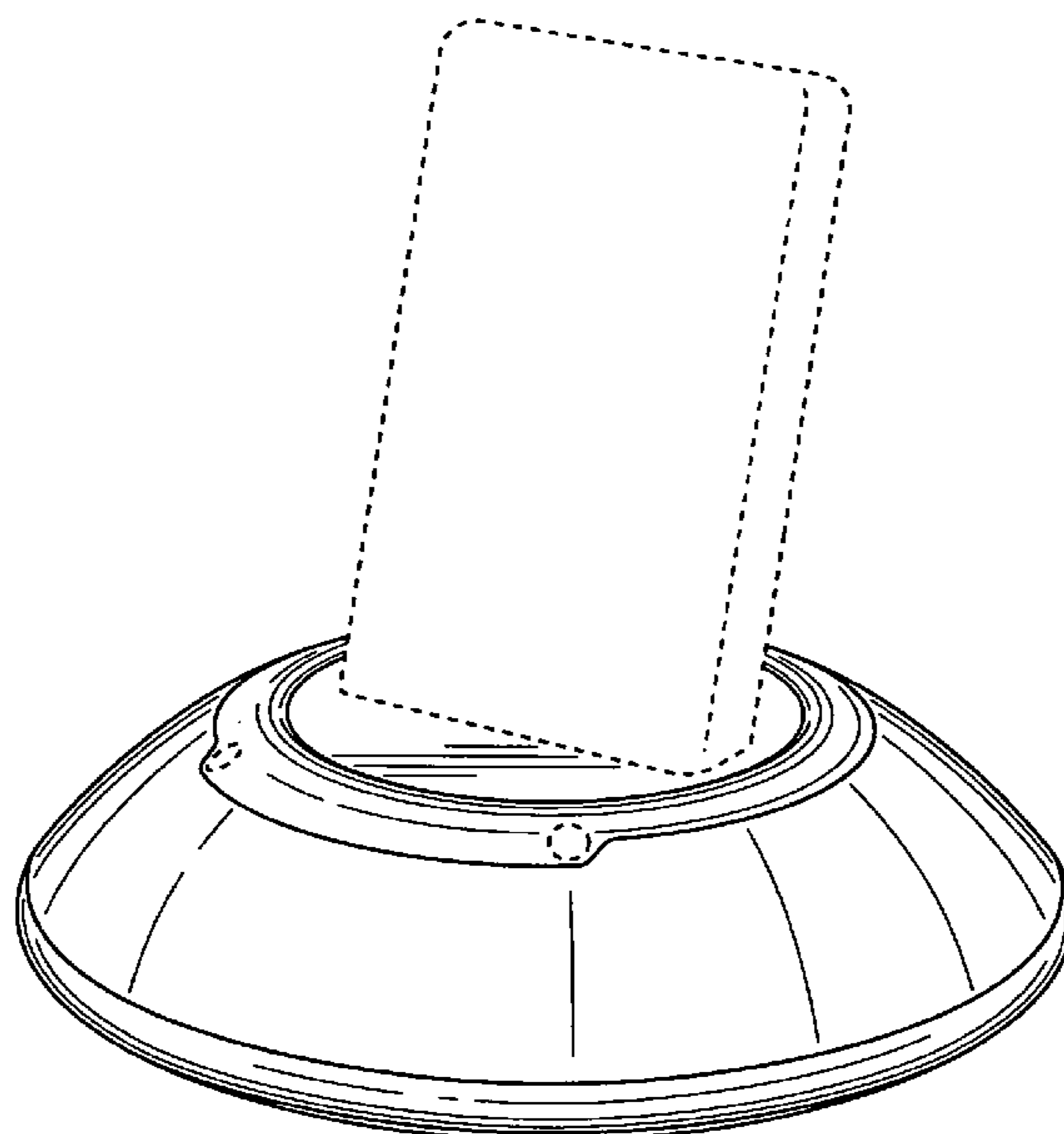
FIG. 6 is a side view illustrating the positioning of the handheld electronic device;

FIG. 7 is a front view illustrating the positioning of the handheld electronic device; and,

FIG. 8 is a top plan view illustrating the positioning of the handheld electronic device.

The broken line showings of the circles on the front, the rectangle on the top, and the lines and ports on the rear, as well as the handheld electronic device in FIGS. 5–8 are for illustrative purposes only and form no part of the claimed design.

1 Claim, 4 Drawing Sheets



US D553,123 S

Page 2

U.S. PATENT DOCUMENTS

D359,052 S	6/1995	Nagele et al.	
D361,979 S	9/1995	Shirakawa et al.	
D426,533 S *	6/2000	Hughes et al.	D14/149
D430,142 S	8/2000	Kuo et al.	
D433,994 S *	11/2000	Jobs et al.	D13/110
D459,299 S	6/2002	Hughes et al.	
D467,241 S	12/2002	Solland	
D467,539 S	12/2002	Kataoka	
D468,305 S	1/2003	Ma et al.	
D471,578 S	3/2003	Okuley	
D478,884 S	8/2003	Slipy et al.	
D480,376 S	10/2003	Ma	
D508,458 S	8/2005	Solland et al.	
D527,704 S *	9/2006	Rodarte	D13/108
D528,979 S *	9/2006	Franck et al.	D13/108
D535,614 S *	1/2007	Majanen et al.	D13/108

* cited by examiner

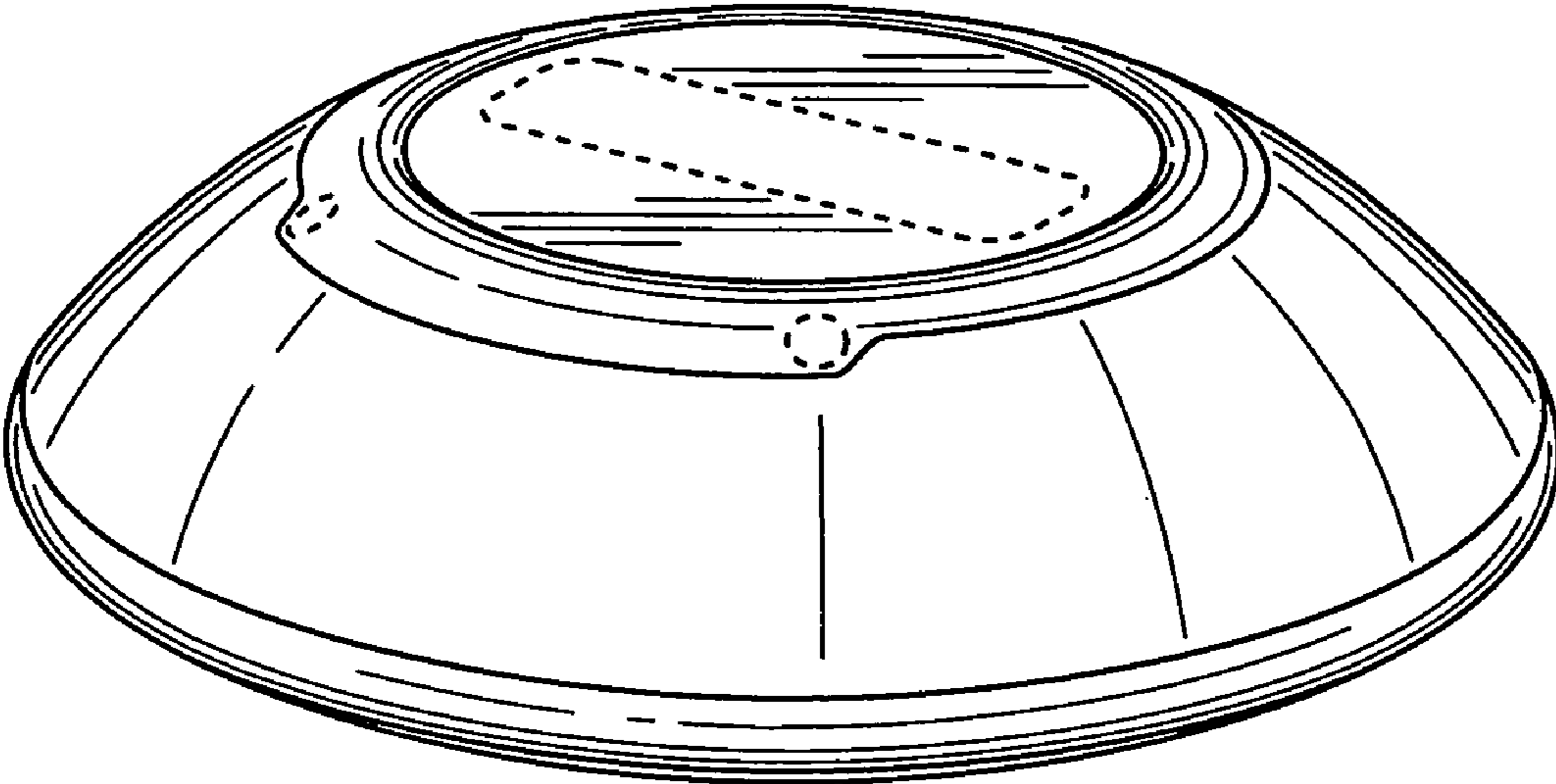


FIG. 1

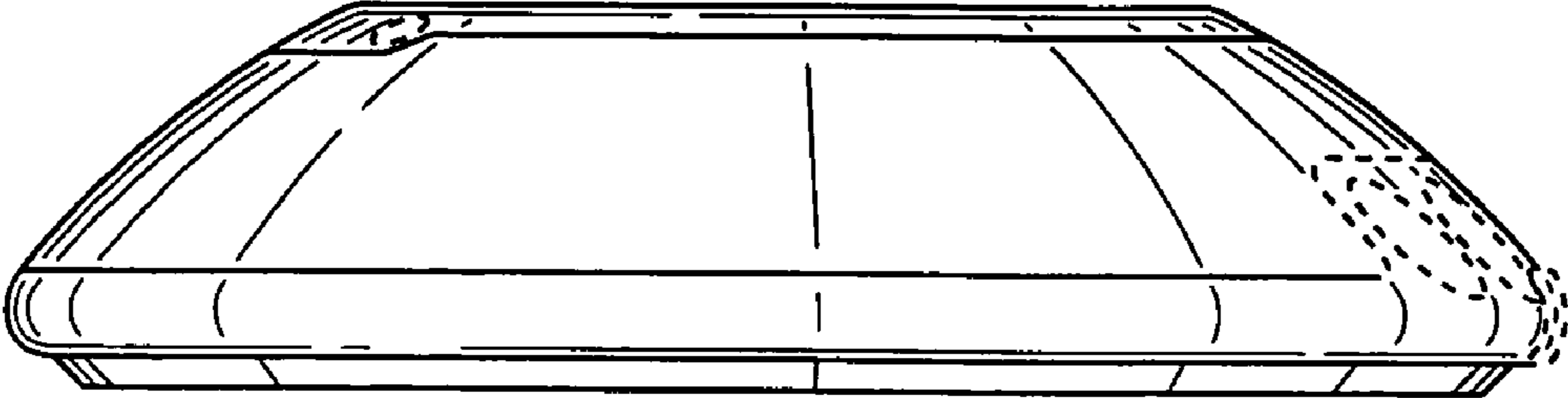


FIG. 2

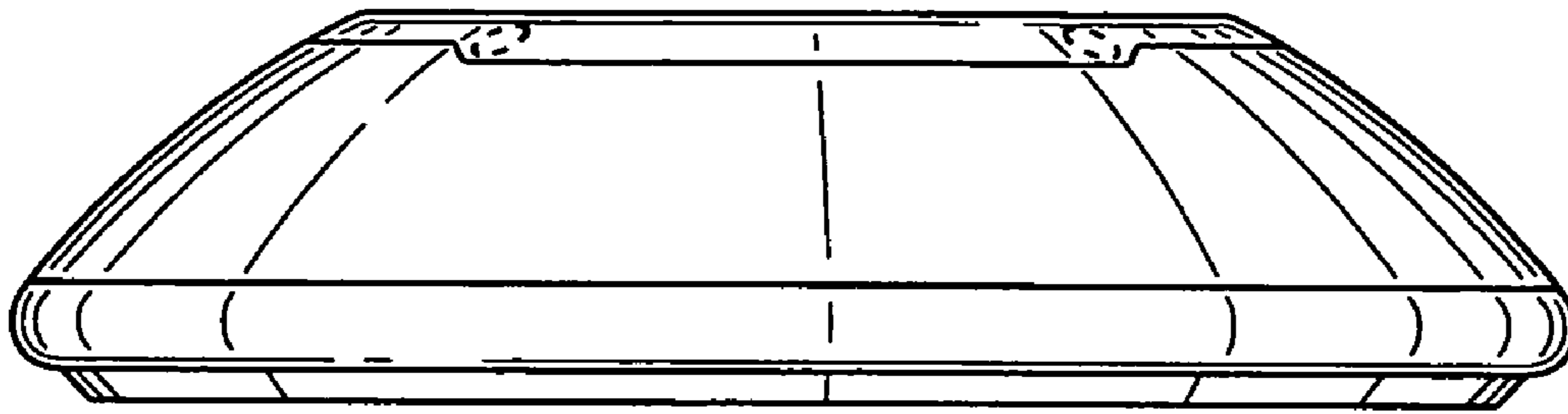


FIG. 3

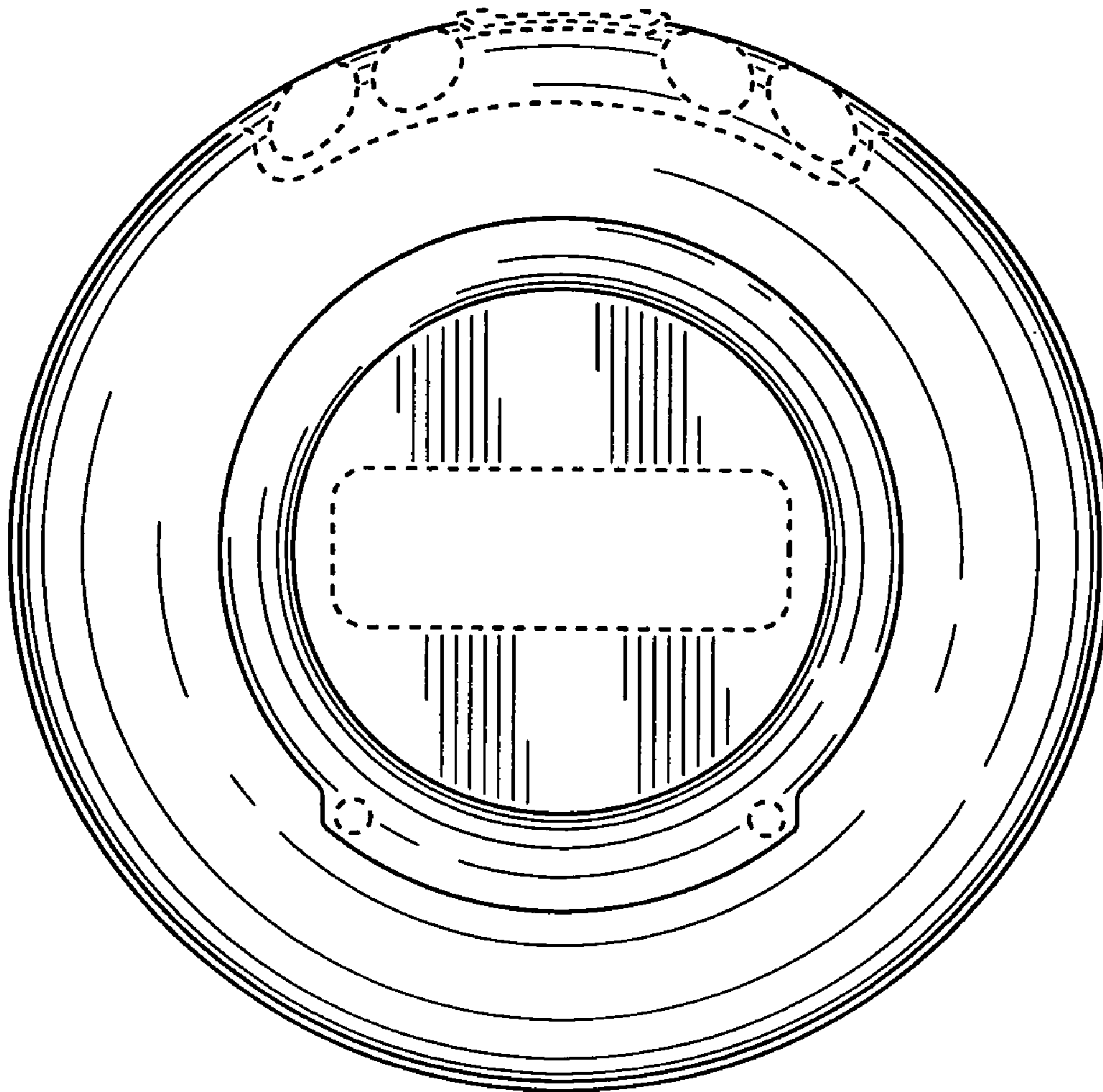


FIG. 4

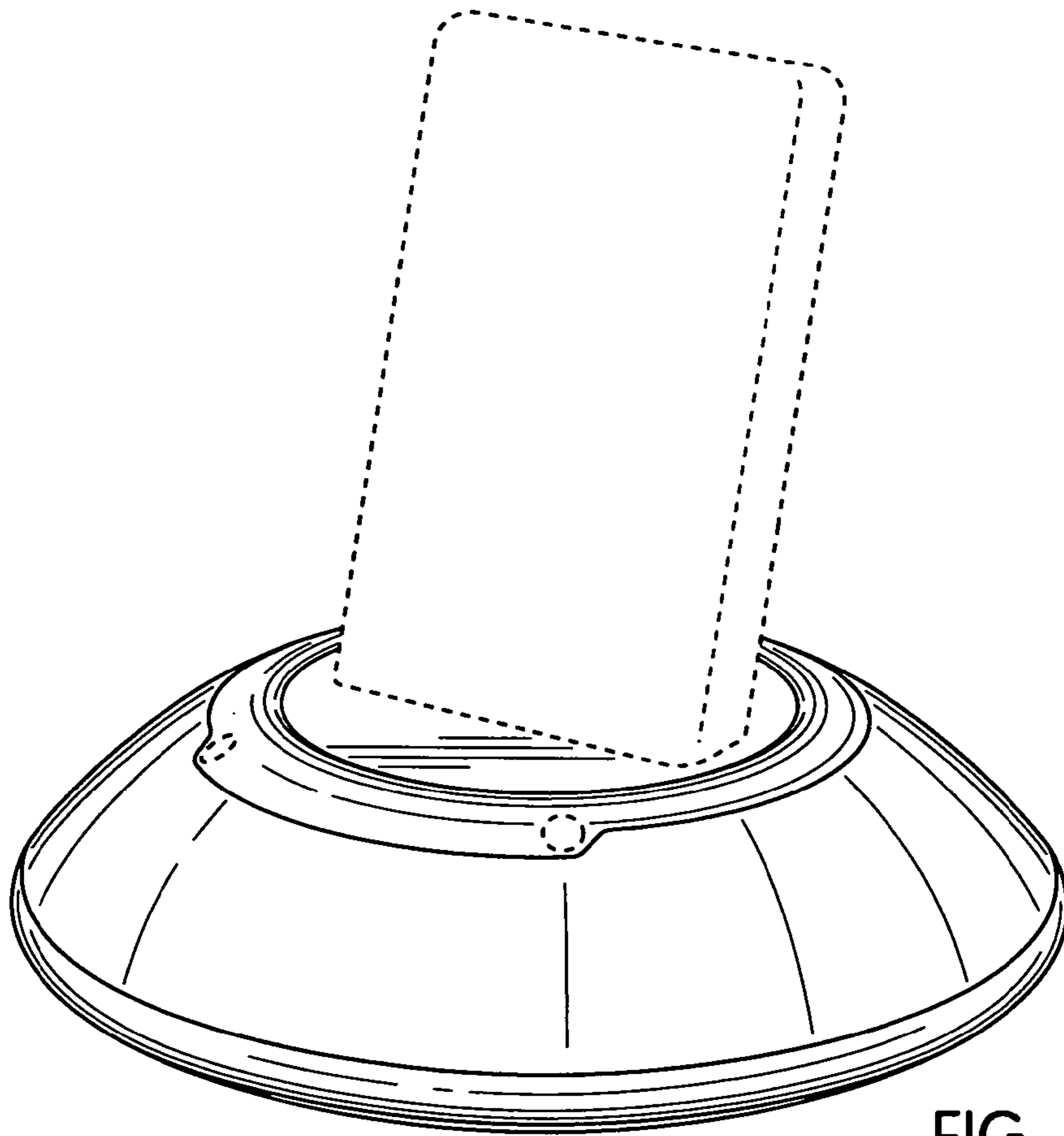


FIG. 5

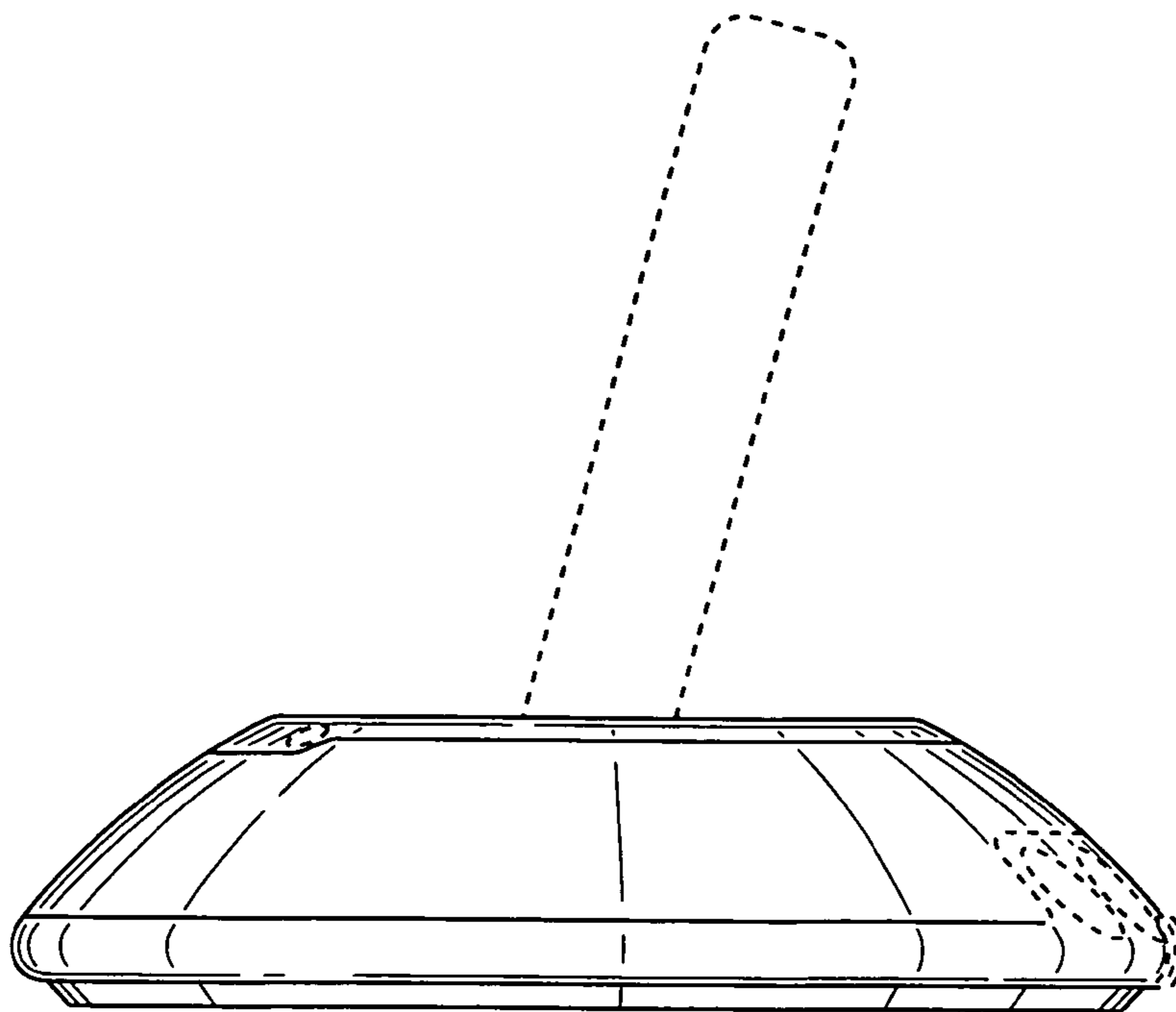


FIG. 6

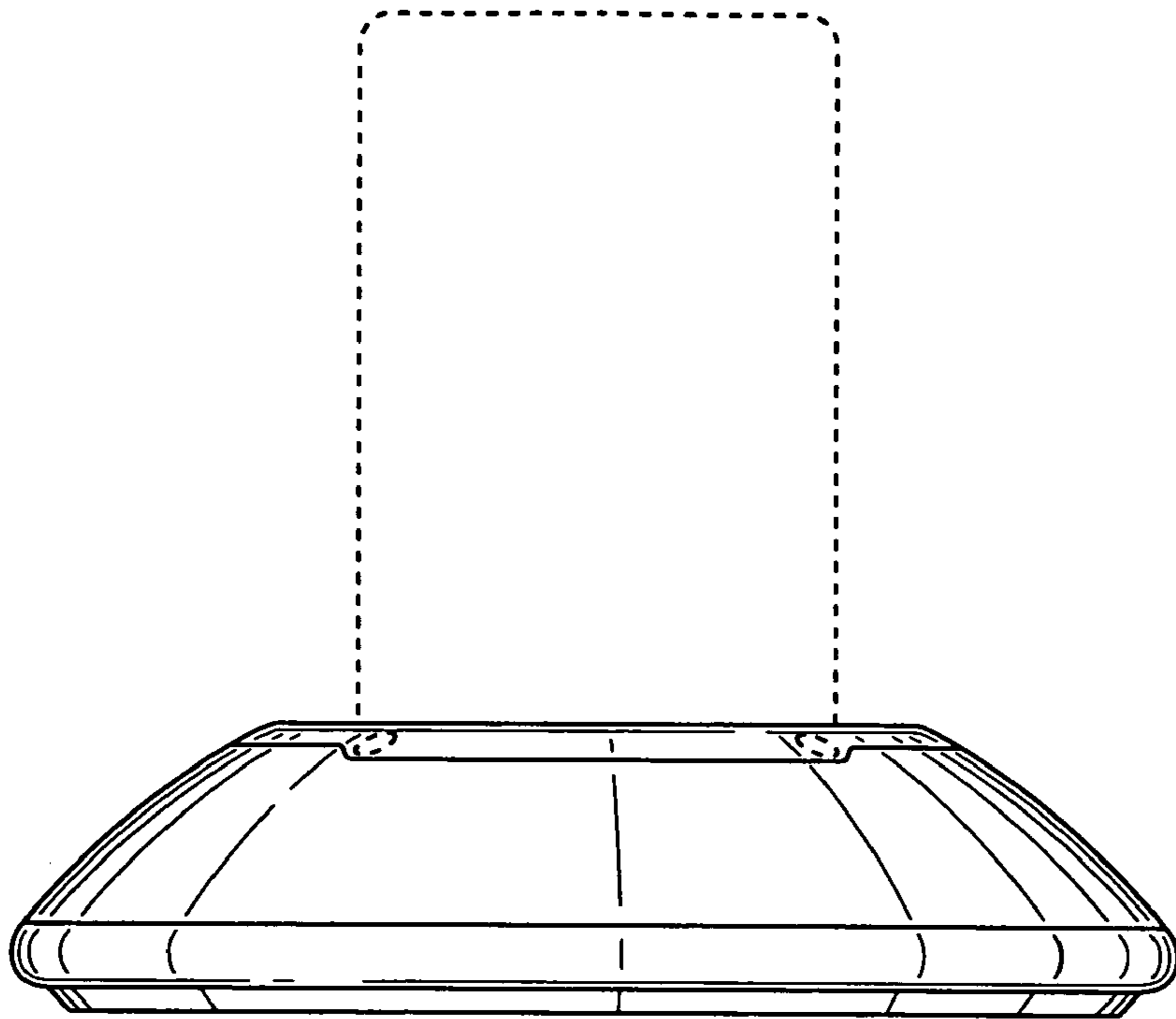


FIG. 7

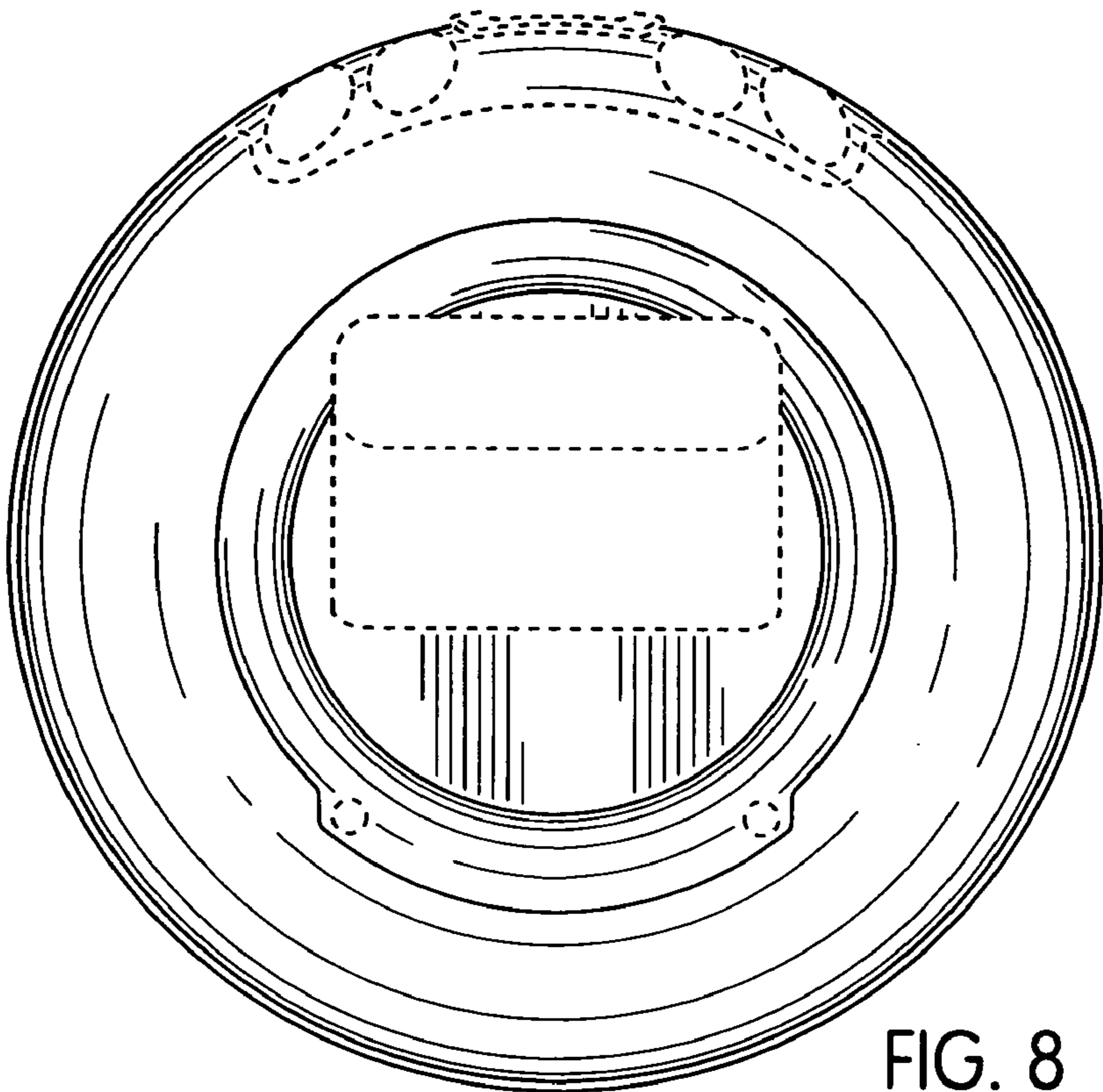


FIG. 8