



US00D553122S

(12) **United States Design Patent** (10) **Patent No.:** **US D553,122 S**  
**Solland** (45) **Date of Patent:** **\*\* Oct. 16, 2007**

(54) **AUDIO AND DOCKING STATION FOR HANDHELD ELECTRONIC DEVICE**

Onkyo DS-A1 iPod Dock Adapter product print-out from on-line catalog, date unknown.

(75) Inventor: **Kurt Solland**, Westlake Village, CA (US)

*Primary Examiner*—Stella Reid  
*Assistant Examiner*—Keli' L. Acker

(73) Assignee: **Harman International Industries, Incorporated**, Northridge, CA (US)

(74) *Attorney, Agent, or Firm*—Plumsea Law Group, LLC

(\*\*) Term: **14 Years**

(57) **CLAIM**

(21) Appl. No.: **29/254,987**

The ornamental design for an audio and docking station for handheld electronic device, as shown and described.

(22) Filed: **Mar. 3, 2006**

**DESCRIPTION**

(51) **LOC (8) Cl.** ..... **14-02**

(52) **U.S. Cl.** ..... **D14/217**

(58) **Field of Classification Search** ..... D14/142,  
D14/149, 217, 251, 253, 432, 434, 435, 447,  
D14/496; D13/107, 108, 118; 248/221.11,  
248/309.1; 320/107, 110, 113–115; 361/600,  
361/679, 683, 686; 439/529, 534; 455/556.1,  
455/556.2, 557

See application file for complete search history.

FIG. 1 is a perspective view of an audio and docking station for handheld electronic device showing my new design;

FIG. 2 is a side elevational view of one side, the opposite side elevational view being a mirror image thereof;

FIG. 3 is a front elevational view thereof;

FIG. 4 is a top plan view thereof;

FIG. 5 is a perspective view illustrating the positioning of the handheld electronic device;

FIG. 6 is a side view illustrating the positioning of the handheld electronic device;

FIG. 7 is a front view illustrating the positioning of the handheld electronic device; and,

FIG. 8 is a top plan view illustrating the positioning of the handheld electronic device.

(56) **References Cited**

**U.S. PATENT DOCUMENTS**

D221,081 S 7/1971 Kahn  
D244,550 S 5/1977 Zuroski

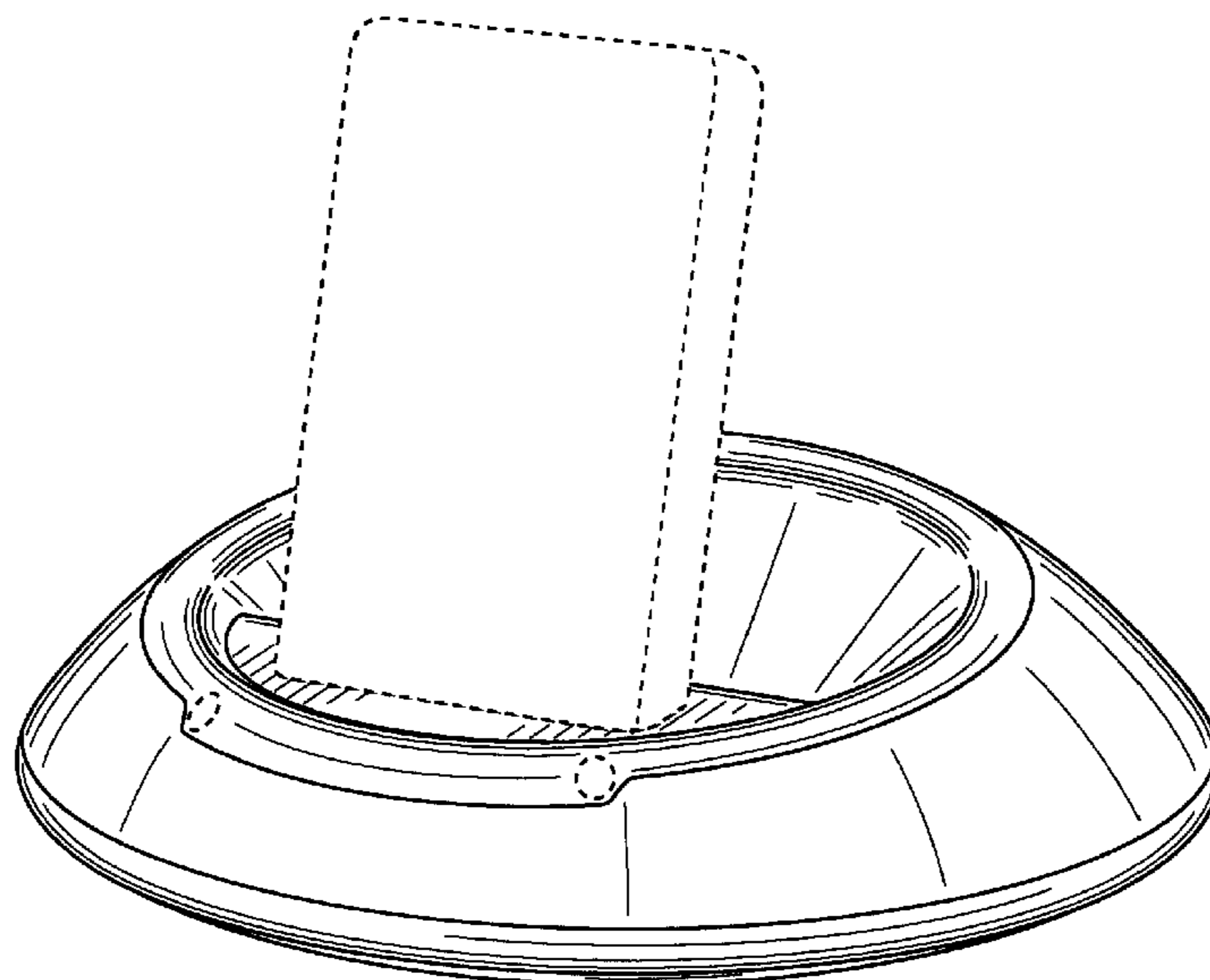
(Continued)

**OTHER PUBLICATIONS**

MP3 Accessories, <http://www.mp3reference.com/mp3access.htm>, "JBL On Stage", Dec. 31, 2005, 1pg. (Date Retrieved Via: Internet Archive—Wayback Machine, [http://web.archive.org/web/\\*/http://www.mp3reference.com/mp3access.htm](http://web.archive.org/web/*/http://www.mp3reference.com/mp3access.htm), Apr. 24, 2007, 1 pg.)\*  
2dayBlog.com, <http://www.2dayblog.com/blog/2006/10/04/the-radius-audio-docking-station/>, Oct. 4, 2006, 1 pg.\*

The broken line showings of the circles on the front, the rectangle on the top, and the lines and ports on the rear, as well as the handheld electronic device in FIGS. 5–8 are for illustrative purposes only and form no part of the claimed design.

**1 Claim, 5 Drawing Sheets**



# US D553,122 S

Page 2

---

## U.S. PATENT DOCUMENTS

D274,048 S *	5/1984	Wong et al. ....	D10/106	D467,539 S	12/2002	Kataoka	
D300,678 S	4/1989	Barrault		D468,305 S	1/2003	Ma et al.	
D358,364 S	5/1995	Siddoway		D471,578 S	3/2003	Okuley	
D359,052 S	6/1995	Nagele et al.		D478,884 S	8/2003	Slipy et al.	
D361,979 S	9/1995	Shirakawa et al.		D480,376 S	10/2003	Ma	
D409,563 S *	5/1999	Haase et al. ....	D13/107	D508,458 S	8/2005	Solland et al.	
D426,533 S *	6/2000	Hughes et al. ....	D14/149	D511,952 S *	11/2005	Wright .....	D8/62
D430,142 S	8/2000	Kuo et al.		D516,025 S *	2/2006	Quinn .....	D13/108
D459,299 S	6/2002	Hughes et al.		D524,730 S *	7/2006	Vu .....	D13/108
D467,241 S	12/2002	Solland					

\* cited by examiner

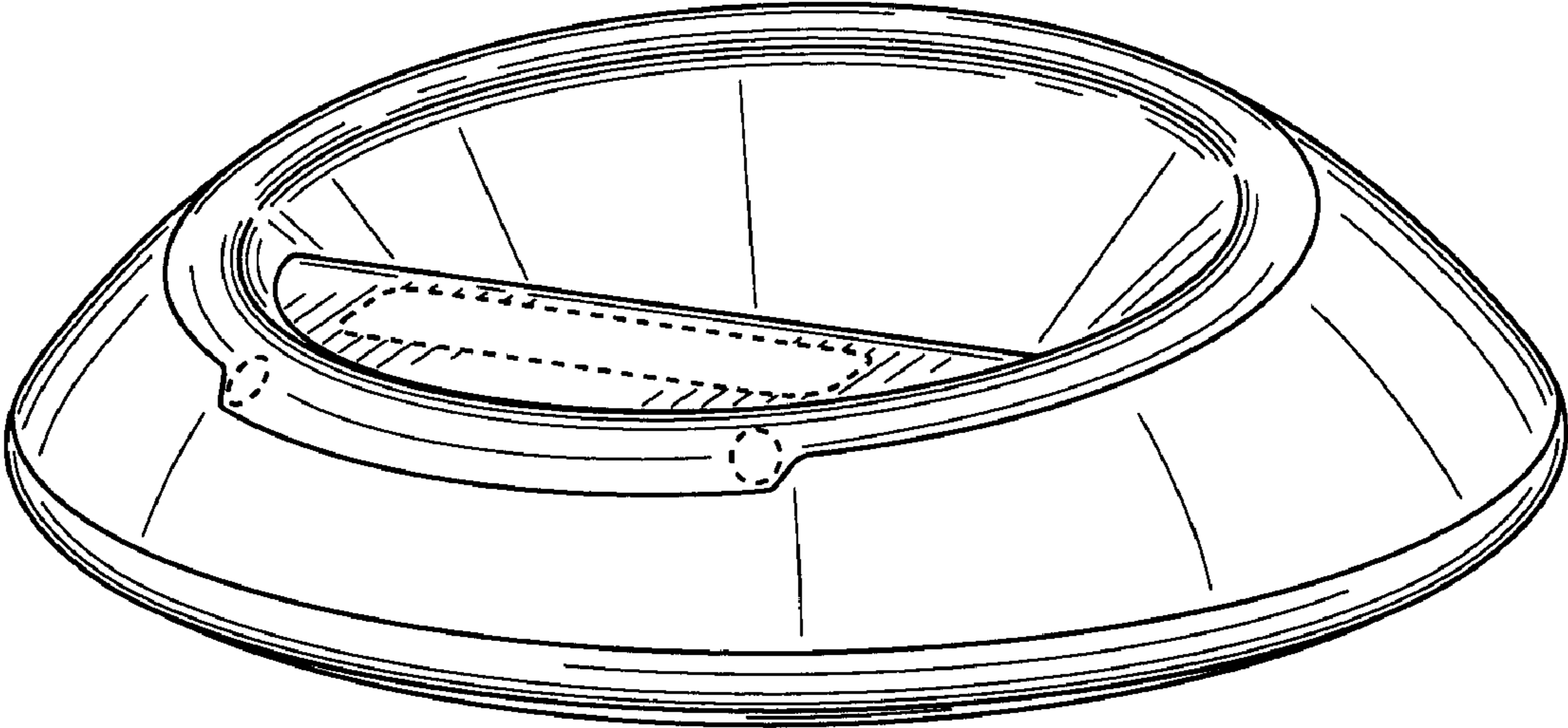


FIG. 1

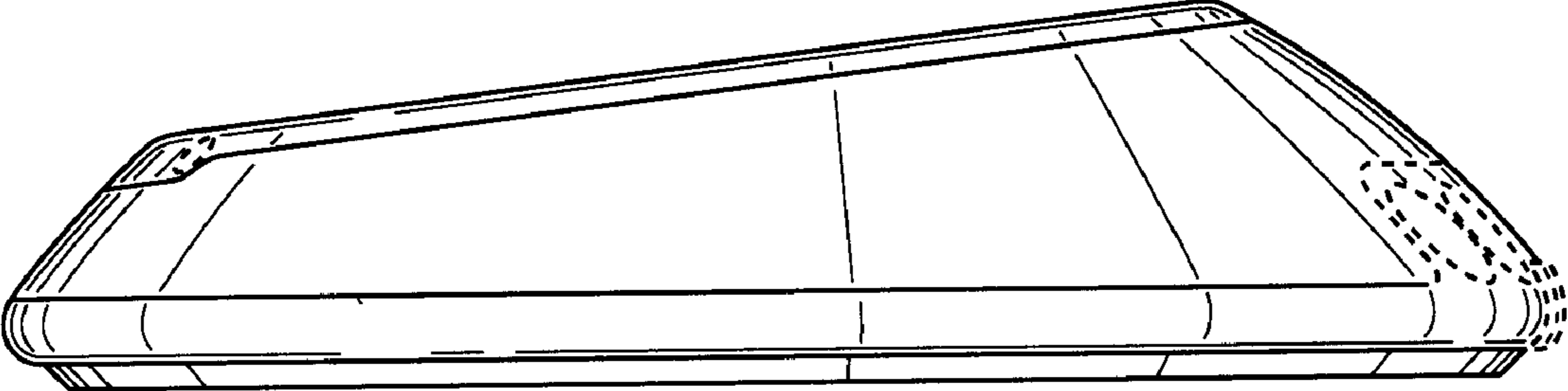


FIG. 2

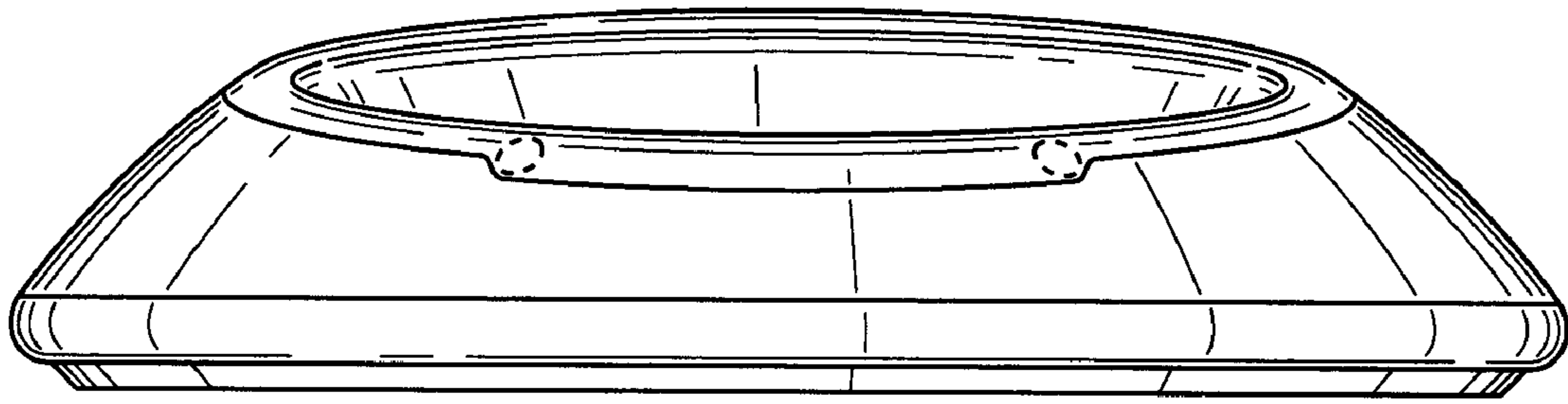


FIG. 3

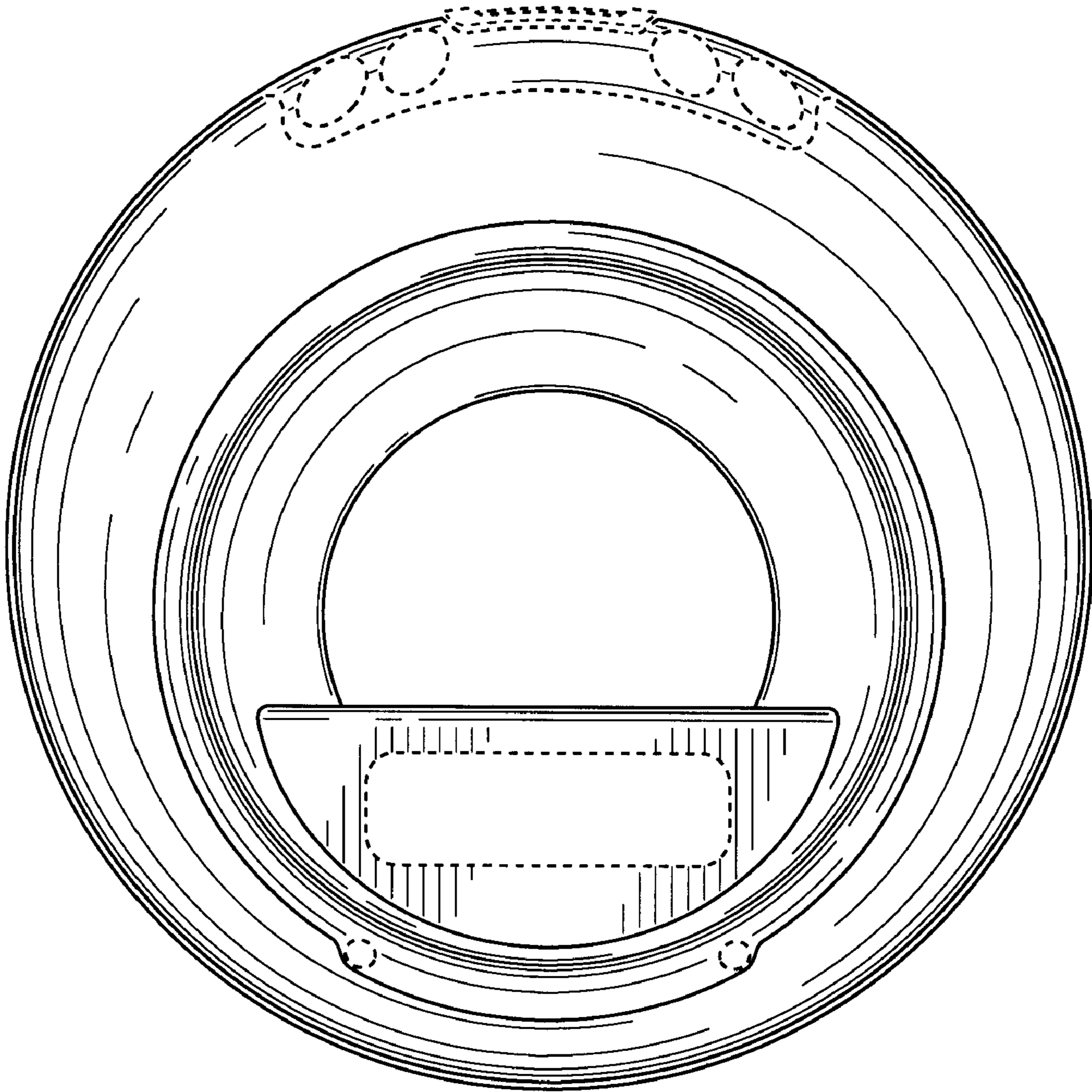


FIG. 4

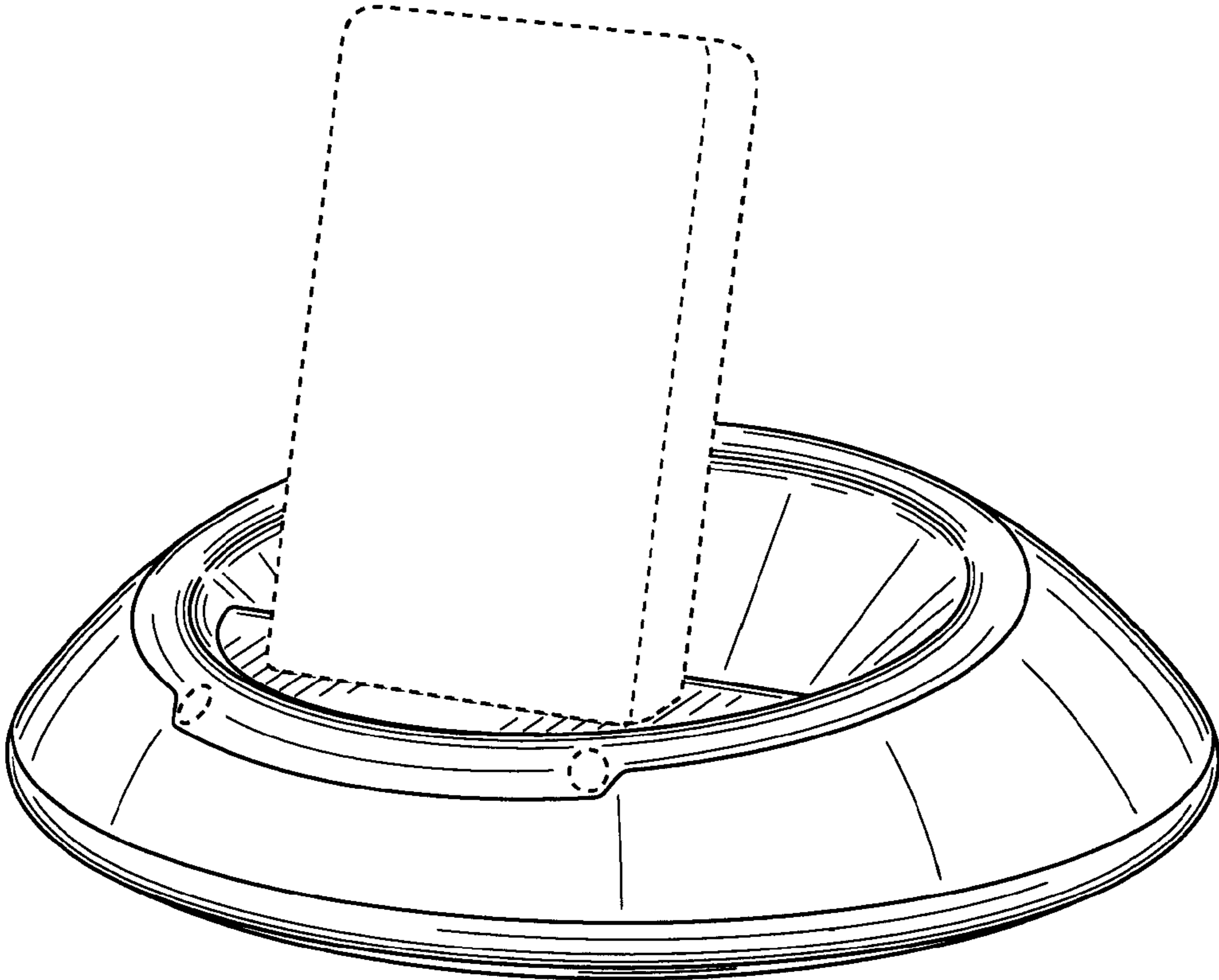


FIG. 5

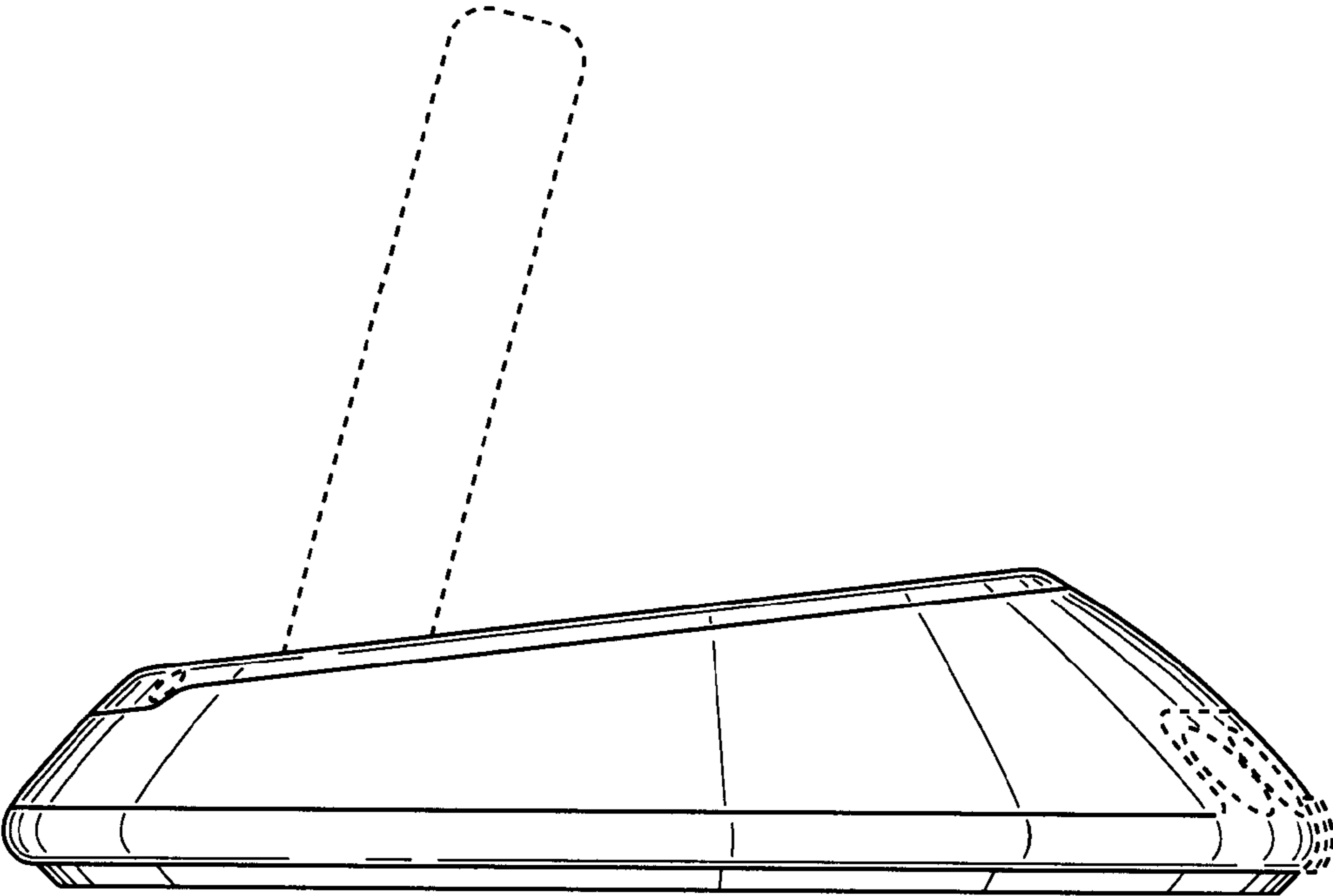


FIG. 6

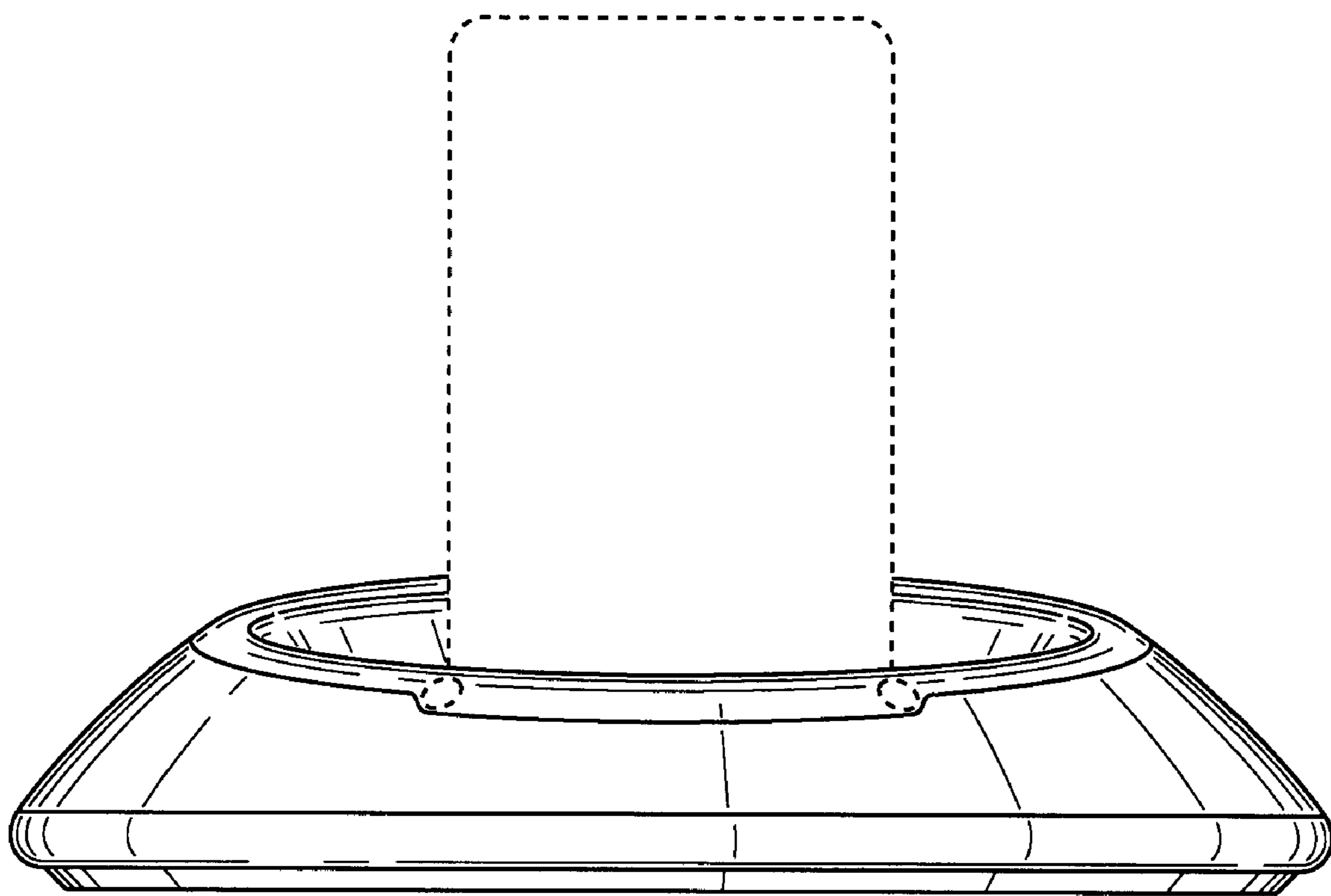


FIG. 7

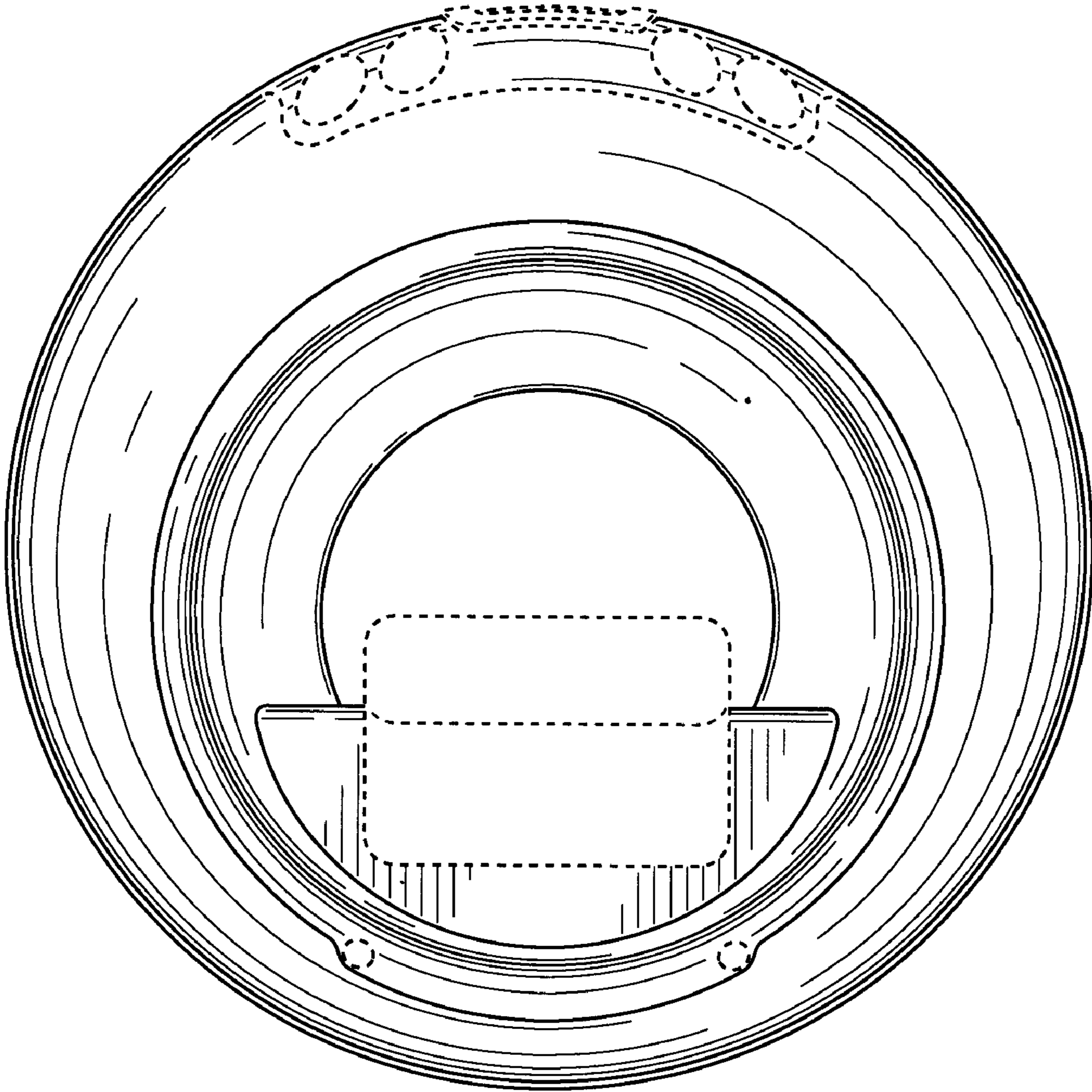


FIG. 8