



US00D553121S

(12) **United States Design Patent**  
**Gondo et al.**

(10) **Patent No.:** **US D553,121 S**

(45) **Date of Patent:** **\*\* Oct. 16, 2007**

(54) **SPEAKER**

(75) Inventors: **Makoto Gondo**, Kanagawa (JP); **Akiko Yokoyama**, Kanagawa (JP); **Shinichi Ohtsuki**, Kanagawa (JP); **Masaya Mihara**, Kanagawa (JP)

(73) Assignee: **Victor Company of Japan, Limited**, Kanagawa (JP)

(\*\*) Term: **14 Years**

(21) Appl. No.: **29/264,326**

(22) Filed: **Aug. 8, 2006**

(30) **Foreign Application Priority Data**

Feb. 8, 2006 (JP) ..... 2006-002762

(51) **LOC (8) Cl.** ..... **14-01**

(52) **U.S. Cl.** ..... **D14/216; D14/168**

(58) **Field of Classification Search** ..... D14/204, D14/209-216; 181/143-144, 147-148, 150, 181/157, 198-199, 151, 153; 381/300-302, 381/306, 333, 345, 361-364, 386-388, 332, 381/336

See application file for complete search history.

(56) **References Cited**

**U.S. PATENT DOCUMENTS**

D223,580 S \* 5/1972 Richards ..... D14/215

4,756,382 A \* 7/1988 Hudson, III ..... 181/156  
5,286,928 A \* 2/1994 Borland ..... 181/153  
D384,350 S \* 9/1997 Nuevo et al. .... D14/168  
D436,943 S \* 1/2001 Hayashi et al. .... D14/168

\* cited by examiner

*Primary Examiner*—Nanda Bondade

(74) *Attorney, Agent, or Firm*—Osha Liang LLP

(57) **CLAIM**

The ornamental design for a speaker, as shown and described.

**DESCRIPTION**

FIG. 1 is a perspective view of a speaker according to the invention;

FIG. 2 is a front view thereof;

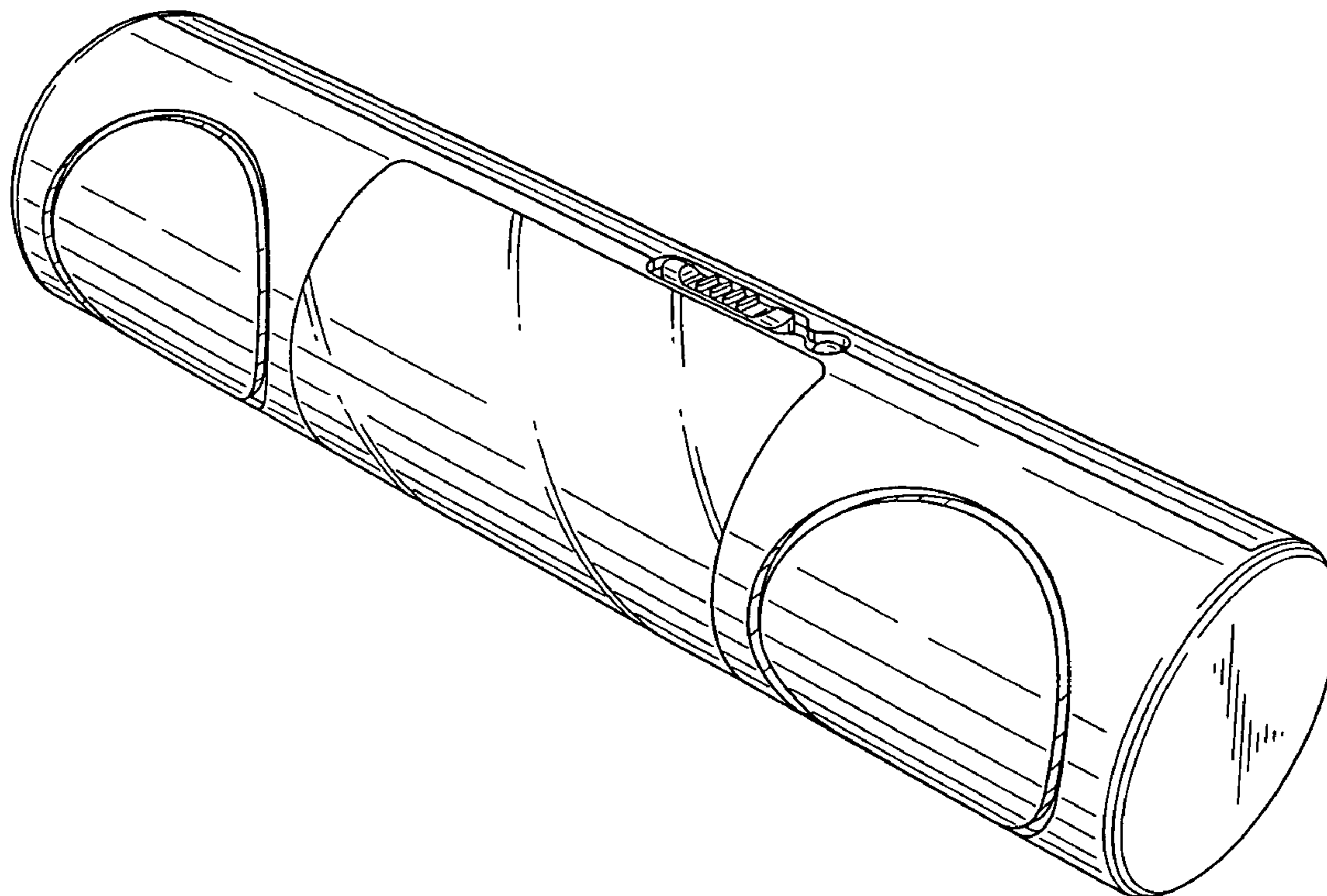
FIG. 3 is a rear view thereof;

FIG. 4 is a top view thereof;

FIG. 5 is a bottom view thereof; and,

FIG. 6 is a right side view thereof.

**1 Claim, 2 Drawing Sheets**



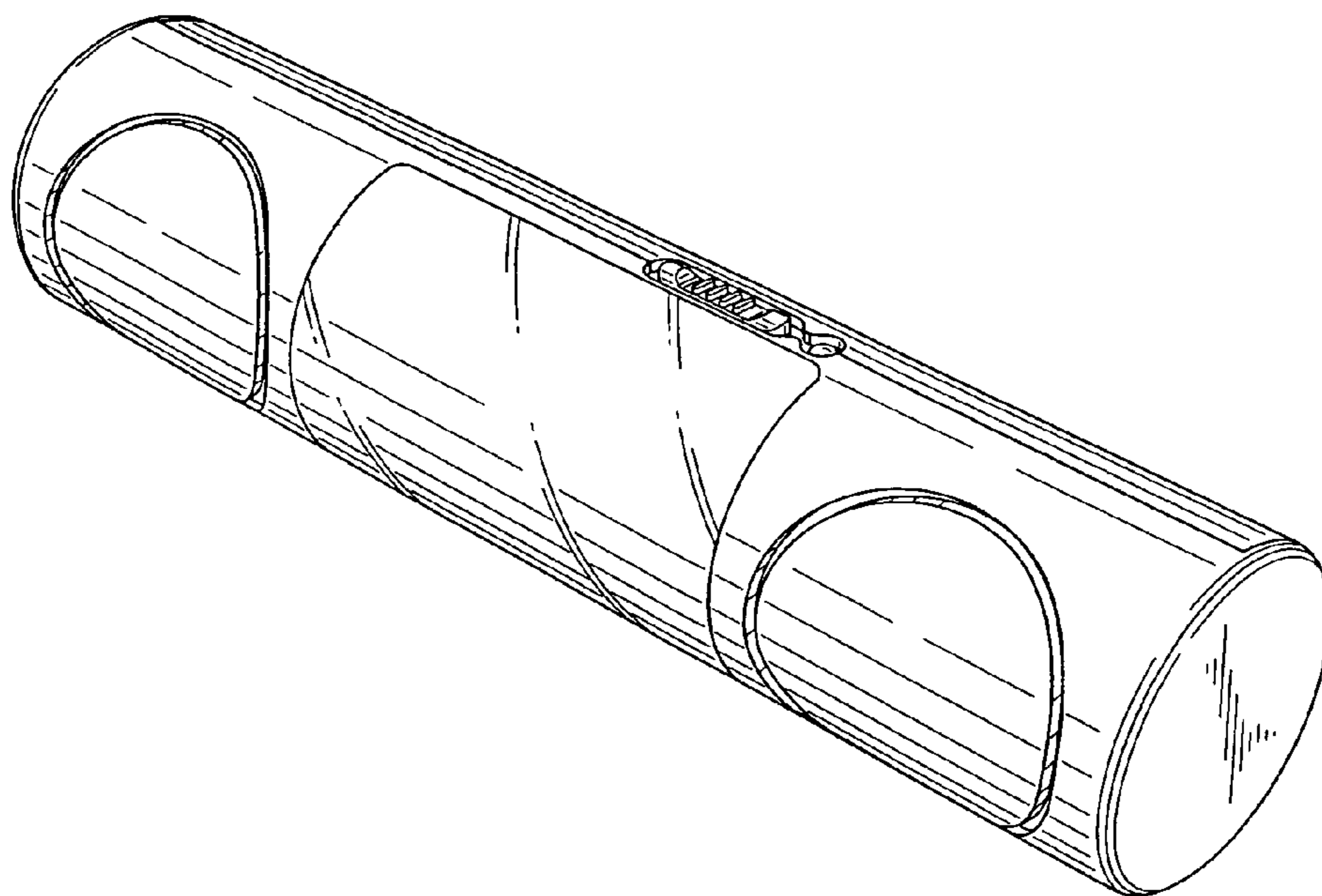


FIG. 1

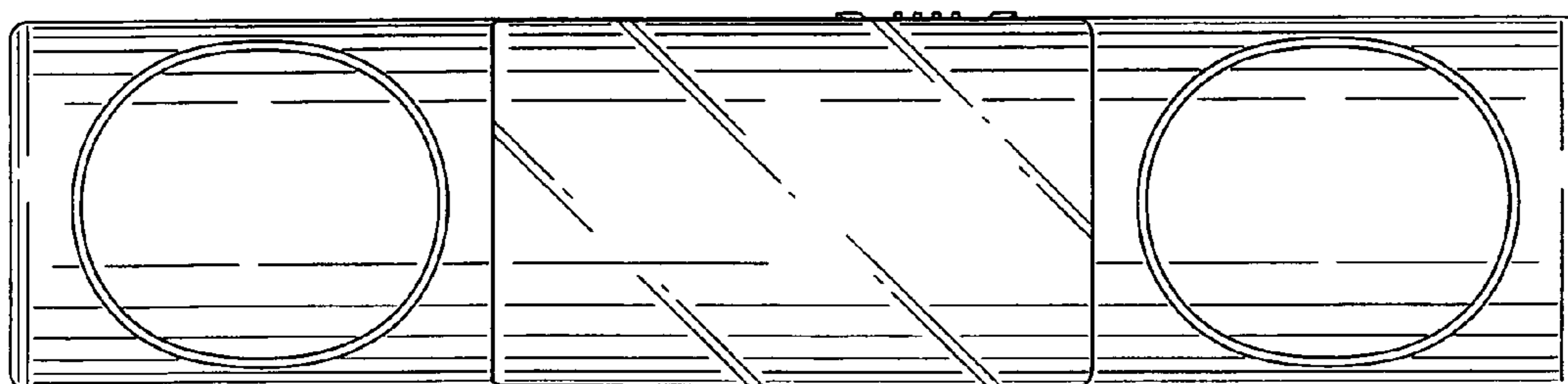


FIG. 2

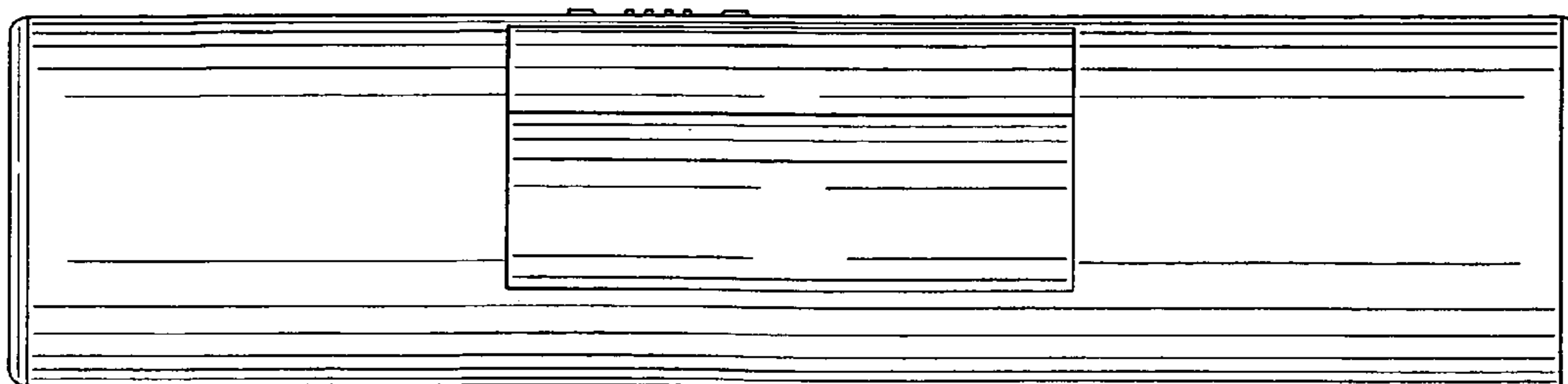


FIG. 3

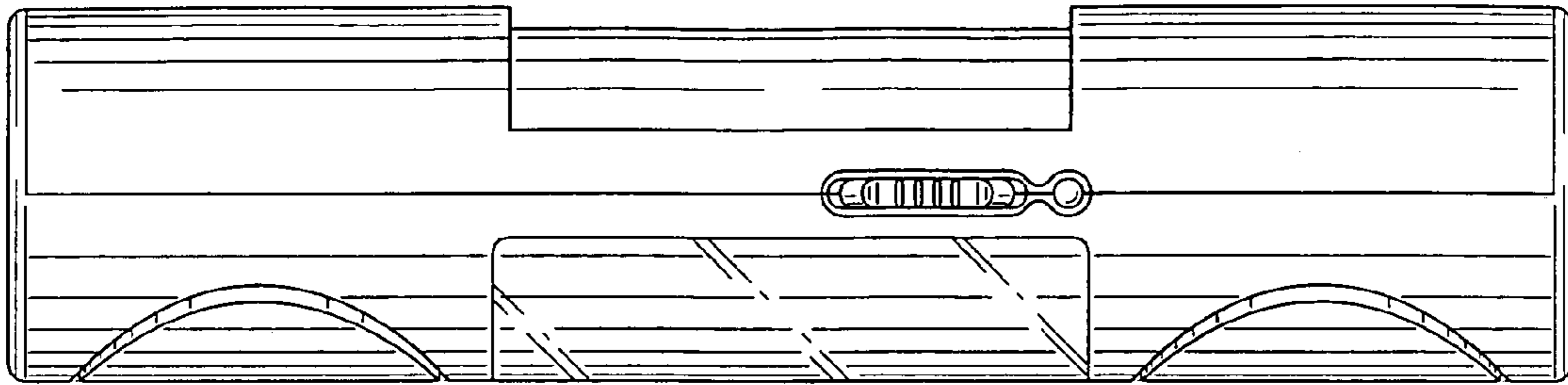


FIG. 4

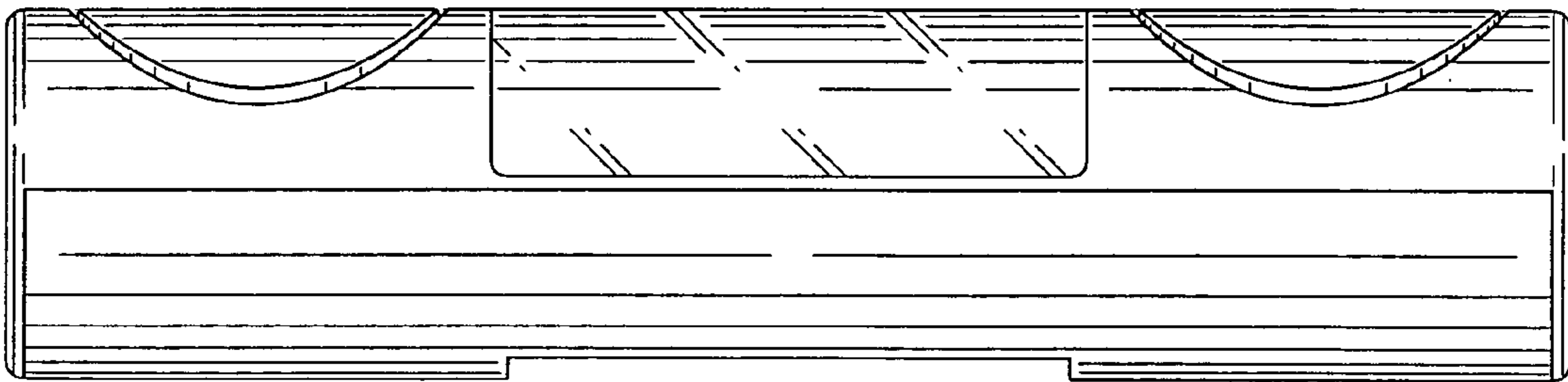


FIG. 5

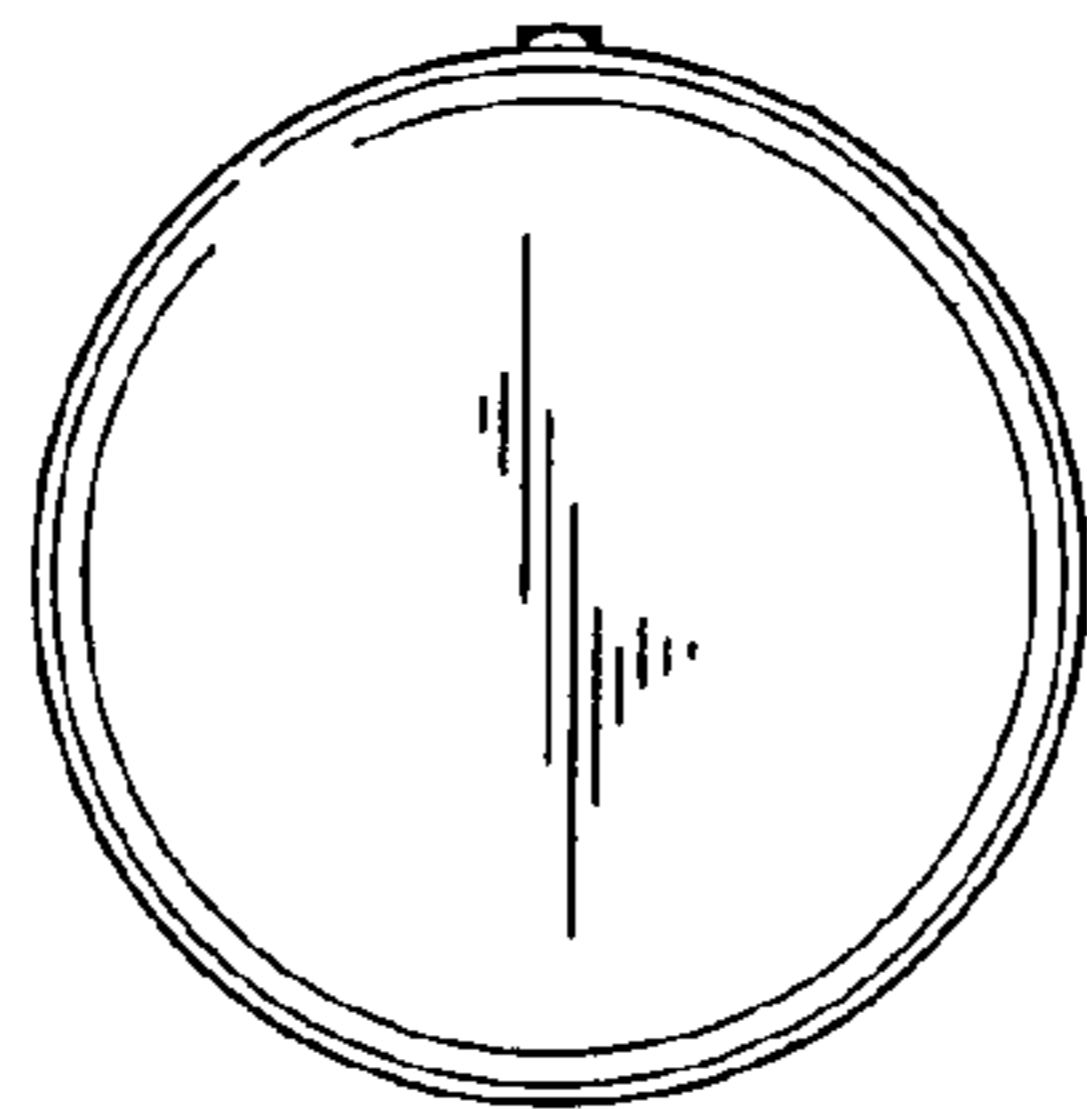


FIG. 6