



US00D553120S

(12) **United States Design Patent** (10) **Patent No.:** **US D553,120 S**
Yano (45) **Date of Patent:** **** Oct. 16, 2007**

(54) **COMBINED SPEAKER BOX AND POWER SUPPLY ADAPTOR**

Primary Examiner—Nanda Bondade
(74) *Attorney, Agent, or Firm*—Rader, Fishman & Grauer PLLC

(75) Inventor: **Ken Yano**, Tokyo (JP)

(73) Assignee: **Sony Corporation**, Tokyo (JP)

(57) **CLAIM**

(**) Term: **14 Years**

The ornamental design for a combined speaker box and power supply adaptor, as shown and described.

(21) Appl. No.: **29/256,151**

(22) Filed: **Mar. 17, 2006**

DESCRIPTION

(30) **Foreign Application Priority Data**

Oct. 13, 2005 (JP) D2005-029875

(51) **LOC (8) Cl.** **14-01**

(52) **U.S. Cl.** **D14/214; D13/110**

(58) **Field of Classification Search** D14/204,
D14/209–216; D13/110; 181/143–144,
181/147–148, 150, 157, 198–199, 151, 153;
381/300–302, 306, 333, 345, 361–364, 386–388,
381/332, 336

See application file for complete search history.

(56) **References Cited**

U.S. PATENT DOCUMENTS

D368,466 S * 4/1996 Ahn et al. D13/110
D395,888 S * 7/1998 Fenner et al. D14/214
D503,676 S * 4/2005 Krieger et al. D13/110

FOREIGN PATENT DOCUMENTS

JP D995834 S 11/1997

OTHER PUBLICATIONS

Office Action mailed on Sep. 12, 2006 (Russia).
Web page “PSP-26SB,” <http://www.princeton.co.jp/product/digital-audio/psp26s.html>, 1 sheet, Princeton Technology (Dec. 2005).

* cited by examiner

FIG. 1 is a perspective view of a combined speaker box and power supply adaptor showing my new design;

FIG. 2 is a front elevational view thereof;

FIG. 3 is a rear elevational view thereof;

FIG. 4 is a left side elevational view thereof;

FIG. 5 is a right side elevational view thereof;

FIG. 6 is a top plan view thereof;

FIG. 7 is a bottom plan view thereof;

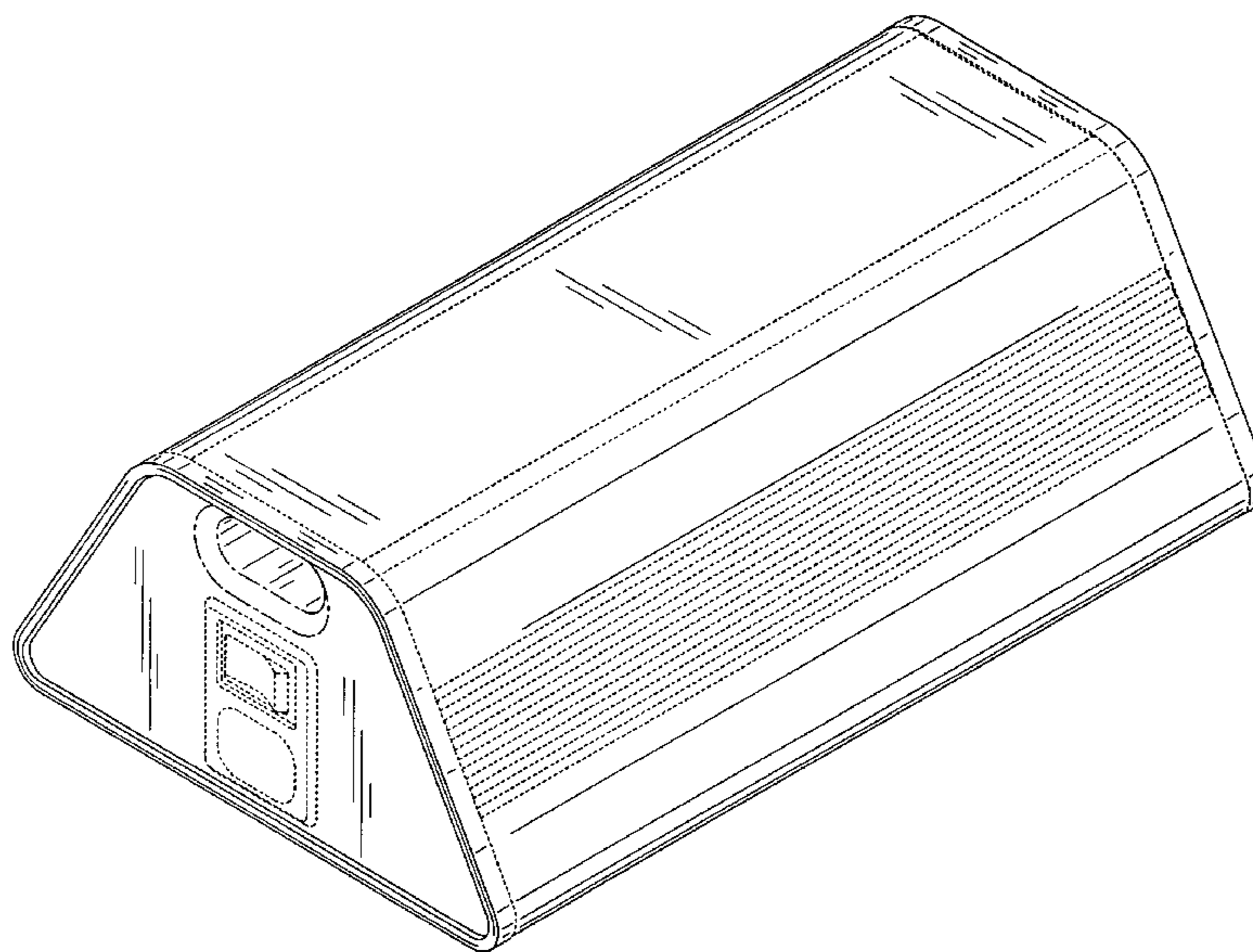
FIG. 8 is a reference top plan view thereof, showing lines 9–9 and 10–10;

FIG. 9 is a reference cross-sectional view thereof, taken along the line 9–9 shown in FIG. 8; and,

FIG. 10 is a reference cross-sectional view thereof, taken along the line 10–10 shown in FIG. 8.

Portions of FIGS. 1–10 that are shown as broken lines are for illustrative purpose only and form no part of the claimed design. The dot-dash broken lines shown in FIGS. 1 and 4 define, but are not included in, the boundaries of the claimed design.

1 Claim, 10 Drawing Sheets



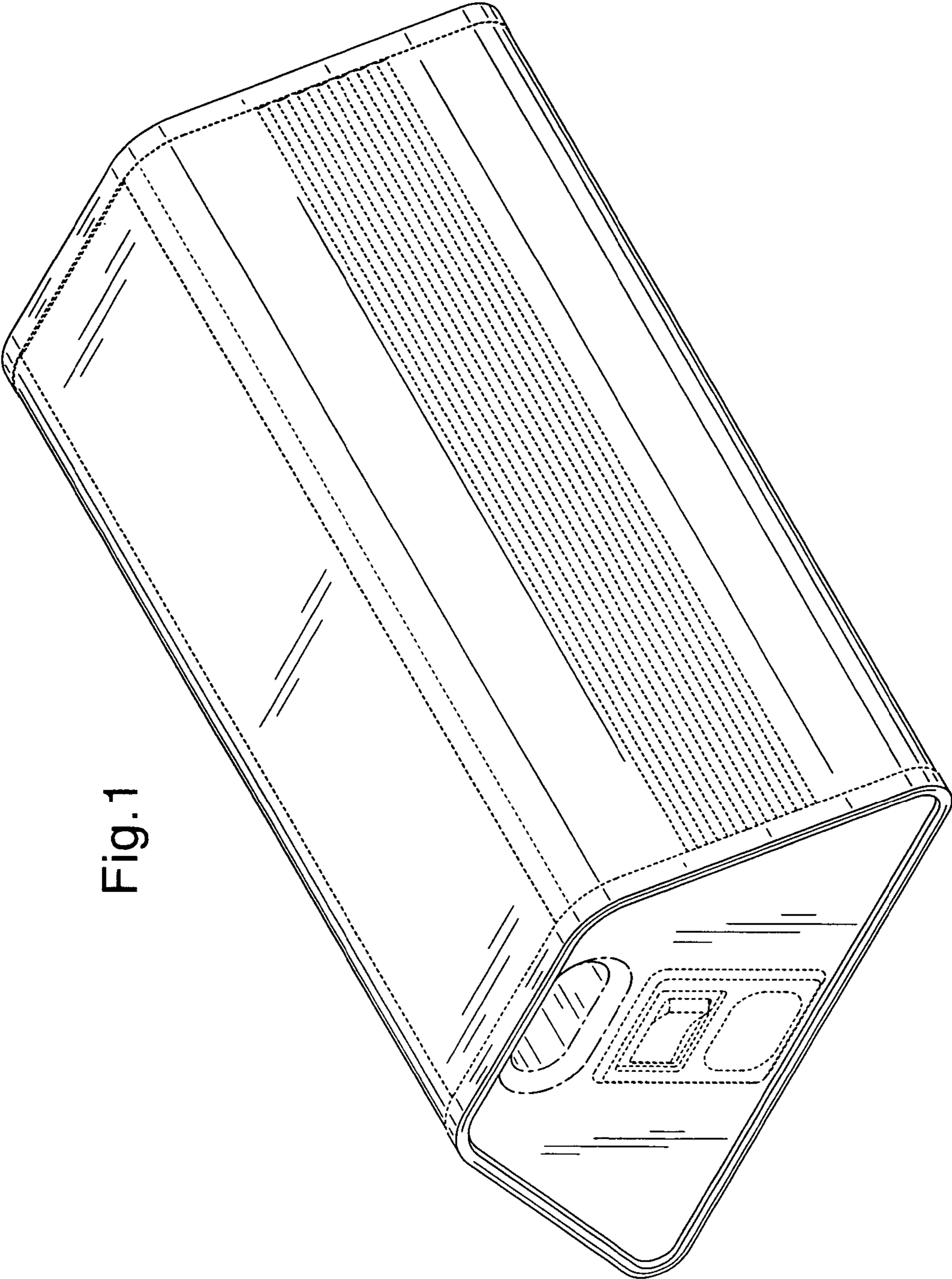


Fig. 1

Fig.2

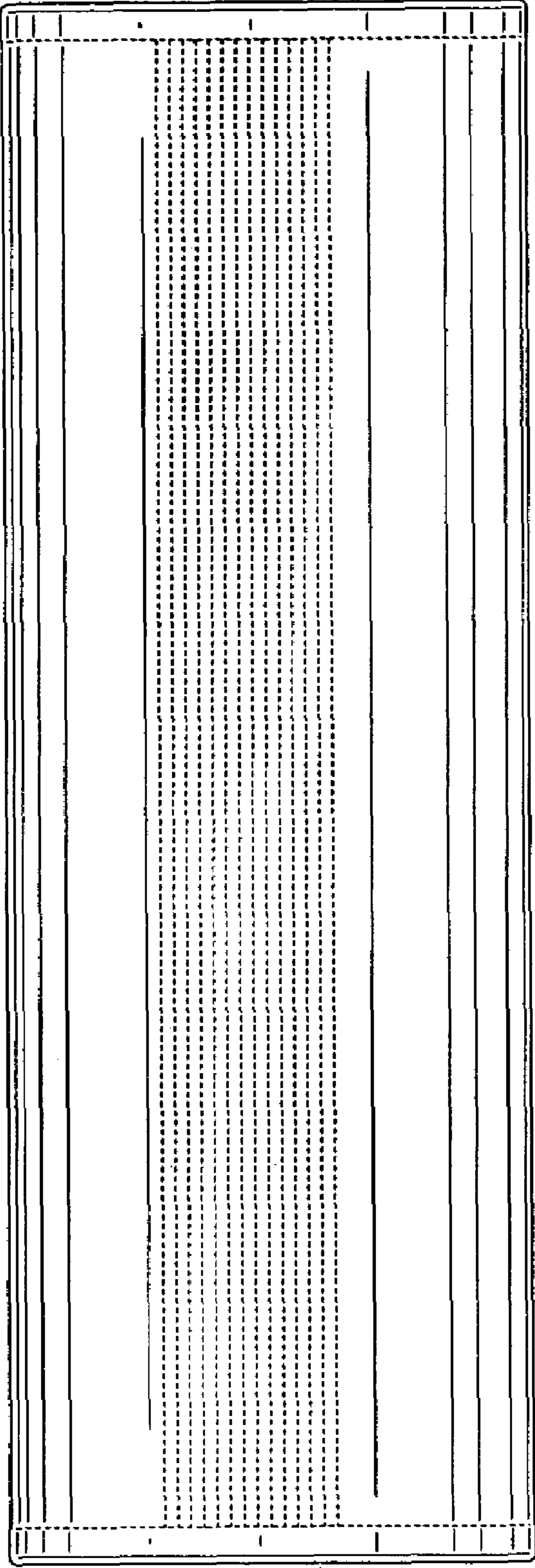


Fig. 3

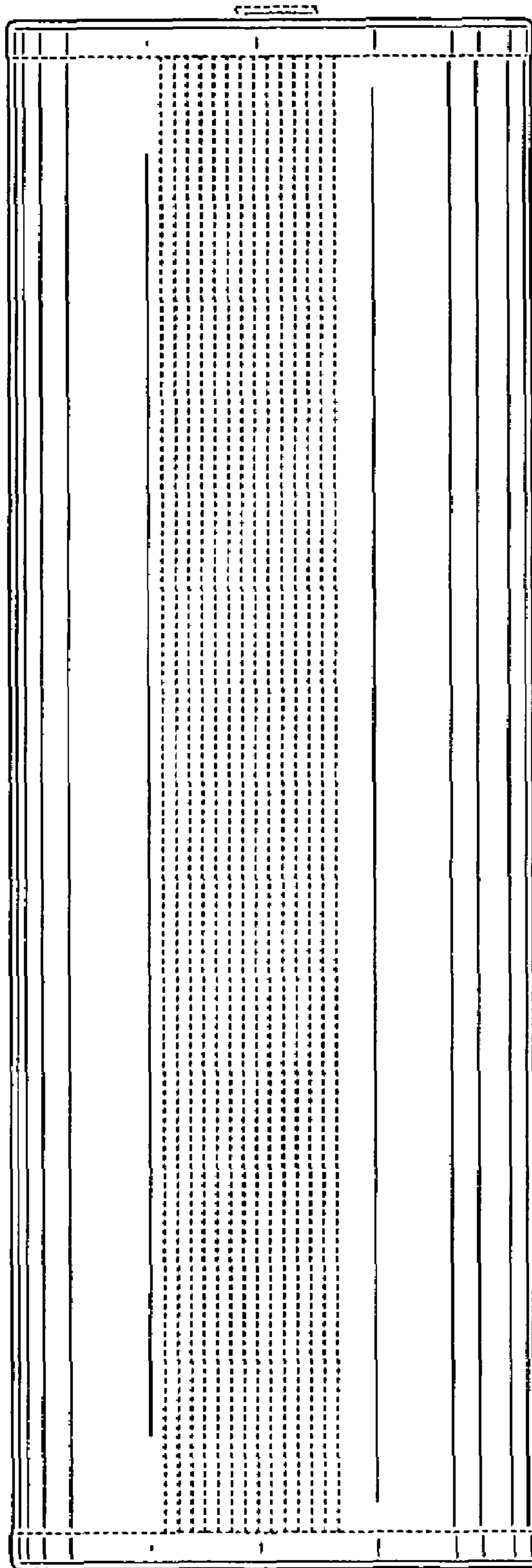


Fig.4

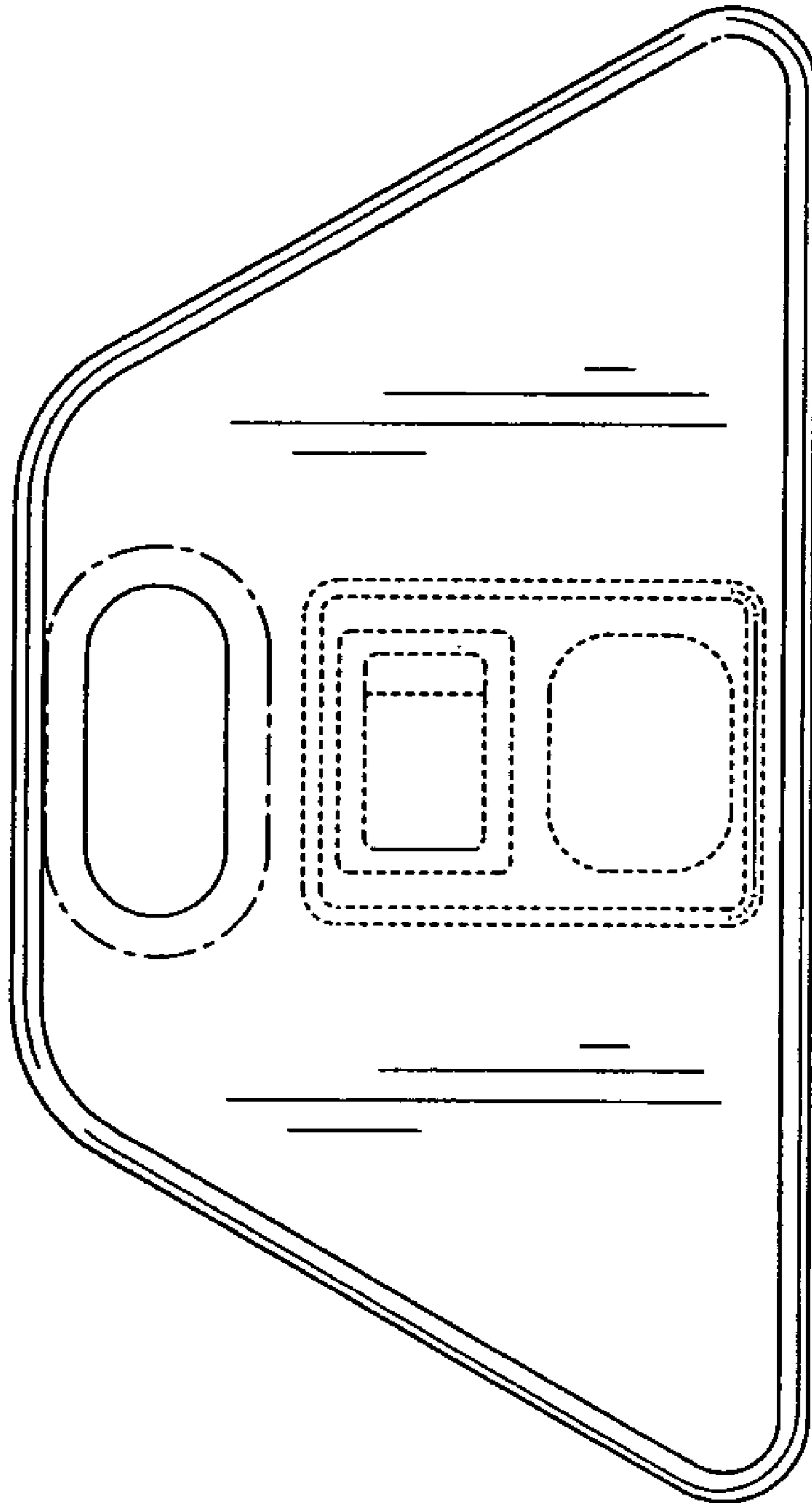


Fig. 5

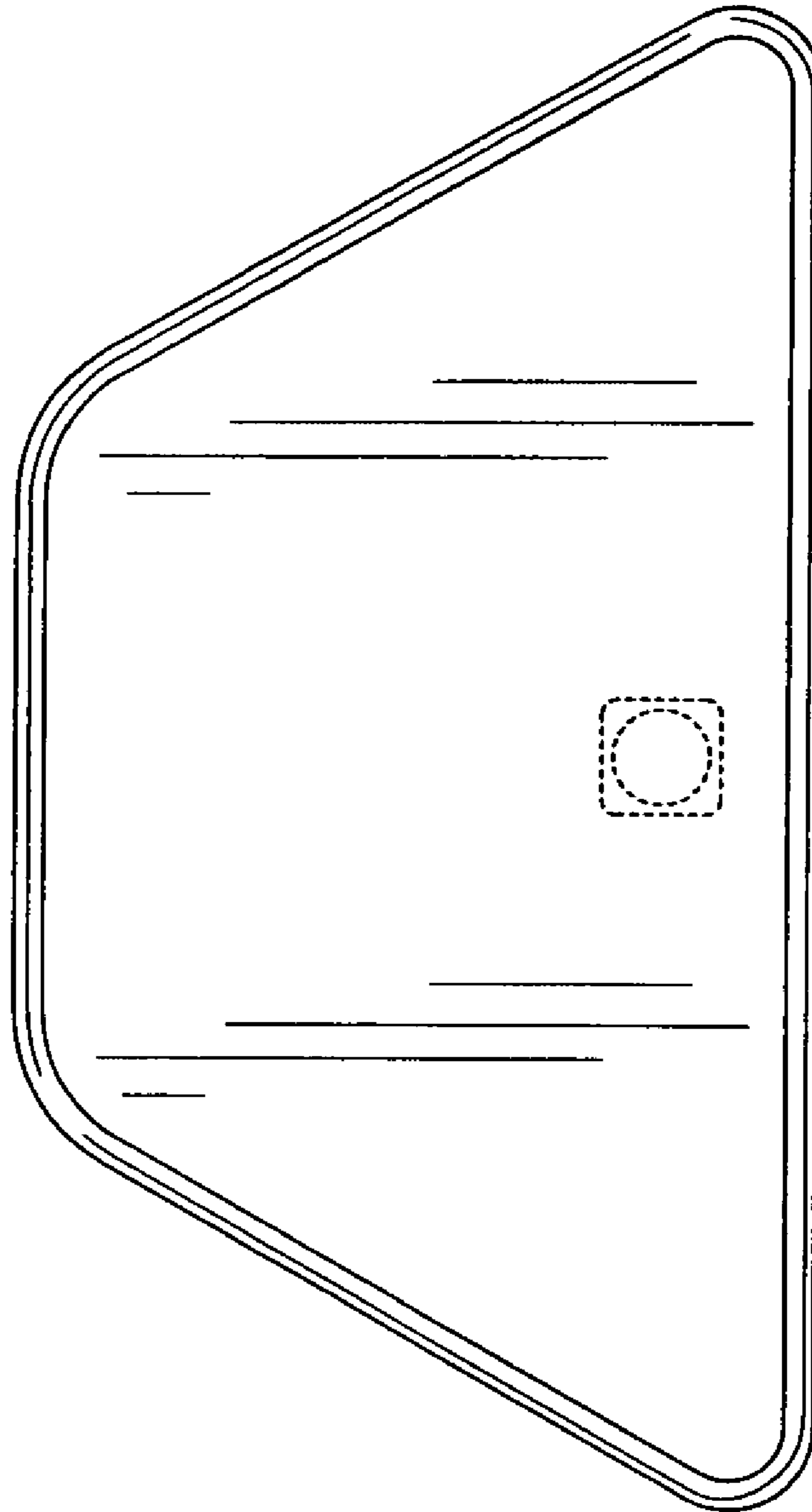


Fig.6

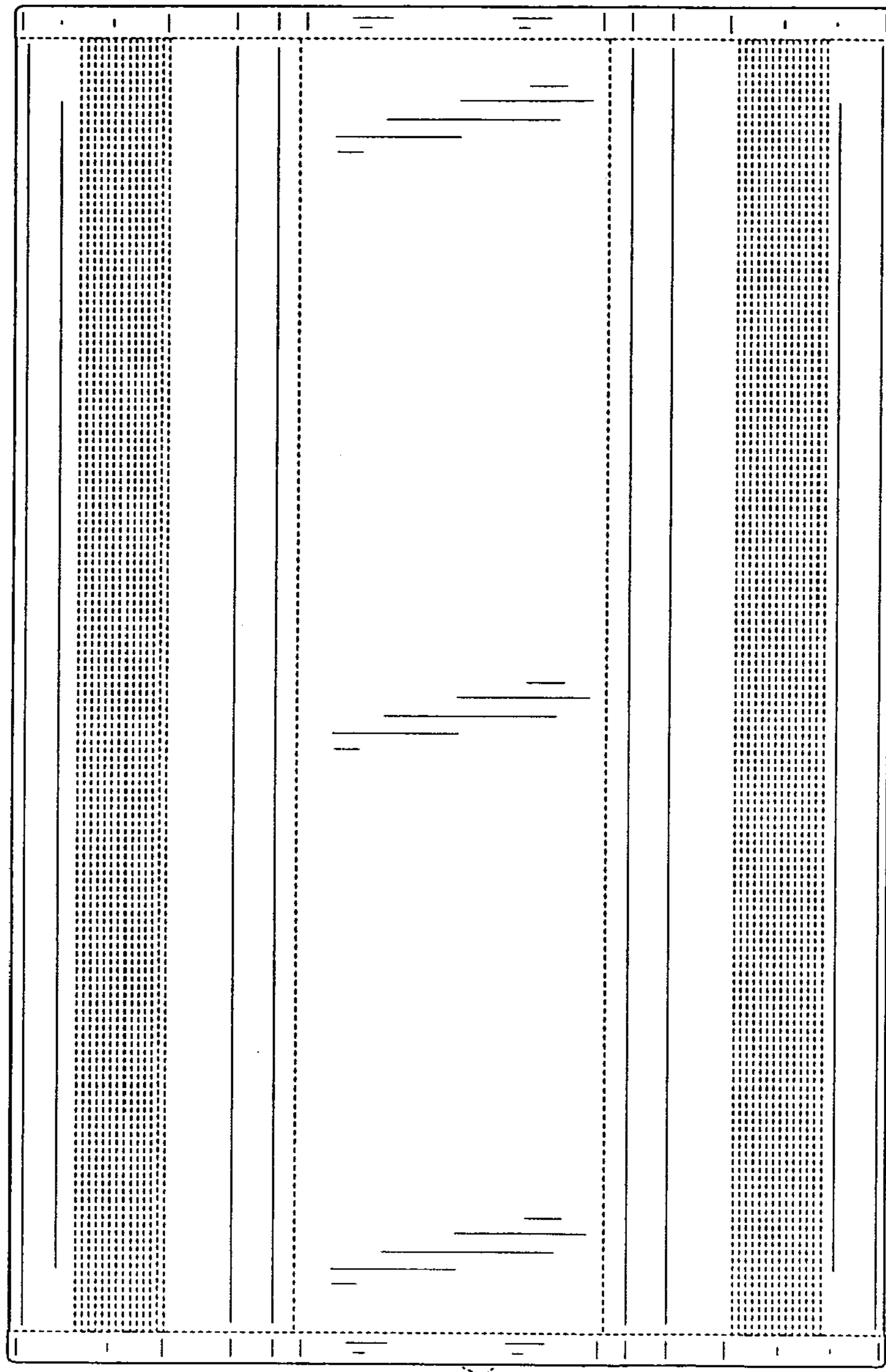


Fig.7

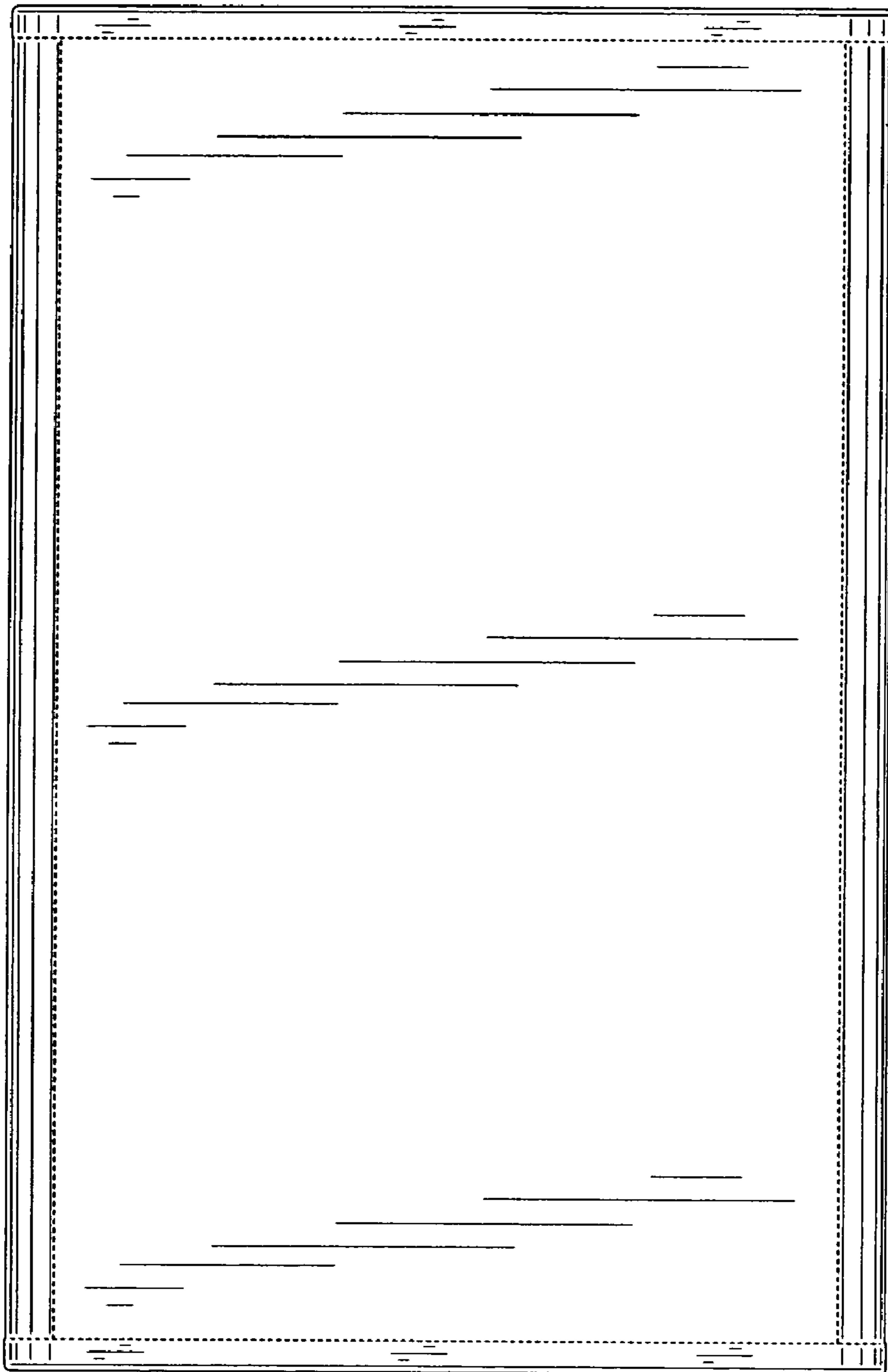


Fig.8

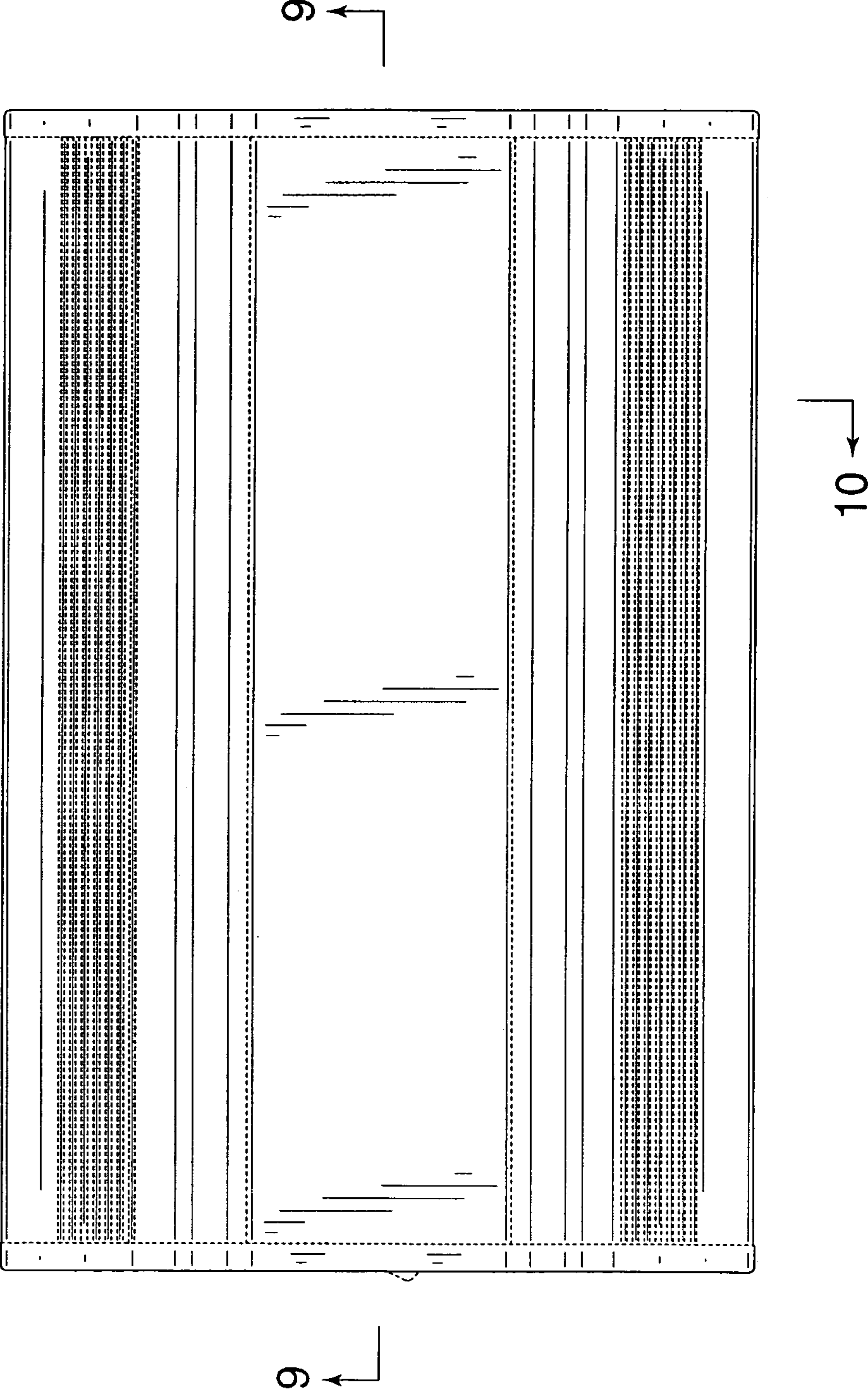


Fig. 9

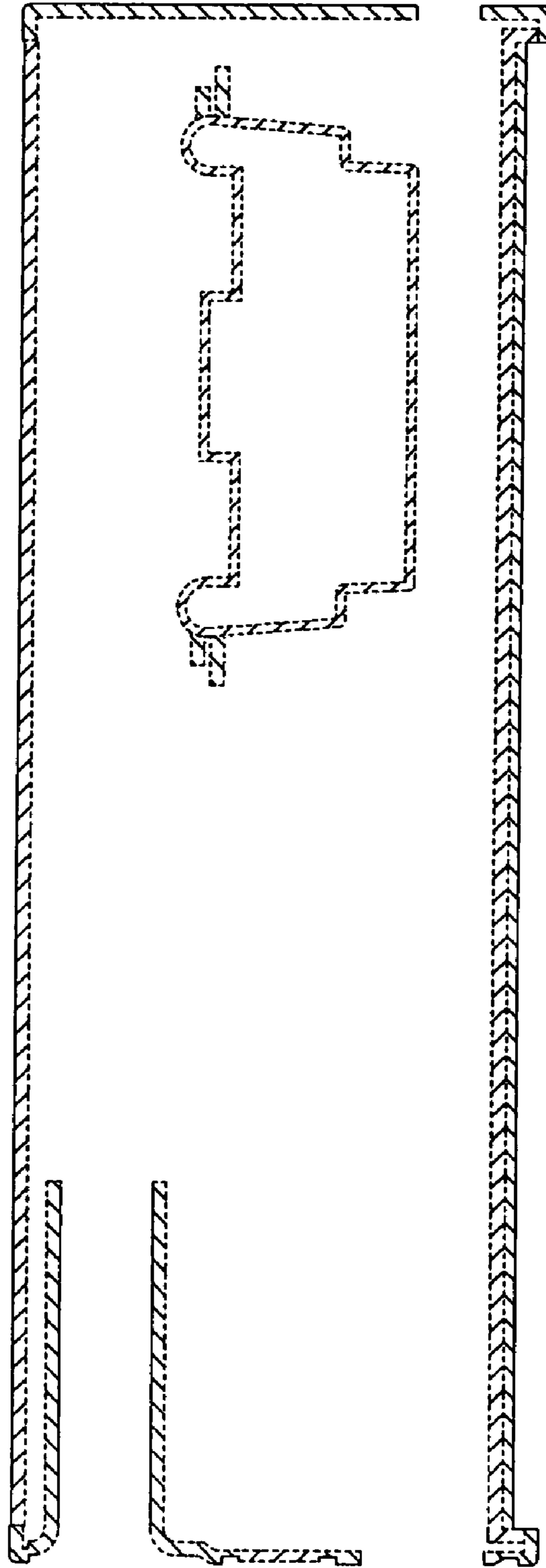


Fig. 10

