



US00D553119S

(12) **United States Design Patent** (10) **Patent No.:** **US D553,119 S**  
**Chau** (45) **Date of Patent:** **\*\* Oct. 16, 2007**

(54) **COMBINED CALENDAR CLOCK RADIO WITH LIGHT**

(75) Inventor: **Yuk Lun Chau**, Kowloon (HK)

(73) Assignee: **Mekosonic Enterprises Limited**, Kowloon (HK)

(\*\*) Term: **14 Years**

(21) Appl. No.: **29/262,759**

(22) Filed: **Jul. 10, 2006**

(51) **LOC (8) Cl.** ..... **14-03**

(52) **U.S. Cl.** ..... **D14/171; D10/2**

(58) **Field of Classification Search** ..... D14/68, D14/170, 171, 188, 193-198; D10/1, 2, D10/3, 15, 128; 312/7.1; 455/91, 95, 100, 455/128, 344, 347, 350, 351  
See application file for complete search history.

(56) **References Cited**

**U.S. PATENT DOCUMENTS**

D380,757 S	*	7/1997	Mak	.....	D14/171
D385,561 S	*	10/1997	Audoin	.....	D14/171
D402,289 S	*	12/1998	Pinchuk et al.	.....	D14/167
D420,352 S	*	2/2000	Chan	.....	D14/171
D430,550 S	*	9/2000	Nakajima et al.	.....	D14/156
D514,545 S	*	2/2006	Watanabe	.....	D14/168

**OTHER PUBLICATIONS**

Hong Kong Trade Development Council, <http://sourcing.tdctrade.com/cgi-bin/hkei.dll/Jsp/hkei/UiCompanyAoutUs.cmd?MemberID=652170&productId=311000&src=10ENT070482322277-000002/.jpg>, May 3, 2007, 1pg.\*

\* cited by examiner

*Primary Examiner*—Mitchell Siegel

*Assistant Examiner*—Keli L. Acker

(74) *Attorney, Agent, or Firm*—Intellectual Property Law Group LLP; Otto O. Lee; Juneko Jackson

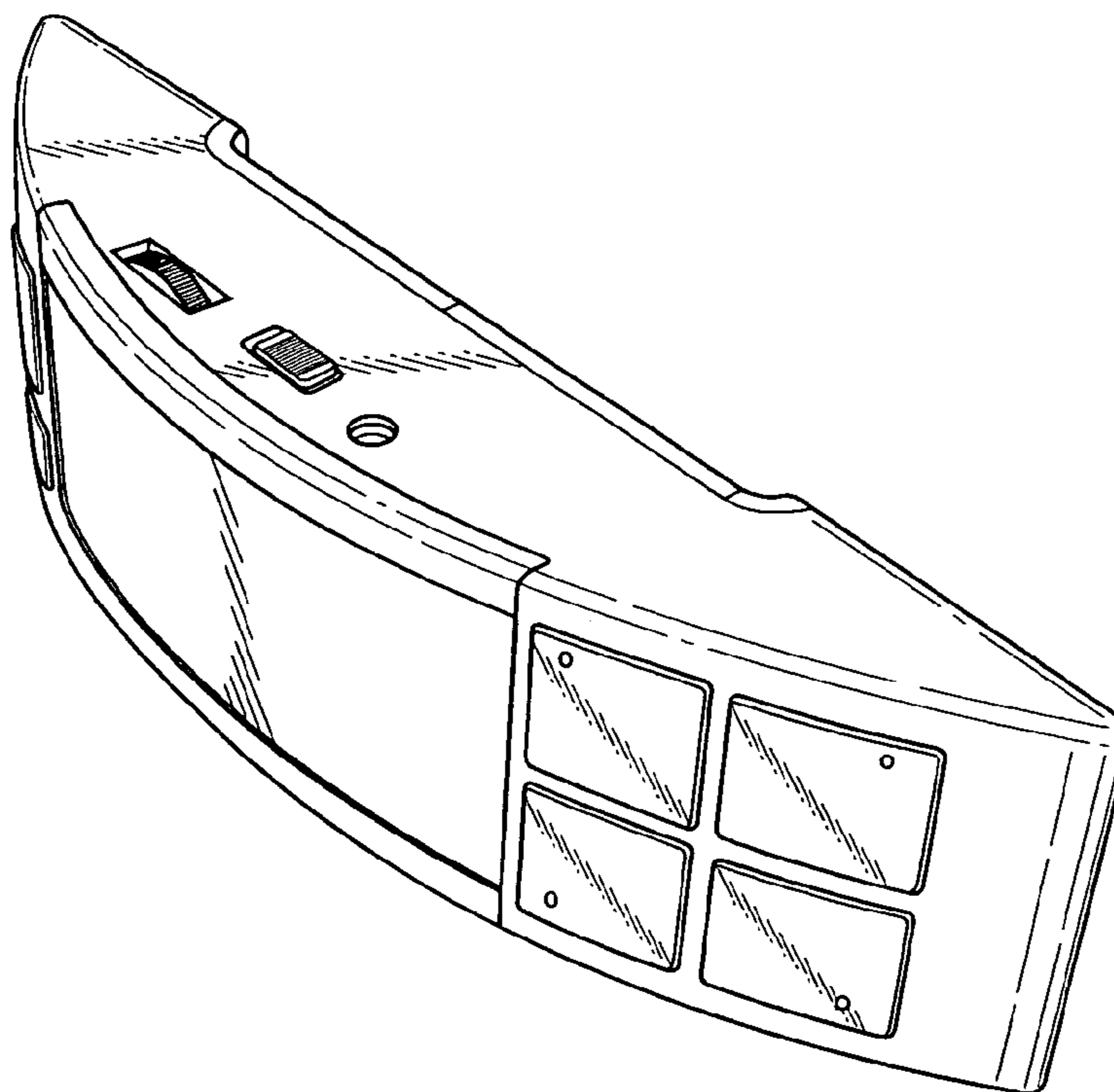
(57) **CLAIM**

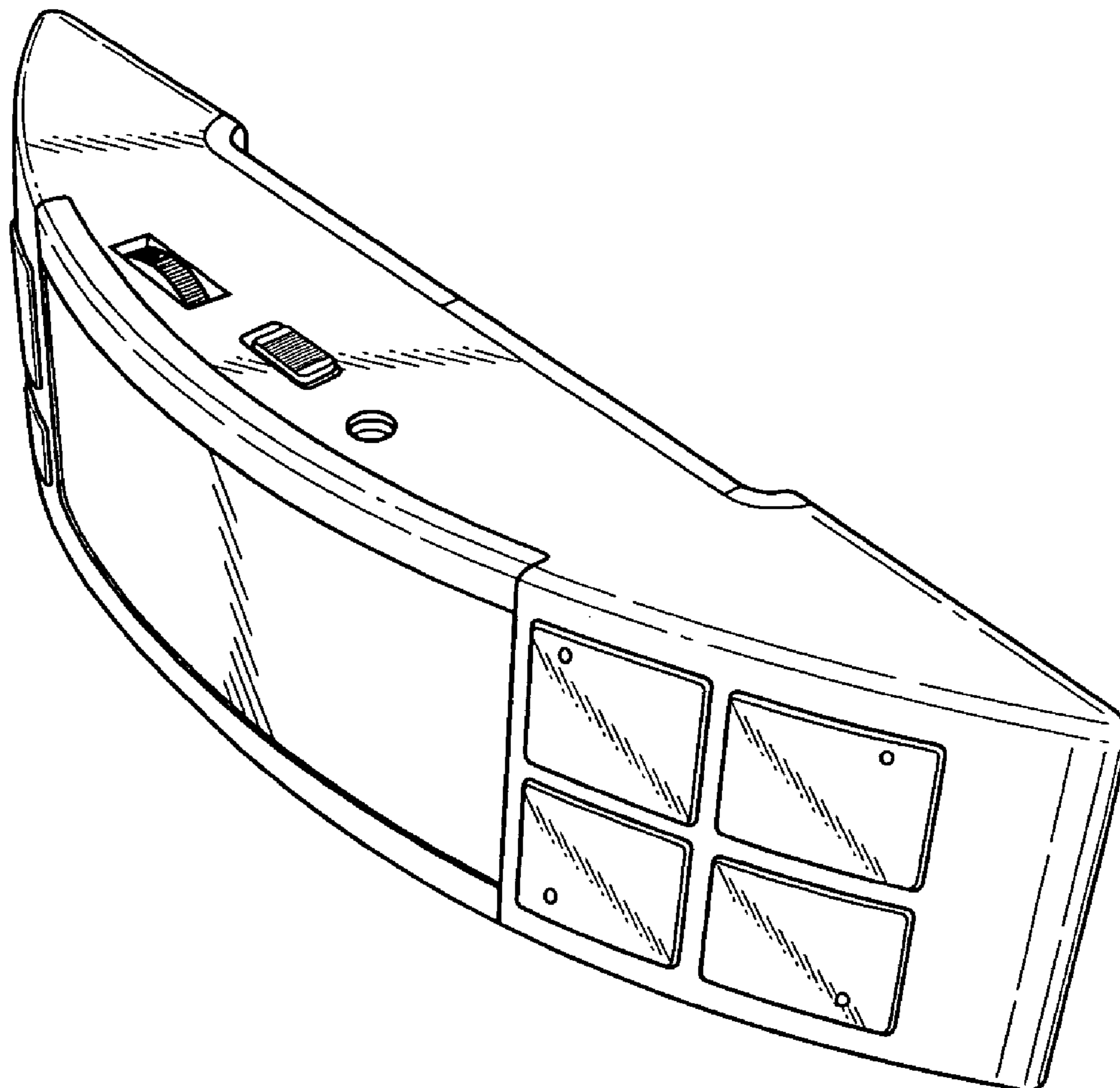
The ornamental design for a combined calendar clock radio with light, as shown and described.

**DESCRIPTION**

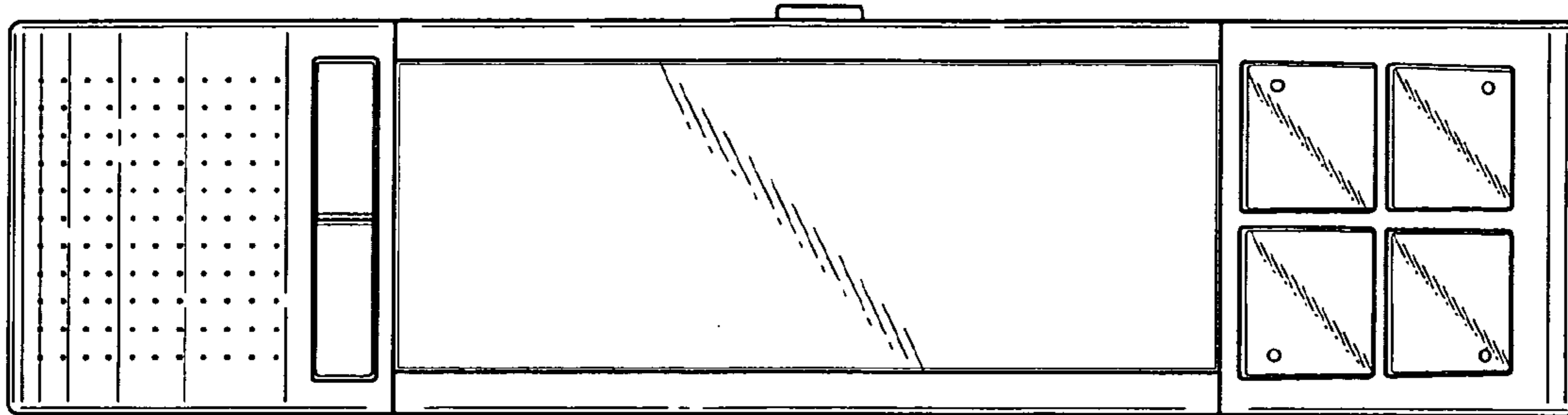
FIG. 1 is a perspective view of a combined calendar clock radio with light embodying my design;  
FIG. 2 is a front elevational view thereof;  
FIG. 3 is a back elevational view thereof;  
FIG. 4 is a left elevational view thereof;  
FIG. 5 is a right elevational view thereof;  
FIG. 6 is a top plan view thereof; and,  
FIG. 7 is a bottom plan view thereof.

**1 Claim, 4 Drawing Sheets**

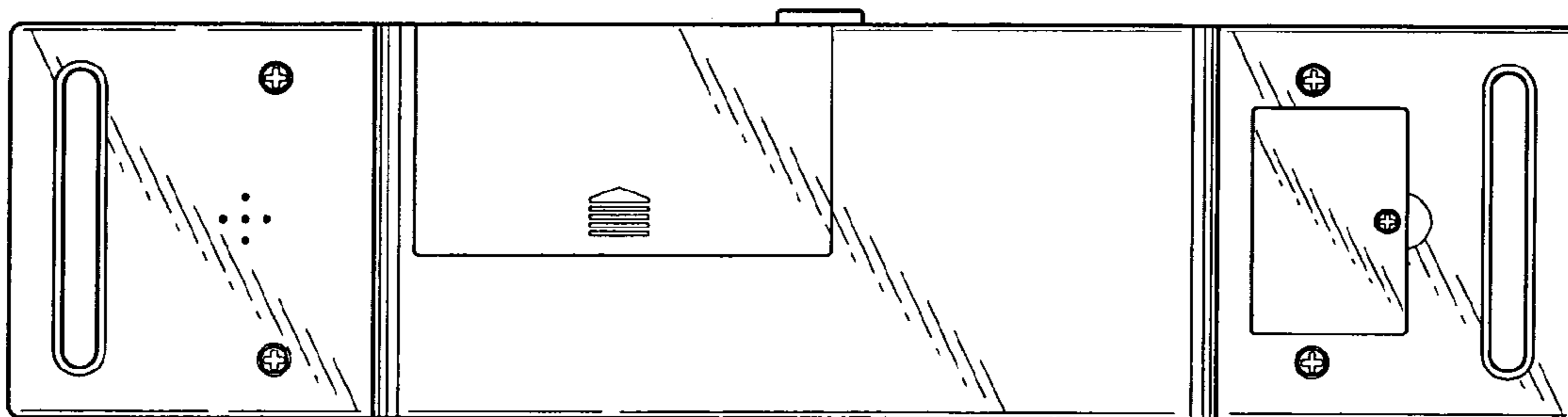




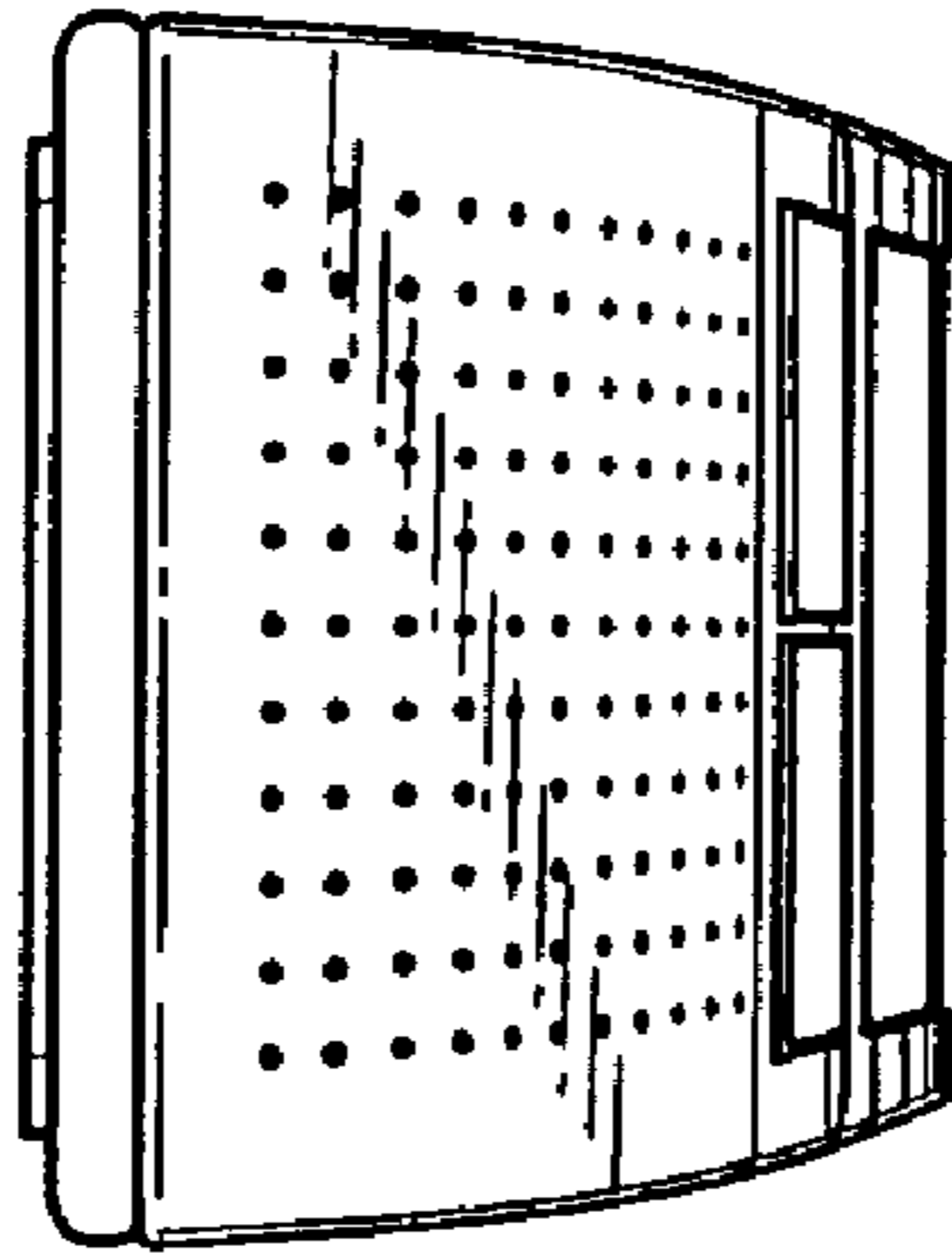
**Fig. 1**



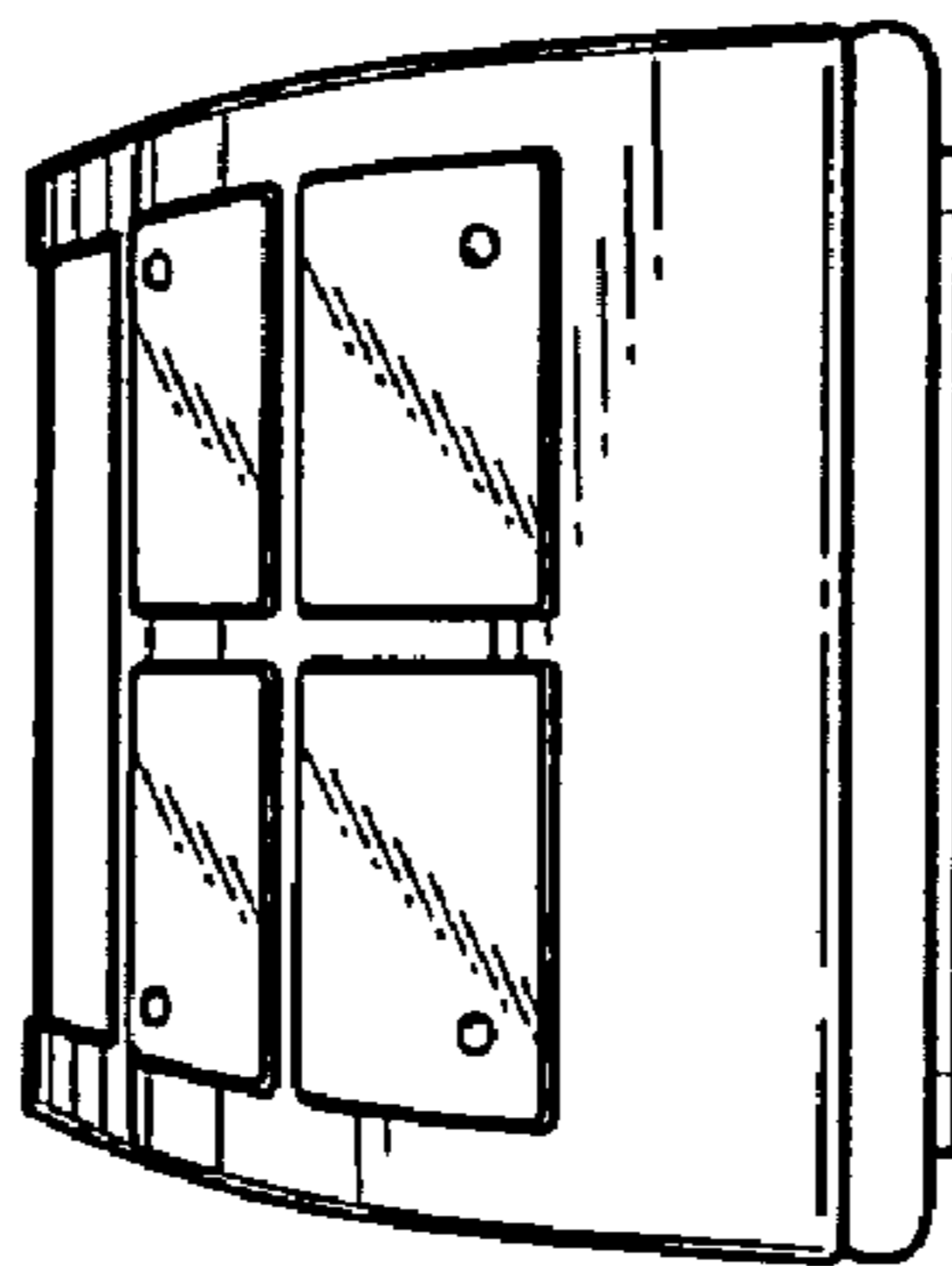
**Fig. 2**



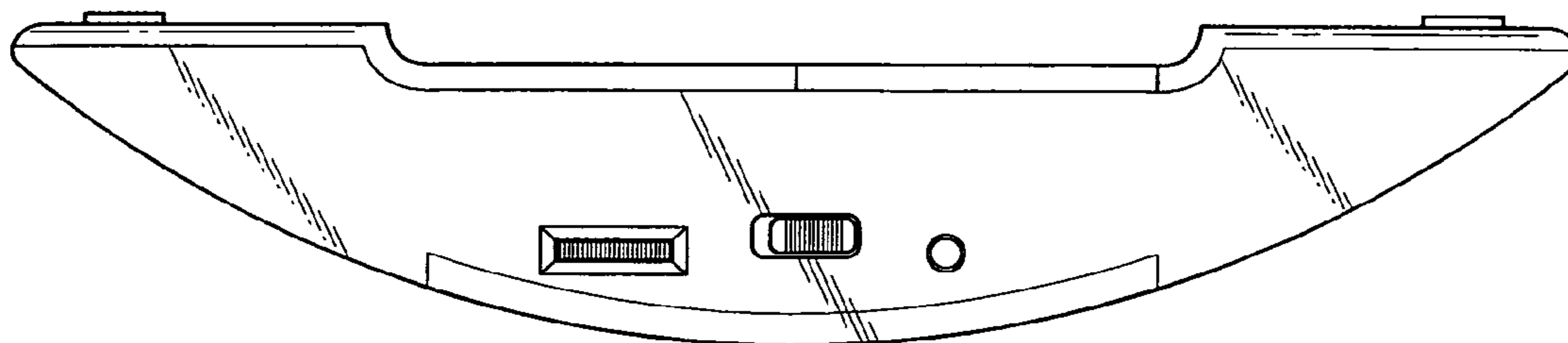
**Fig. 3**



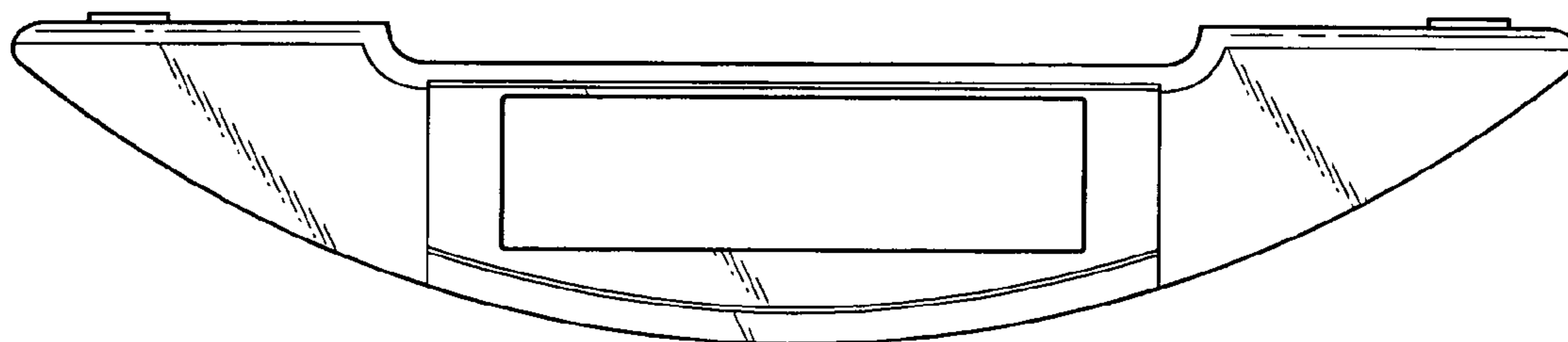
***Fig. 4***



***Fig. 5***



**Fig. 6**



**Fig. 7**