



US00D553118S

(12) **United States Design Patent** (10) **Patent No.:** **US D553,118 S**
Williamson et al. (45) **Date of Patent:** **** Oct. 16, 2007**

(54) **COMBINED MEDIA PLAYER AND COMPUTER CONTROLLER**

(75) Inventors: **Paul Williamson**, Providence, RI (US);
James Corbin, Providence, RI (US);
Gregor Mittersinker, Warwick, RI (US);
Christopher Roman, Wrentham, MA (US);
Michael Leighton, Sun Prairie, WI (US)

(73) Assignee: **Numark Industries LLC**, Cumberland, RI (US)

(**) Term: **14 Years**

(21) Appl. No.: **29/246,271**

(22) Filed: **Mar. 28, 2006**

(51) **LOC (8) Cl.** **14-01**

(52) **U.S. Cl.** **D14/168; D14/203; D14/217**

(58) **Field of Classification Search** D14/135-136,
D14/156, 162, 167-168, 199-203, 217, 261;
312/8.4, 322, 325; 84/645; 360/99.02, 99.07;
369/75.11, 75.21, 77.21, 77.11

See application file for complete search history.

(56) **References Cited**

U.S. PATENT DOCUMENTS

D454,552	S	*	3/2002	Nakane	D14/156
D454,855	S	*	3/2002	Nakane	D14/168
6,735,377	B1		5/2004	Hsieh		
D491,915	S	*	6/2004	Warden	D14/203
D496,922	S	*	10/2004	Kimura	D14/156
D505,667	S	*	5/2005	Okada	D14/156
D512,409	S	*	12/2005	Ishizaki	D14/168

D518,022	S	*	3/2006	Ishizaki	D14/168
2003/0002395	A1		1/2003	Chang et al.		
2003/0029302	A1	*	2/2003	Reed	84/411 R
2005/0052981	A1		3/2005	Shim et al.		
2005/0083486	A1		4/2005	Johnson		
2006/0039245	A1		2/2006	Huang		

OTHER PUBLICATIONS

Digital Blue Mixman DM2 Digital Music Mixer, (source) www.tigerdirect.com/applications.

Yamaha MW10, USB mixer interface with cubase LE, (source) www.portlandmusiccompany.com.

* cited by examiner

Primary Examiner—Nanda Bondade

(74) *Attorney, Agent, or Firm*—Barlow, Josephs & Holmes, Ltd.

(57) **CLAIM**

The ornamental design for a combined media player and computer controller, as shown.

DESCRIPTION

FIG. 1 is a perspective view of a combined media player and computer controller showing our new design;

FIG. 2 is a front elevational view thereof;

FIG. 3 is a rear elevational view thereof;

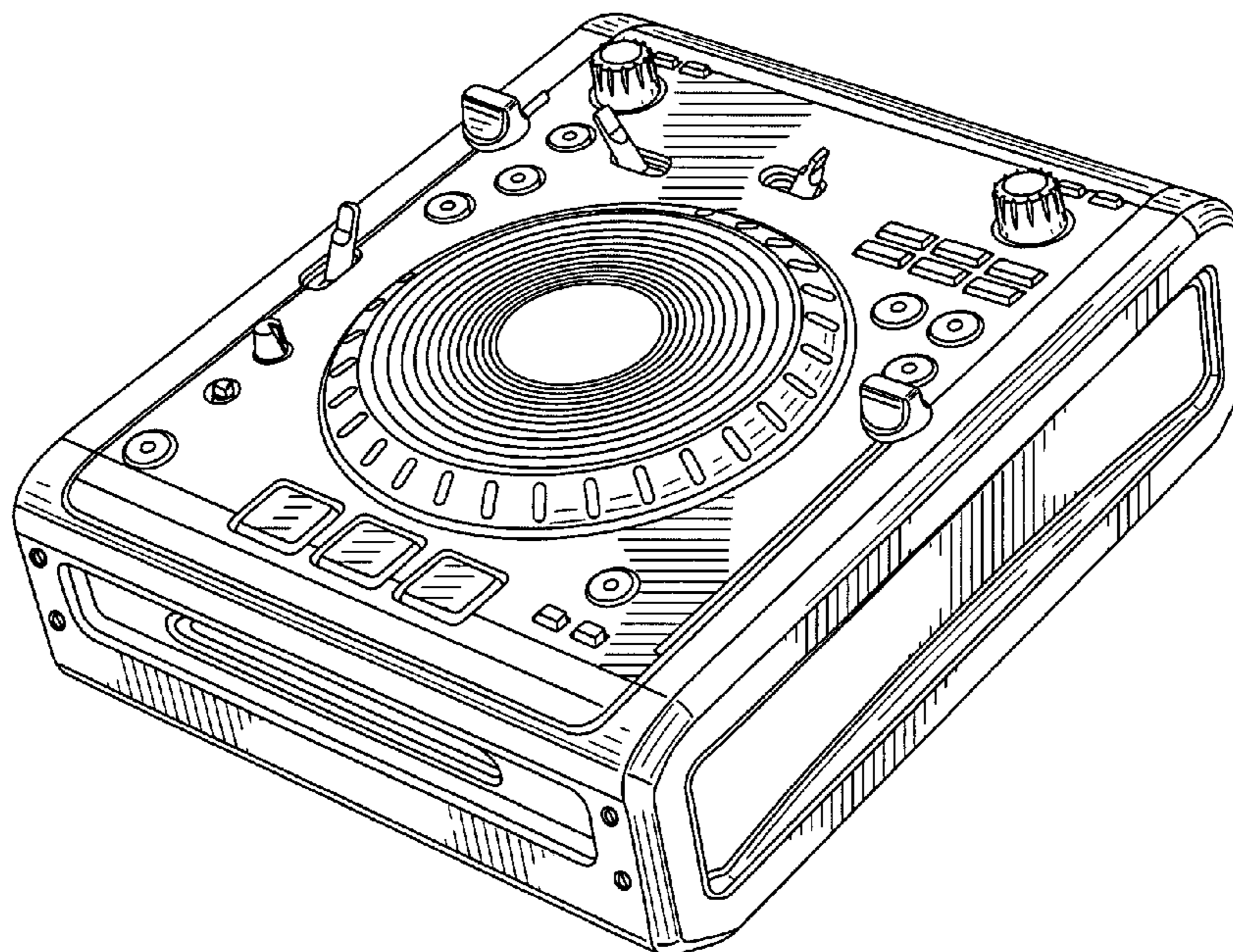
FIG. 4 is a top view thereof;

FIG. 5 is a bottom view thereof;

FIG. 6 is a left side elevational view thereof; and,

FIG. 7 is a right side elevational view thereof.

1 Claim, 7 Drawing Sheets



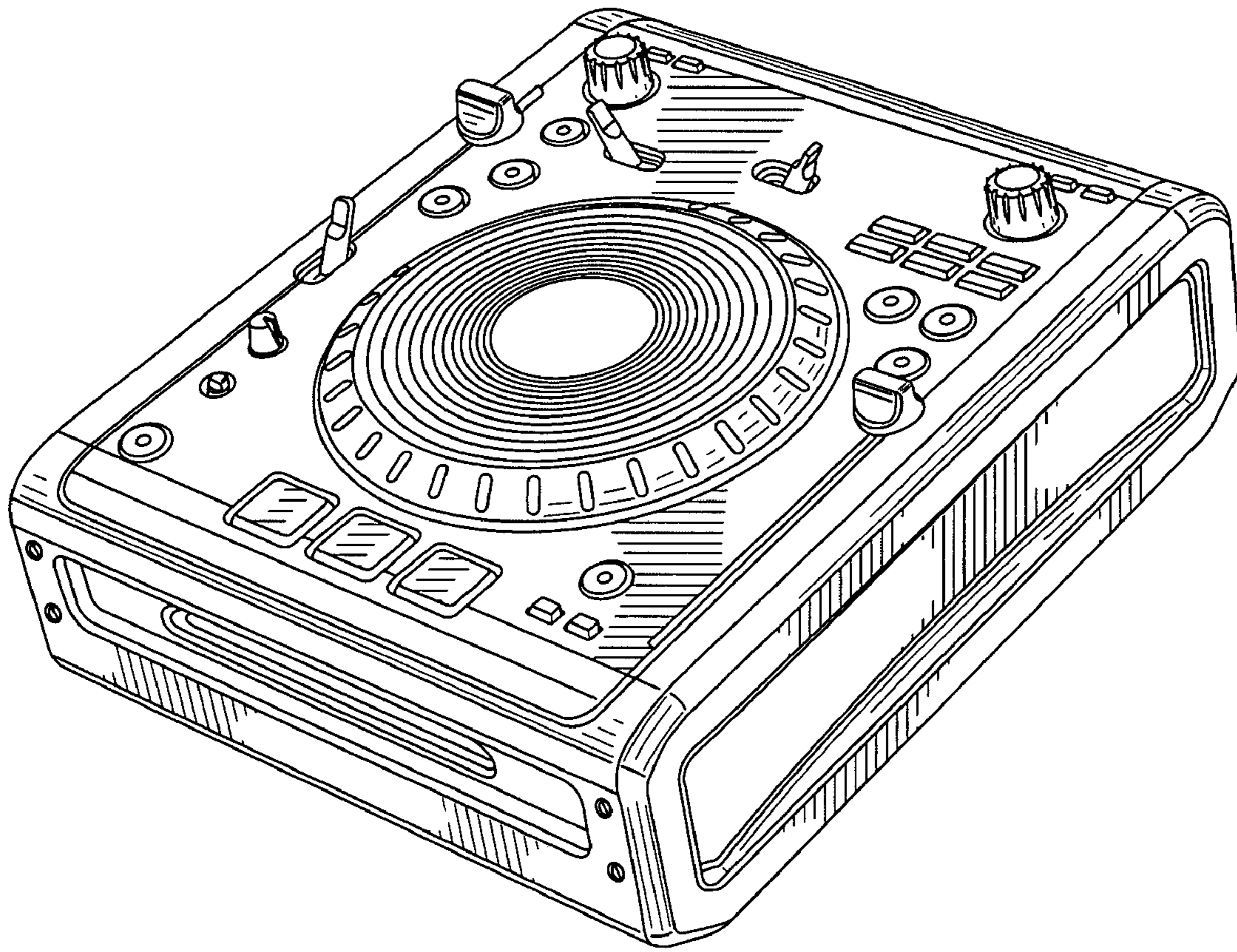


FIG. 1

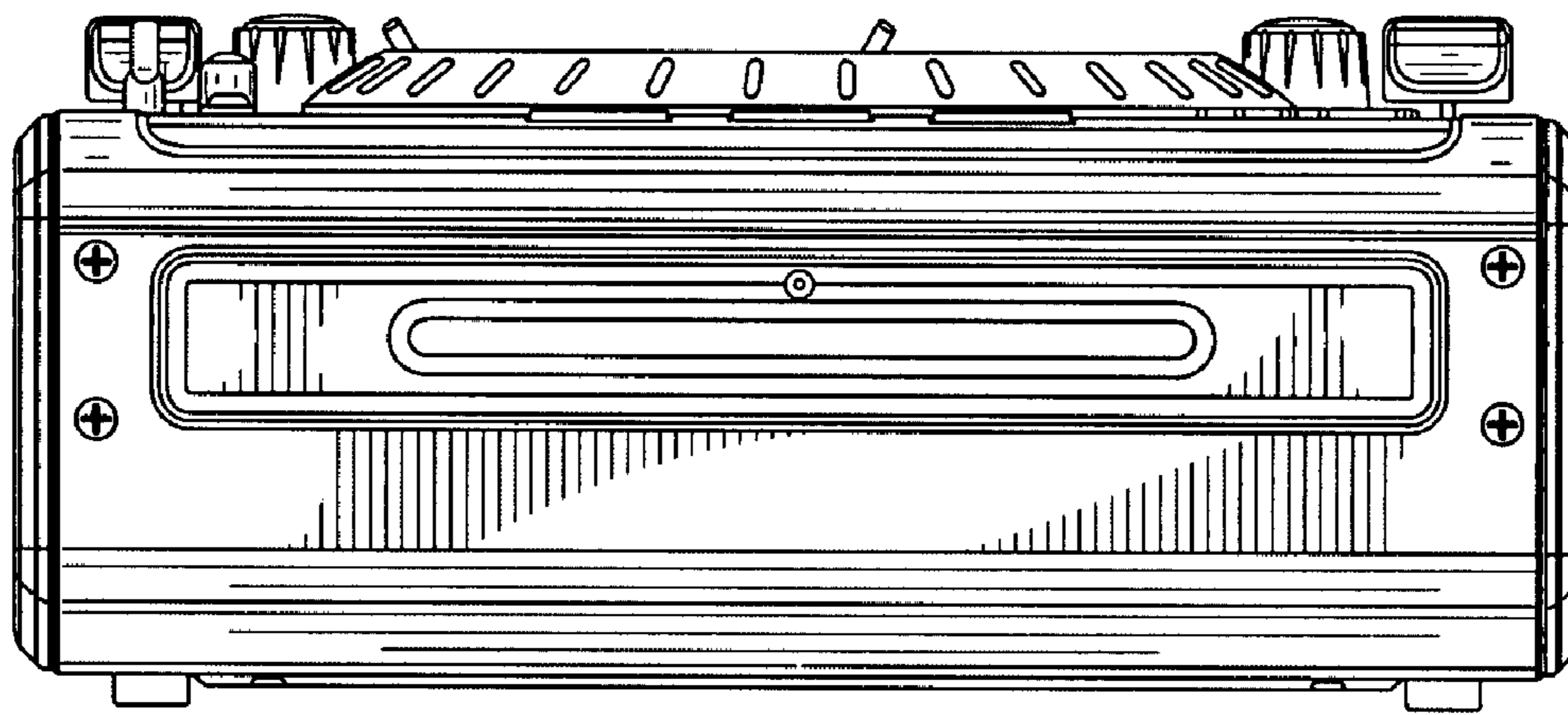


FIG. 2

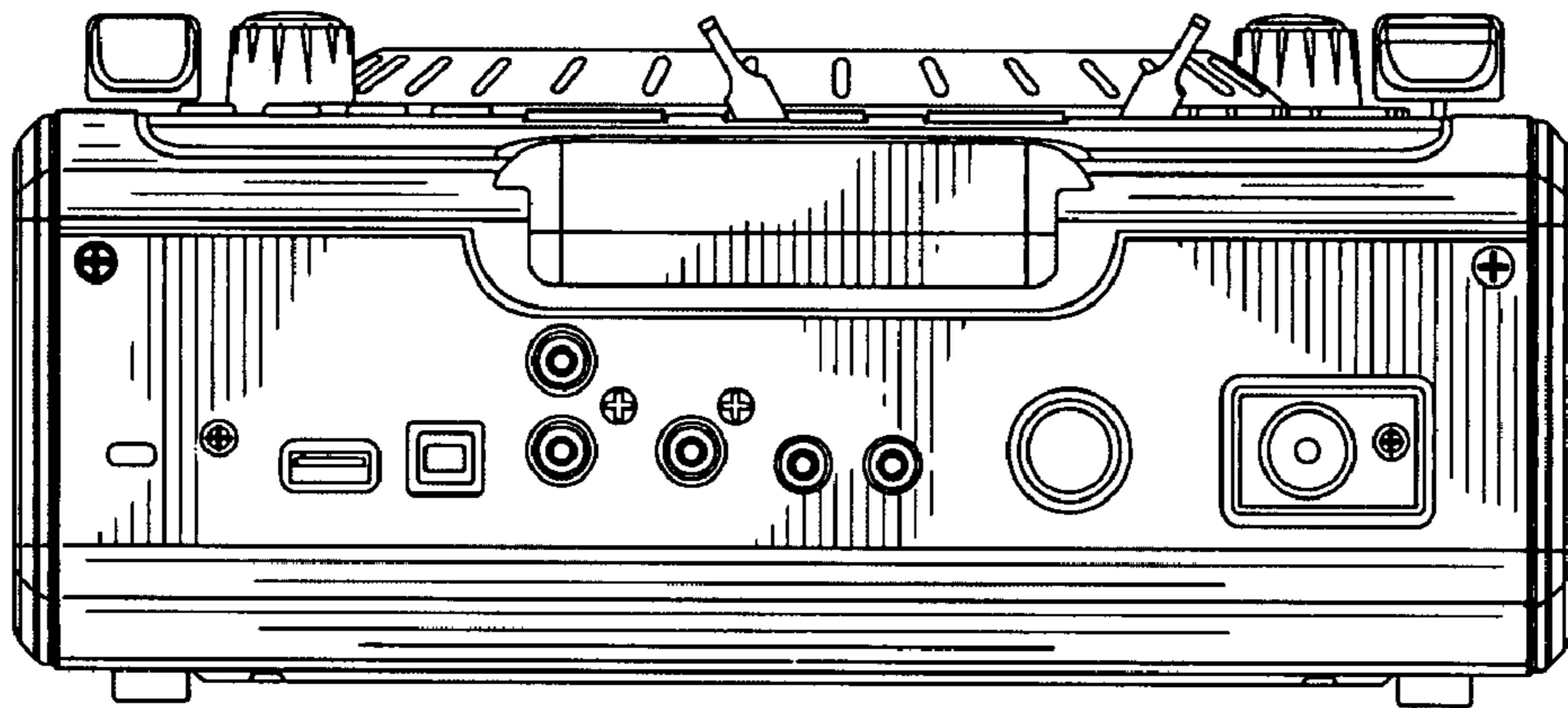


FIG. 3

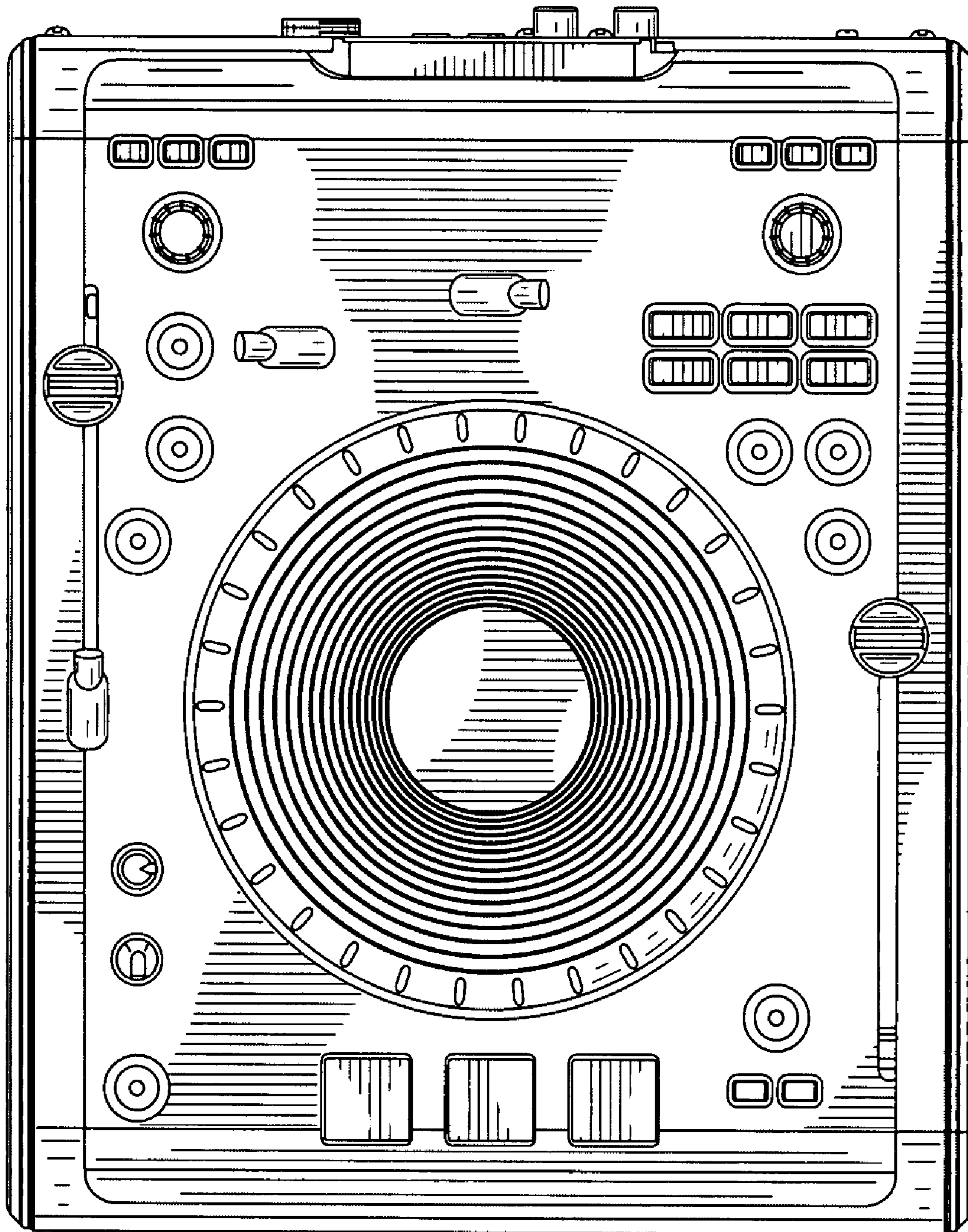


FIG. 4

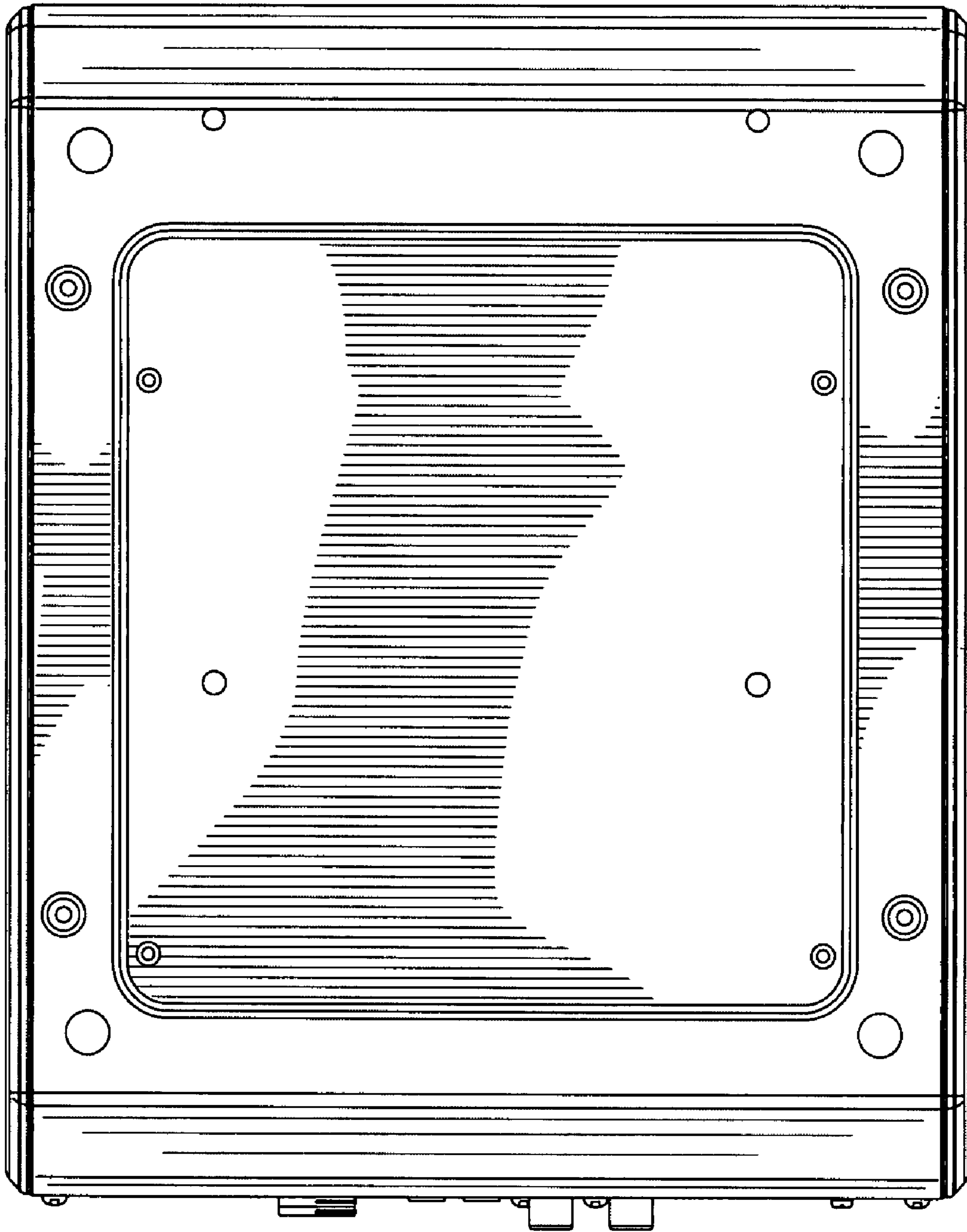


FIG. 5

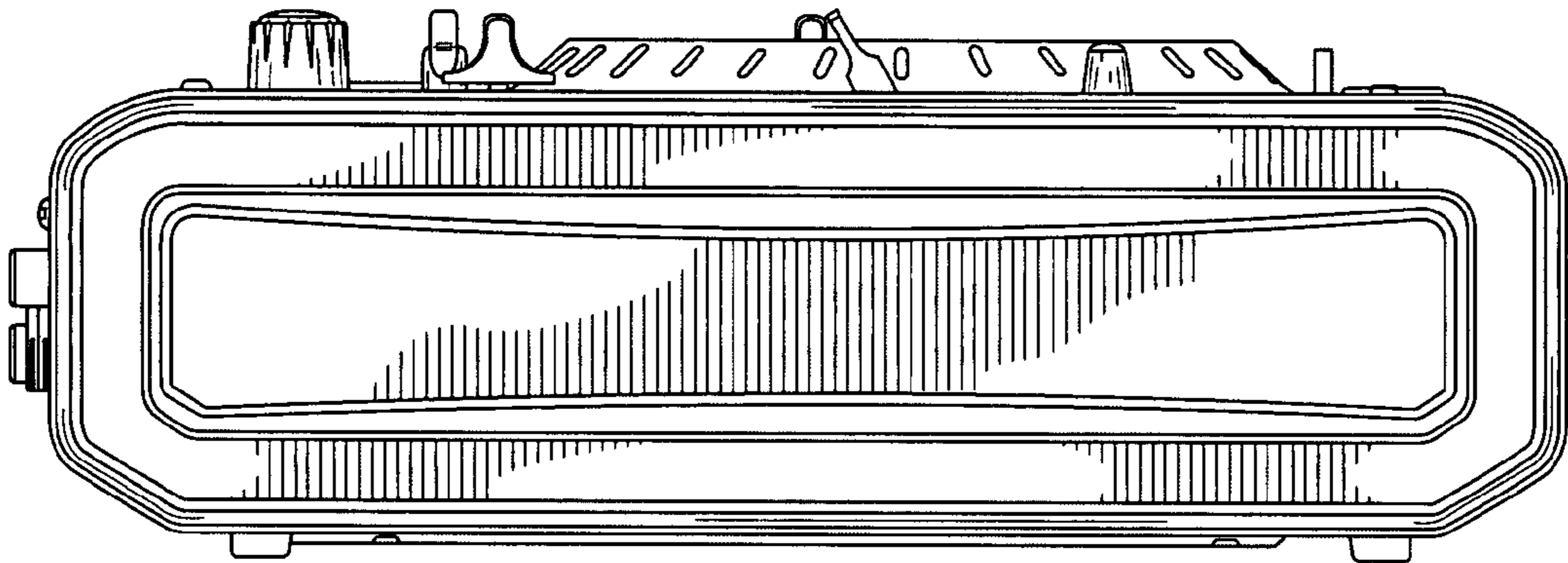


FIG. 6

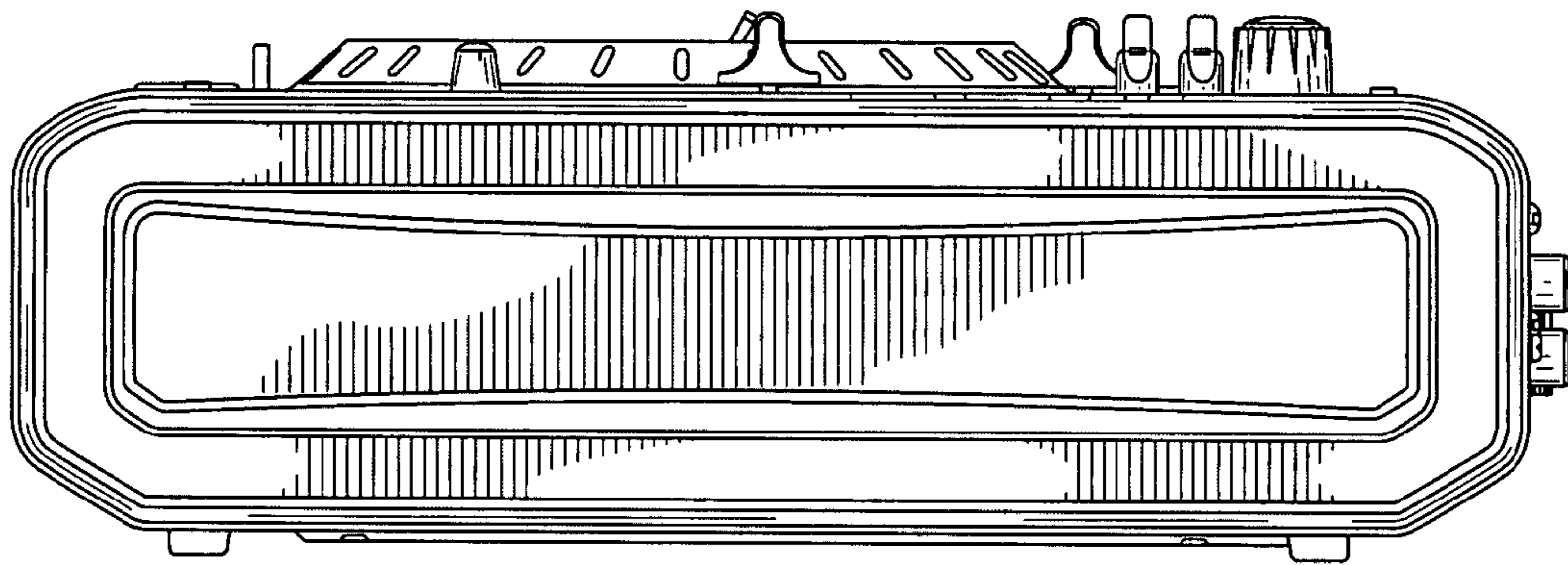


FIG. 7