



US00D553116S

(12) **United States Design Patent** (10) **Patent No.:** **US D553,116 S**
Franck et al. (45) **Date of Patent:** **** Oct. 16, 2007**

(54) **PHONE HANDSET**

(75) Inventors: **Christopher G. Franck**, Decatur, GA (US); **Jeffery R. Beasley**, Suwanee, GA (US); **Nate C. Lynch**, Hollywood, FL (US)

(73) Assignee: **General Instruments Corporation**, Horsham, PA (US)

(**) Term: **14 Years**

(21) Appl. No.: **29/250,704**

(22) Filed: **Nov. 28, 2006**

(51) **LOC (8) Cl.** **14-03**

(52) **U.S. Cl.** **D14/147**

(58) **Field of Classification Search** D14/137-138, D14/147-148, 156, 218, 247-248, 341-347, D14/496; D16/208; D21/329, 331, 333, D21/517; 348/14.01-14.02; 361/814; 379/433.01-433.13; 455/556.1, 556.2, 575.1, 455/575.3, 575.4, 566, 90.3

See application file for complete search history.

(56) **References Cited**

U.S. PATENT DOCUMENTS

D346,381 S *	4/1994	Namba	D14/138
D397,689 S *	9/1998	Harris et al.	D14/138
D398,925 S *	9/1998	Wicks	D14/138
D407,703 S *	4/1999	Stokes	D14/147
D409,998 S *	5/1999	Meyer	D14/138
D413,117 S *	8/1999	Chintala et al.	D14/138
D417,213 S *	11/1999	Meyer	D14/138
D424,556 S *	5/2000	Meyer	D14/138

D440,952 S *	4/2001	Carvalho	D14/138
D442,157 S *	5/2001	Muensch et al.	D14/138
D477,582 S *	7/2003	Muensch et al.	D14/147
6,785,386 B1 *	8/2004	Mason	379/433.01
D539,779 S *	4/2007	Miggels et al.	D14/147

FOREIGN PATENT DOCUMENTS

WO	DM/055666	*	5/2000
WO	DM/058071	*	1/2001

* cited by examiner

Primary Examiner—Ian Simmons

Assistant Examiner—Carla Jobe Wright

(74) *Attorney, Agent, or Firm*—Thomas Bethea, Jr.

(57) **CLAIM**

The ornamental design for a phone handset, as shown and described.

DESCRIPTION

FIG. 1 is a perspective view of a phone handset;

FIG. 2 is a front view of the phone handset of FIG. 1;

FIG. 3 is a rear view of the phone handset of FIG. 1;

FIG. 4 is a side view of the phone handset of FIG. 1;

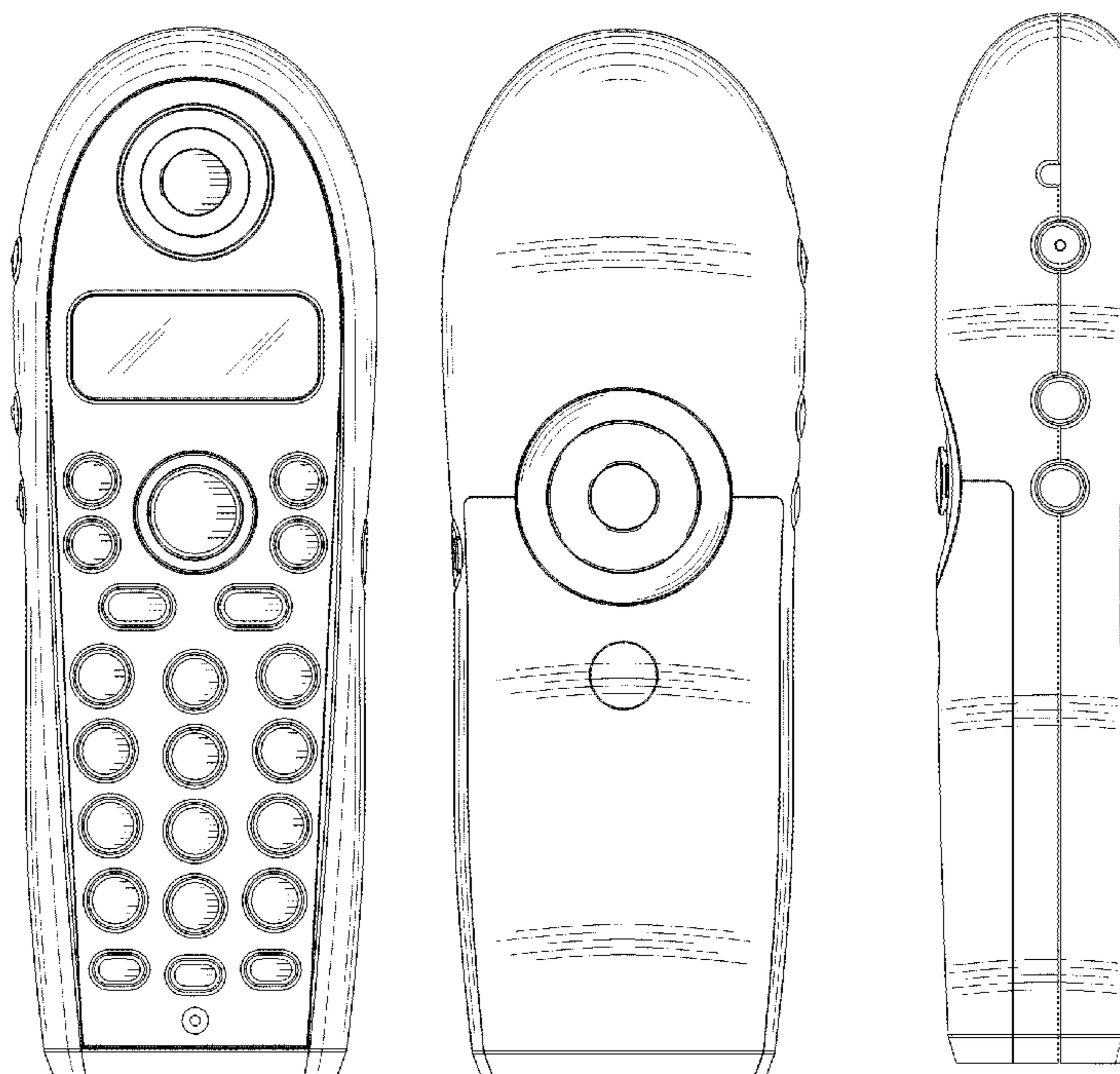
FIG. 5 is an opposite side view of the phone handset of FIG. 1;

FIG. 6 is a top view of the phone handset of FIG. 1; and,

FIG. 7 is a bottom view of the phone handset of FIG. 1.

The portions drawn in broken lines are shown for illustrative purposes only and do not form part of the claimed design.

1 Claim, 3 Drawing Sheets



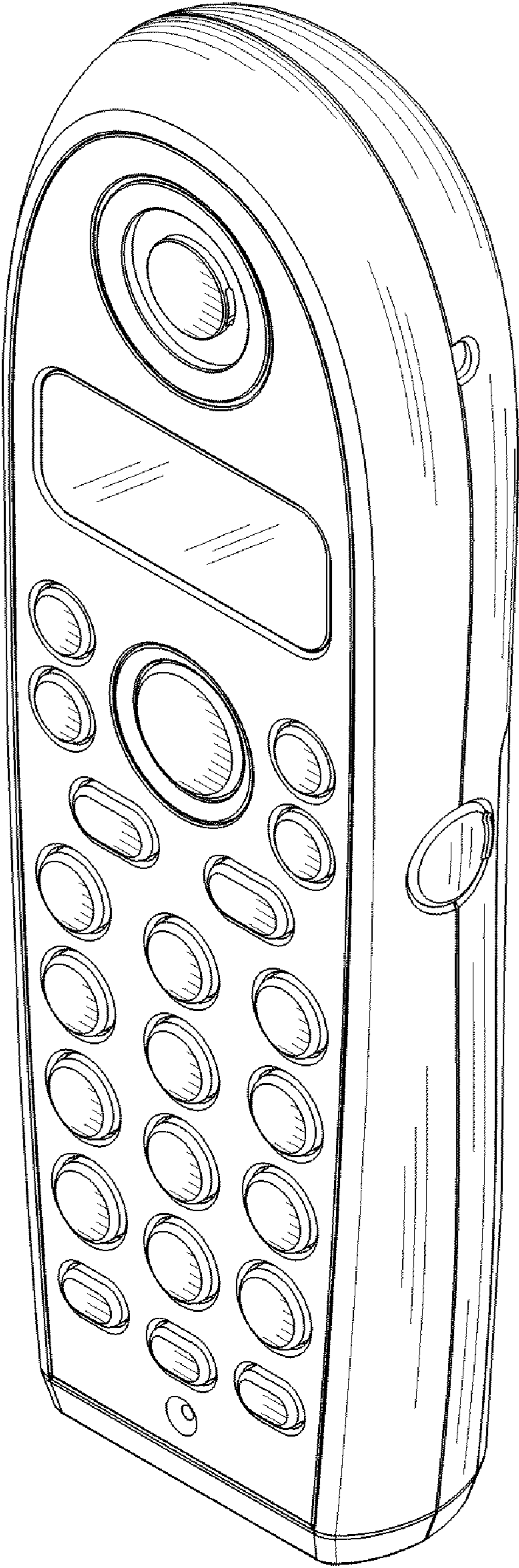


FIG. 1

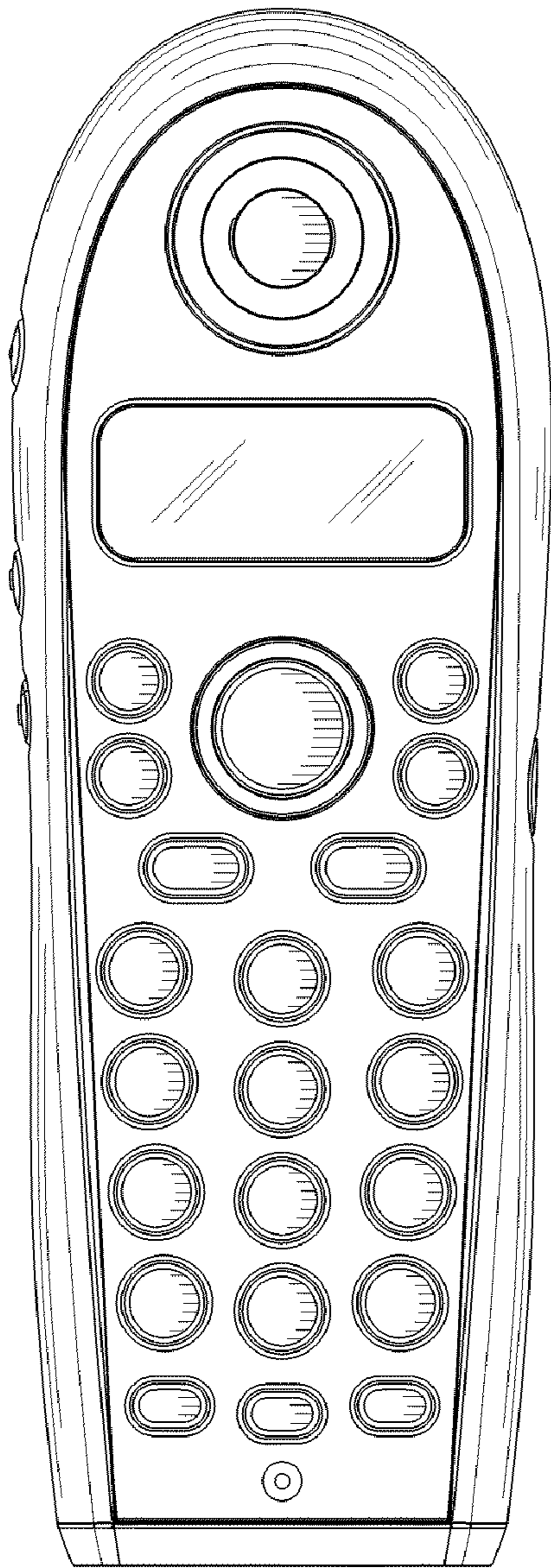


FIG. 2

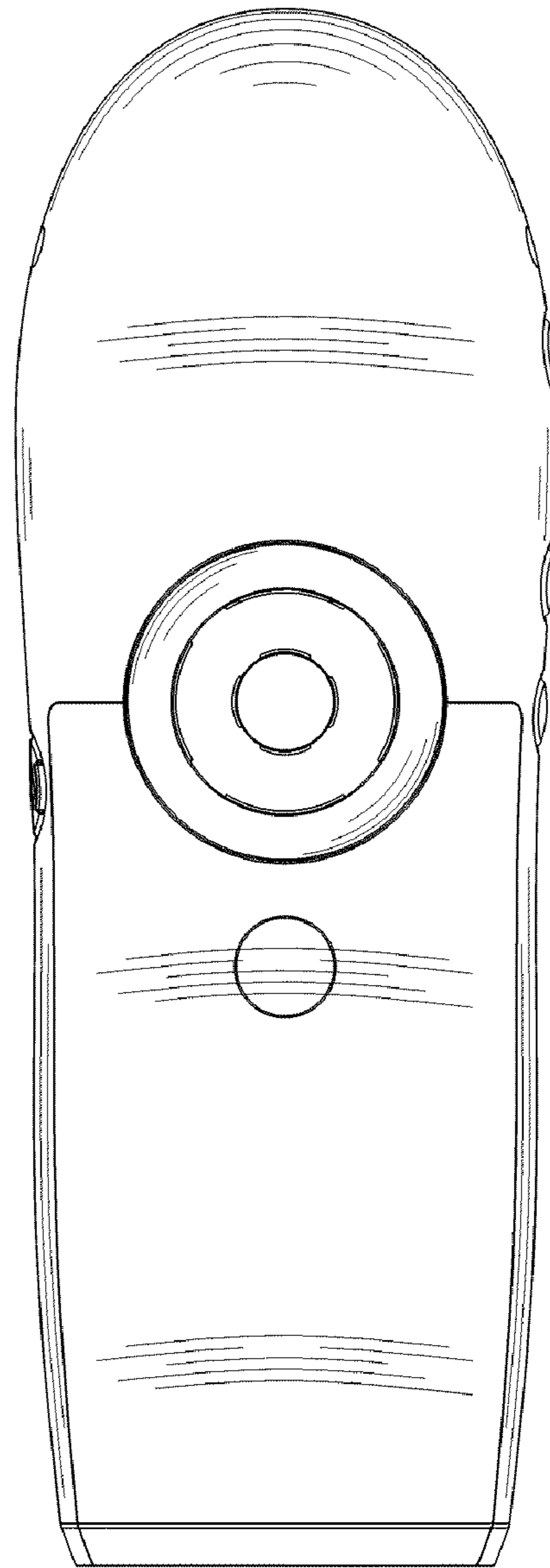


FIG. 3

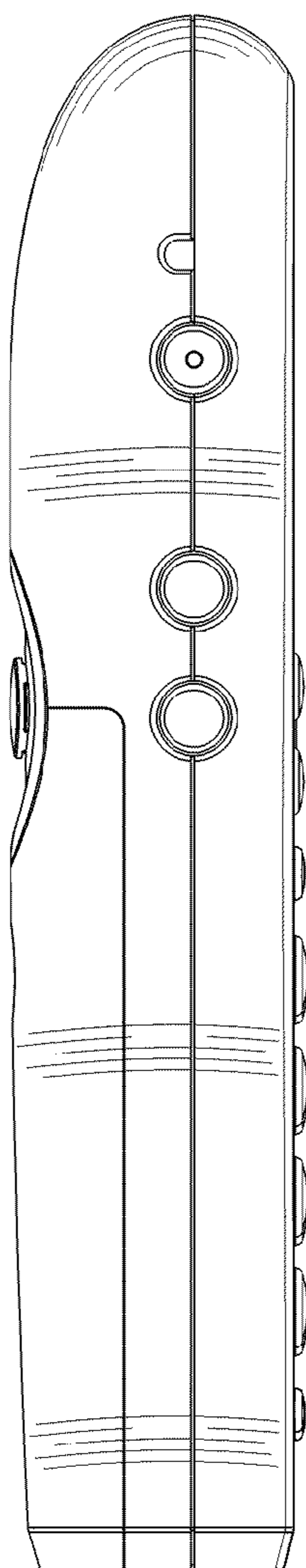


FIG. 4

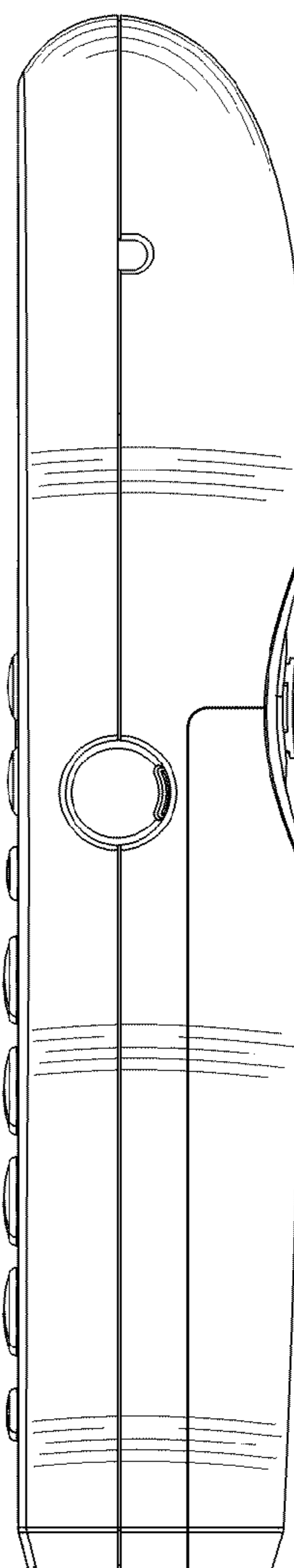


FIG. 5

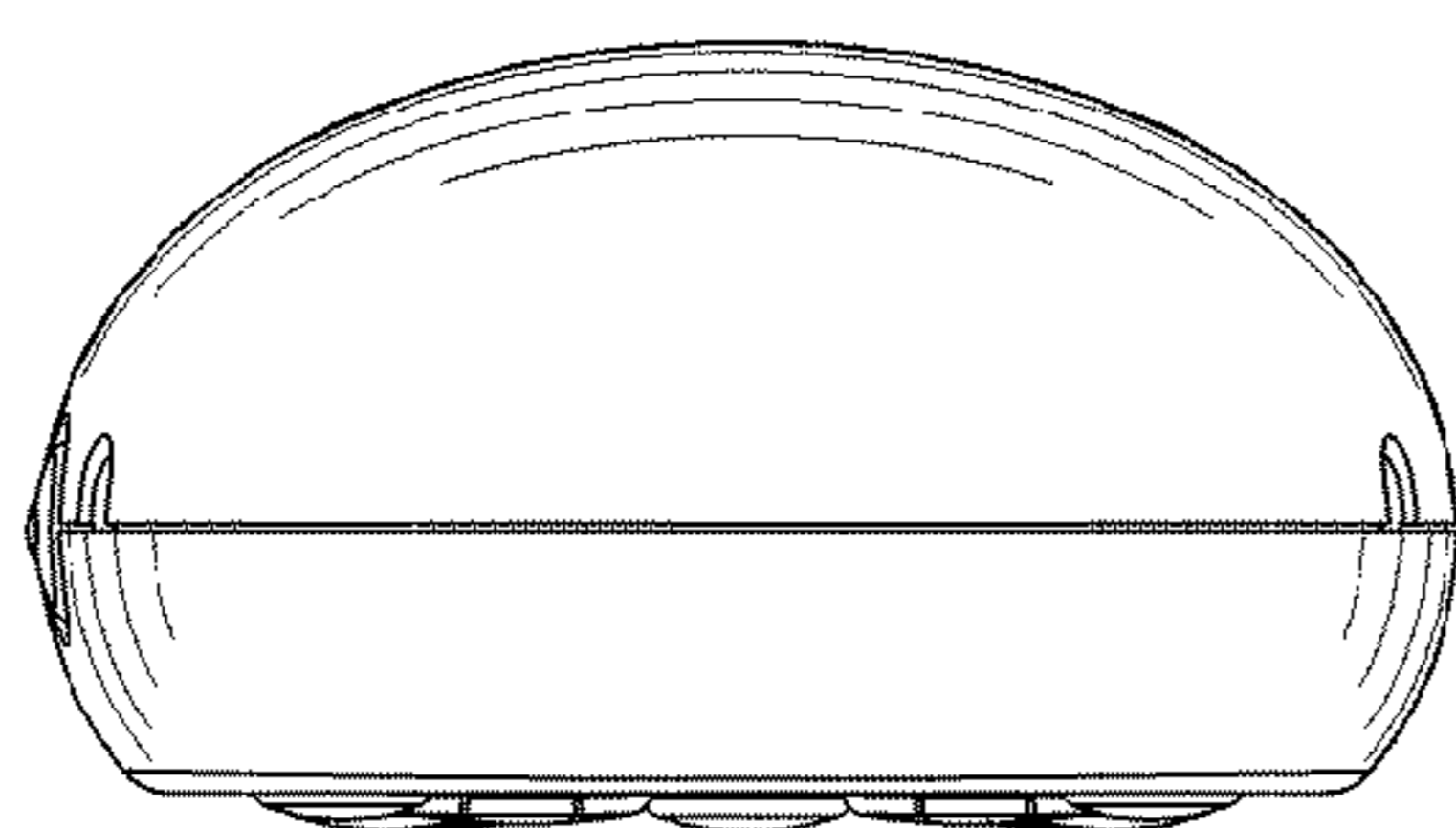


FIG. 6

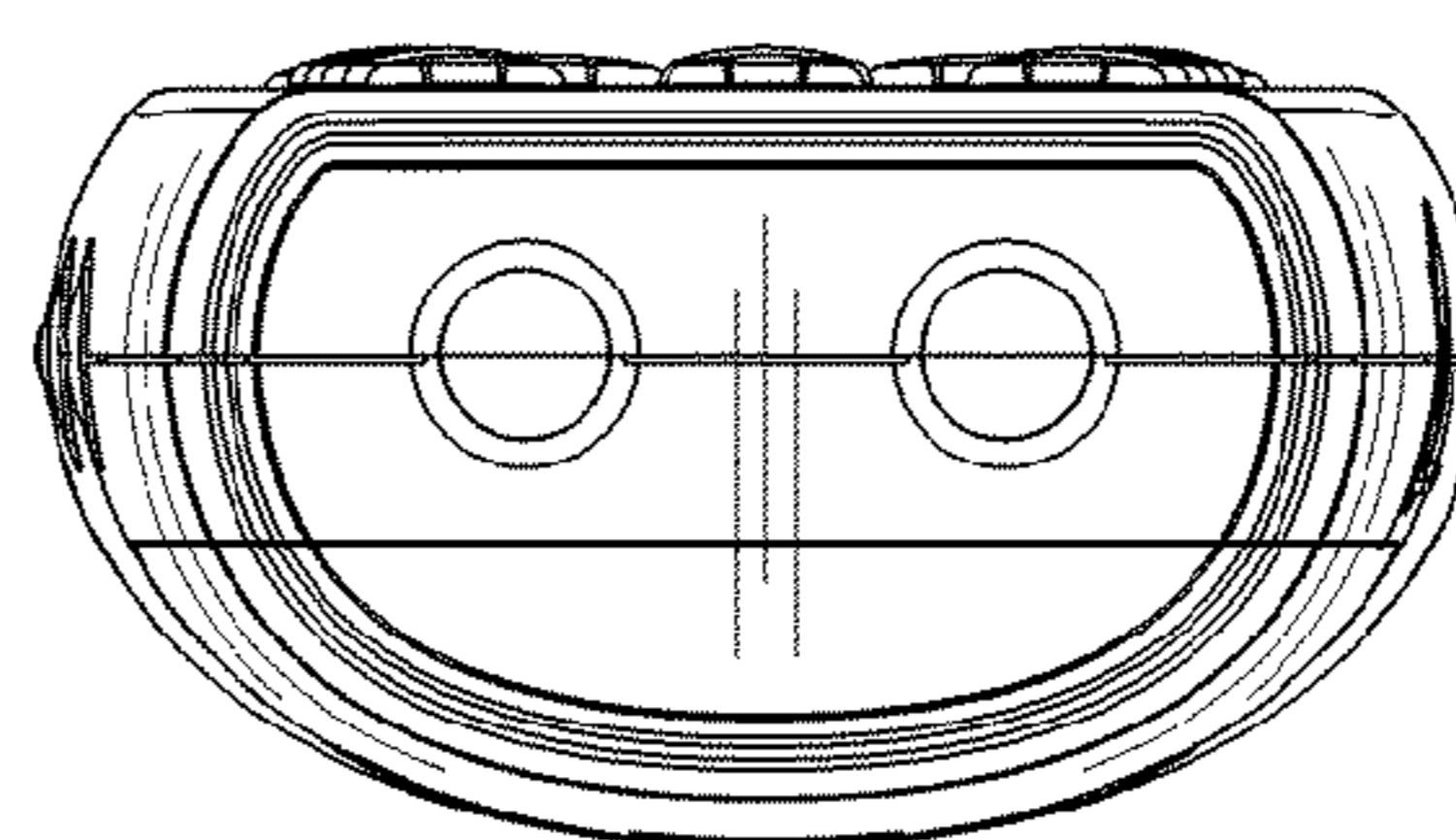


FIG. 7