



US00D553111S

(12) **United States Design Patent** (10) **Patent No.:** **US D553,111 S**  
**Holmung et al.** (45) **Date of Patent:** **\*\* Oct. 16, 2007**

(54) **HANDSET**

(75) Inventors: **Ingve Holmung**, London (GB);  
**Anthony Dalby**, Ealing (GB)

(73) Assignee: **Nokia Corporation**, Espoo (FI)

(\*\*) Term: **14 Years**

(21) Appl. No.: **29/246,229**

(22) Filed: **Mar. 24, 2006**

(30) **Foreign Application Priority Data**

Oct. 28, 2005 (FI) ..... M20050168

(51) **LOC (8) Cl.** ..... **14-03**

(52) **U.S. Cl.** ..... **D14/138**

(58) **Field of Classification Search** ..... D14/137,  
D14/138, 147, 218, 341-347; 455/90.3,  
455/556.1, 556.2, 575.1, 575.3, 575.4; 379/433.01-433.13;  
361/814; 348/14.02

See application file for complete search history.

(56) **References Cited**

**U.S. PATENT DOCUMENTS**

6,308,084 B1 \* 10/2001 Lonka ..... 455/556.1  
6,374,123 B1 \* 4/2002 Kim ..... 455/556.1

(Continued)

**FOREIGN PATENT DOCUMENTS**

WO DM/067110 \* 9/2005  
WO DM/067694 \* 3/2006

**OTHER PUBLICATIONS**

Nokia N80, announced 4<sup>th</sup> quarter 2005, [online], [retrieved on Feb. 5, 2007]. Retrieved from Internet ,<URL: <http://www.gsmarena.com>>.\*

Nokia N95, announced Sep. 2006, [online], [retrieved on Feb. 5, 2007]. Retrieved from Internet ,<URL: <http://www.gsmarena.com>>.\*

BenQ-Siemens CL71, announced Mar. 2006, [online], [retrieved on Feb. 7, 2007]. Retrieved from Internet ,<URL: <http://www.gsmarena.com>>.\*

Gigabyte g-Smart i, announced 2005, [online], [retrieved on Feb. 7, 2007]. Retrieved from Internet ,<URL: <http://www.gsmarena.com>>.\*

*Primary Examiner*—Jeffrey Asch

*Assistant Examiner*—Bridget L. Eland

(74) *Attorney, Agent, or Firm*—Banner & Witcoff, Ltd.

(57) **CLAIM**

The ornamental design for a handset, as shown and described.

**DESCRIPTION**

FIG. 1 is a bottom plan view of a handset showing our new design;

FIG. 2 is a right side view thereof;

FIG. 3 is a front view thereof;

FIG. 4 is a left side view thereof;

FIG. 5 is a top plan view thereof;

FIG. 6 is a rear view thereof;

FIG. 7 is a perspective front view thereof;

FIG. 8 is a perspective rear view thereof;

FIG. 9 is a front view of the handset of FIGS. 1-8 in an in-use open position;

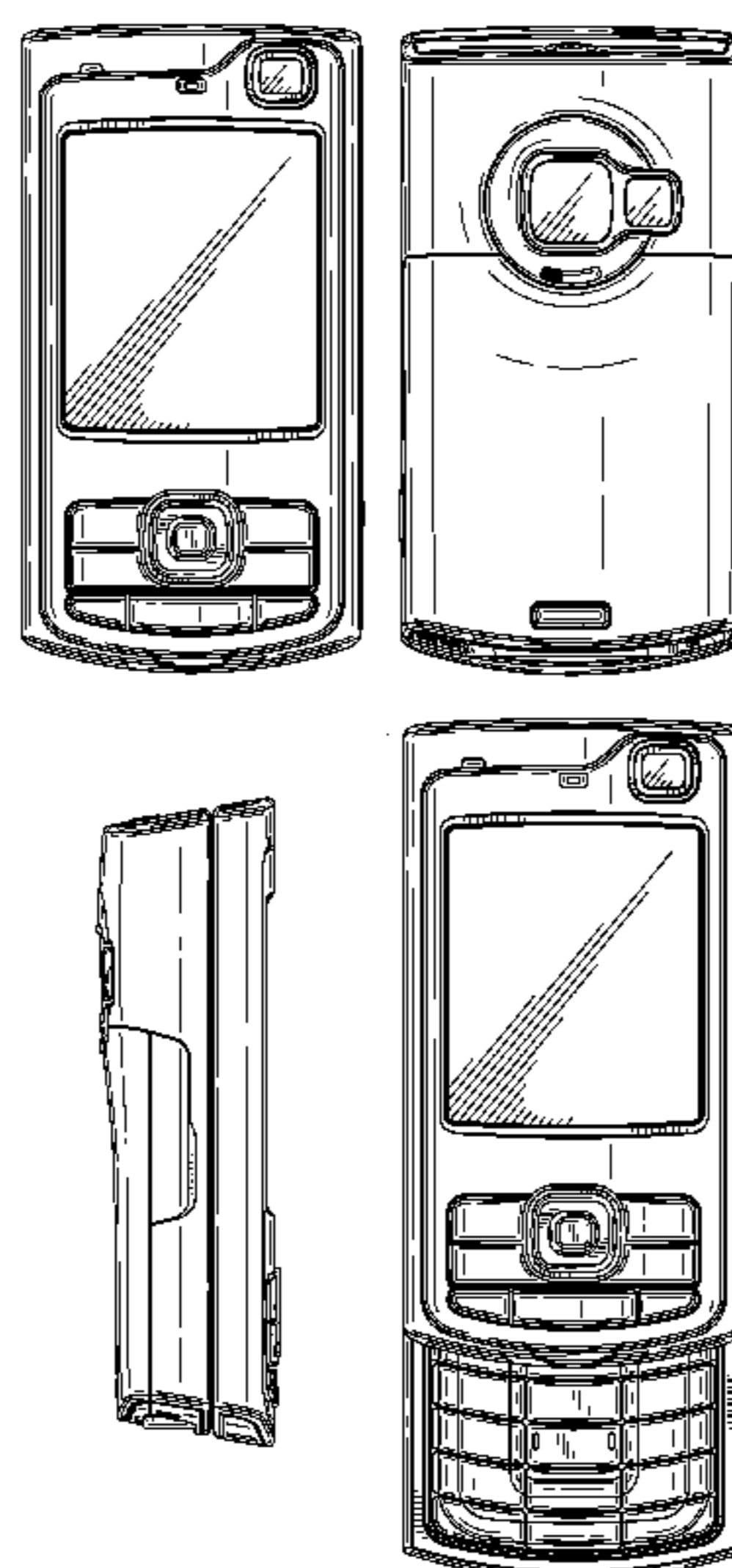
FIG. 10 is a perspective front view of the handset of FIGS. 1-8 in an in-use open position;

FIG. 11 is a perspective rear view of the handset of FIGS. 1-8 in an in-use open position;

FIG. 12 is a right side view of the handset of FIGS. 1-8 in an in-use open position; and,

FIG. 13 is a left side view of the handset of FIGS. 1-8 in an in-use open position.

**1 Claim, 8 Drawing Sheets**



# US D553,111 S

Page 2

---

## U.S. PATENT DOCUMENTS

D503,164 S *	3/2005	Park et al. ....	D14/138	2005/0233708 A1*	10/2005	Im et al. ....	455/90.3
D525,609 S *	7/2006	Kim et al. ....	D14/138	2005/0245297 A1*	11/2005	Lee et al. ....	455/575.4
D527,366 S *	8/2006	Lee .....	D14/138	2005/0255897 A1*	11/2005	Lee et al. ....	455/575.4
D528,532 S *	9/2006	Dimitriadis et al. ....	D14/138	2005/0266897 A1*	12/2005	Ahn et al. ....	455/575.1
D534,515 S *	1/2007	Kim et al. ....	D14/138	2006/0046796 A1*	3/2006	Park et al. ....	455/575.4
2005/0079898 A1*	4/2005	Park .....	455/575.1	2006/0148544 A1*	7/2006	Kim .....	455/575.4
2005/0113154 A1*	5/2005	Park et al. ....	455/575.4				

\* cited by examiner

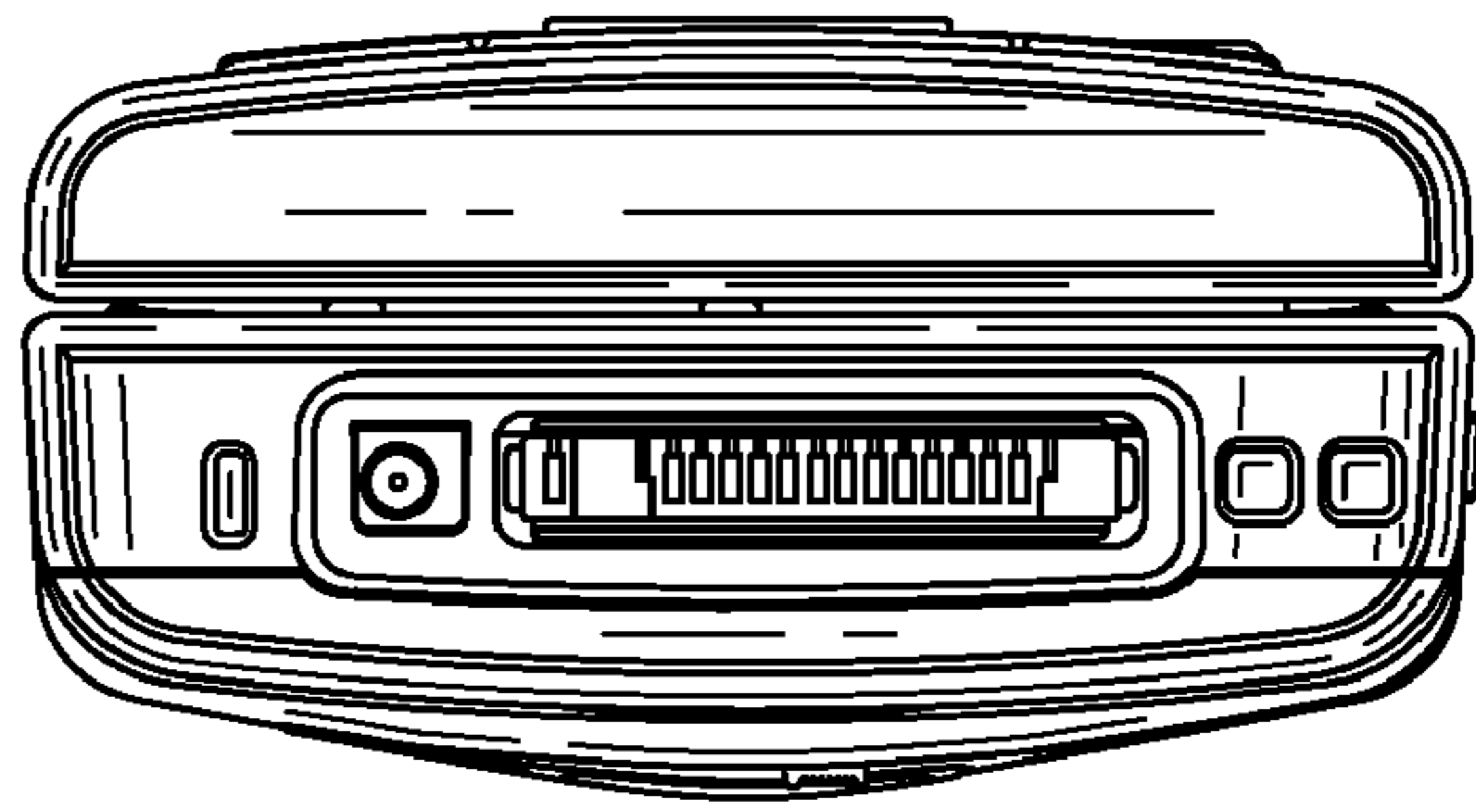


FIG. 1

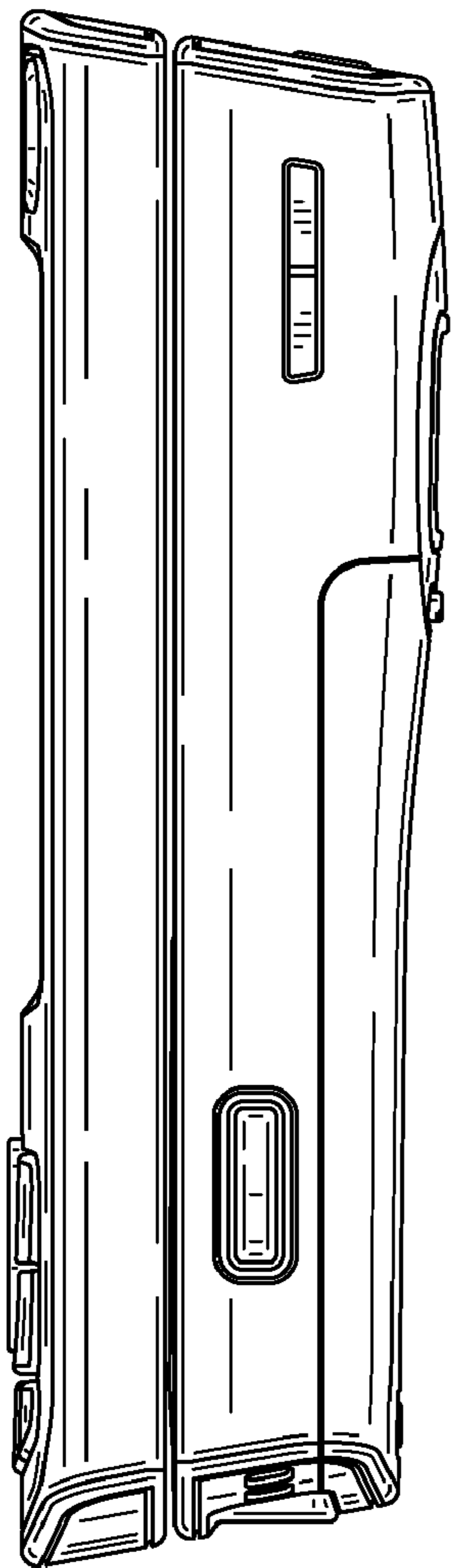


FIG. 2

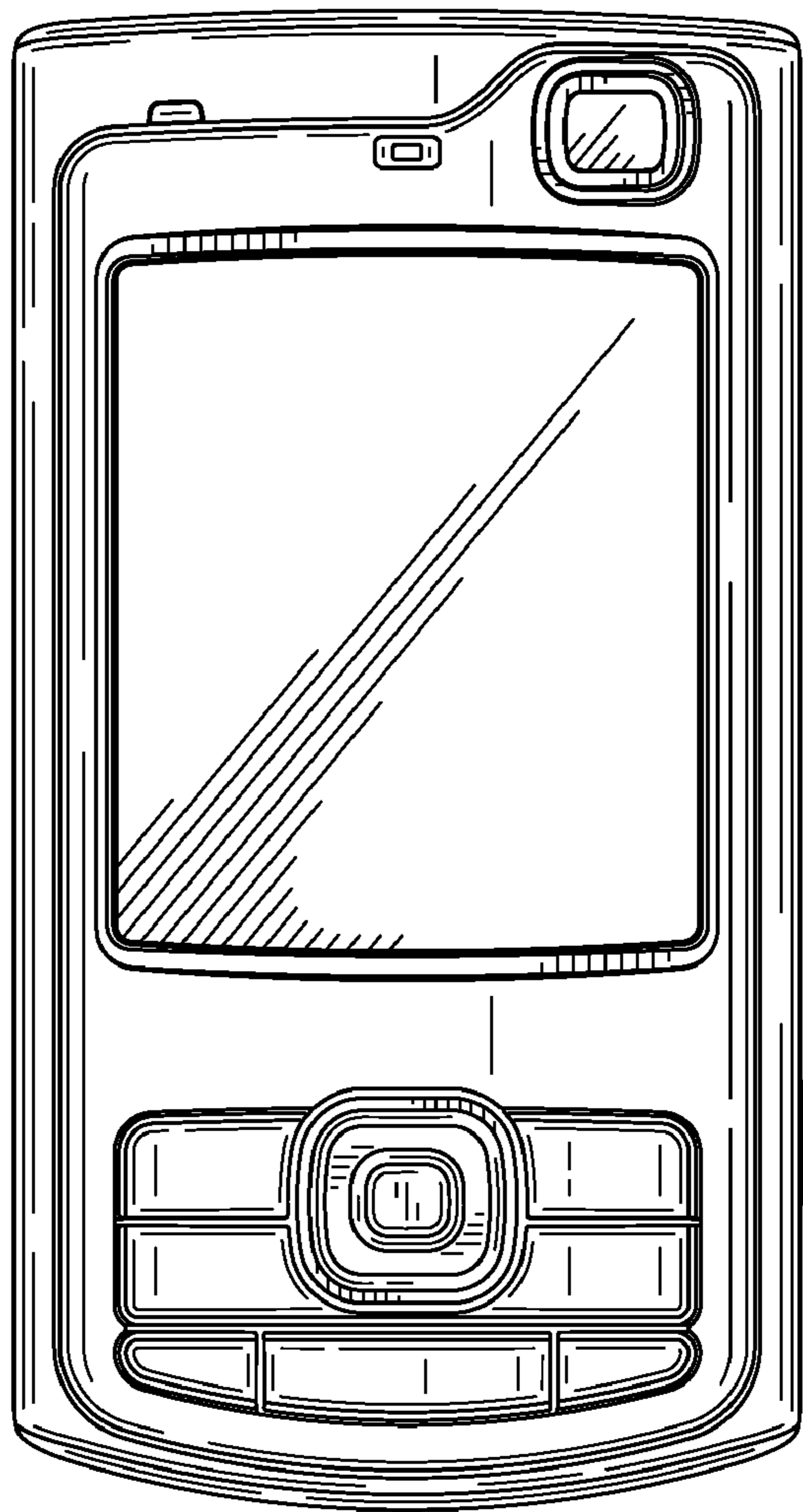


FIG. 3

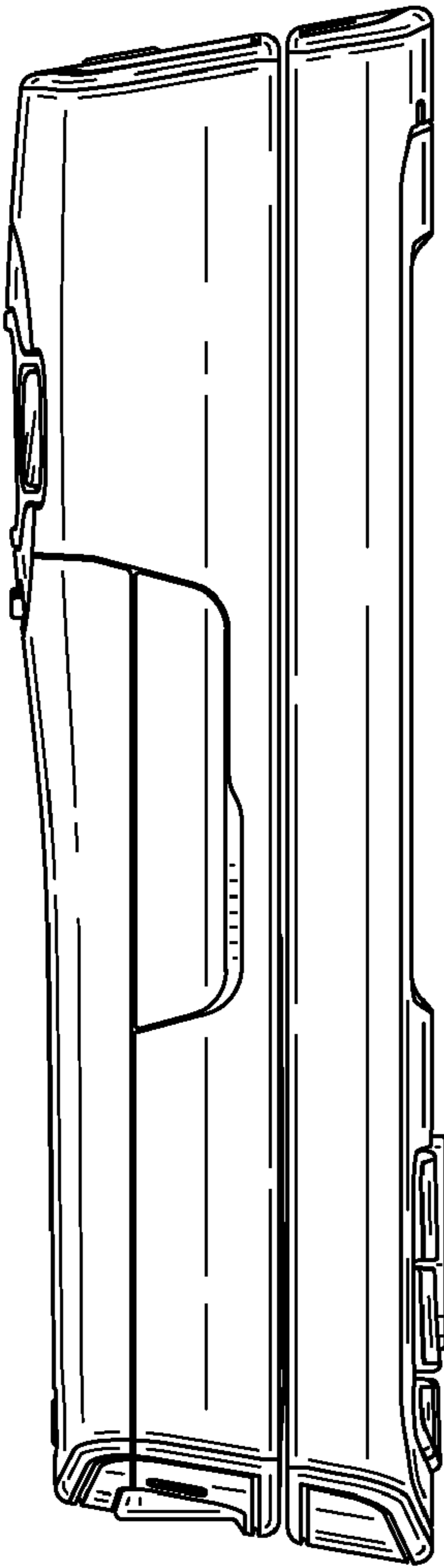


FIG. 4

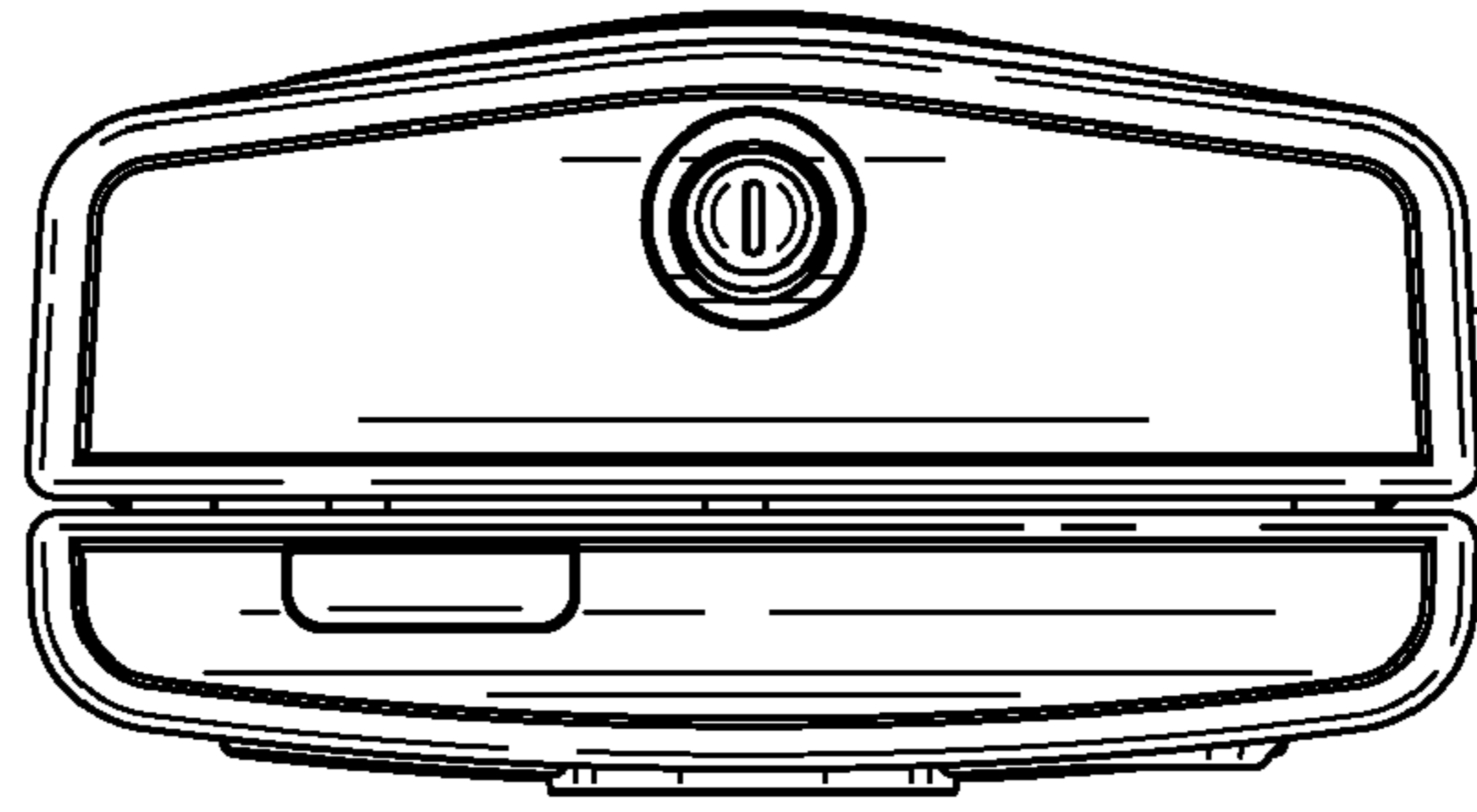


FIG. 5

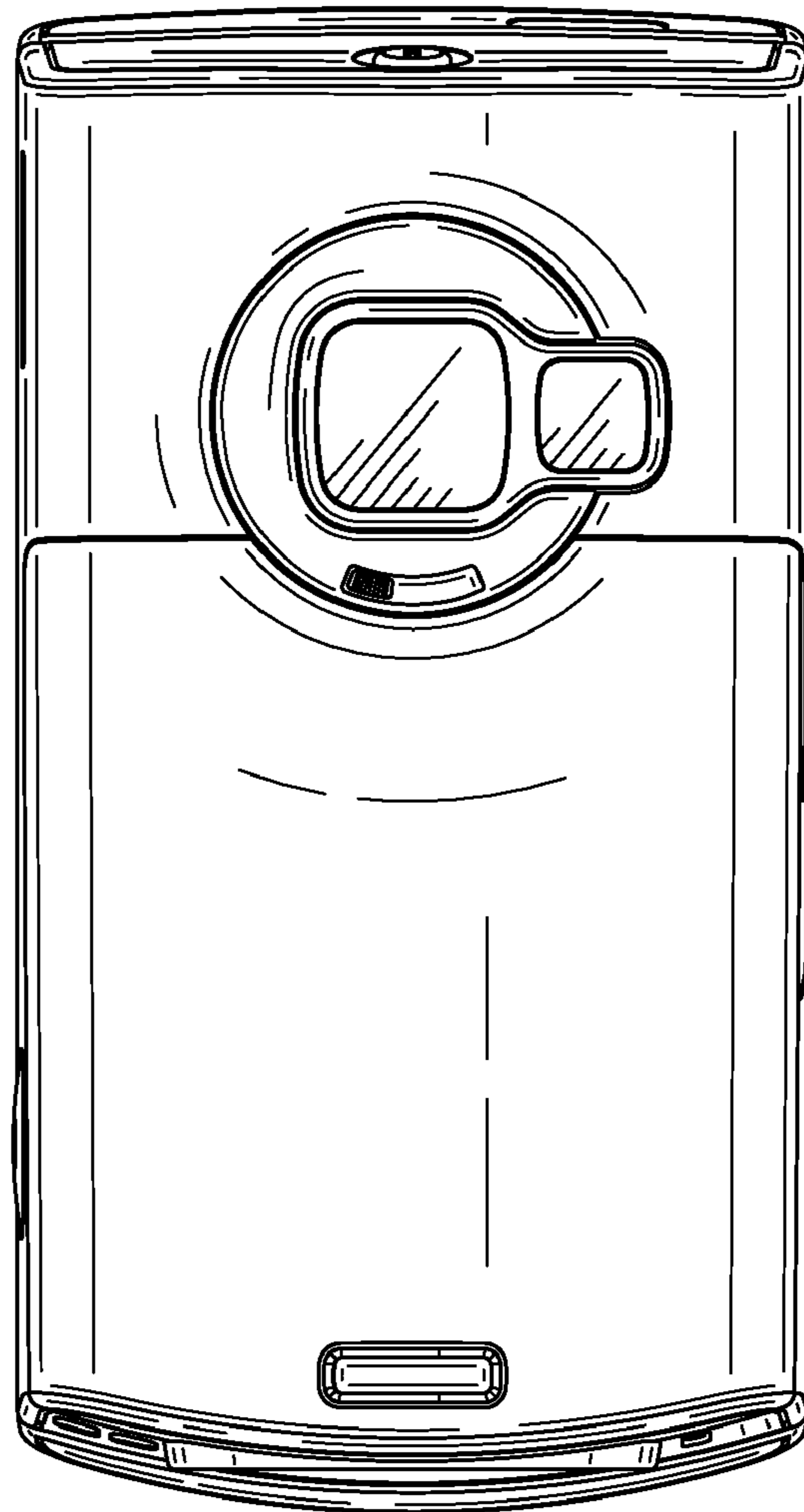


FIG. 6



FIG. 7

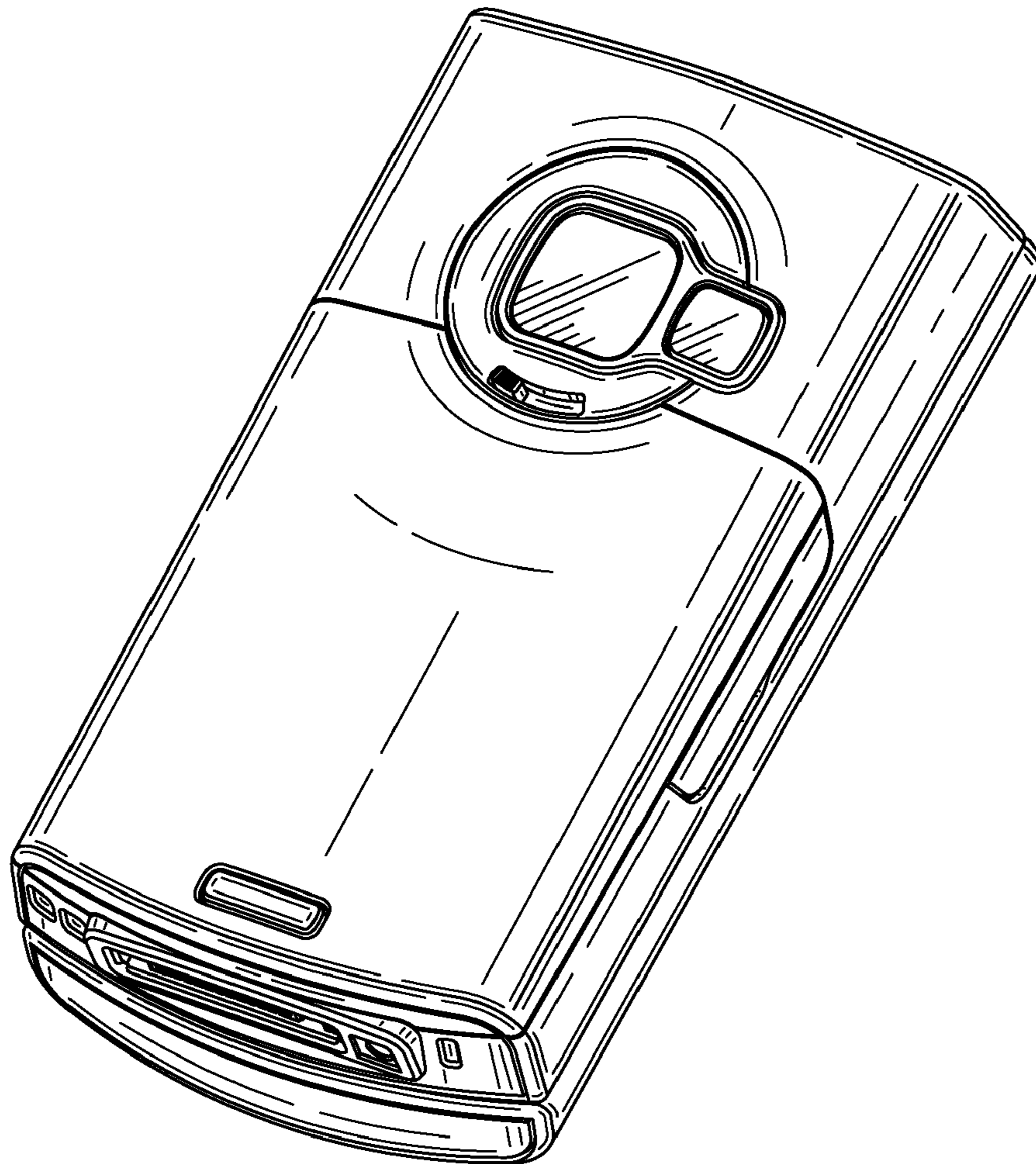


FIG. 8

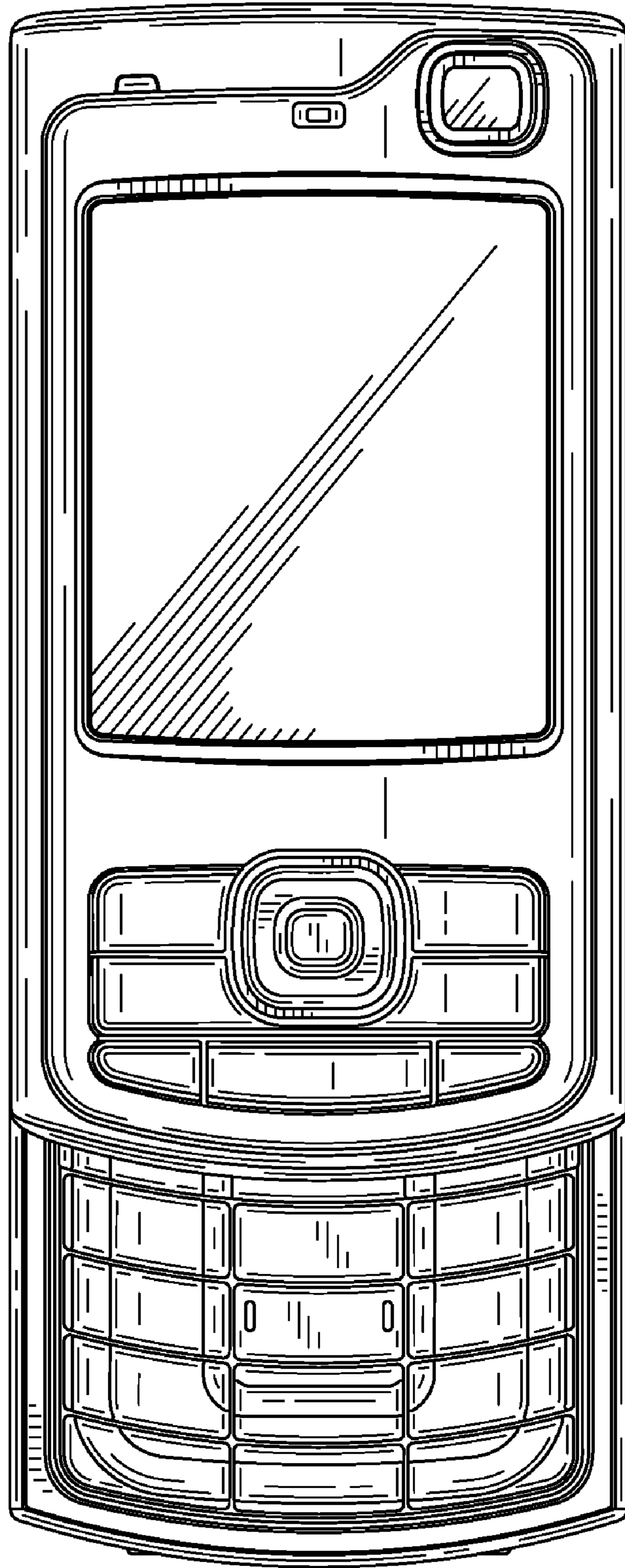


FIG. 9

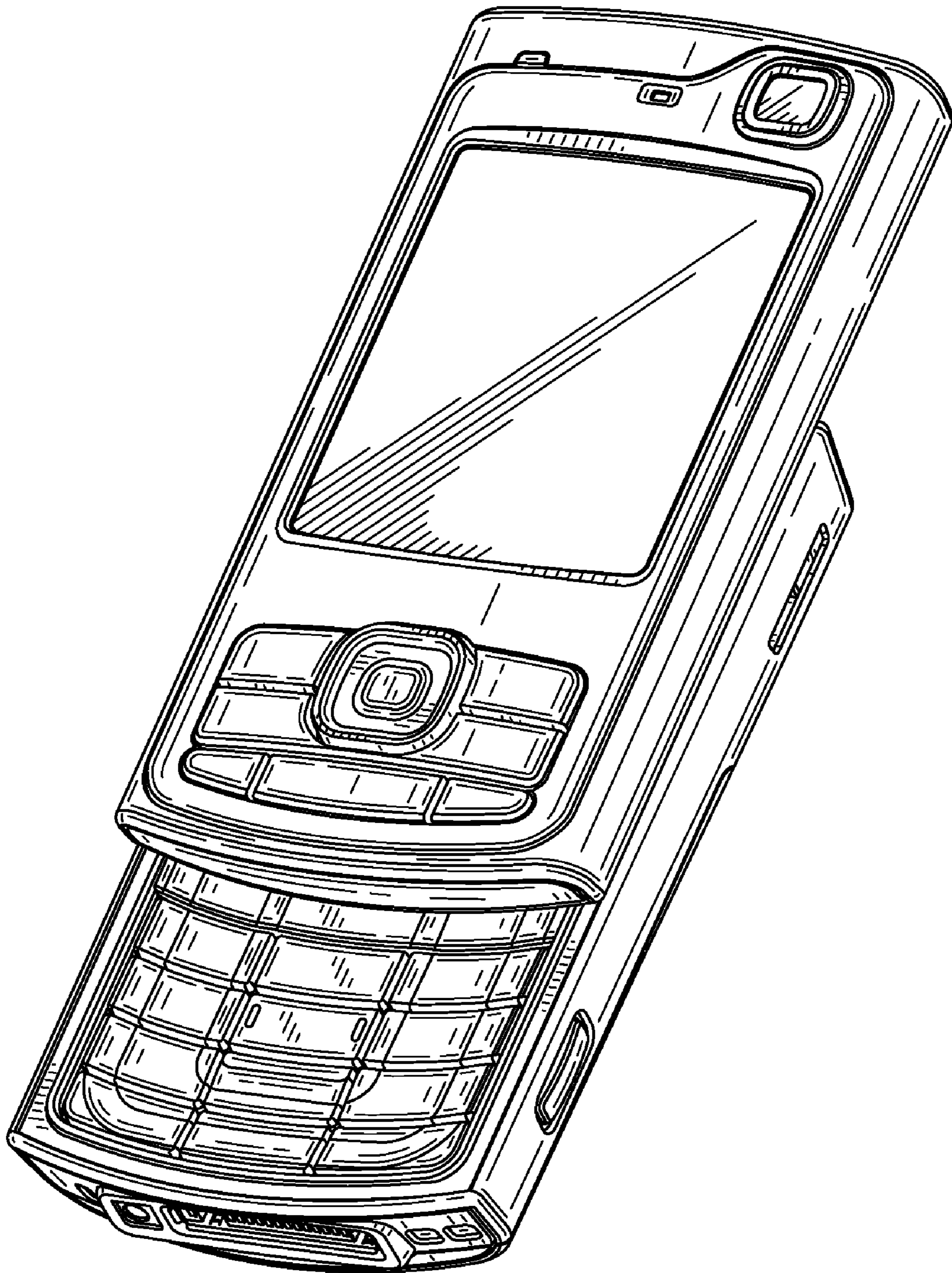


FIG. 10



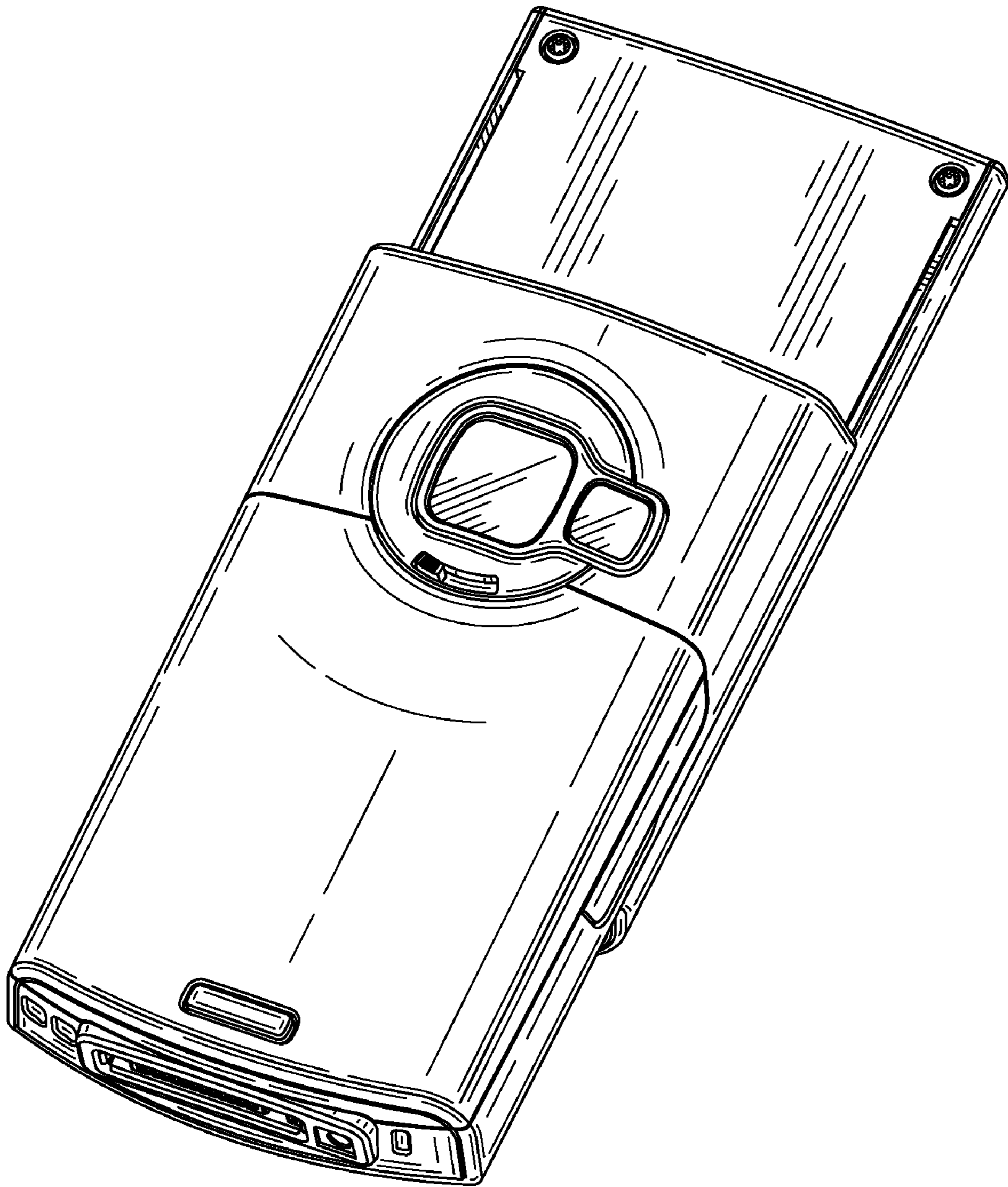


FIG. 11

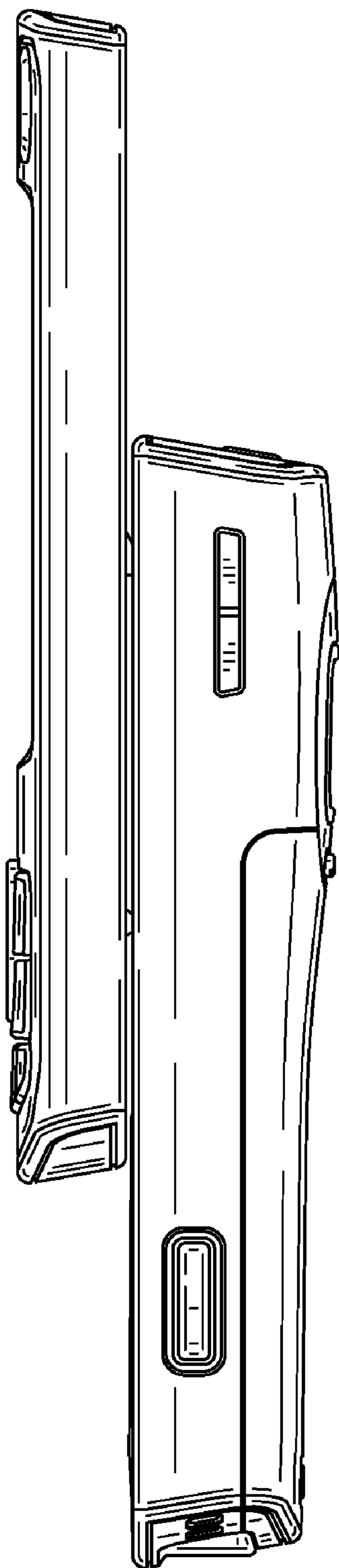


FIG. 12

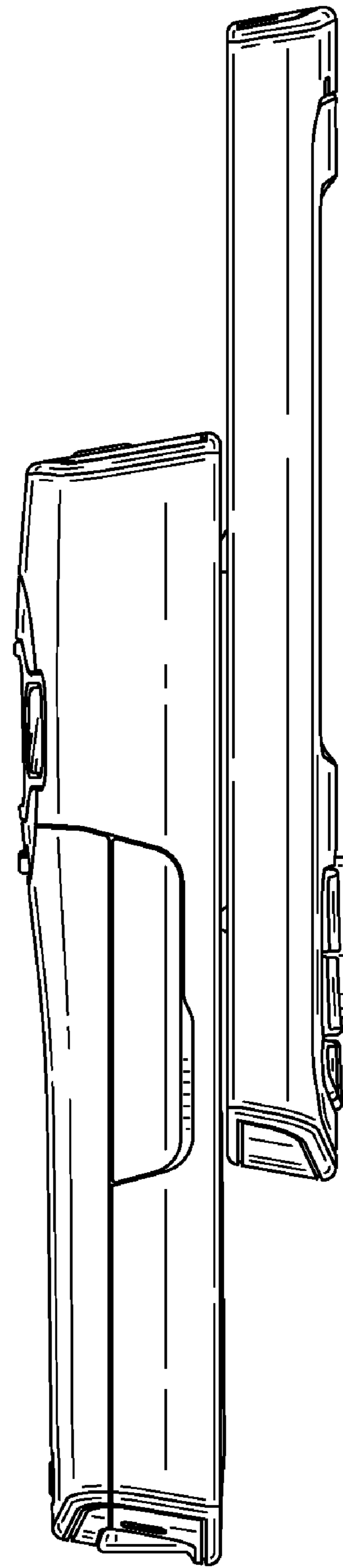


FIG. 13