



US00D553106S

(12) **United States Design Patent**  
**Griffin**

(10) **Patent No.:** **US D553,106 S**

(45) **Date of Patent:** **\*\* Oct. 16, 2007**

(54) **DOCKING STATION FOR USE WITH A  
HANDHELD ELECTRONIC DEVICE**

D540,816 S \* 4/2007 Kim ..... D14/496

(76) Inventor: **Paul Griffin**, 2846 Polo Club Rd.,  
Nashville, TN (US) 37221

(\*\*) Term: **14 Years**

(21) Appl. No.: **29/265,820**

(22) Filed: **Sep. 8, 2006**

(51) **LOC (8) Cl.** ..... **14-02**

(52) **U.S. Cl.** ..... **D13/217**

(58) **Field of Classification Search** ..... D14/142,  
D14/149, 217, 224, 251, 253, 432, 434, 435,  
D14/447, 496; D13/107, 108, 118; 248/221.11,  
248/309.1; 320/107, 110, 113–115; 361/600,  
361/679, 683, 686; 439/529, 534; 455/556.1,  
455/556.2, 557

See application file for complete search history.

(56) **References Cited**

**U.S. PATENT DOCUMENTS**

D227,117 S *	6/1973	Breger	.....	D14/251
D327,868 S *	7/1992	Oka	.....	D13/110
D412,162 S *	7/1999	Tal et al.	.....	D14/447
D440,542 S *	4/2001	Hawkins et al.	.....	D14/346
D453,155 S *	1/2002	Michel	.....	D14/253
D483,016 S *	12/2003	Ma et al.	.....	D13/108
D486,492 S *	2/2004	Sheu et al.	.....	D14/434
D520,013 S *	5/2006	Yang	.....	D14/434
D522,999 S *	6/2006	Smith-Adams et al.	....	D14/191

**OTHER PUBLICATIONS**

iNano Blog, "Griffin TuneCenter pour iPod", [http://www.inanoblog.fr/inano/2006/01/griffin\\_tunecen.html](http://www.inanoblog.fr/inano/2006/01/griffin_tunecen.html), Jan. 13, 2006, 1 pg.\*

\* cited by examiner

*Primary Examiner*—Mitchell Siegel

*Assistant Examiner*—Keli' L. Acker

(74) *Attorney, Agent, or Firm*—Michael E. McKee

(57) **CLAIM**

The ornamental design for a docking station for use with a handheld electronic device, as shown and described.

**DESCRIPTION**

FIG. 1 is a perspective view of a docking station for use with a handheld electronic device showing my new design;

FIG. 2 is front view thereof;

FIG. 3 is a top view thereof;

FIG. 4 is a right side view thereof, the left side view thereof being a mirror image;

FIG. 5 is a back view thereof; and,

FIG. 6 is a bottom view thereof.

The broken line showing of the plugs is included for the purpose of illustrating environmental structure and forms no part of the claimed design.

**1 Claim, 3 Drawing Sheets**

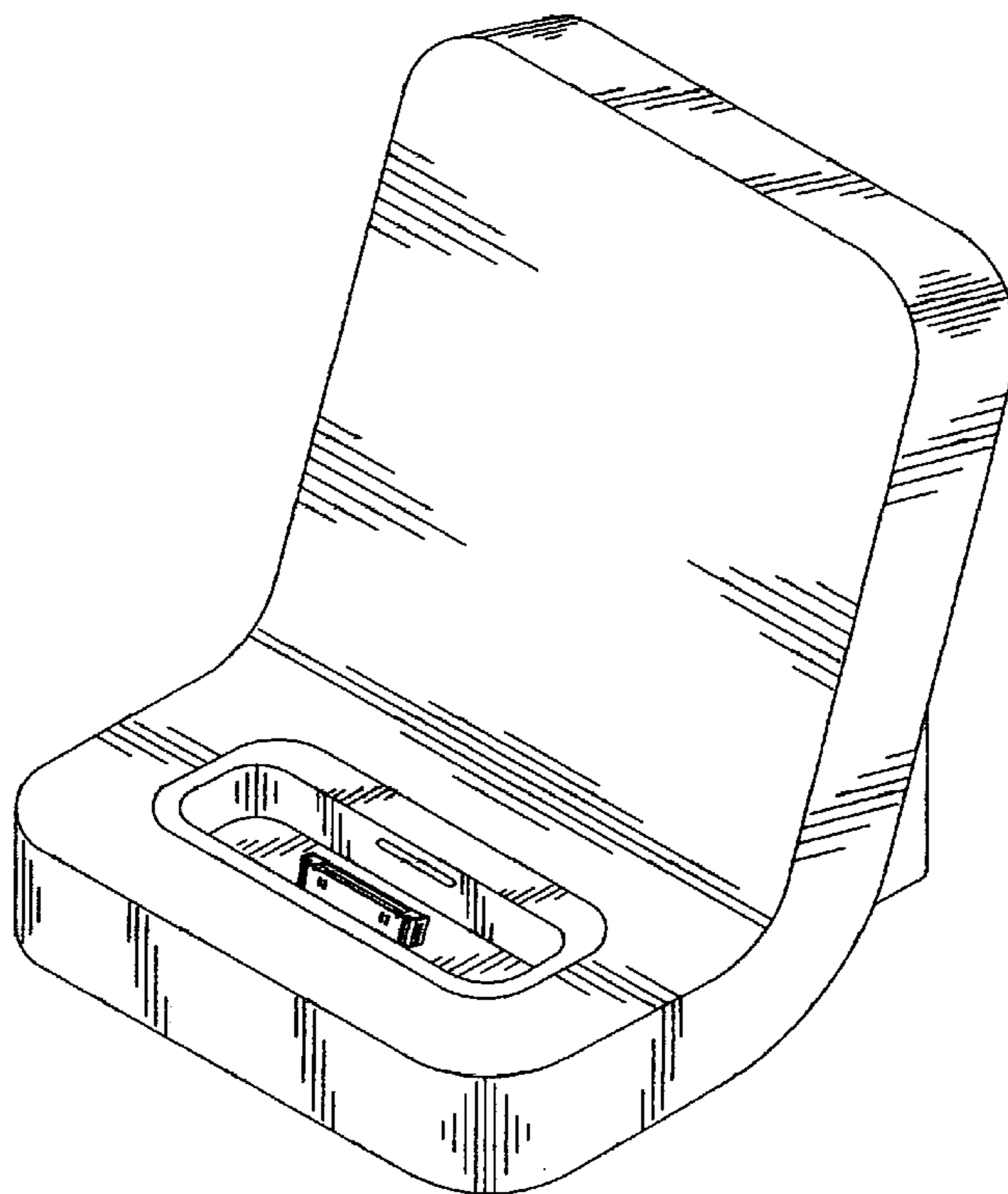
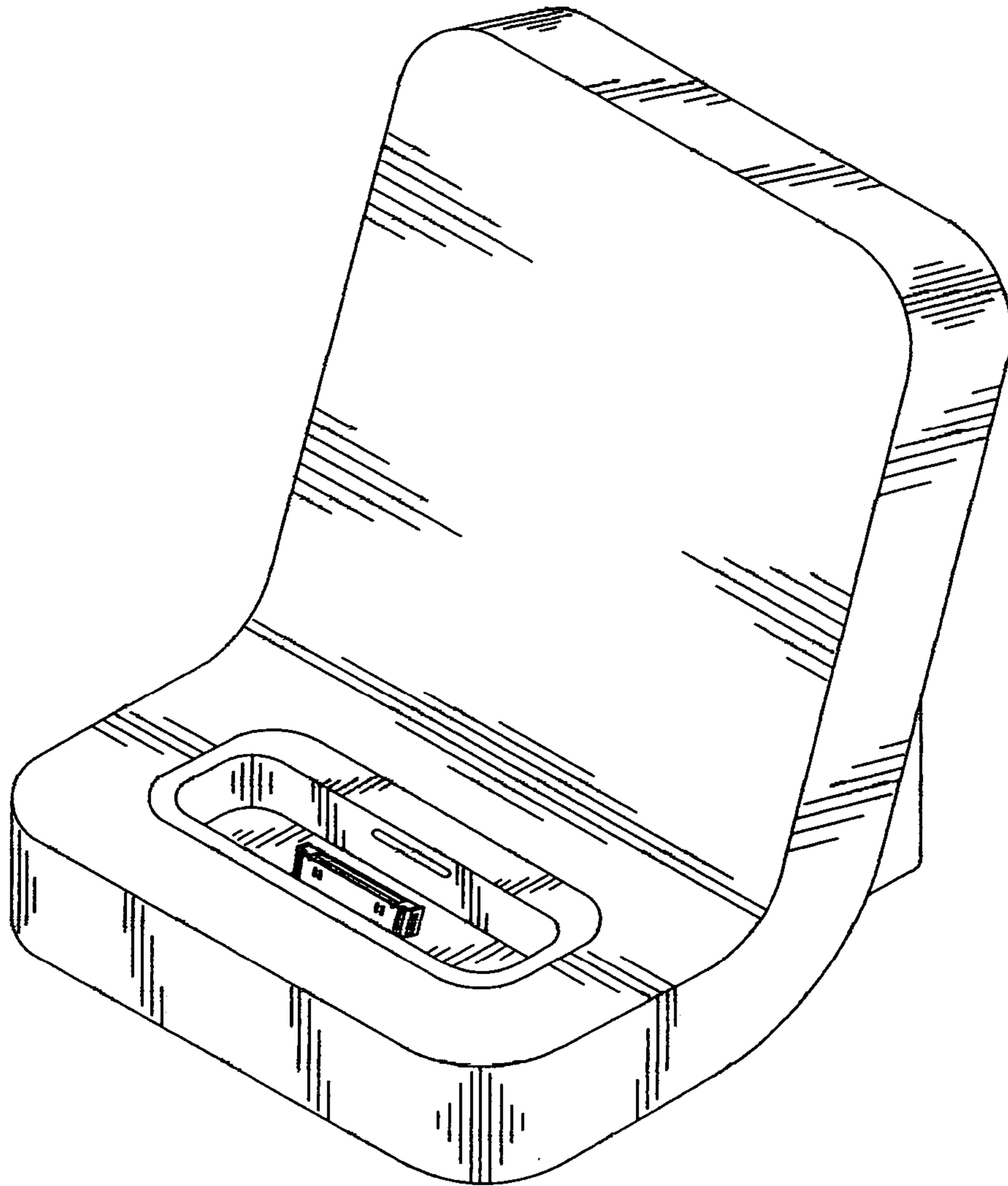


FIG. 1



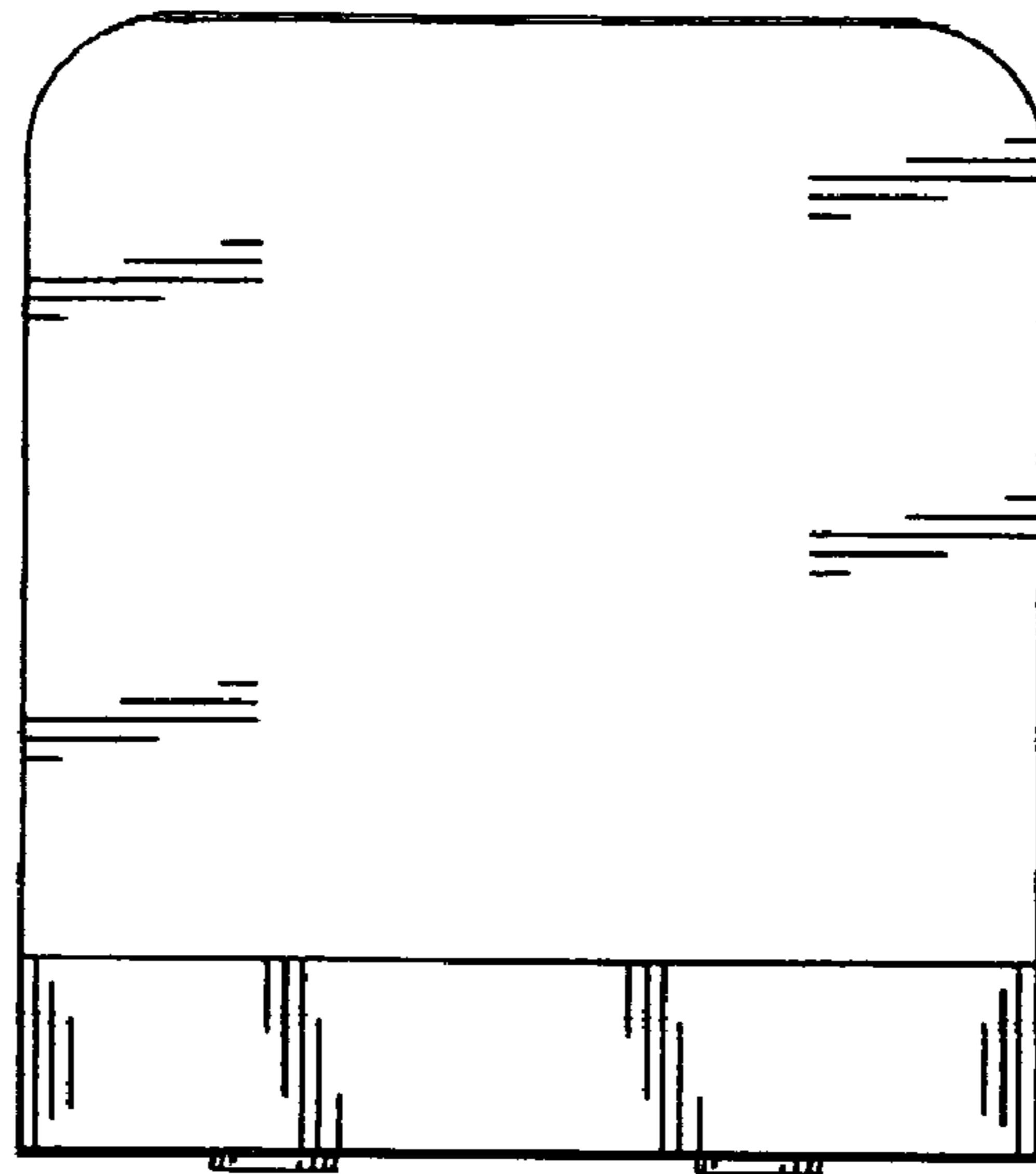


FIG. 2

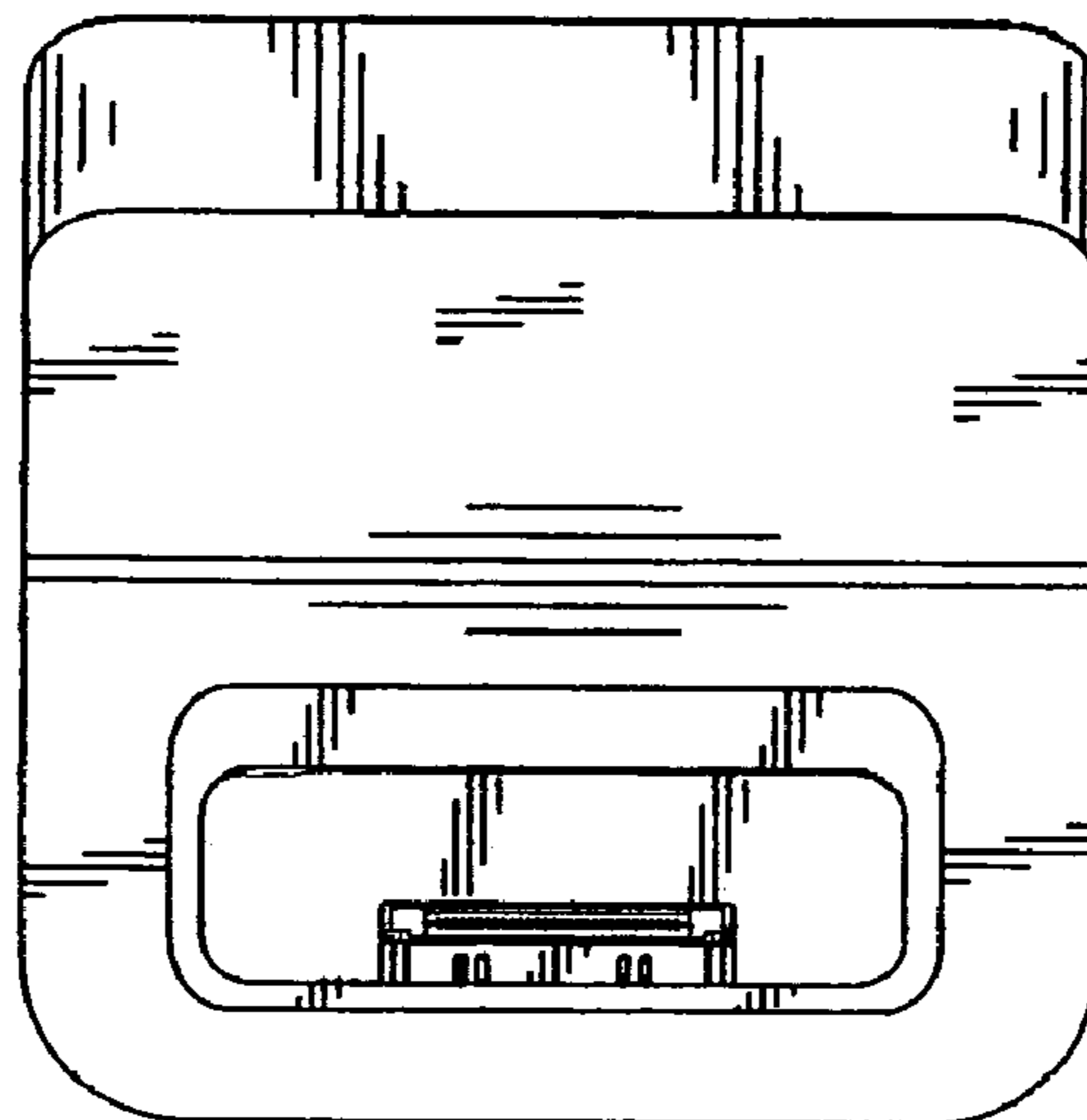


FIG. 3

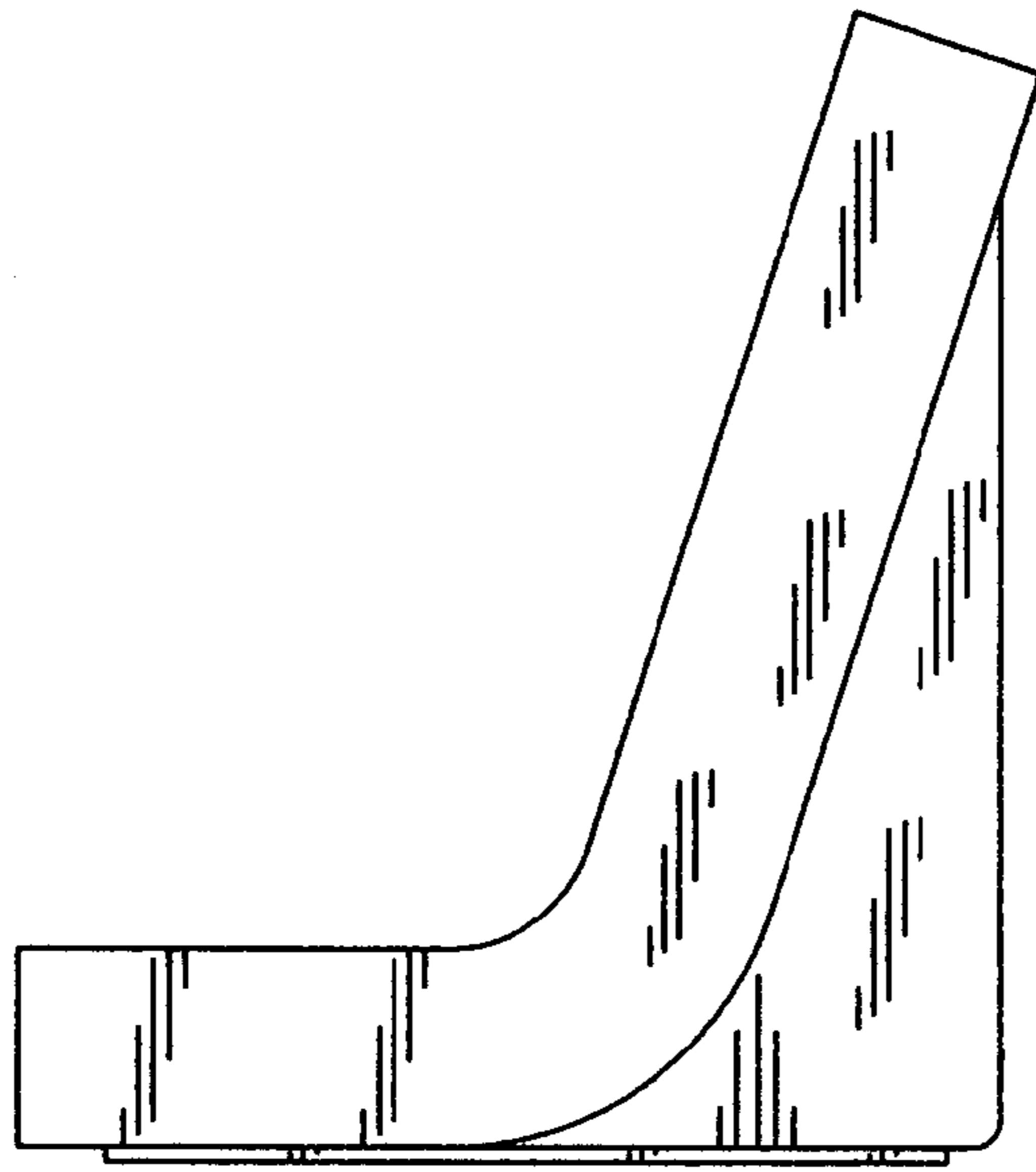


FIG. 4

FIG. 5

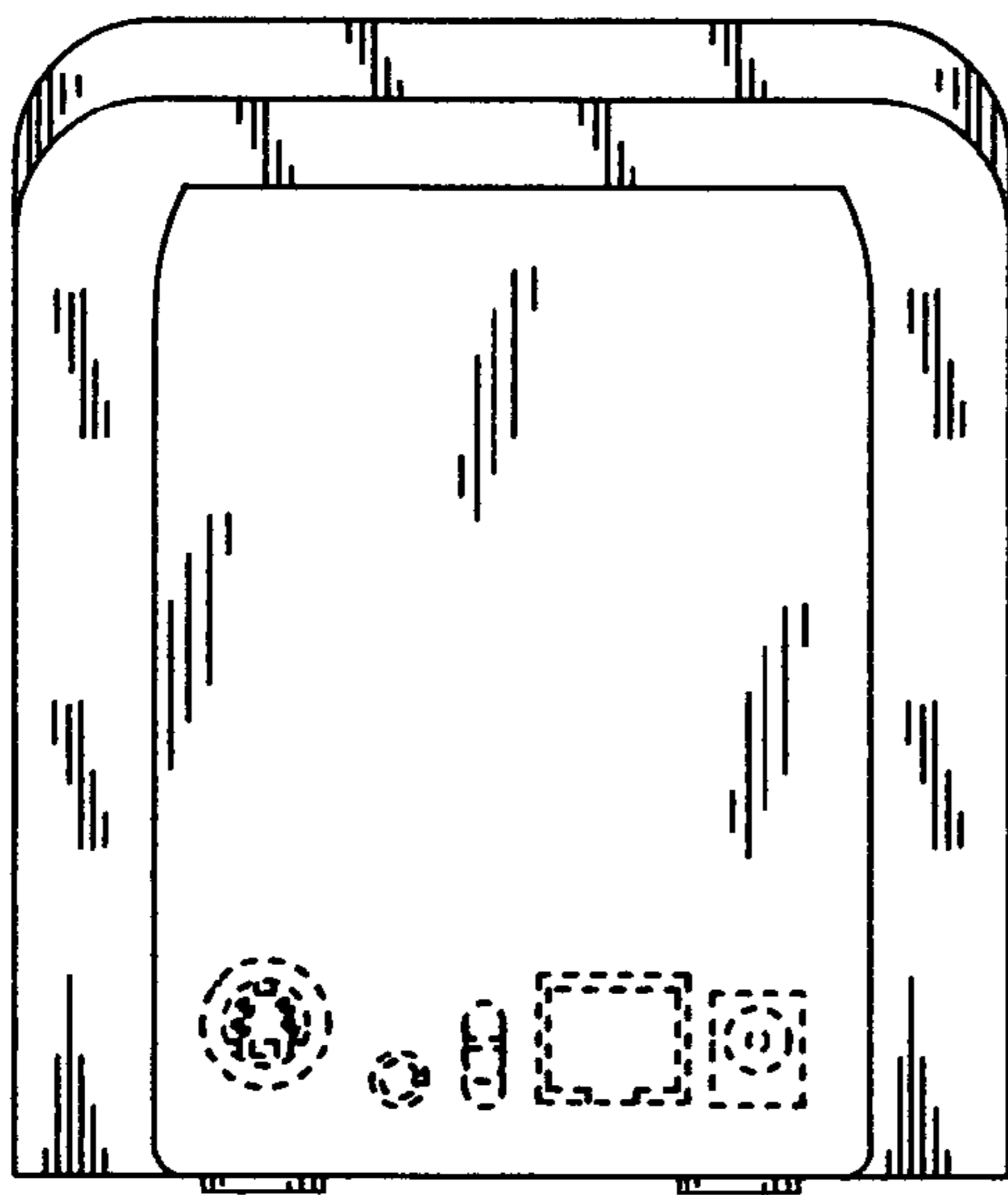


FIG. 6

