



US00D553101S

(12) **United States Design Patent**
Richardson

(10) **Patent No.:** **US D553,101 S**

(45) **Date of Patent:** **** Oct. 16, 2007**

(54) **ELECTRICAL SWITCH ASSEMBLY**

(76) **Inventor:** **Wayne Richardson**, 8380 Carbondale,
Detroit, MI (US) 48204

(**) **Term:** **14 Years**

(21) **Appl. No.:** **29/220,020**

(22) **Filed:** **Dec. 27, 2004**

(51) **LOC (8) Cl.** **13-03**

(52) **U.S. Cl.** **D13/169; D13/139.3**

(58) **Field of Classification Search** D26/72,
D26/73, 85, 87, 92, 118, 128-130, 137, 145-147,
D26/155, 156; 362/147, 362, 370, 371, 431,
362/432; D13/137.1, 139.1, 139.3, 139.6,
D13/158, 160, 169, 184; D14/433; 174/50-51,
174/53-58, 66-67; 439/105-107, 535, 650-655,
439/692

See application file for complete search history.

(56) **References Cited**

U.S. PATENT DOCUMENTS

| | | | | |
|---------------|---------|------------------|-------|-----------|
| D63,053 S * | 9/1923 | Klein | | D26/85 |
| 1,569,864 A * | 1/1926 | Leppert | | 200/295 |
| D72,714 S * | 5/1927 | Lipschutz | | D26/87 |
| 2,734,115 A * | 2/1956 | Dupre | | 200/293 |
| 2,946,838 A * | 7/1960 | Bellek | | 174/53 |
| 3,034,083 A * | 5/1962 | Traher | | 439/101 |
| 3,059,045 A * | 10/1962 | Swartwood | | 174/53 |
| 3,119,895 A * | 1/1964 | Pahner | | 174/51 |
| 3,335,900 A * | 8/1967 | Mackiewicz | | 220/242 |
| 3,900,238 A * | 8/1975 | Anderson | | 439/107 |
| 3,953,933 A * | 5/1976 | Goldstein | | 40/642.02 |
| D314,077 S * | 1/1991 | Judd et al. | | D13/160 |
| D320,596 S * | 10/1991 | Sdunek | | D13/174 |
| D323,613 S * | 2/1992 | Cummins et al. | | D8/353 |
| D354,943 S * | 1/1995 | Williams et al. | | D13/137.1 |
| 5,735,710 A | 4/1998 | Blaauboer et al. | | |

| | | | | |
|-------------------|---------|-------------------|-------|-----------|
| 5,823,821 A * | 10/1998 | Tohanczyn, Jr. | | 439/538 |
| D439,362 S * | 3/2001 | Berry | | D26/87 |
| 6,309,248 B1 | 10/2001 | King | | |
| 6,313,403 B1 * | 11/2001 | Livingston et al. | | 174/54 |
| 6,341,981 B1 | 1/2002 | Gorman | | |
| 6,361,333 B1 | 3/2002 | Cash, Jr. | | |
| D471,163 S | 3/2003 | Yu | | |
| 6,617,511 B2 | 9/2003 | Schultz et al. | | |
| 6,620,000 B1 | 9/2003 | Chen | | |
| 6,953,894 B2 * | 10/2005 | Ungerman et al. | | 174/58 |
| D523,397 S * | 6/2006 | Maglionico et al. | | D13/137.2 |
| 2003/0183408 A1 * | 10/2003 | Shotey et al. | | 174/53 |

OTHER PUBLICATIONS

Corbett Lighting Catalog © 2000. Item 5783 on p. 139.*
3 Pages from the Framburg 2001 Catalog. Item 8930 from the "Le Havre" collection on p. 170; Item 8780 from the "Chambord" collection on p. 172; and item 8325 on p. 176.*

* cited by examiner

Primary Examiner—Alan P. Douglas

Assistant Examiner—Rosemary K. Tarcza

(57) **CLAIM**

The ornamental design for a electrical switch assembly, as shown and described.

DESCRIPTION

FIG. 1 is a front elevational view of an electrical switch assembly showing my new design;

FIG. 2 is a rear elevational view thereof;

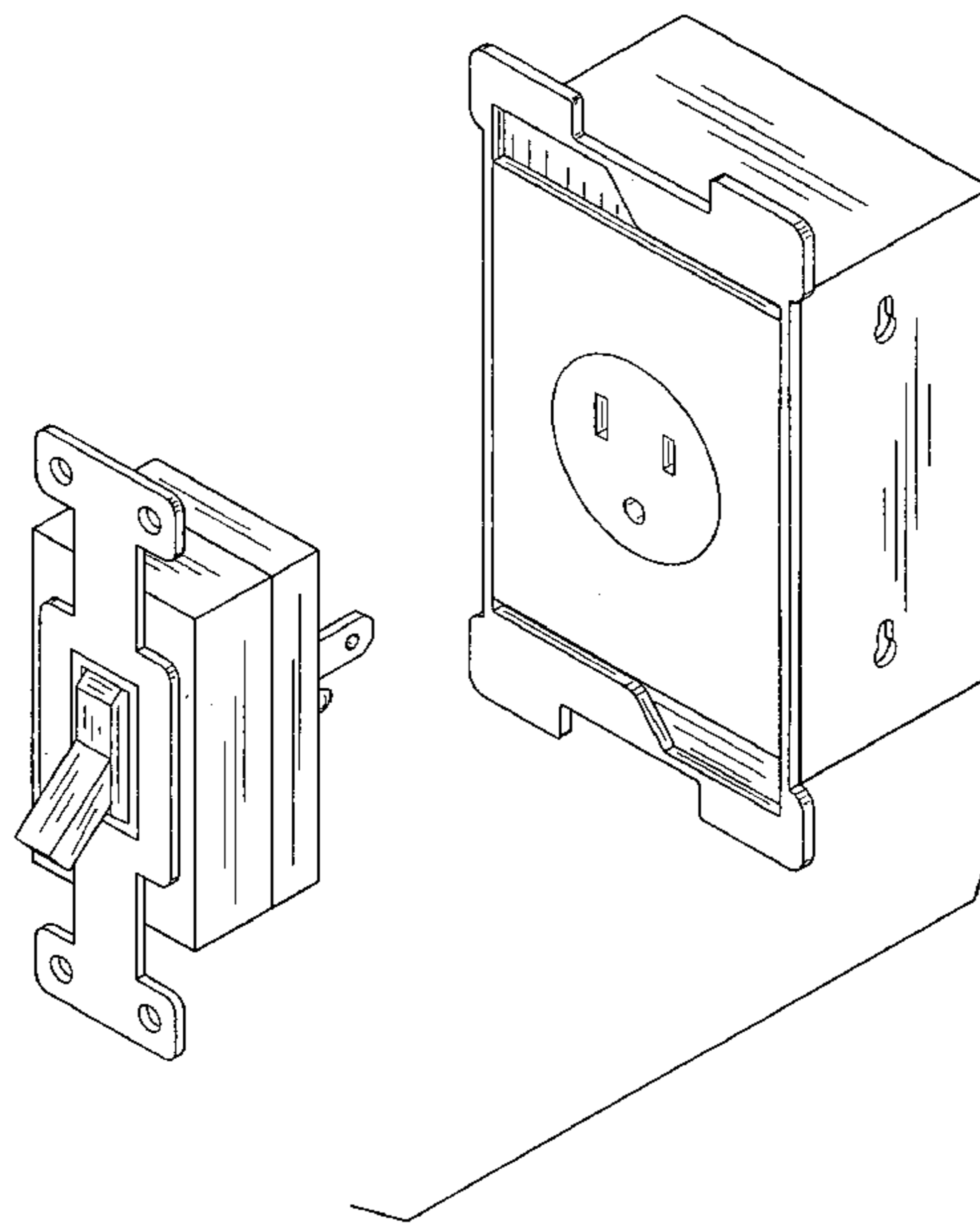
FIG. 3 is a side elevational view thereof;

FIG. 4 is a top plan view thereof;

FIG. 5 is a bottom plan view thereof; and,

FIG. 6 is a perspective view thereof.

1 Claim, 4 Drawing Sheets



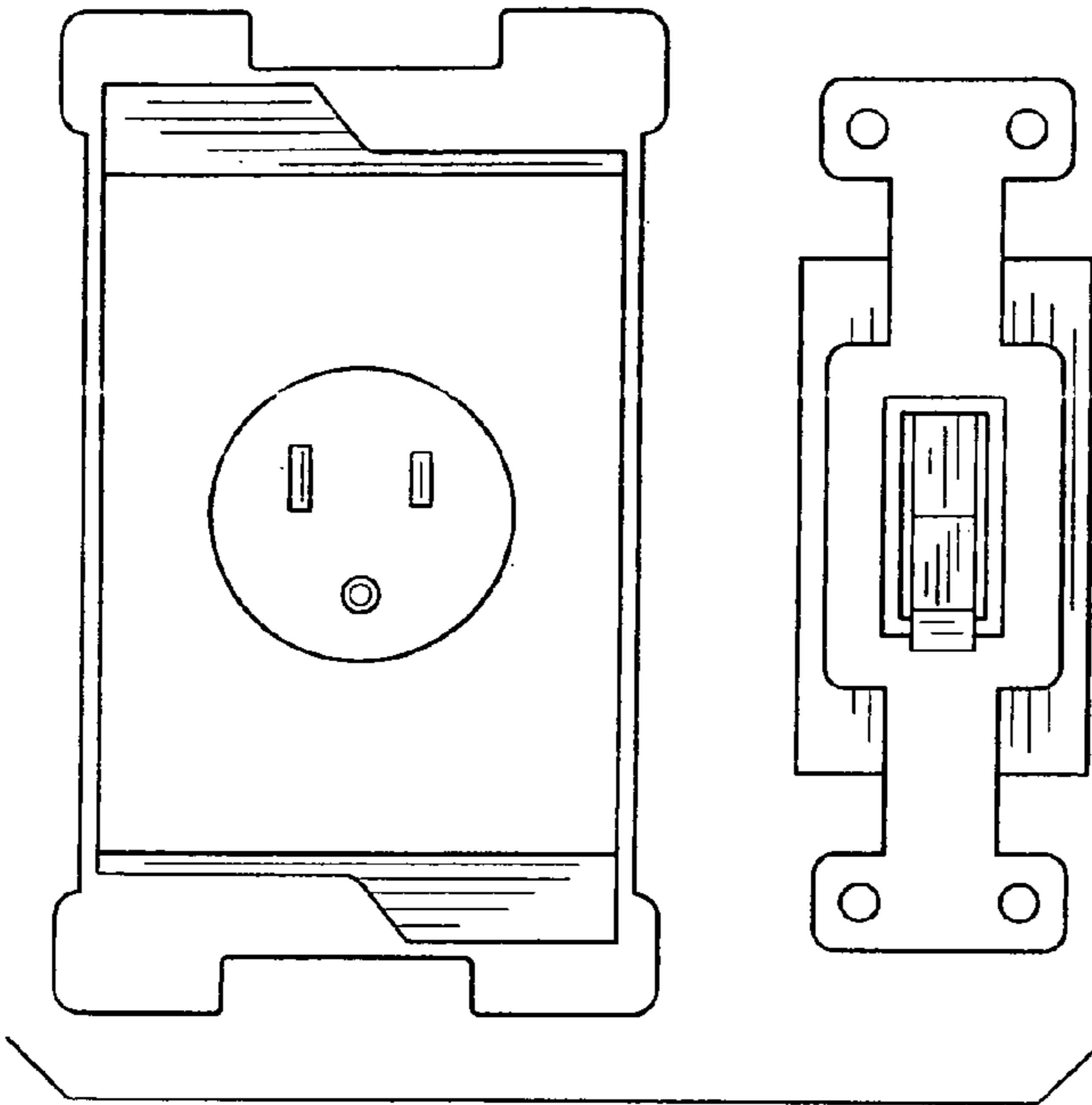


FIG. 1

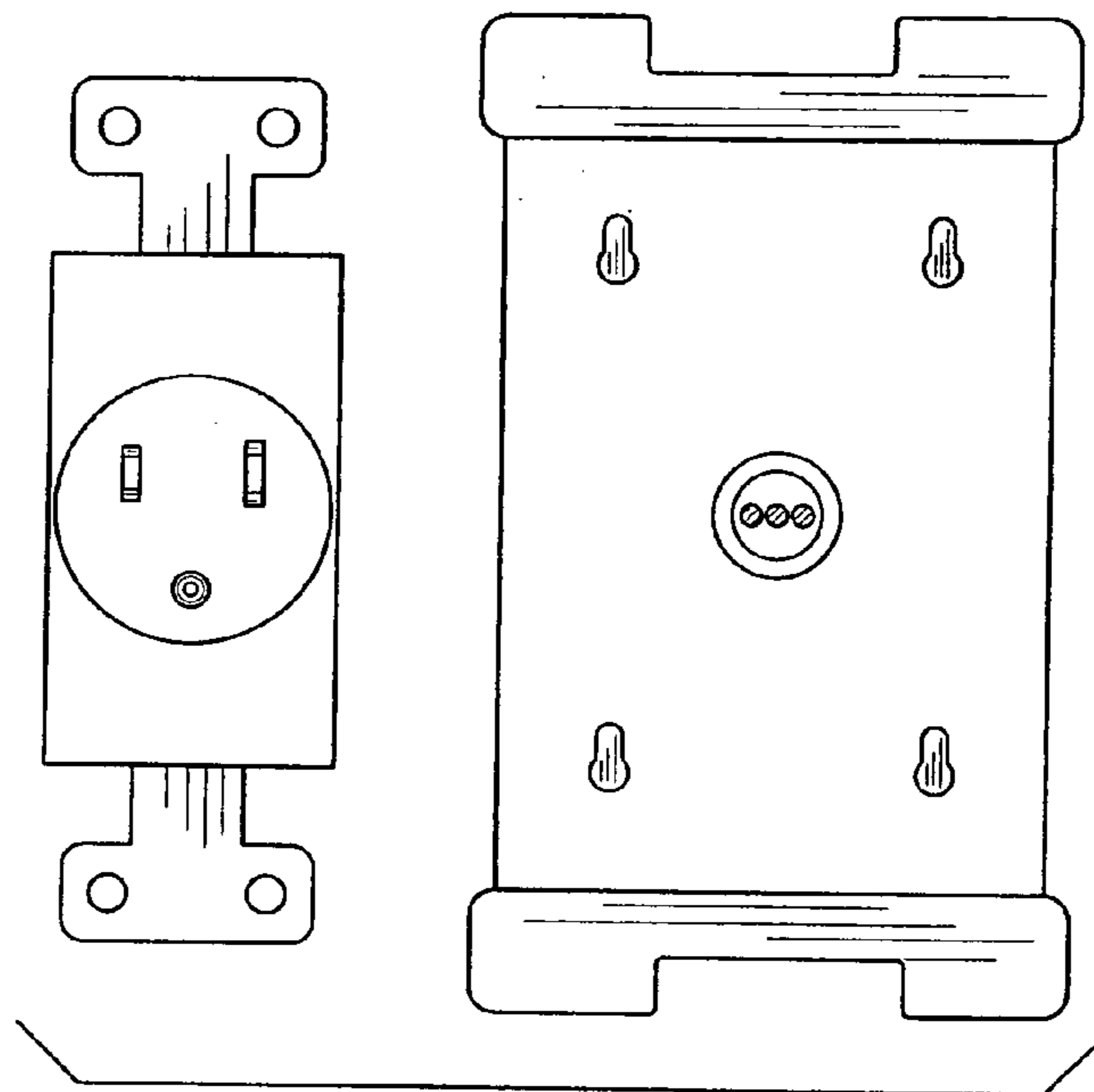


FIG. 2

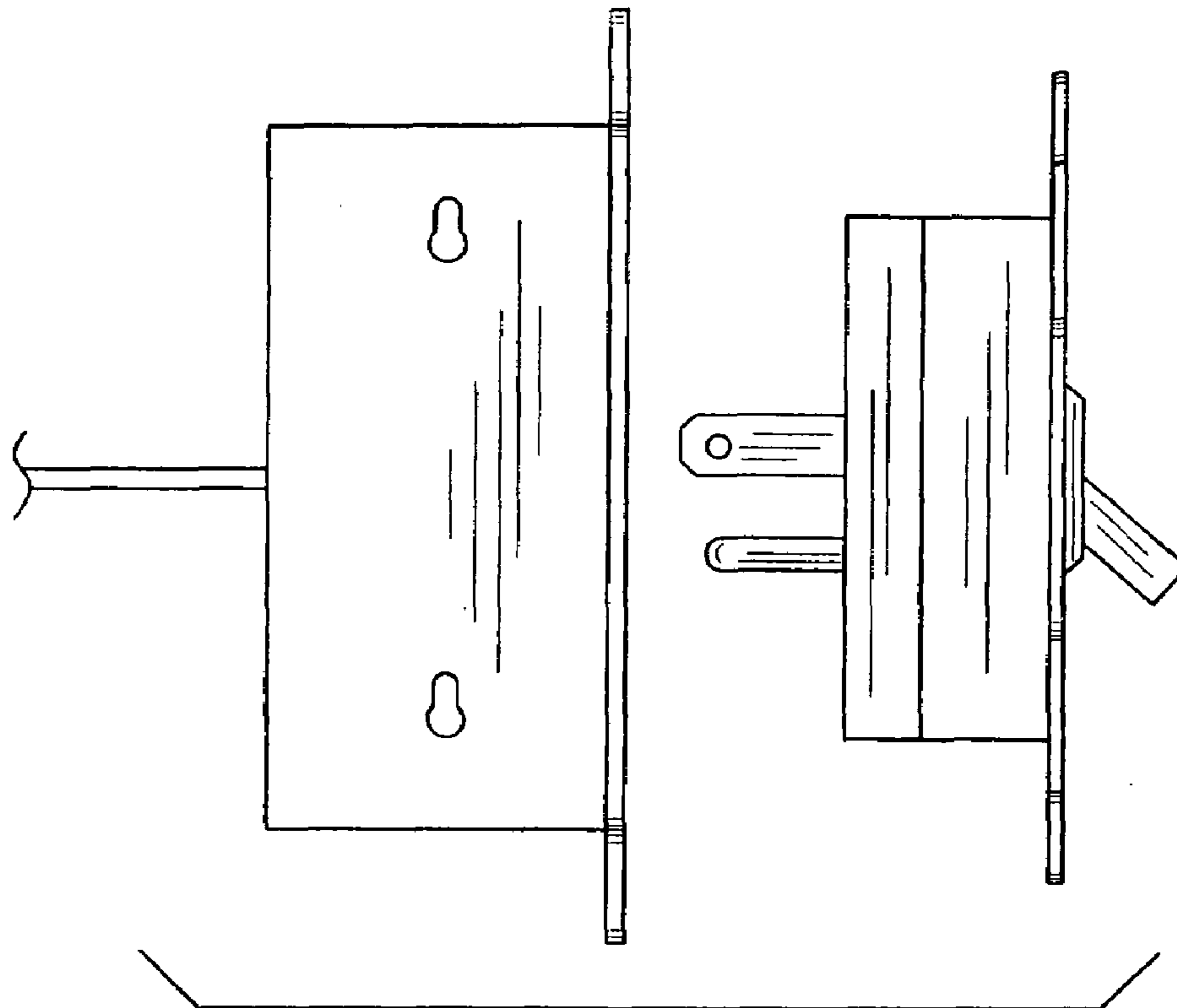


FIG. 3

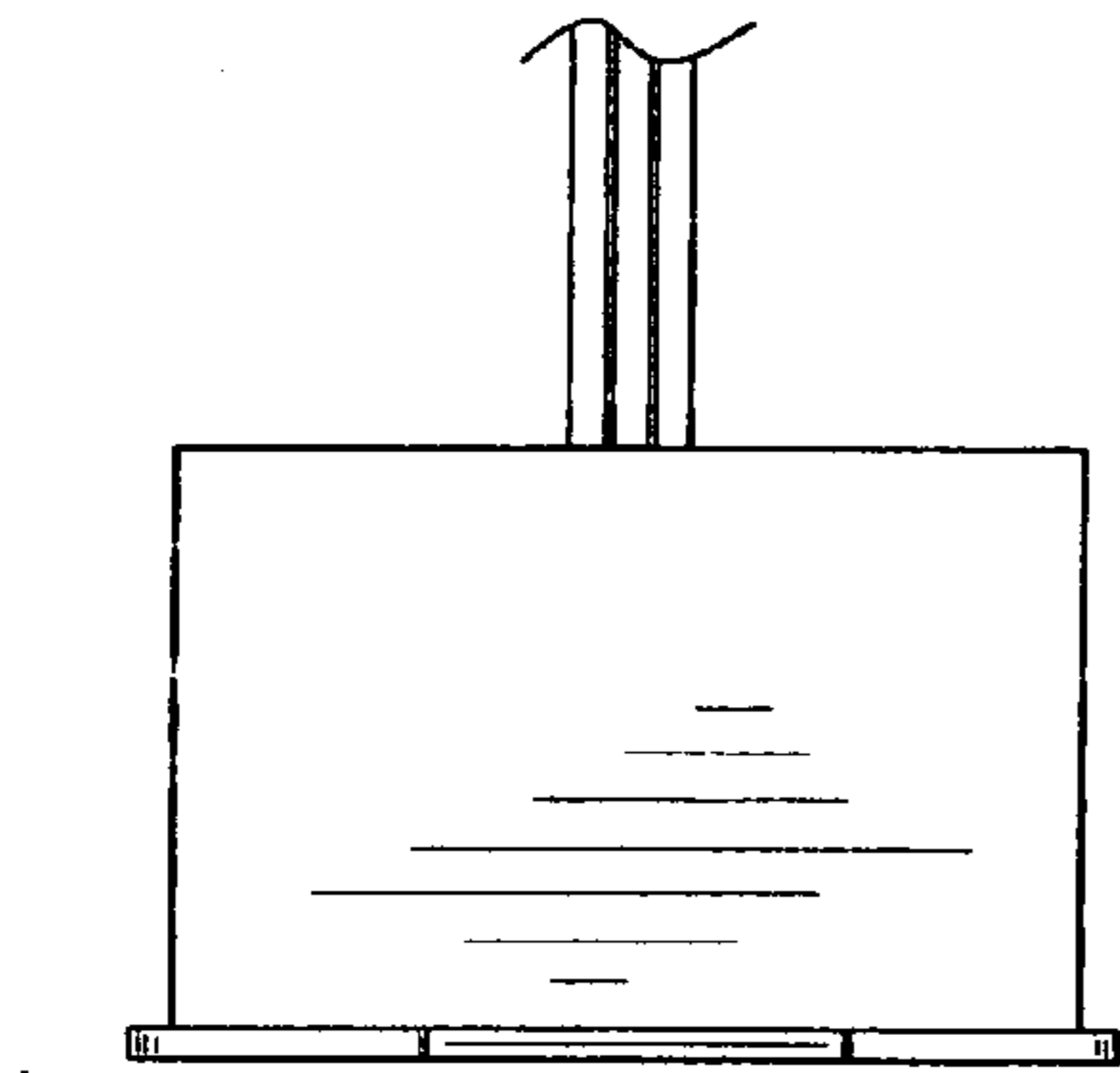


FIG. 4

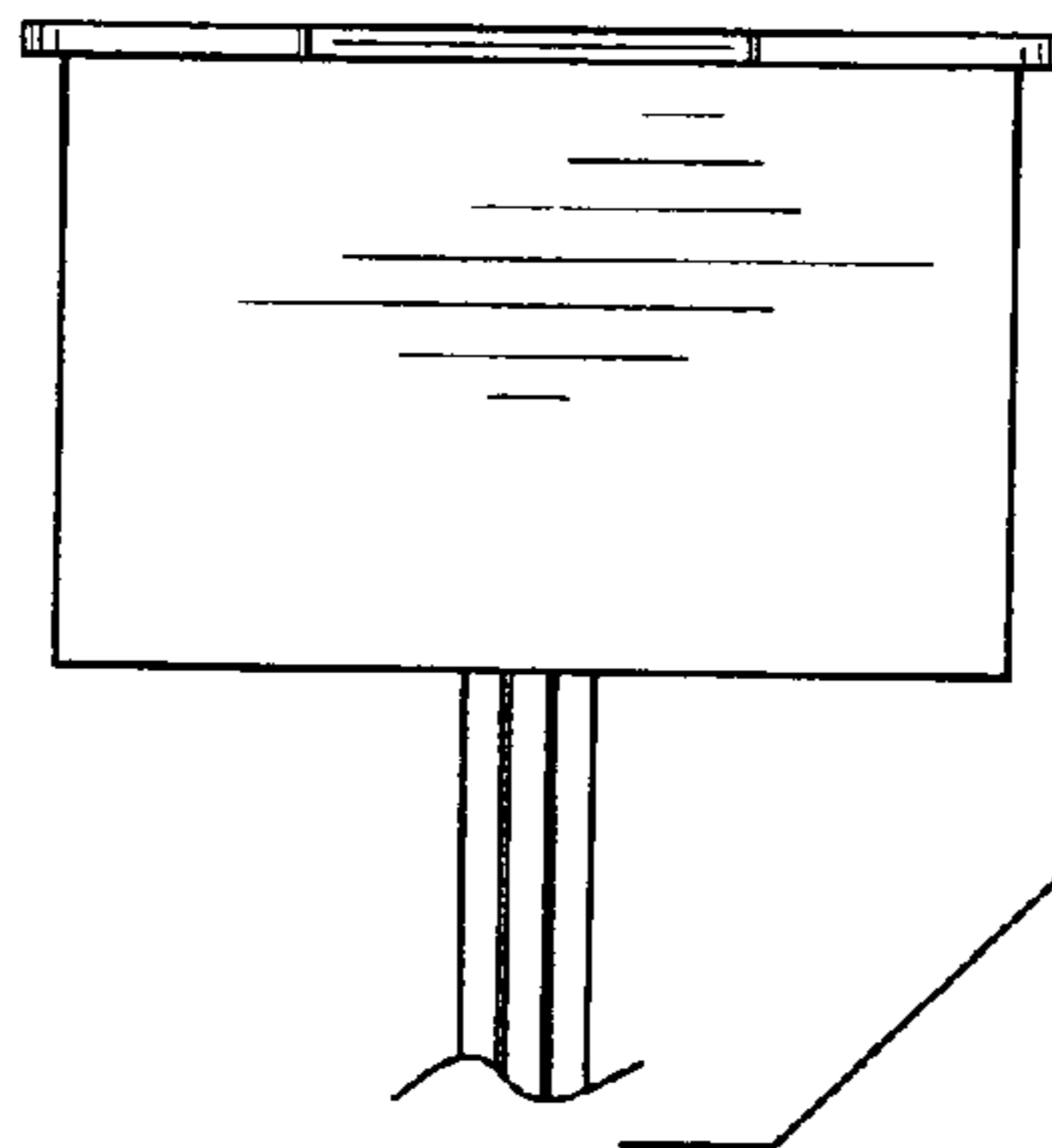
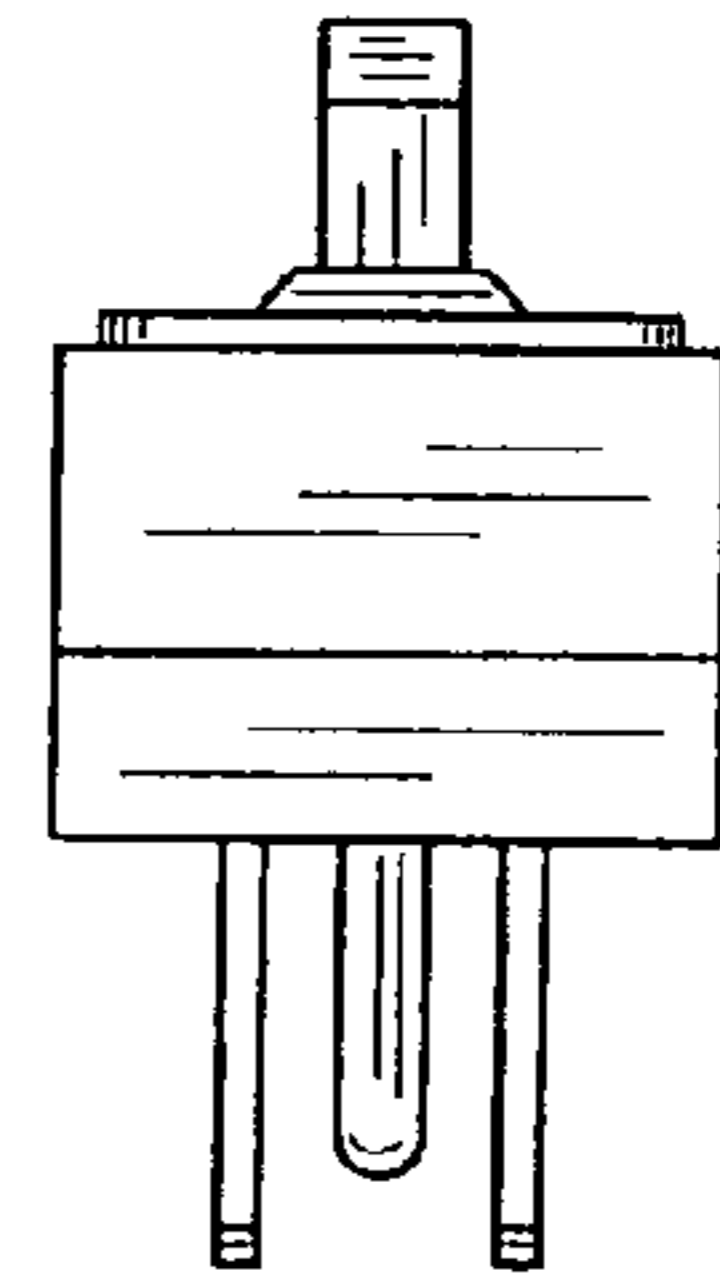
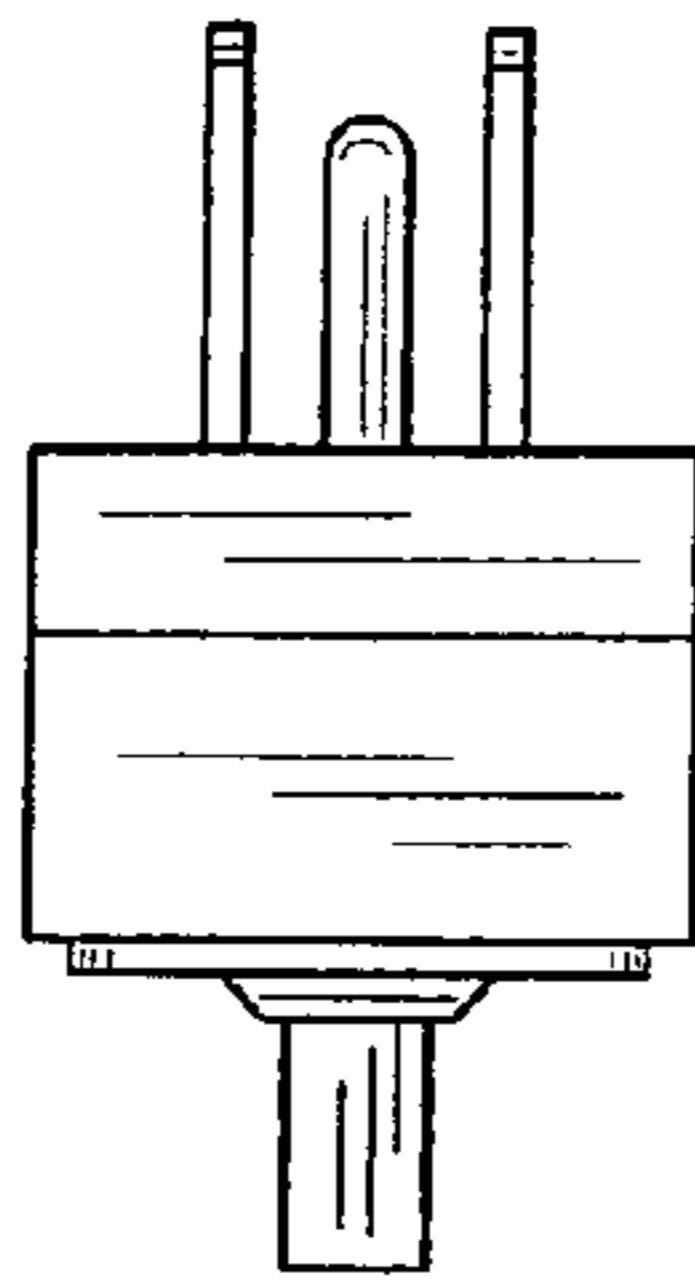


FIG. 5

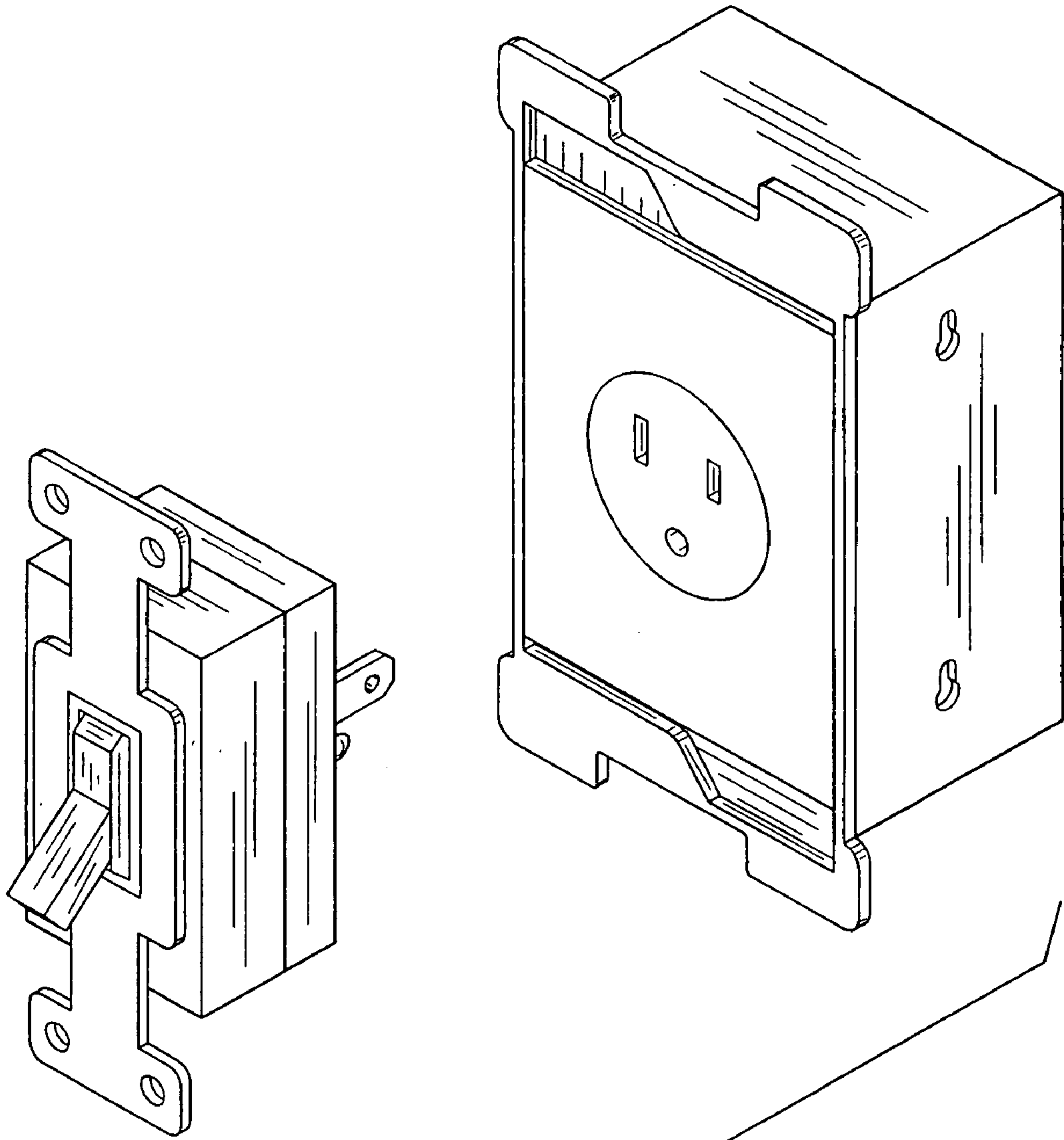


FIG. 6