



US00D553097S

(12) **United States Design Patent** (10) **Patent No.:** **US D553,097 S**
Lemke et al. (45) **Date of Patent:** **** Oct. 16, 2007**

(54) **POWER CONTROLLER DISPLAY WITH STACKED INDICATORS**

(75) Inventors: **John F. Lemke**, Houston, MN (US);
Robert A. Pape, Winona, MN (US);
Thomas R. Pfingsten, Winona, MN (US);
Craig R. Dennis, Winona, MN (US)

(73) Assignee: **Watlow Electric Manufacturing Company**, St. Louis, MO (US)

(**) Term: **14 Years**

(21) Appl. No.: **29/252,377**

(22) Filed: **Jan. 20, 2006**

(51) **LOC (8) Cl.** **13-03**

(52) **U.S. Cl.** **D13/162**

(58) **Field of Classification Search** D13/110,
D13/123, 154, 159-164, 177, 184; D14/137,
D14/441, 443; 361/690, 678, 647, 605; D16/237;
D12/192; D10/46, 49, 50, 96, 106, 125
See application file for complete search history.

(56) **References Cited**

U.S. PATENT DOCUMENTS

D269,503 S *	6/1983	Huffman et al.	D10/46
D287,486 S *	12/1986	Points et al.	D13/164
D296,776 S *	7/1988	Hansen et al.	D13/164
D300,306 S *	3/1989	Arnoux et al.	D10/78
D349,677 S *	8/1994	Avitan	D12/192
D350,531 S *	9/1994	Tsuji	D13/164
5,398,597 A *	3/1995	Jones et al.	99/330
D360,144 S *	7/1995	Omuro	D10/43
D364,107 S *	11/1995	Nesicolaci	D10/103
D366,460 S *	1/1996	Jorgenson	D13/177

D384,331 S *	9/1997	Hutchinson et al.	D13/162
D387,332 S *	12/1997	Harrison	D13/162
D392,943 S *	3/1998	Bouteiller	D13/159
D397,358 S *	8/1998	Supino	D19/21
D400,519 S *	11/1998	Marshall et al.	D14/486
D412,896 S *	8/1999	Attwood et al.	D14/443
D424,628 S *	5/2000	Luciano et al.	D18/26
D430,112 S *	8/2000	Krick et al.	D13/162
D443,595 S *	6/2001	Pawley	D13/167
D456,293 S *	4/2002	Tsumura et al.	D10/108
D462,122 S *	8/2002	Hutcheson et al.	D24/169
D481,015 S *	10/2003	Garcia-Ortiz	D13/164
D481,363 S *	10/2003	Garcia-Ortiz	D13/164
D498,426 S *	11/2004	Svennberg	D10/50
D504,074 S *	4/2005	Tsujimura	D10/46

* cited by examiner

Primary Examiner—Selina Sikder

Assistant Examiner—Thomas Johannes

(74) *Attorney, Agent, or Firm*—Brinks Hofer Gilson & Lione

(57) **CLAIM**

The ornamental design for a power controller display with stacked indicators, as shown and described.

DESCRIPTION

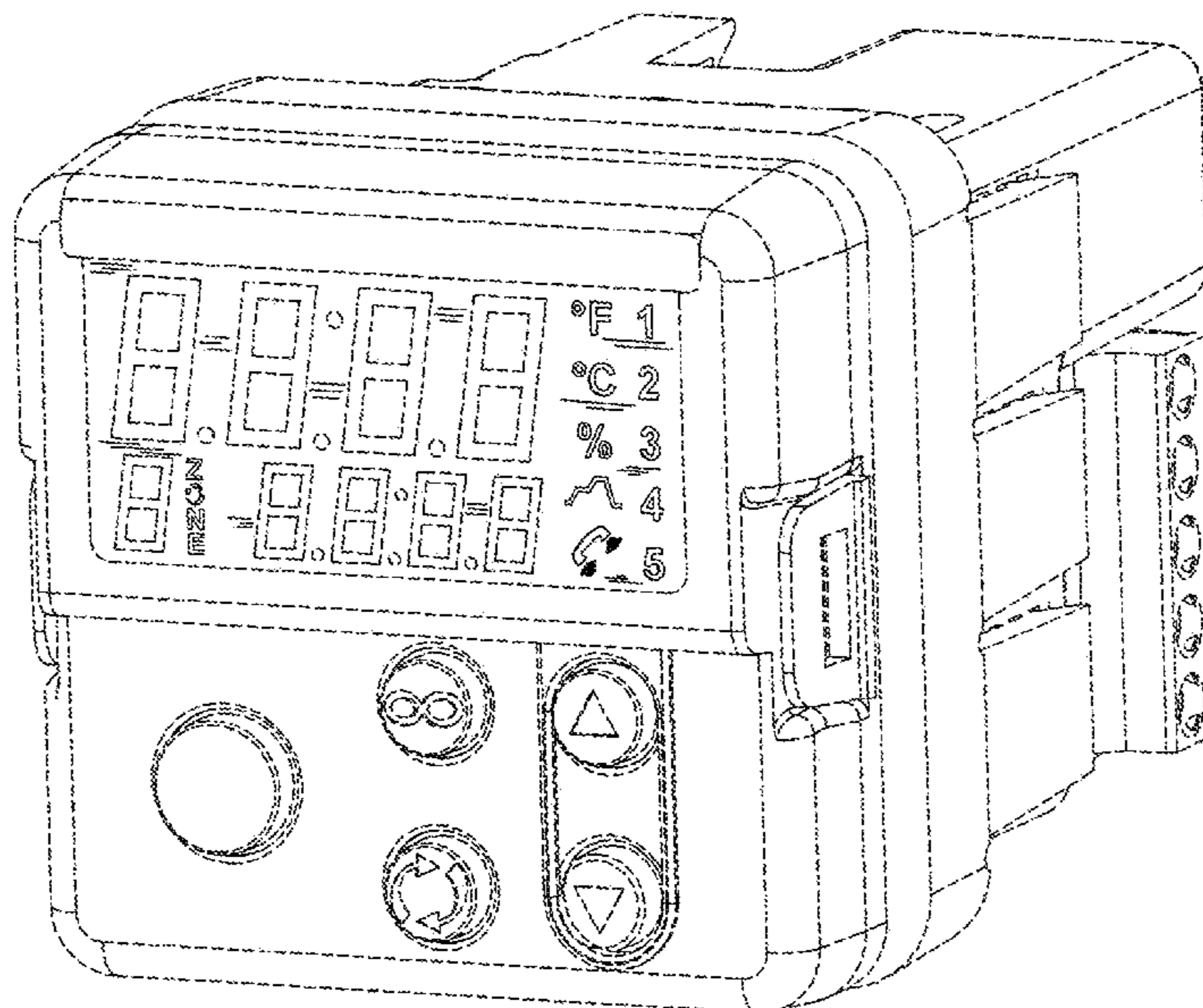
FIG. 1 is a perspective view of the power controller display with stacked indicators showing our new design;

FIG. 2 is a front view thereof; and,

FIG. 3 is an enlarged front view thereof.

The broken lines are included for the purpose of illustrating environmental structure and form no part of the claimed design.

1 Claim, 3 Drawing Sheets



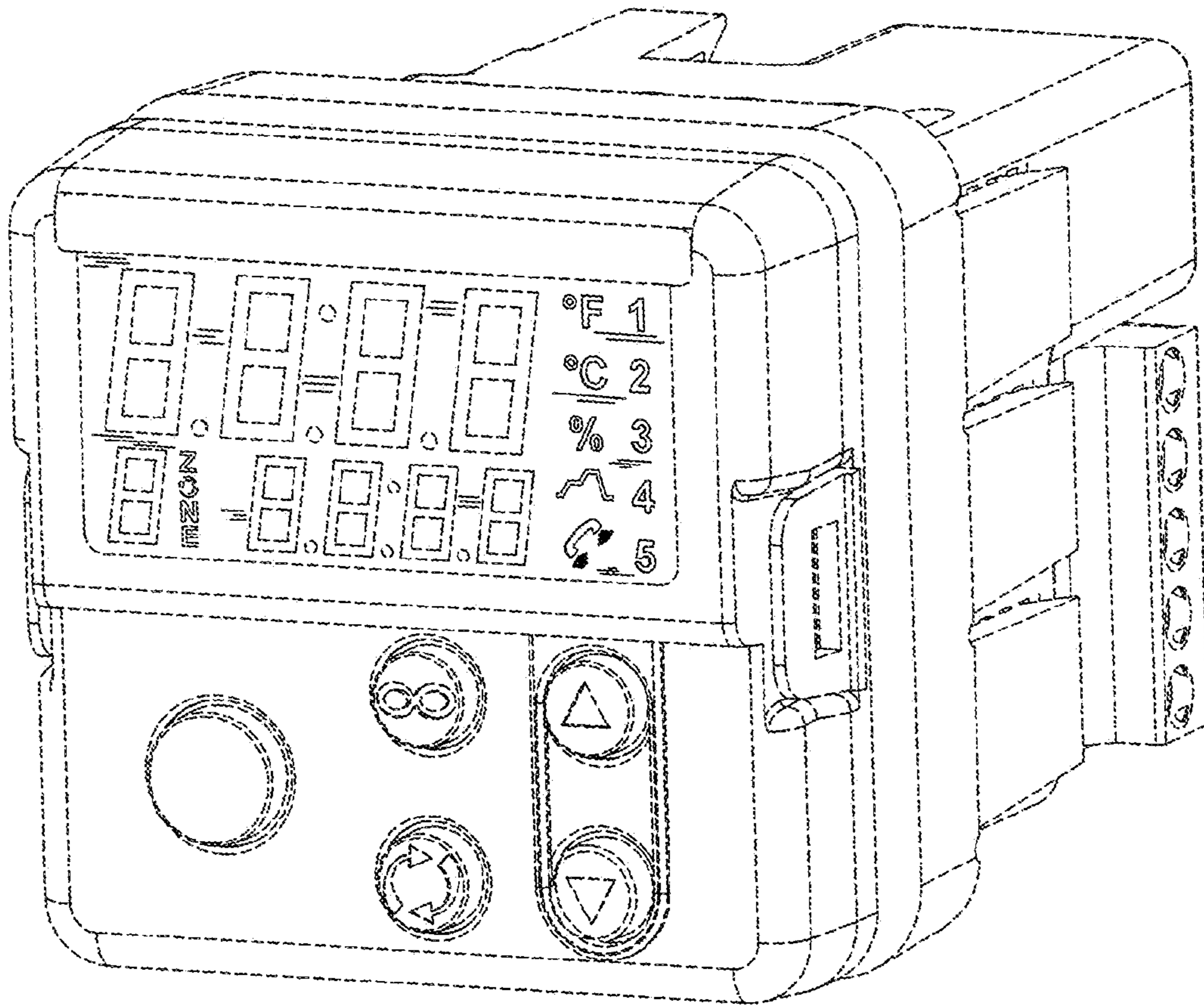


FIG. 1

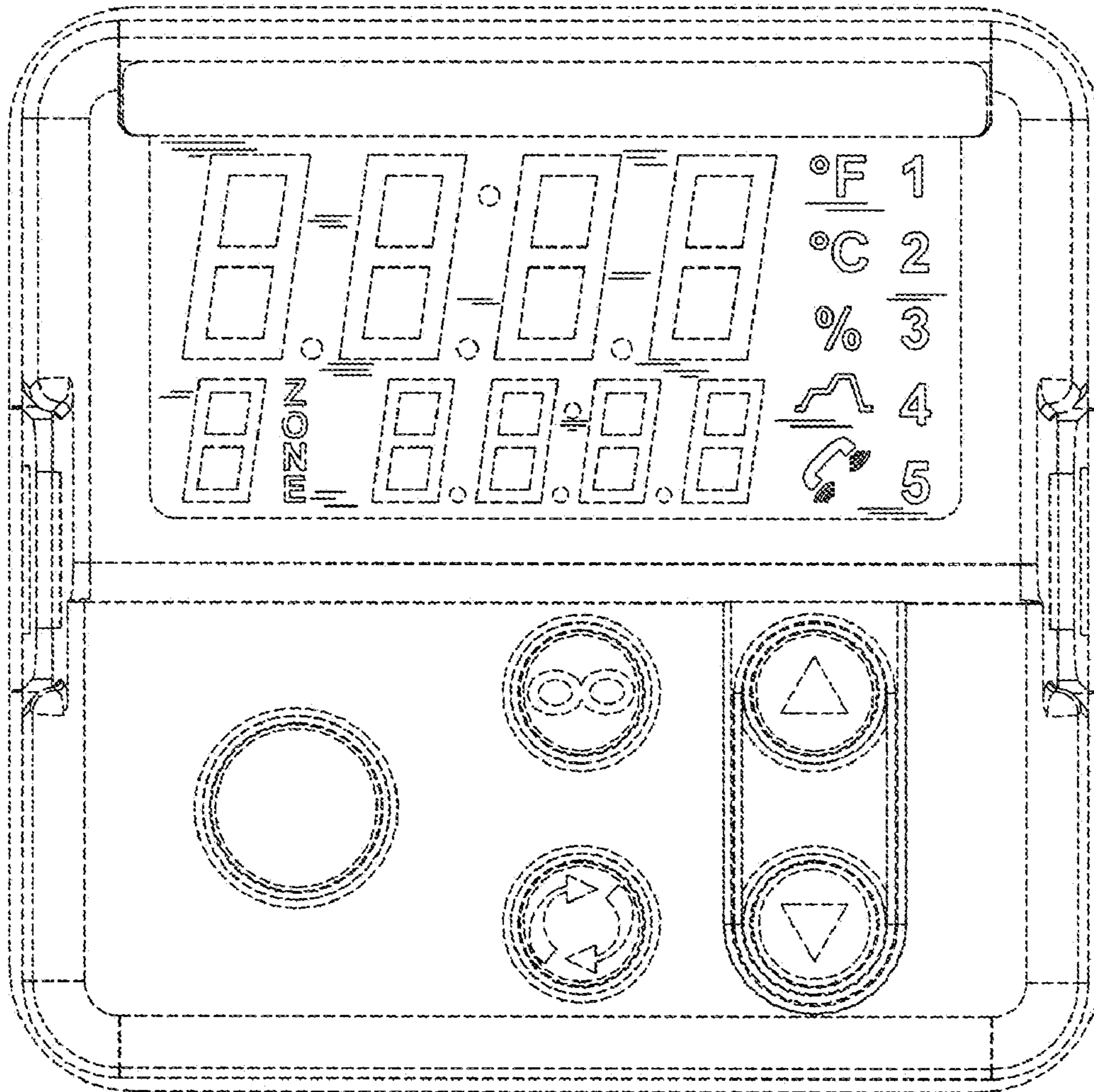


FIG. 2

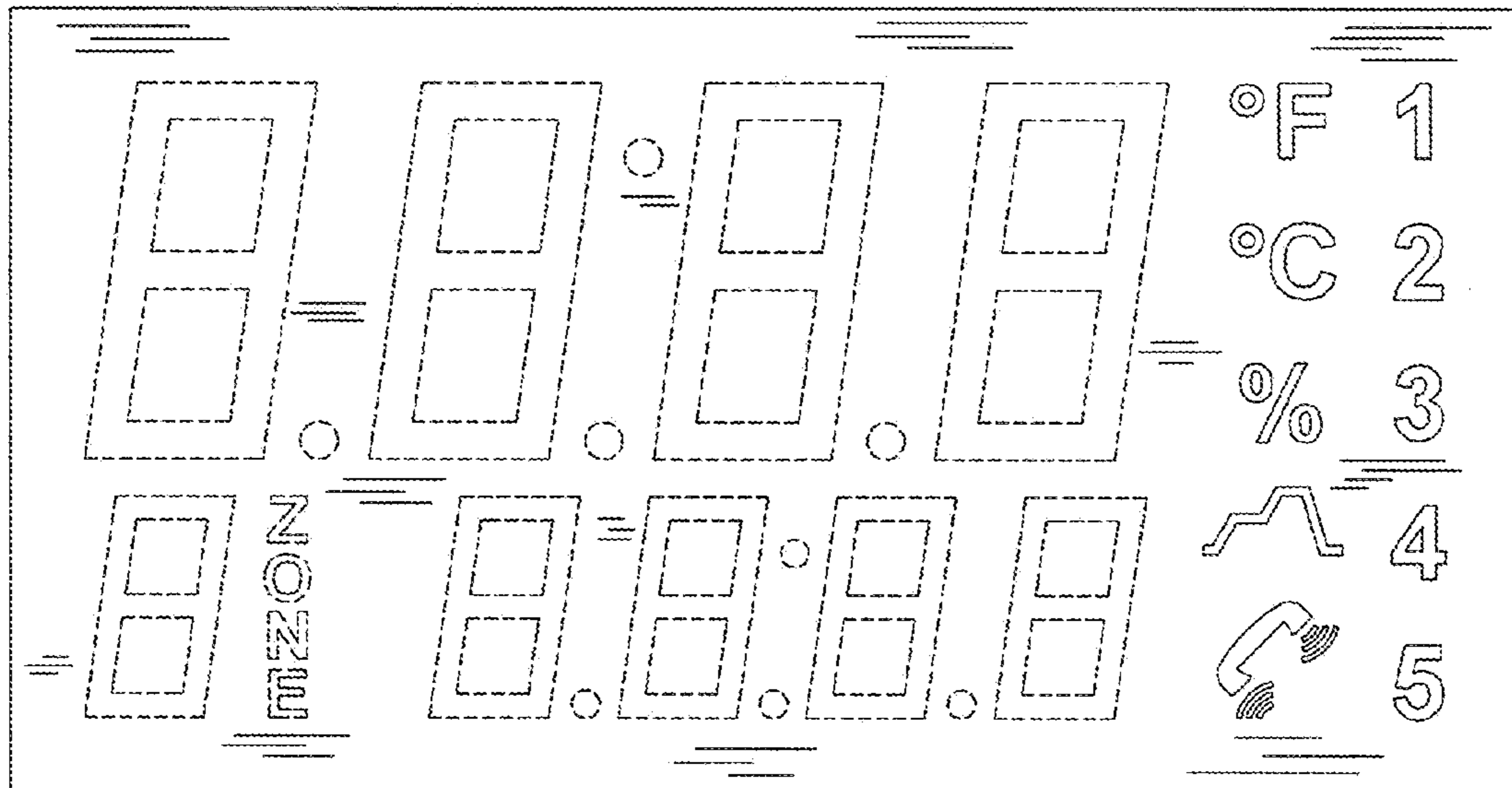


FIG. 3