



US00D553095S

(12) **United States Design Patent**
Lemke et al.

(10) **Patent No.:** **US D553,095 S**

(45) **Date of Patent:** **** Oct. 16, 2007**

(54) **POWER CONTROLLER USER INTERFACE DISPLAY**

(75) Inventors: **John F. Lemke**, Houston, MN (US);
Robert A. Pape, Winona, MN (US);
Thomas R. Pfingsten, Winona, MN (US);
Craig R. Dennis, Winona, MN (US)

(73) Assignee: **Watlow Electric Manufacturing Company**, St. Louis, MO (US)

(**) Term: **14 Years**

(21) Appl. No.: **29/252,372**

(22) Filed: **Jan. 20, 2006**

(51) **LOC (8) Cl.** **13-03**

(52) **U.S. Cl.** **D13/162**

(58) **Field of Classification Search** D13/110,
D13/123, 154, 159-164, 177, 184; D14/137,
D14/441, 443; 361/690, 678, 647, 605; D16/237;
D12/192; D10/46, 49, 50, 96, 106, 125
See application file for complete search history.

(56) **References Cited**

U.S. PATENT DOCUMENTS

- 4,841,280 A * 6/1989 Hermann et al. 345/170
- D307,873 S * 5/1990 Hart et al. D10/94
- D346,759 S * 5/1994 Job et al. D10/125
- D356,045 S * 3/1995 Payne D10/57
- D357,198 S * 4/1995 Gatley D10/94

- D384,331 S * 9/1997 Hutchinson et al. D13/162
- D386,748 S * 11/1997 Arnold et al. D13/177
- D412,157 S * 7/1999 Stevenson D14/443
- D443,595 S * 6/2001 Pawley D13/167
- D447,435 S * 9/2001 Thomas D10/124
- D482,335 S * 11/2003 Chang D13/162
- D504,074 S * 4/2005 Tsujimura D10/46
- D504,334 S * 4/2005 Tsujimura D10/46
- D523,555 S * 6/2006 Loerwald et al. D24/146
- 7,073,714 B2 * 7/2006 Namaky et al. 235/462.15

* cited by examiner

Primary Examiner—Selina Sikder

Assistant Examiner—Thomas Johannes

(74) *Attorney, Agent, or Firm*—Brinks Hofer Gilson & Lione

(57) **CLAIM**

The ornamental design for a power controller user interface display, as shown and described.

DESCRIPTION

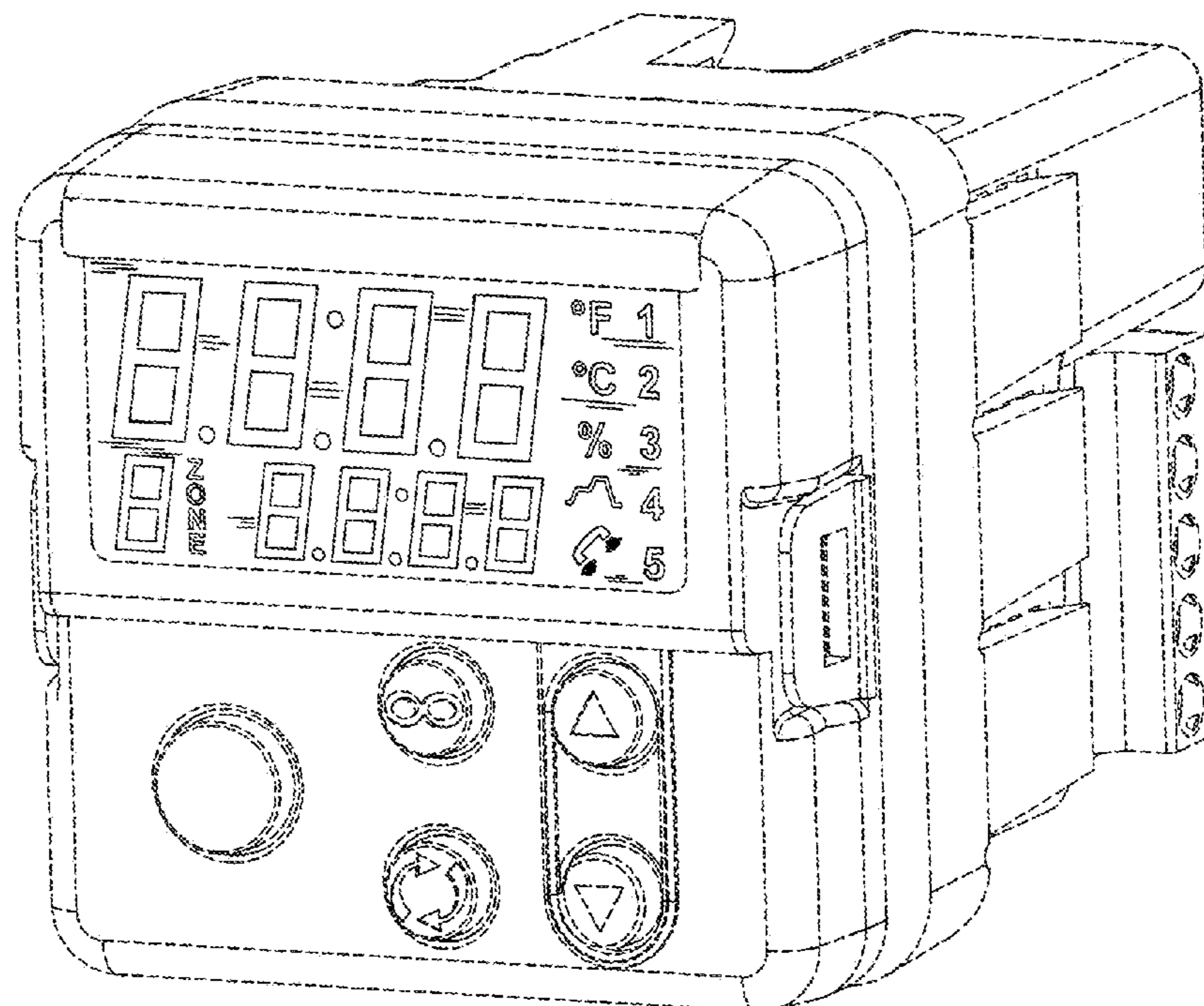
FIG. 1 is a perspective view of the power controller user interface display showing our new design;

FIG. 2 is a front view thereof; and,

FIG. 3 is an enlarged front view thereof.

The broken lines are included for the purpose of illustrating environmental structure and form no part of the claimed design.

1 Claim, 3 Drawing Sheets



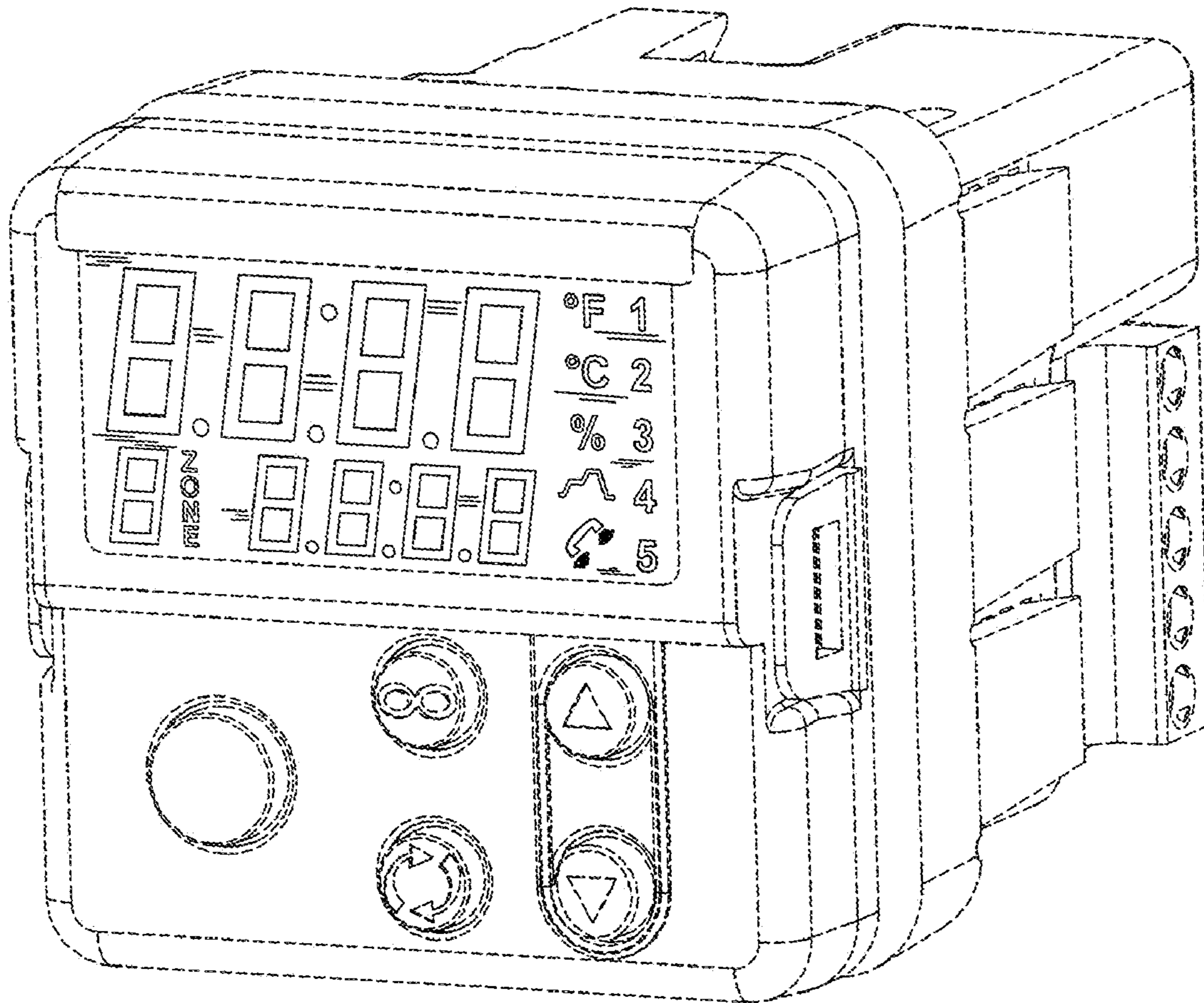


FIG. 1

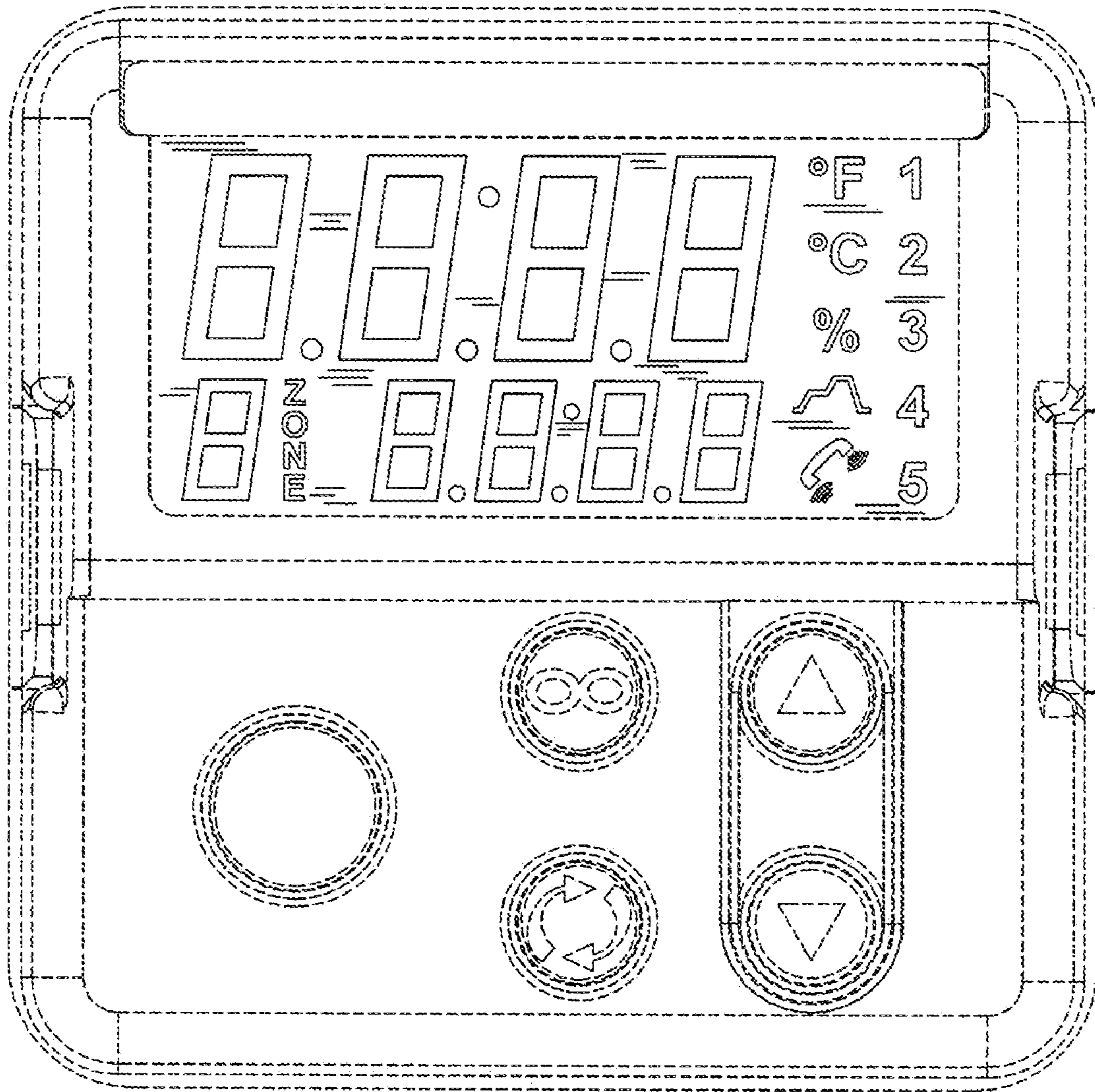


FIG. 2

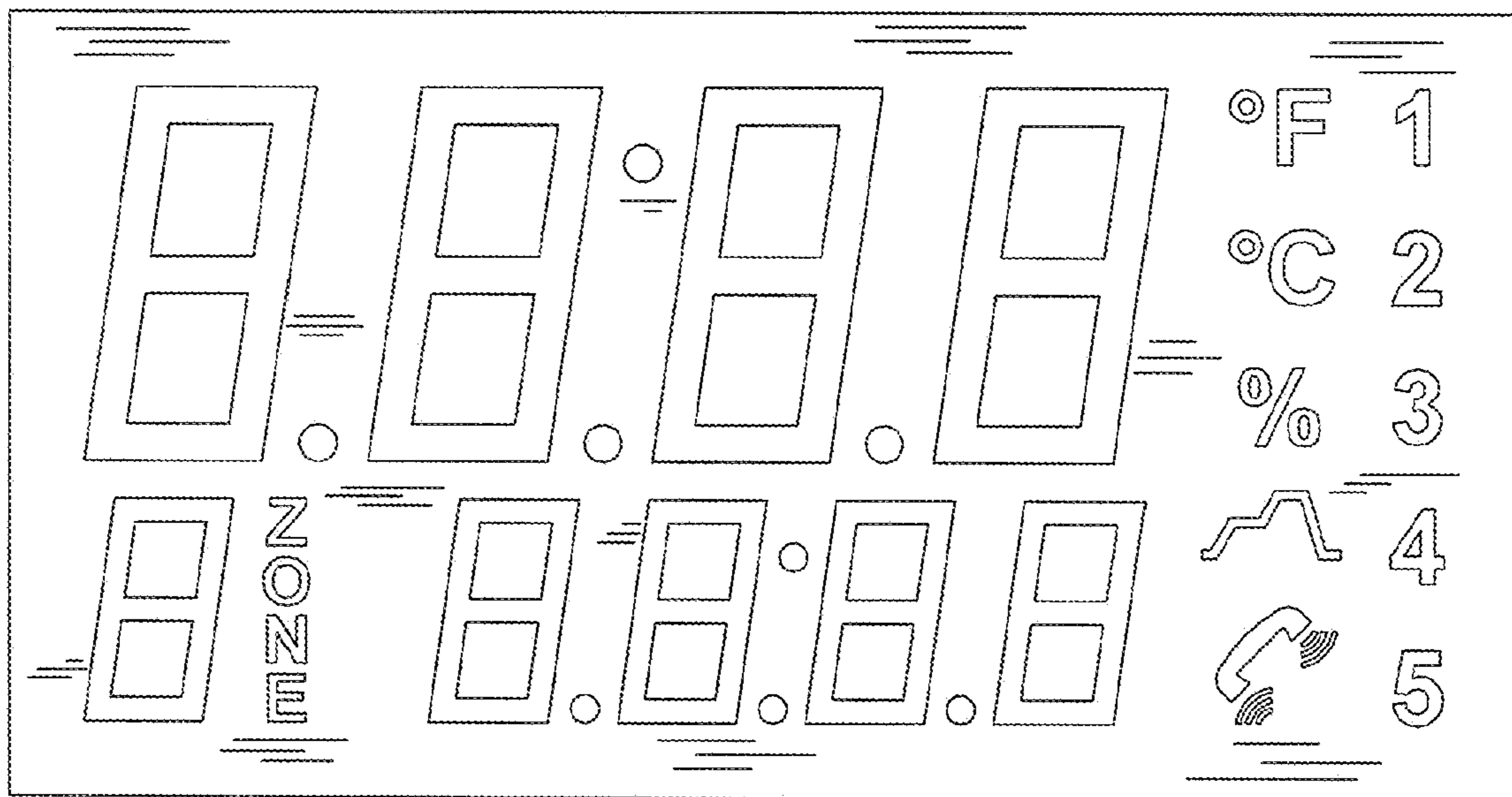


FIG. 3