



US00D553092S

(12) **United States Design Patent**
Arai et al.

(10) **Patent No.:** **US D553,092 S**

(45) **Date of Patent:** **** Oct. 16, 2007**

(54) **PLUG FOR ELECTRICAL CONNECTION**

(75) Inventors: **Junichi Arai**, Gunma (JP); **Takashi Shimizu**, Gunma (JP)

(73) Assignee: **Hosiden Corporation**, Osaka (JP)

(**) Term: **14 Years**

(21) Appl. No.: **29/277,322**

(22) Filed: **Feb. 21, 2007**

(30) **Foreign Application Priority Data**

Sep. 1, 2006 (JP) 2006-023351

(51) **LOC (8) Cl.** **13-03**

(52) **U.S. Cl.** **D13/147**

(58) **Field of Classification Search** D13/133,
D13/146-147, 153-154, 184, 199; 439/350,
439/352, 447, 582-583, 694, 607-610, 660,
439/677, 680-682

See application file for complete search history.

(56) **References Cited**

U.S. PATENT DOCUMENTS

4,838,808 A * 6/1989 Fujiura 439/357
D349,099 S * 7/1994 Robertson et al. D13/147
D415,111 S * 10/1999 Lee D13/154

D455,401 S * 4/2002 Goto D13/147
D503,152 S * 3/2005 Suckle et al. D13/154
D513,735 S * 1/2006 Nishio et al. D13/147
D514,524 S * 2/2006 Suckle D13/156
D515,511 S * 2/2006 Nishio et al. D13/147

* cited by examiner

Primary Examiner—Daniel Bui

(74) *Attorney, Agent, or Firm*—Akin Gump Strauss & Feld LLP

(57) **CLAIM**

The ornamental design for a plug for electrical connection, as shown and described.

DESCRIPTION

FIG. 1 is a top, front and bottom perspective view of a plug for electrical connection, showing our new design;

FIG. 2 is a front elevation view thereof;

FIG. 3 is a rear elevation view thereof;

FIG. 4 is a left side elevation view thereof;

FIG. 5 is a right side elevation view thereof

FIG. 6 is a top plan view thereof; and,

FIG. 7 is a bottom plan view thereof.

1 Claim, 4 Drawing Sheets

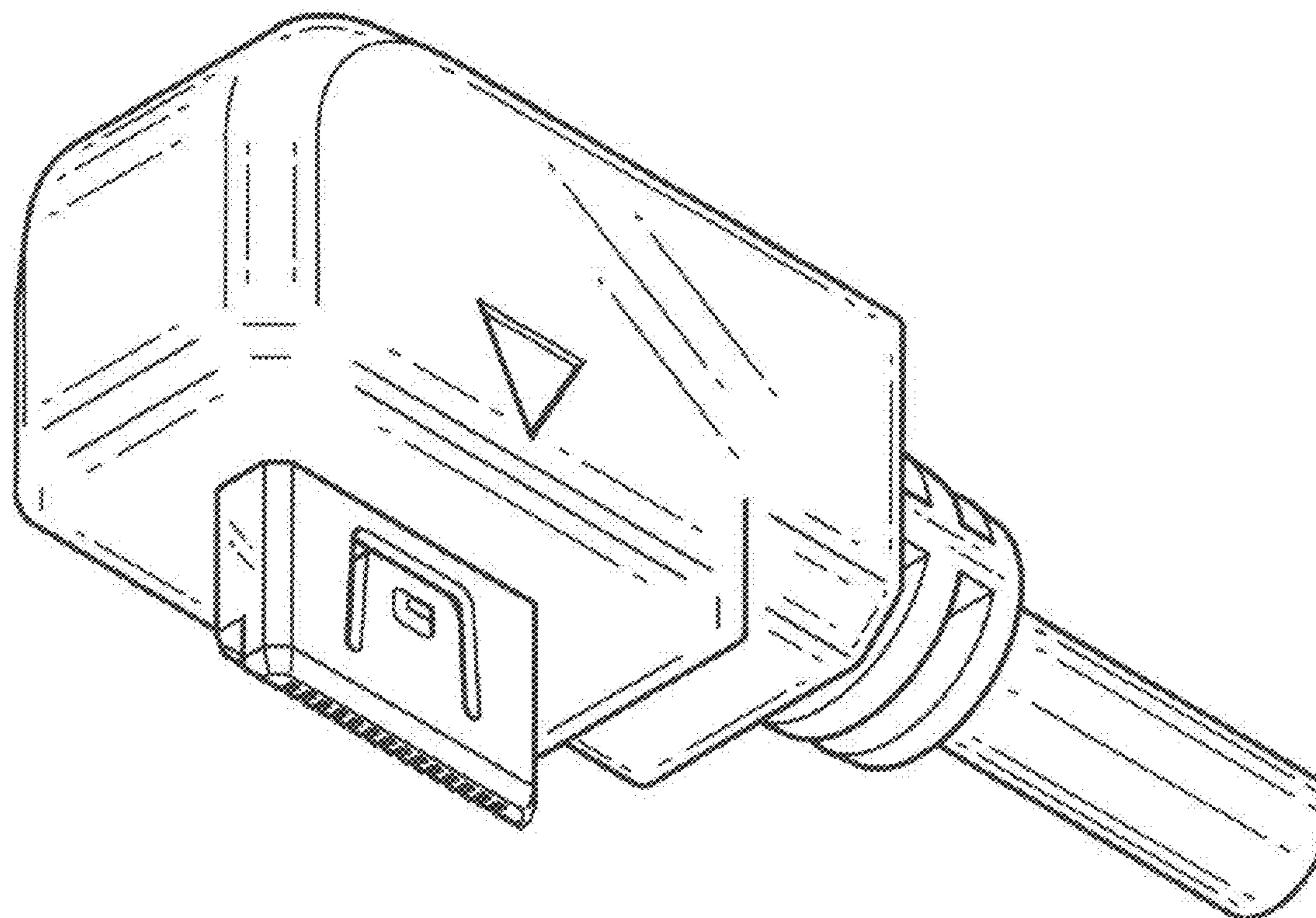


Fig. 1

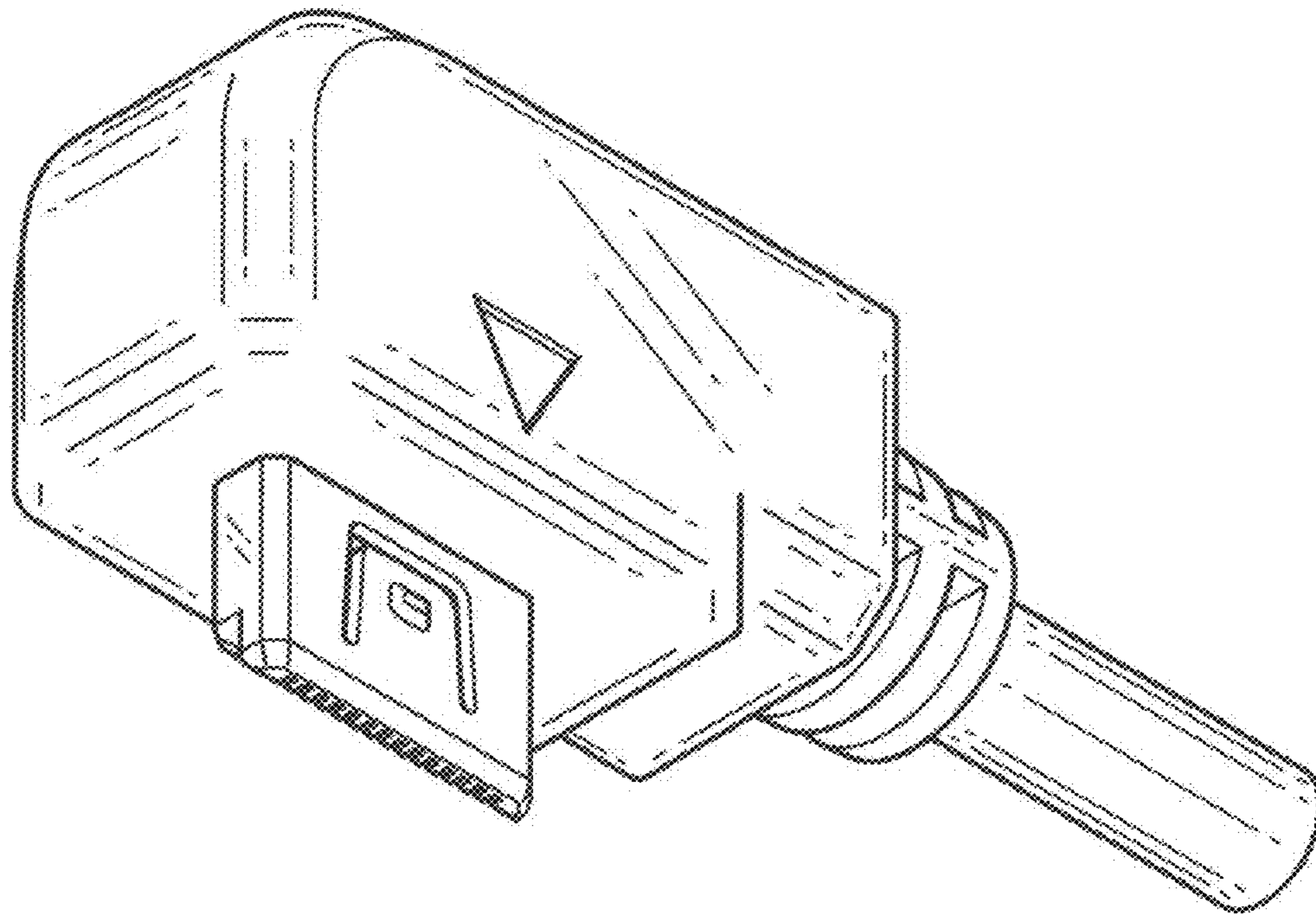


Fig. 2

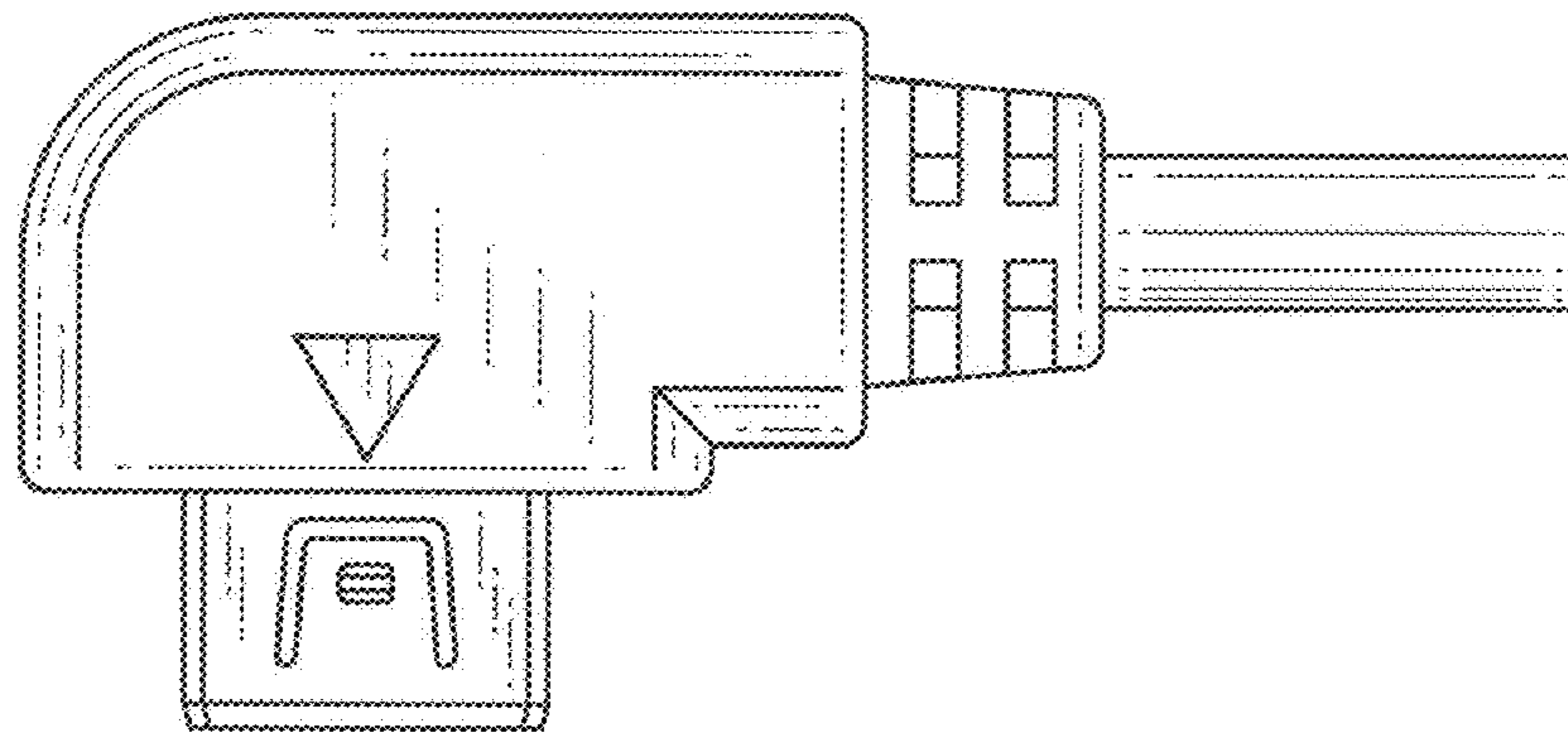


Fig. 3

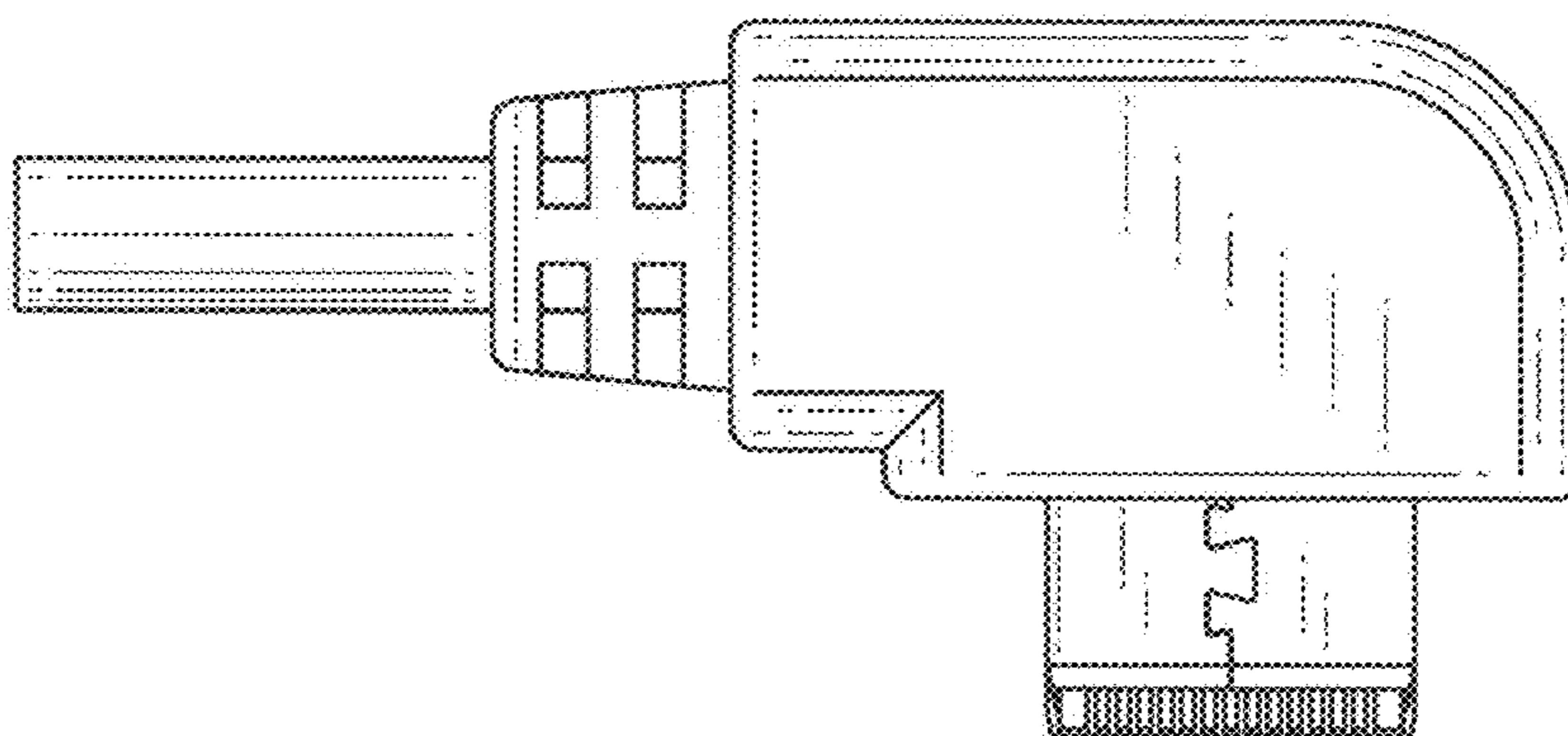


Fig. 4

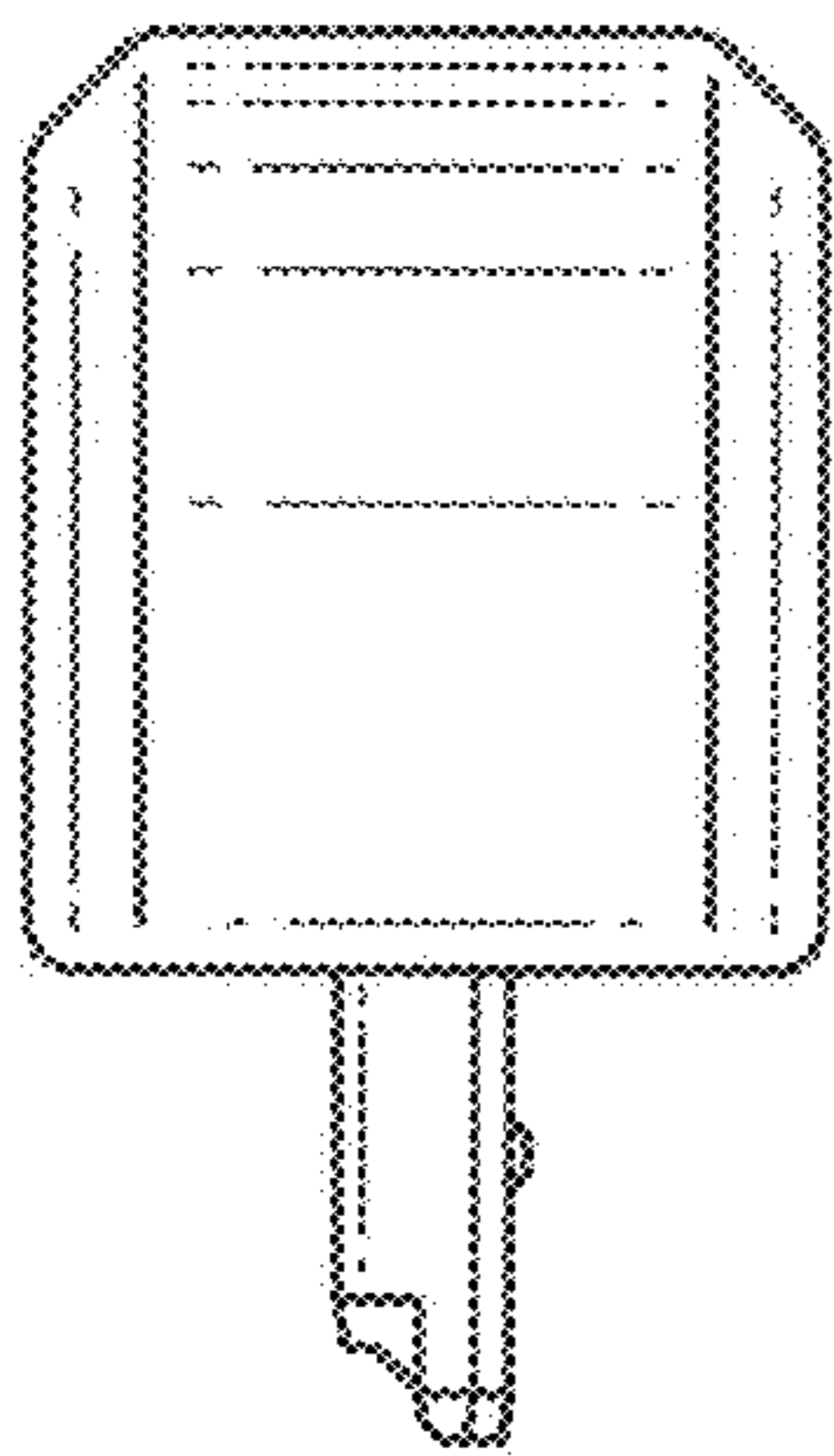


Fig. 5

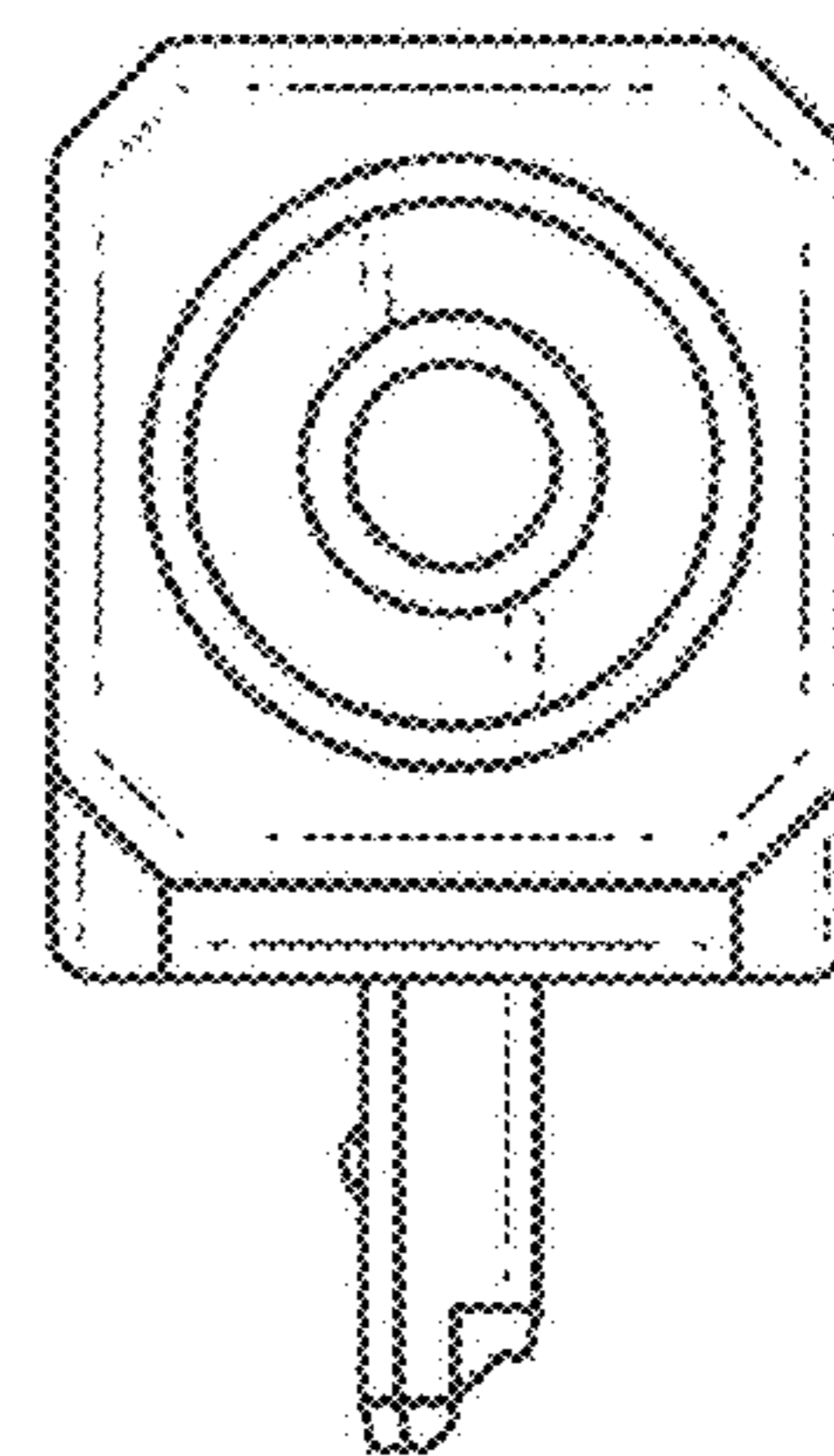


Fig. 6

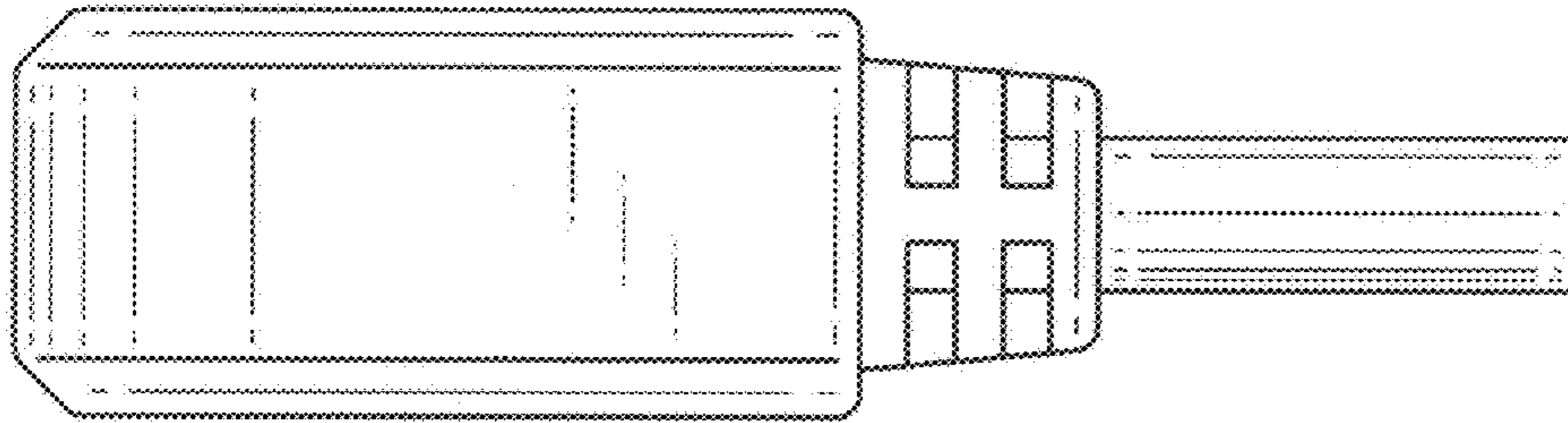


Fig. 7

