



US00D553091S

(12) **United States Design Patent**  
**Lin et al.**

(10) **Patent No.:** **US D553,091 S**

(45) **Date of Patent:** **\*\* Oct. 16, 2007**

(54) **CONNECTOR**

(75) Inventors: **Kuo Chin Lin**, Tu-Cheng (TW); **Hsin Min Chao**, Tu-Cheng (TW); **Feng Zhu**, Tu-Cheng (TW); **Hua Lian Li**, Tu-Cheng (TW)

(73) Assignee: **Cheng Uei Precision Industry Co., Ltd.**, Taipei Hsien (TW)

(\*\*) Term: **14 Years**

(21) Appl. No.: **29/270,212**

(22) Filed: **Dec. 19, 2006**

(51) **LOC (8) Cl.** ..... **13-03**

(52) **U.S. Cl.** ..... **D13/147**

(58) **Field of Classification Search** ..... D13/133,  
D13/146-147, 153, 154, 184, 199; 439/79,  
439/607-610, 660, 680-682, 686  
See application file for complete search history.

(56) **References Cited**

**U.S. PATENT DOCUMENTS**

- D318,266 S \* 7/1991 Matsuzaki ..... D13/147
- D407,690 S \* 4/1999 Lai et al. .... D13/147
- D408,014 S \* 4/1999 Lai et al. .... D13/147

- D412,700 S \* 8/1999 Gardner et al. .... D13/147
- D422,561 S \* 4/2000 Wu et al. .... D13/147
- D434,383 S \* 11/2000 Hu et al. .... D13/147
- D471,872 S \* 3/2003 Kawase ..... D13/147
- D517,994 S \* 3/2006 Zhang et al. .... D13/147

\* cited by examiner

*Primary Examiner*—Daniel Bui

(74) *Attorney, Agent, or Firm*—Rosenberg, Klein & Lee

(57) **CLAIM**

The ornamental design for a connector, as shown and described.

**DESCRIPTION**

FIG. 1 is a perspective view of a connector showing our new design;

FIG. 2 is a front elevational view thereof;

FIG. 3 is a rear elevational view thereof;

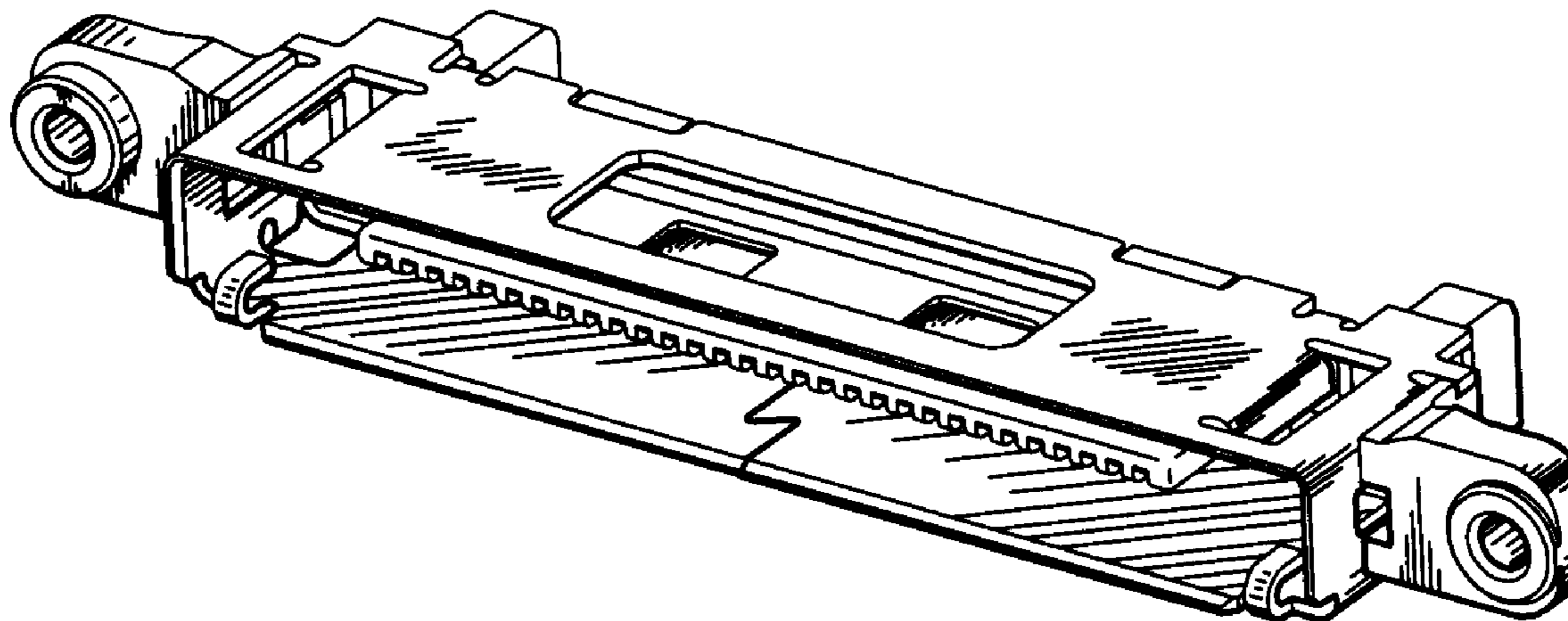
FIG. 4 is a left side elevational view thereof;

FIG. 5 is a right side elevational view thereof;

FIG. 6 is a top plan view thereof; and,

FIG. 7 is a bottom plan view thereof.

**1 Claim, 7 Drawing Sheets**



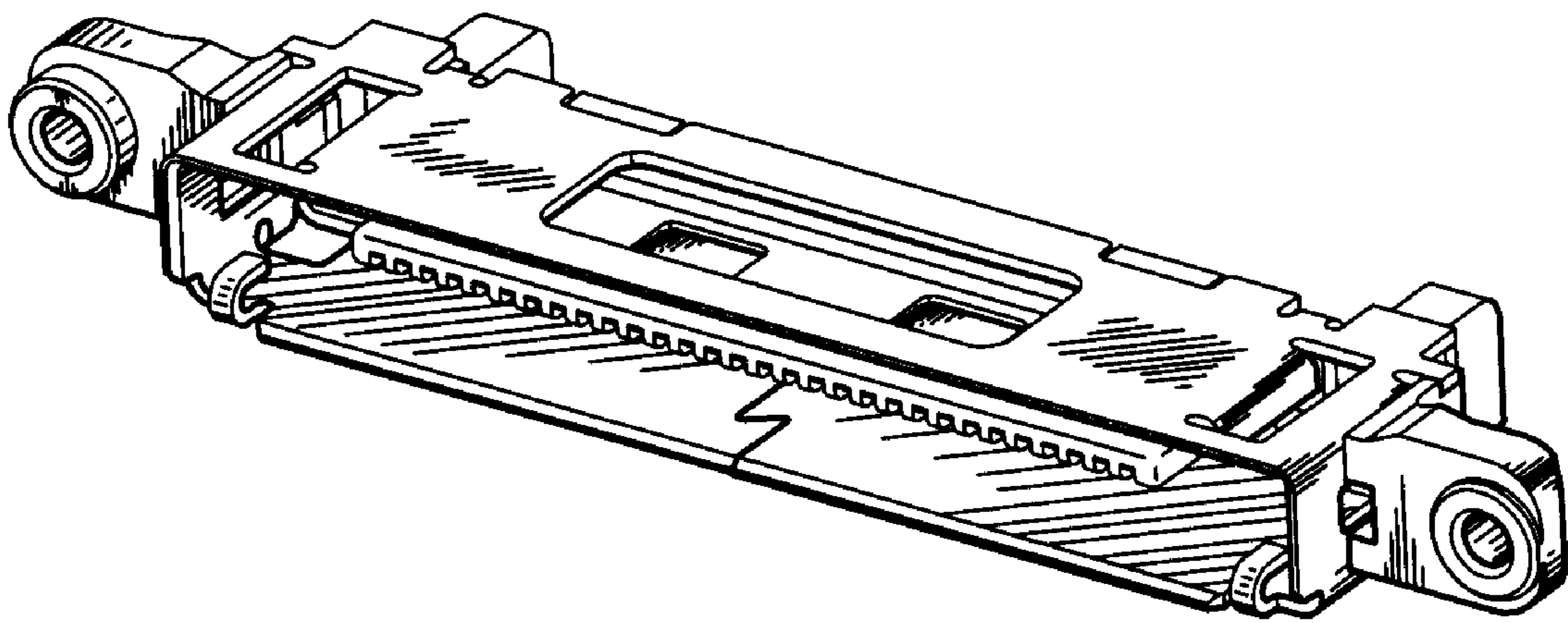


FIG. 1

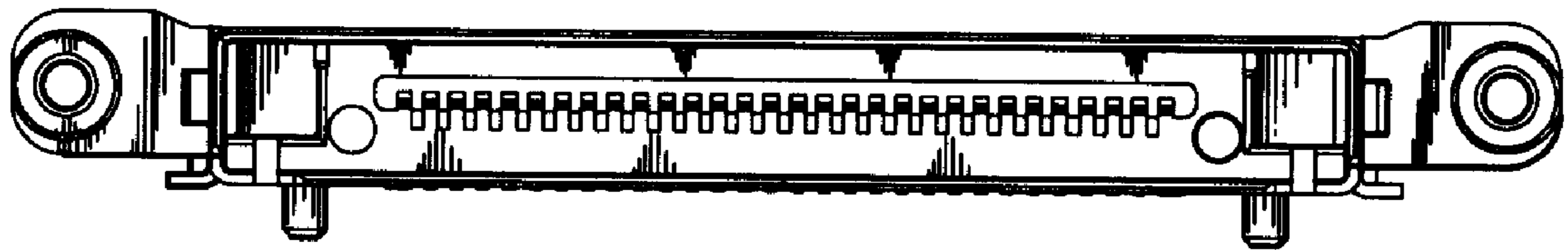


FIG. 2

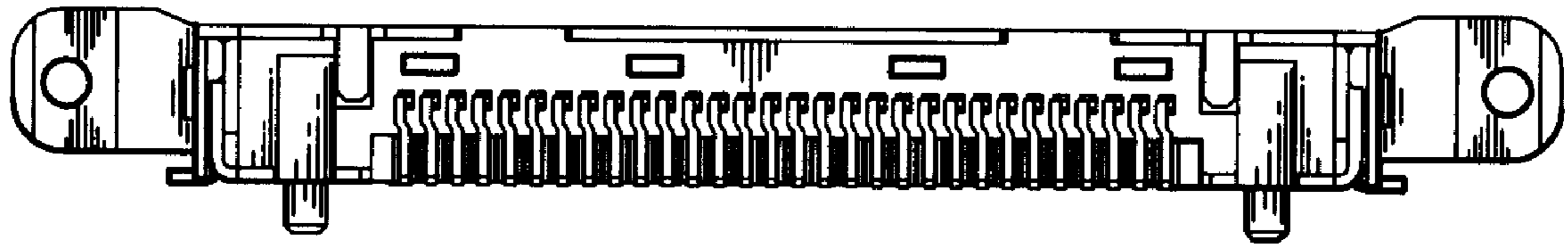


FIG. 3

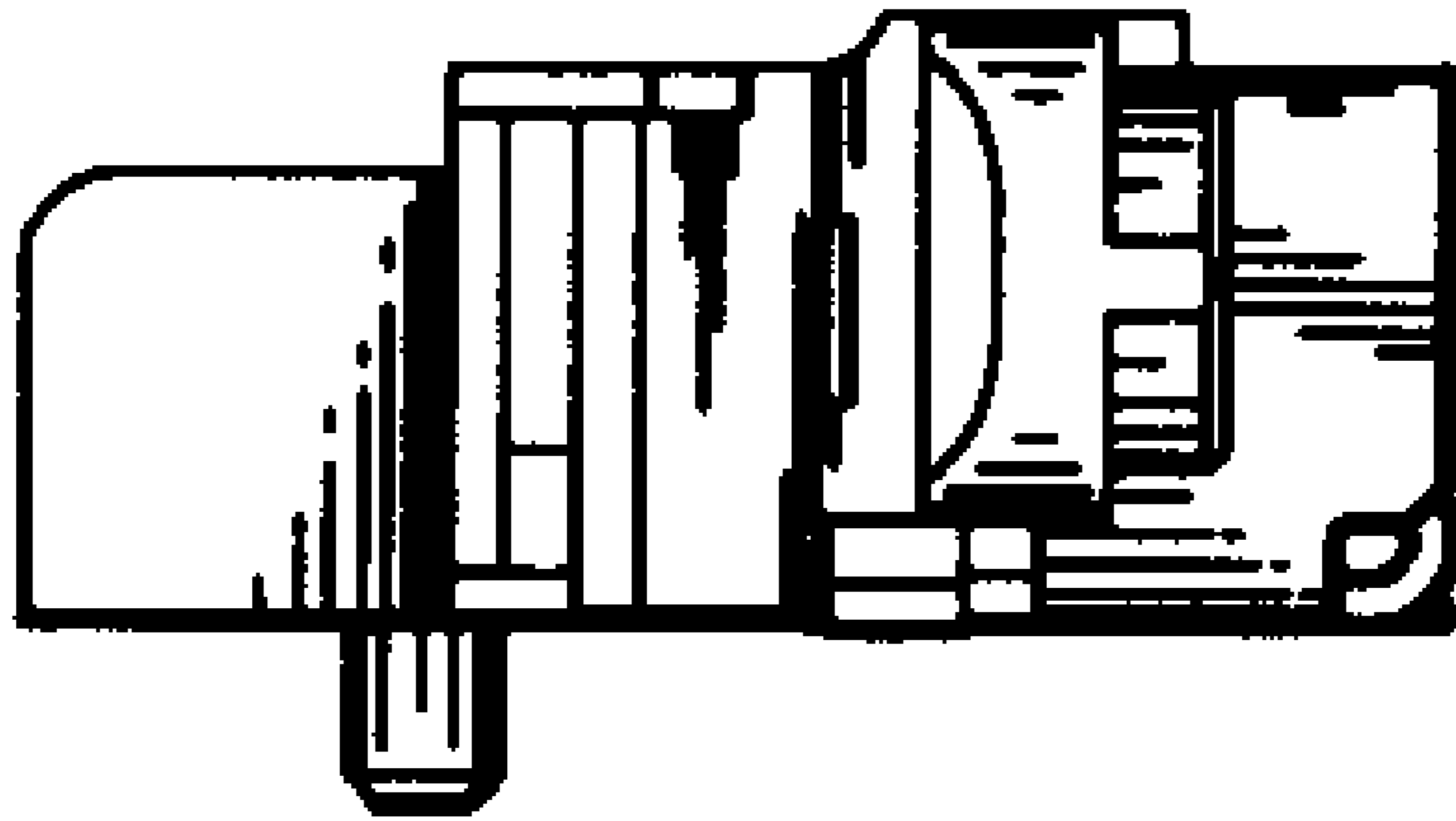


FIG. 4

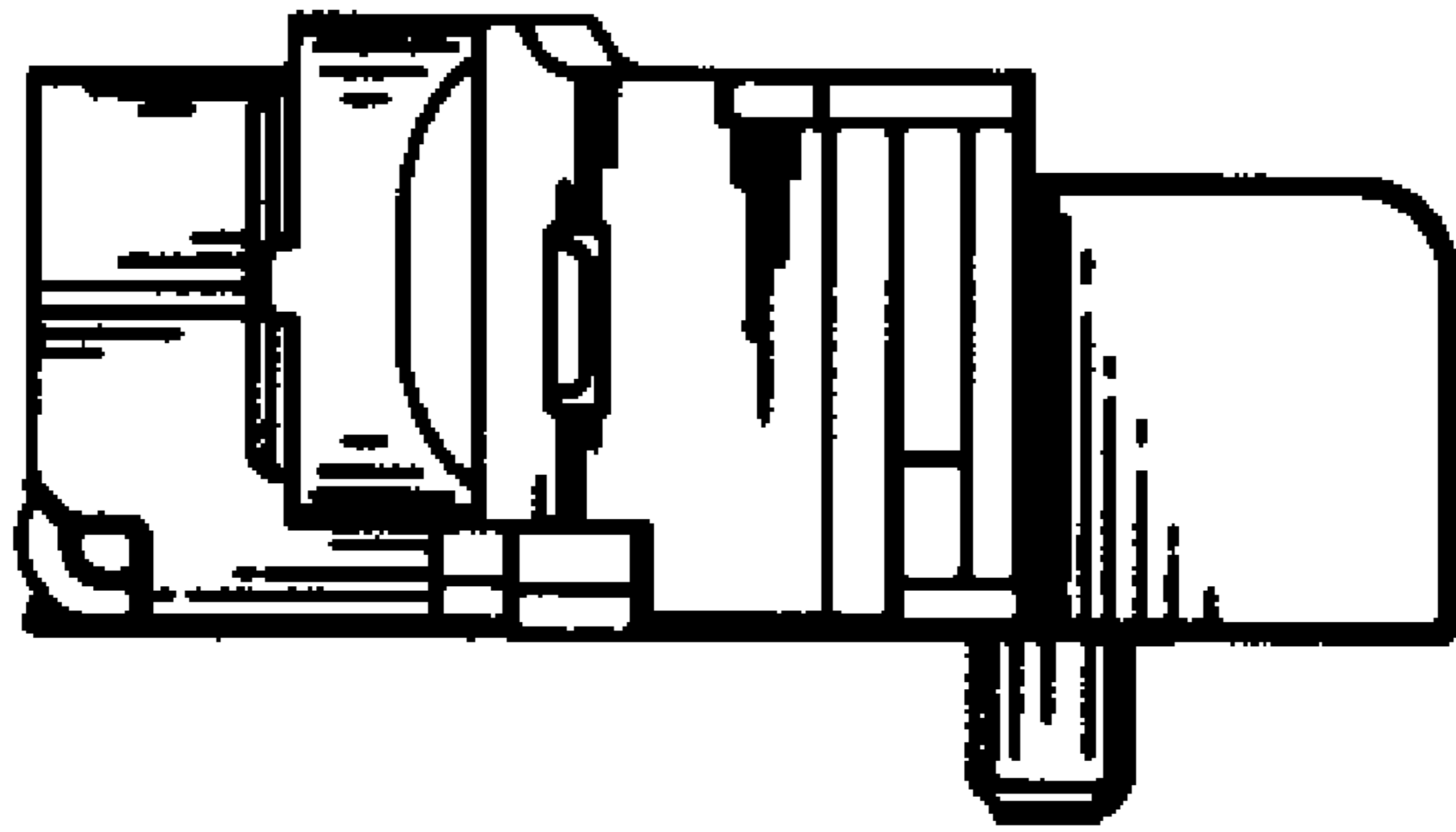


FIG. 5

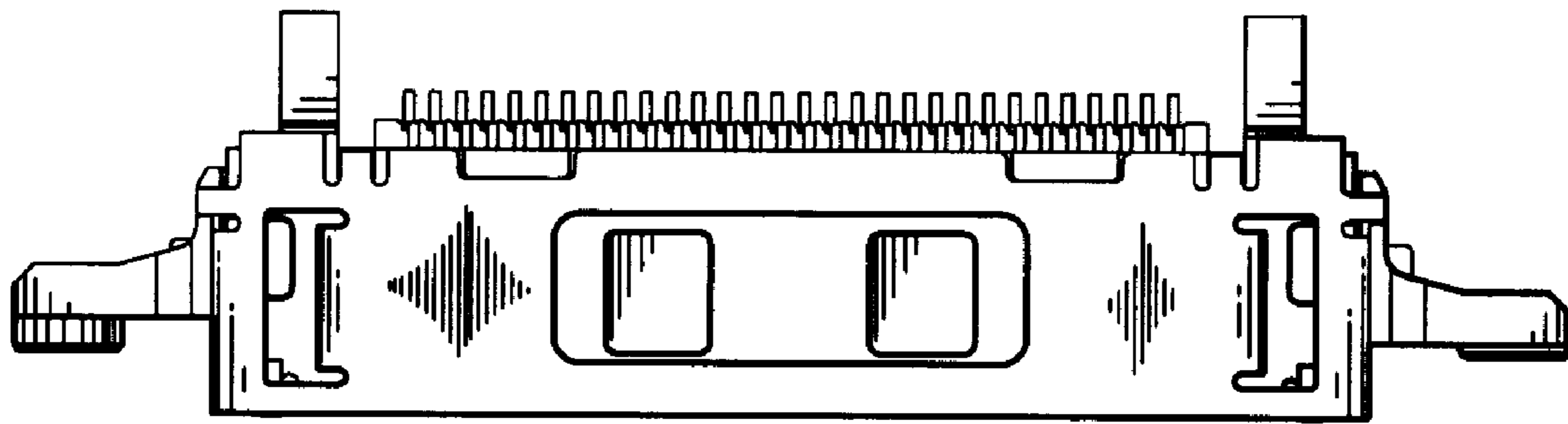


FIG. 6

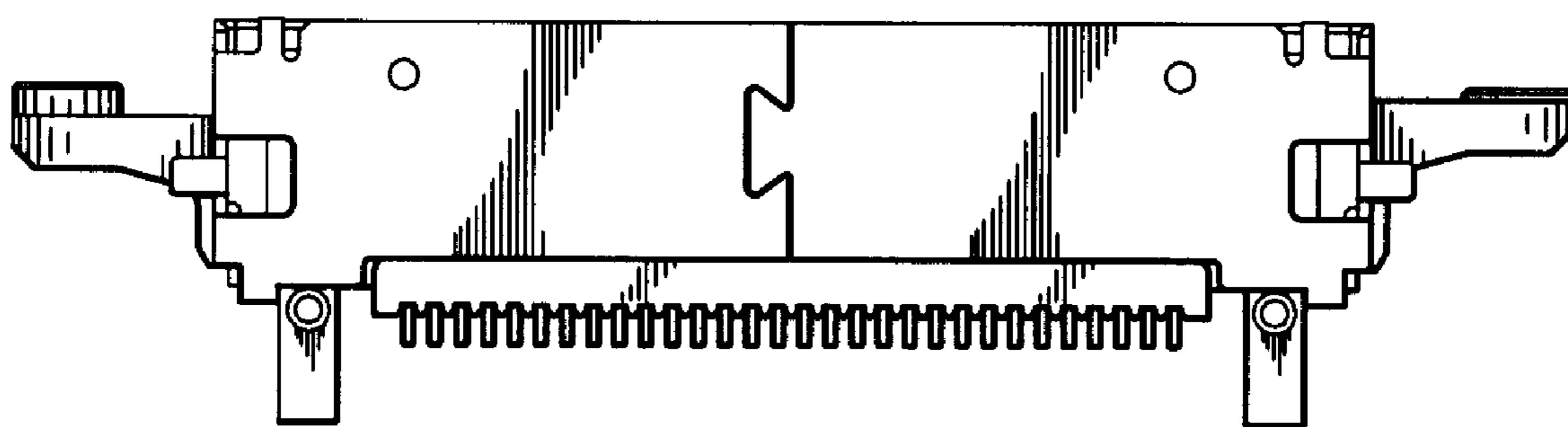


FIG. 7