



US00D553090S

(12) **United States Design Patent**
Lai et al.

(10) **Patent No.:** **US D553,090 S**

(45) **Date of Patent:** **** Oct. 16, 2007**

(54) **RECEPTACLE CONNECTOR**

D524,746 S * 7/2006 Lai D13/147
7,114,981 B1 * 10/2006 Huang et al. 439/353

(75) Inventors: **Ming Chung Lai**, Tu-Cheng (TW);
Mao Jung Huang, Tu-Cheng (TW)

* cited by examiner

(73) Assignee: **Cheng Uei Precision Industry Co., Ltd.**, Taipei Hsien (TW)

Primary Examiner—Daniel Bui
(74) *Attorney, Agent, or Firm*—Rosenberg, Klein & Lee

(**) Term: **14 Years**

(57) **CLAIM**

(21) Appl. No.: **29/264,311**

The ornamental design for a receptacle connector, as shown and described.

(22) Filed: **Aug. 9, 2006**

DESCRIPTION

(51) **LOC (8) Cl.** **13-03**

(52) **U.S. Cl.** **D13/147**

(58) **Field of Classification Search** D13/133,
D13/146–147, 154, 184, 199; 439/79, 83,
439/108, 353, 358, 594, 597, 600, 680, 607–610,
439/639, 677

See application file for complete search history.

FIG. 1 is a perspective view of a receptacle connector showing our new design;

FIG. 2 is a front elevational view thereof;

FIG. 3 is a rear elevational view thereof;

FIG. 4 is a left side elevational view thereof;

FIG. 5 is a right side elevational view thereof;

FIG. 6 is a top plan view thereof; and,

FIG. 7 is a bottom plan view thereof.

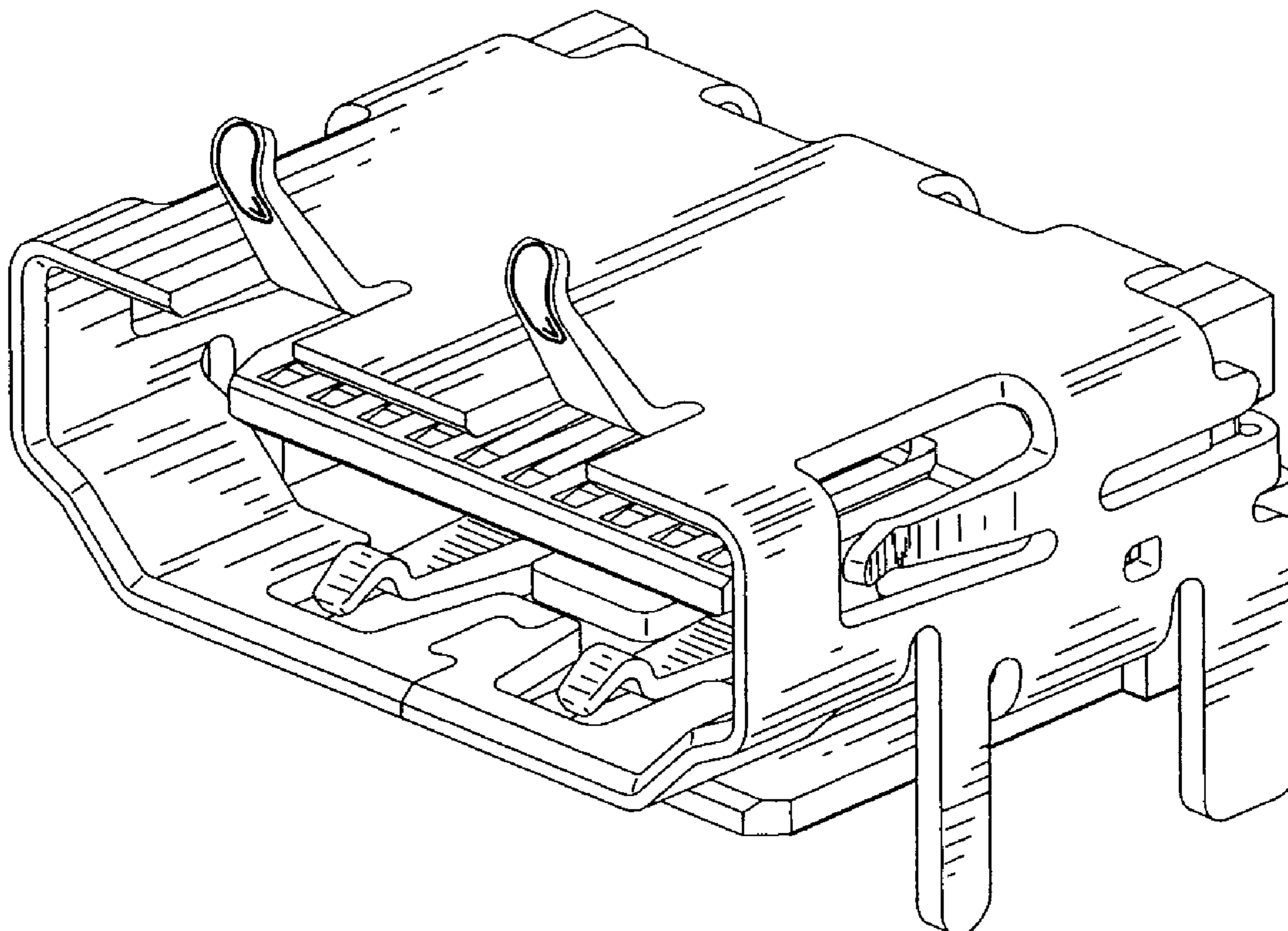
The broken line showing of the environment is for illustrative purposes only and forms no part of the claimed design.

(56) **References Cited**

U.S. PATENT DOCUMENTS

D478,320 S * 8/2003 Suzuki et al. D13/147
D482,331 S * 11/2003 Suzuki et al. D13/147
D509,190 S * 9/2005 Tsai D13/147
7,029,331 B1 * 4/2006 Lai 439/609

1 Claim, 7 Drawing Sheets



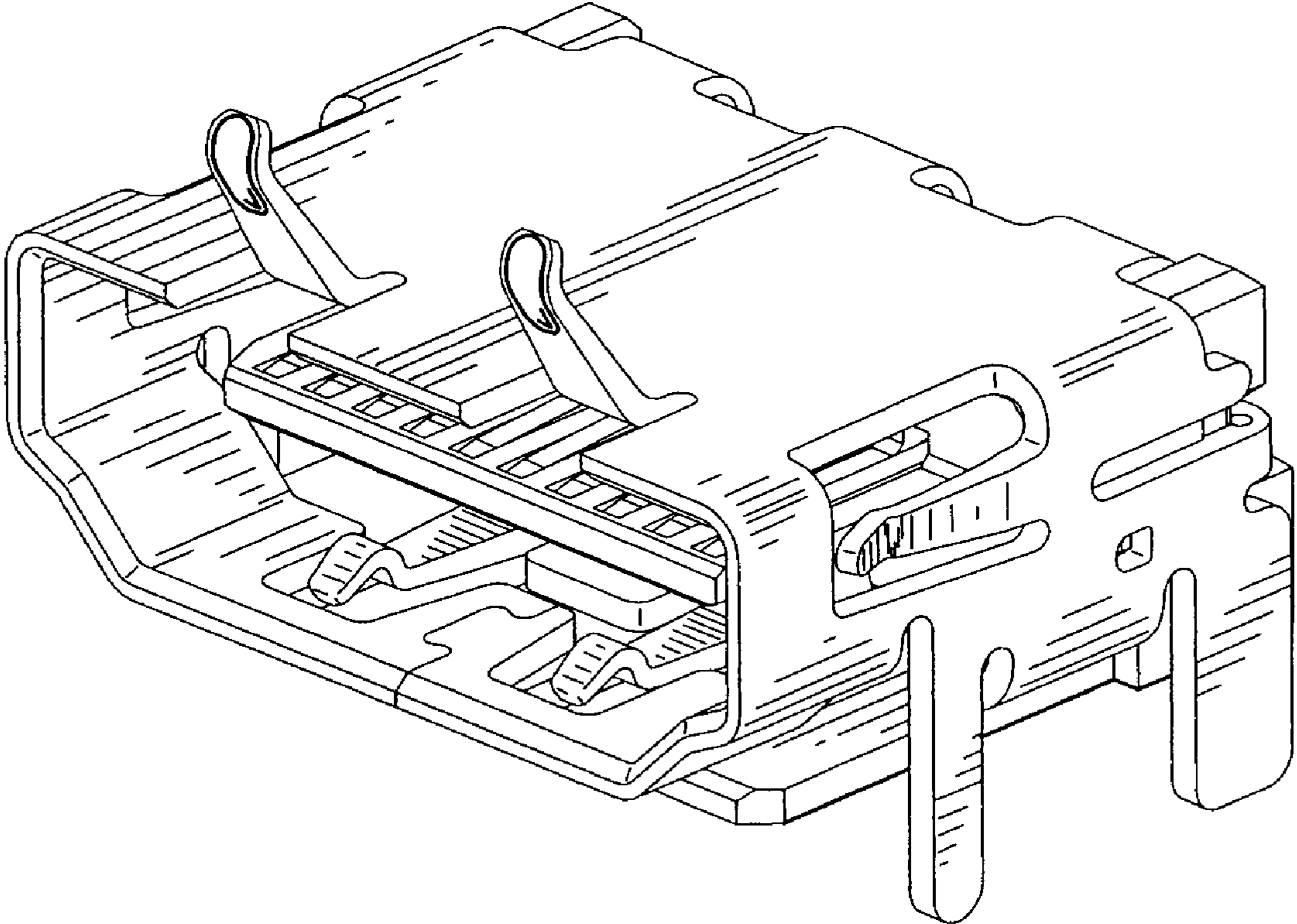


FIG. 1

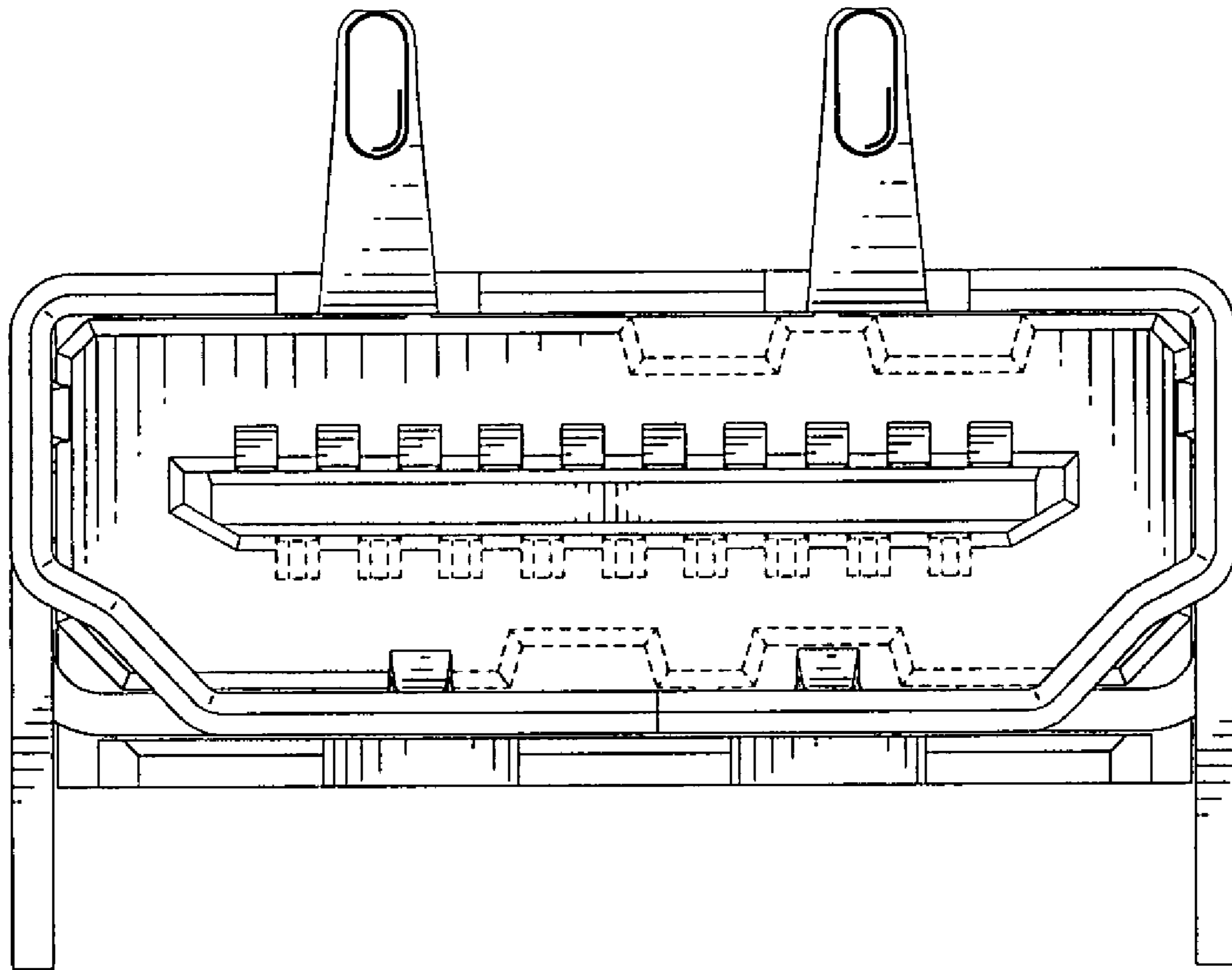


FIG. 2

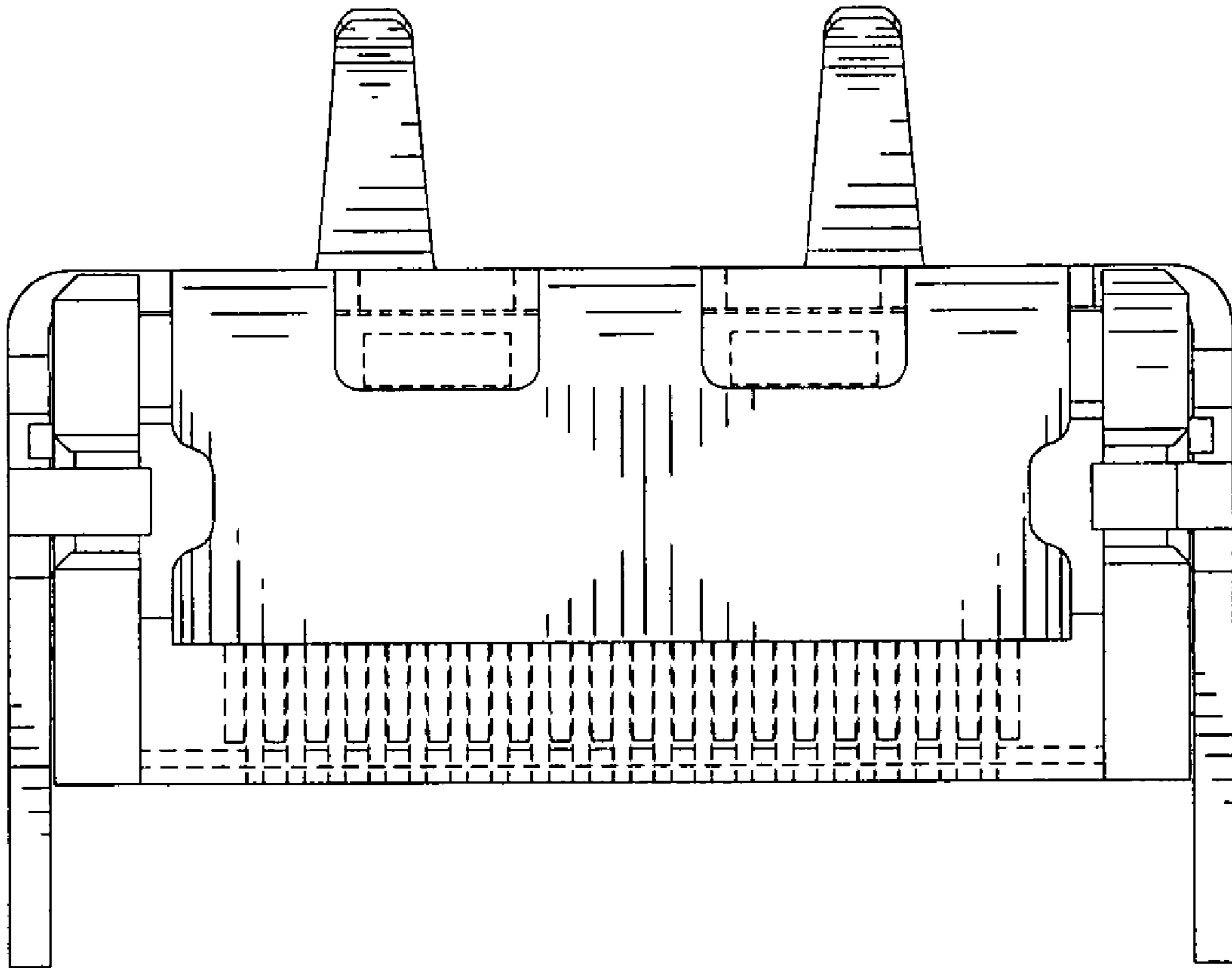


FIG. 3

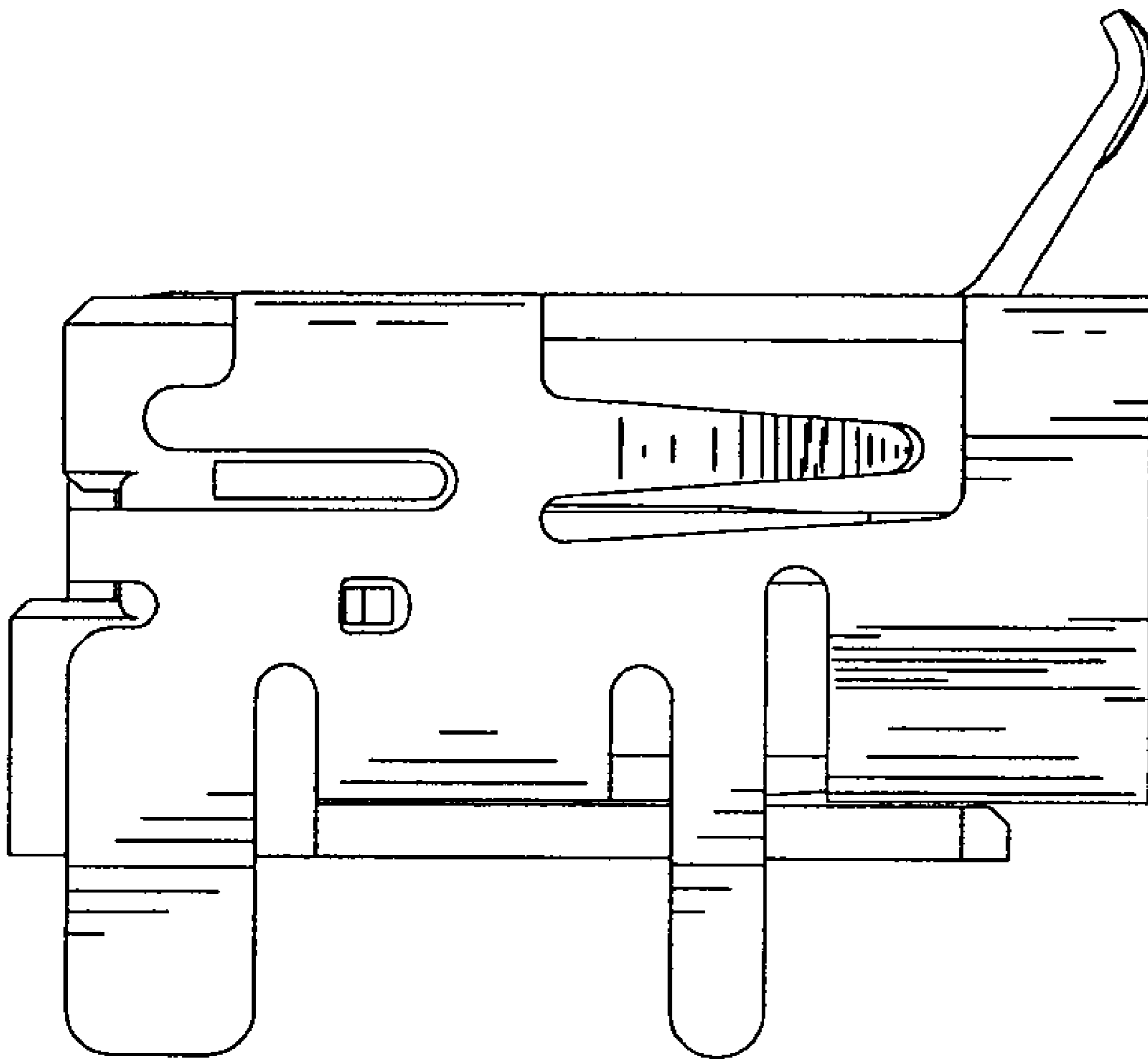


FIG. 4

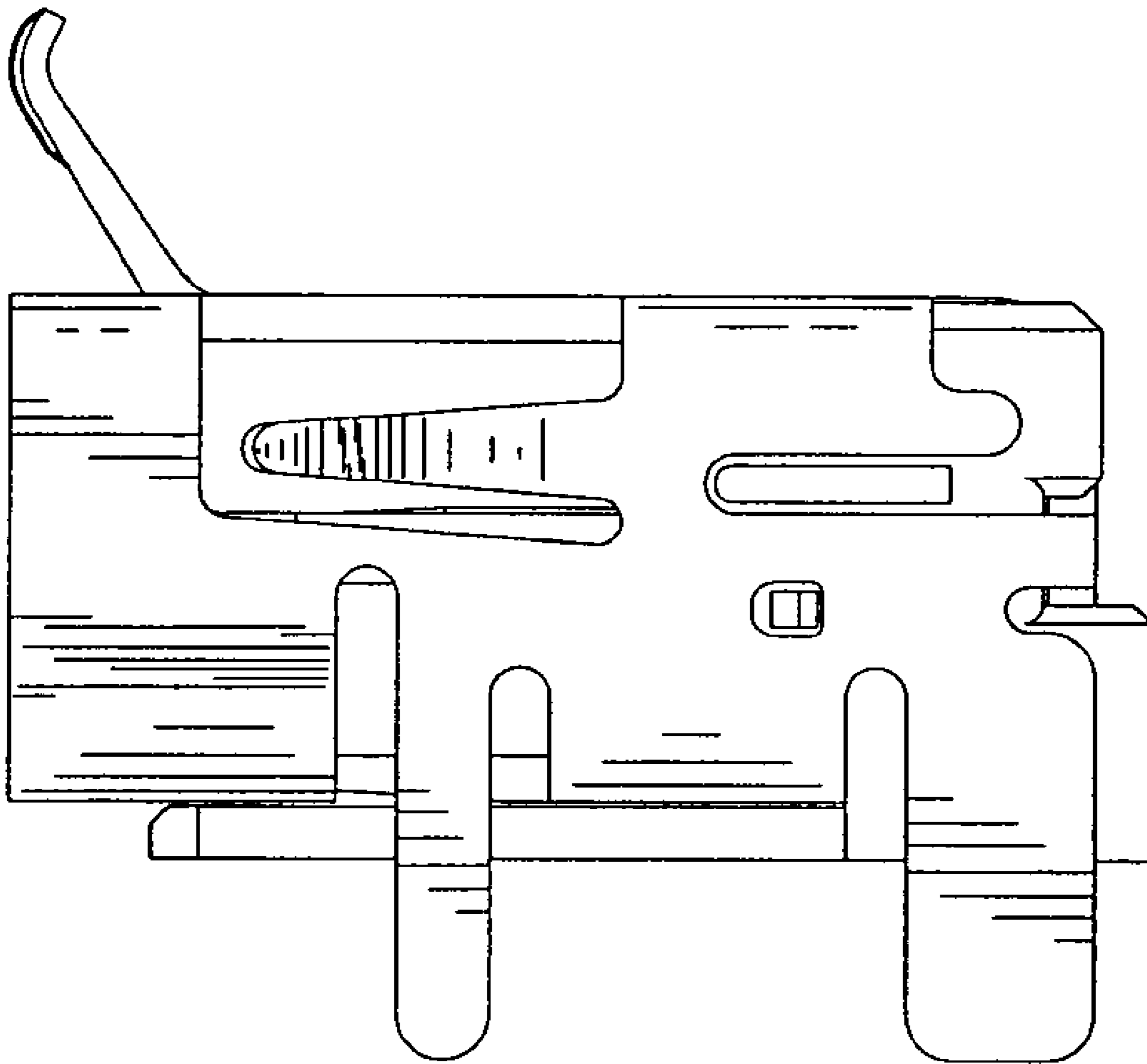


FIG. 5

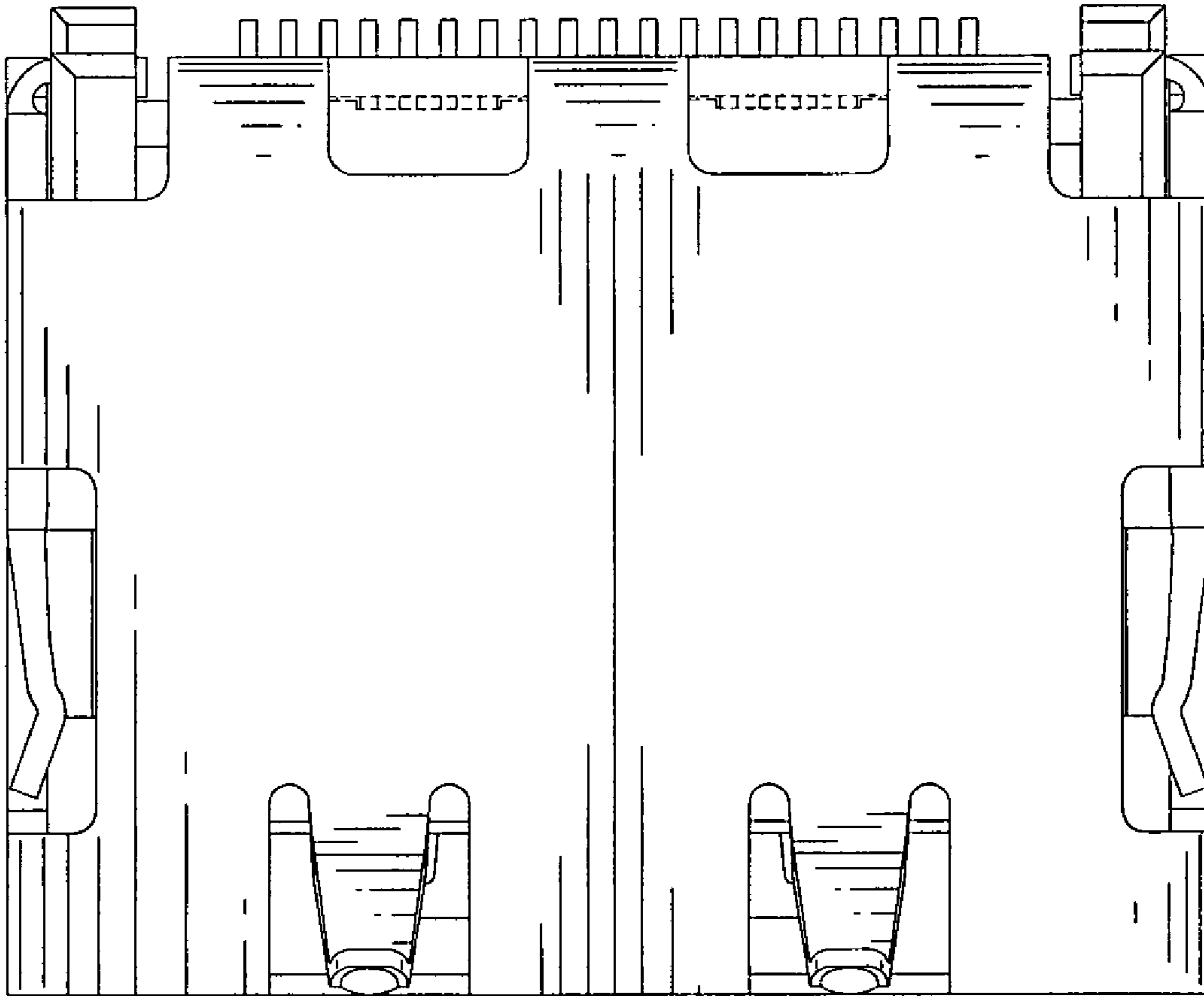


FIG. 6

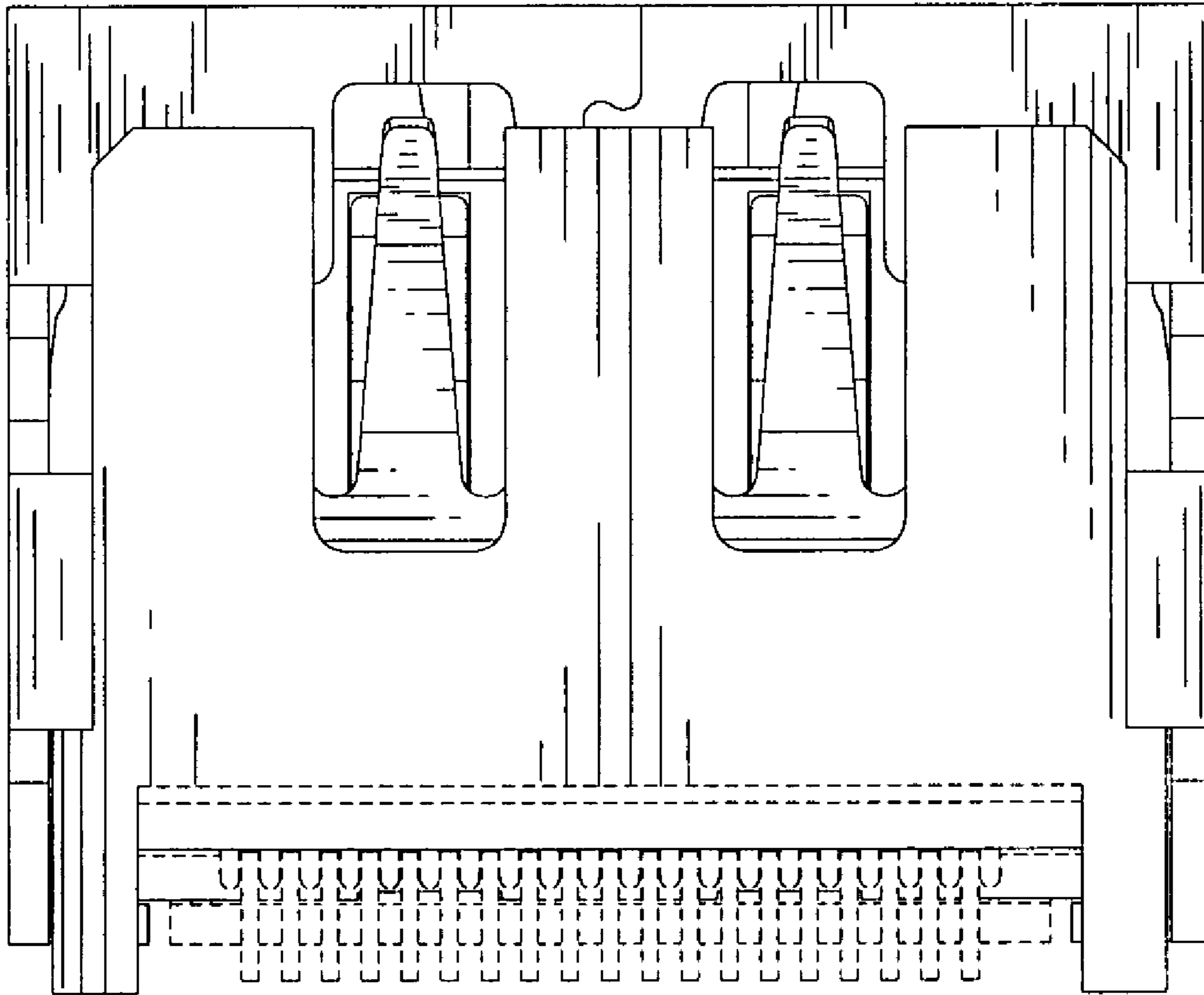


FIG. 7