



US00D553087S

(12) **United States Design Patent** (10) **Patent No.:** **US D553,087 S**
Ashida et al. (45) **Date of Patent:** **** Oct. 16, 2007**

(54) **CABLE CONNECTOR PLUG**

(75) Inventors: **Kenichiro Ashida**, Kyoto (JP); **Yuji Hori**, Kyoto (JP); **Masato Ibuki**, Kyoto (JP); **Shinji Yamamoto**, Kyoto (JP); **Fumiyoshi Suetake**, Kyoto (JP); **Akiko Suga**, Kyoto (JP); **Hirokazu Matsui**, Kyoto (JP)

(73) Assignee: **Nintendo Co., Ltd.**, Kyoto (JP)

(**) Term: **14 Years**

(21) Appl. No.: **29/268,258**

(22) Filed: **Nov. 2, 2006**

(30) **Foreign Application Priority Data**

May 2, 2006 (JP) 2006-011547

(51) **LOC (8) Cl.** **13-03**

(52) **U.S. Cl.** **D13/133**

(58) **Field of Classification Search** D13/133, D13/146-147, 153-154, 184, 199; D14/433; 439/350, 447, 607-610, 660, 677, 680-682
See application file for complete search history.

(56) **References Cited**

U.S. PATENT DOCUMENTS

- D333,293 S 2/1993 Ashida
- D340,241 S * 10/1993 Nakamura D13/146
- D378,209 S * 2/1997 Morikawa et al. D13/147
- D381,628 S 7/1997 Ashida
- D381,977 S 8/1997 Nagata et al.
- D452,217 S * 12/2001 Shimojyo D13/147
- D453,320 S 2/2002 Sugino
- D453,498 S 2/2002 Fujita
- D454,837 S 3/2002 Ibuki et al.
- D455,403 S 4/2002 Yoneyama et al.
- D456,008 S 4/2002 Kawanobe et al.
- D468,692 S 1/2003 Ashida et al.

- D475,018 S 5/2003 Ashida et al.
- D507,533 S 7/2005 Yoneyama et al.
- D518,437 S 4/2006 Yoneyama et al.
- D520,453 S 5/2006 Yoneyama et al.
- D520,458 S * 5/2006 Wada et al. D13/156
- D531,580 S * 11/2006 Nishio et al. D13/147
- D533,503 S 12/2006 Ashida et al.
- D535,617 S 1/2007 Yoneyama et al.
- 2004/0115990 A1 * 6/2004 Kodama 439/607

OTHER PUBLICATIONS

Ashida et al., entitled, "Connector Plug for Electronic Game Machine," U.S. Appl. No. 29/271,697, filed Jan. 25, 2007, pending.

(Continued)

Primary Examiner—Daniel Bui

(74) *Attorney, Agent, or Firm*—Nixon & Vanderhye, PC

(57) **CLAIM**

The ornamental design for a cable connector plug, as shown and described.

DESCRIPTION

FIG. 1 is a front, top and right perspective view of a cable connector plug showing our new design;

FIG. 2 is a rear, bottom and left perspective view thereof;

FIG. 3 is a front view thereof;

FIG. 4 is a rear view thereof;

FIG. 5 is a top plan view thereof;

FIG. 6 is a bottom plan view thereof;

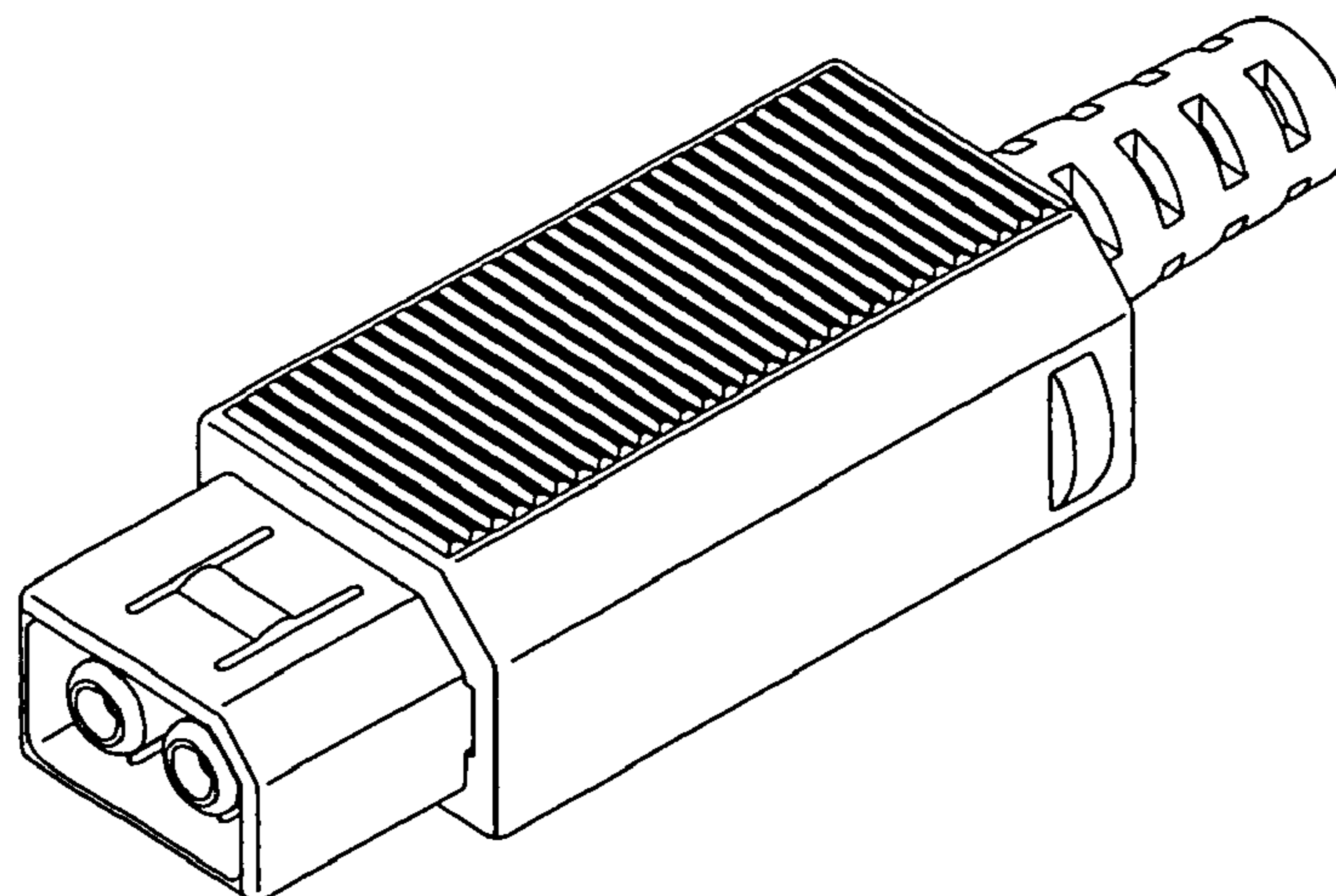
FIG. 7 is a left side view thereof;

FIG. 8 is a right side view thereof;

FIG. 9 is an enlarged view of a portion indicated by 9—9 in FIG. 5; and,

FIG. 10 is an enlarged view of a portion indicated by 10—10 in FIG. 8.

1 Claim, 3 Drawing Sheets



OTHER PUBLICATIONS

Kawanobe, entitled, "Connector Plug," U.S. Appl. No. 29/270,361, filed Dec. 21, 2006, pending.

Ashida et al., entitled, "Cable Connector Plug," U.S. Appl. No. 29/268,257, filed Nov. 2, 2006, pending.

Ashida et al., entitled, "Cable Connector Plug," U.S. Appl. No. 29/268,253, filed Nov. 2, 2006, pending.

Kawanobe, entitled, "A Cable Connector Plug for Hand-Held Electronic Game Machine," U.S. Appl. No. 29/242,561, filed Nov. 14, 2005, pending.

Fujino, entitled, "Connector Plug for Electronic Game Machine," U.S. Appl. No. 29/263,345, filed Jul. 21, 2006, pending.

* cited by examiner

FIG. 1

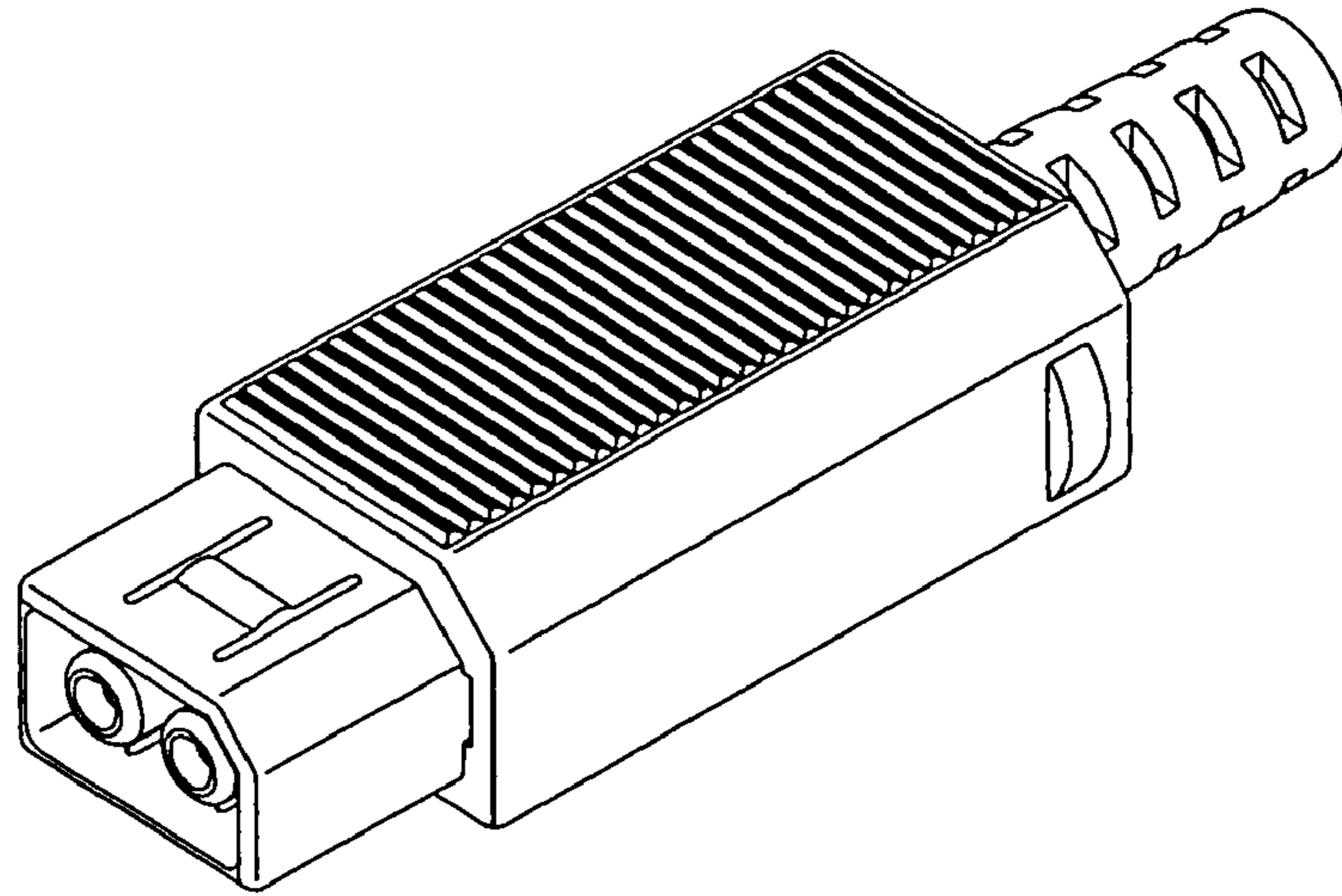


FIG. 2

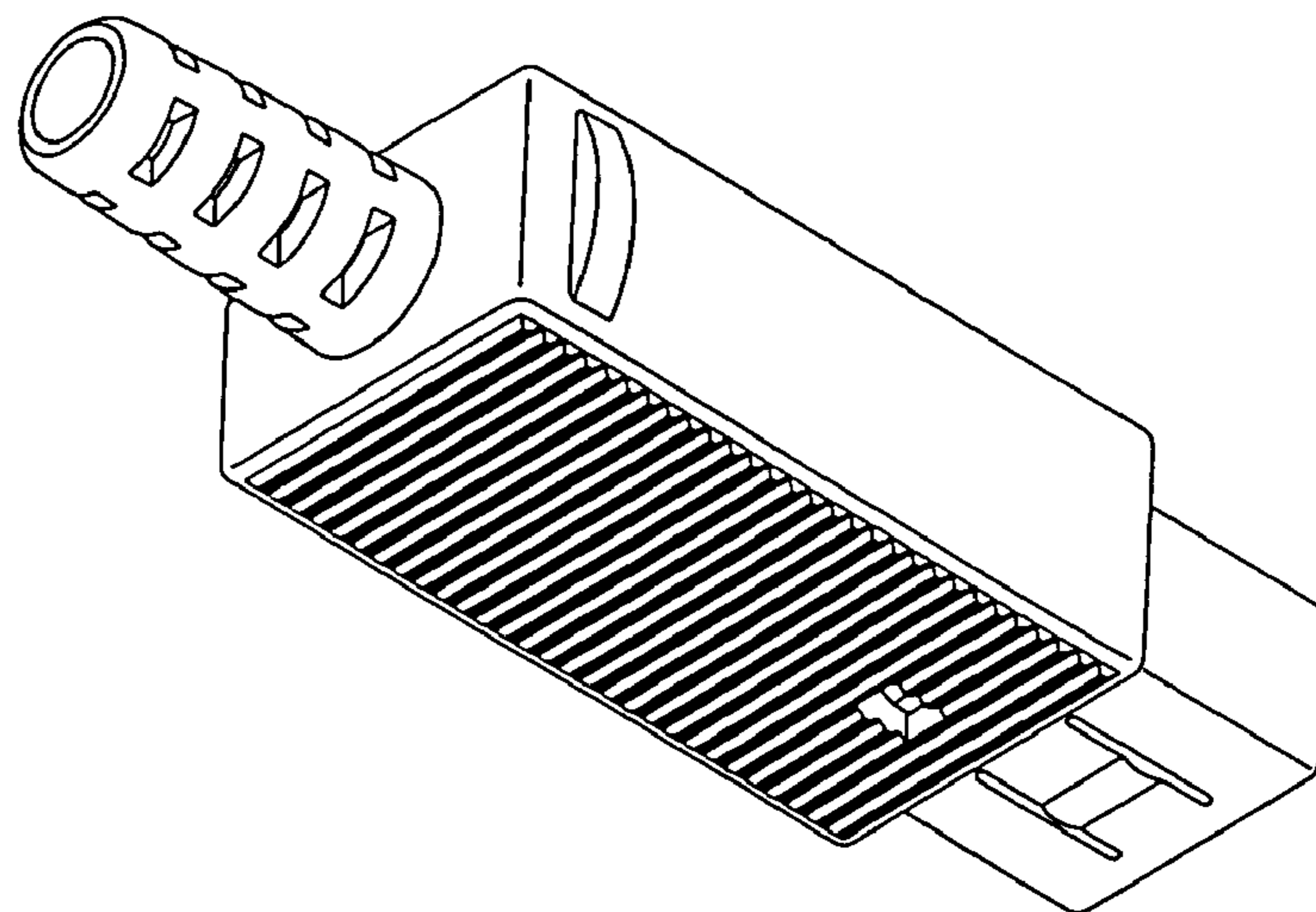


FIG. 3

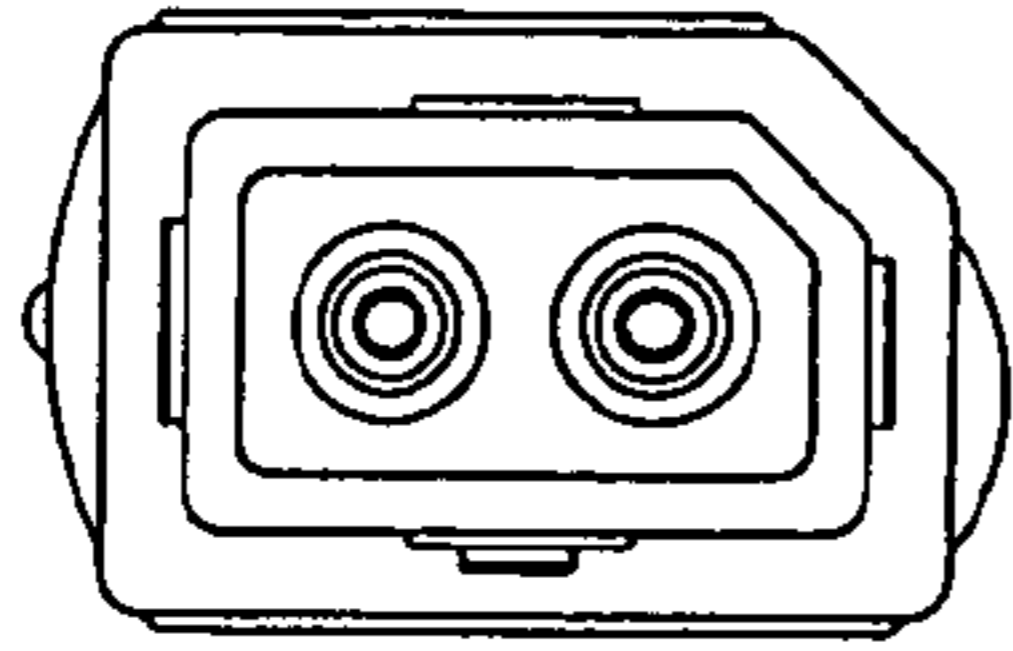


FIG. 4

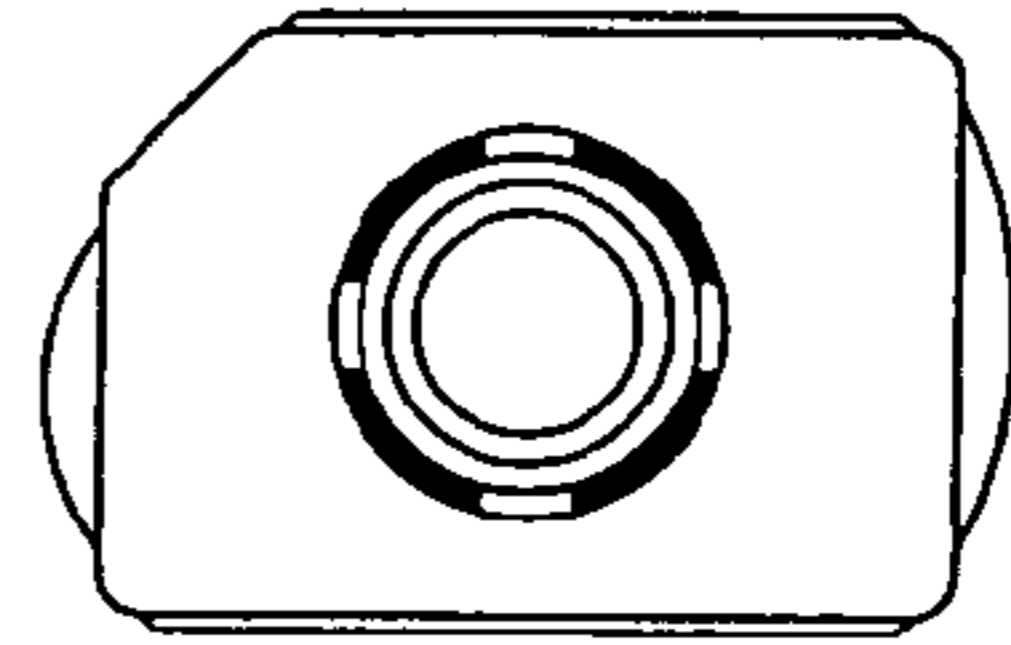


FIG. 5

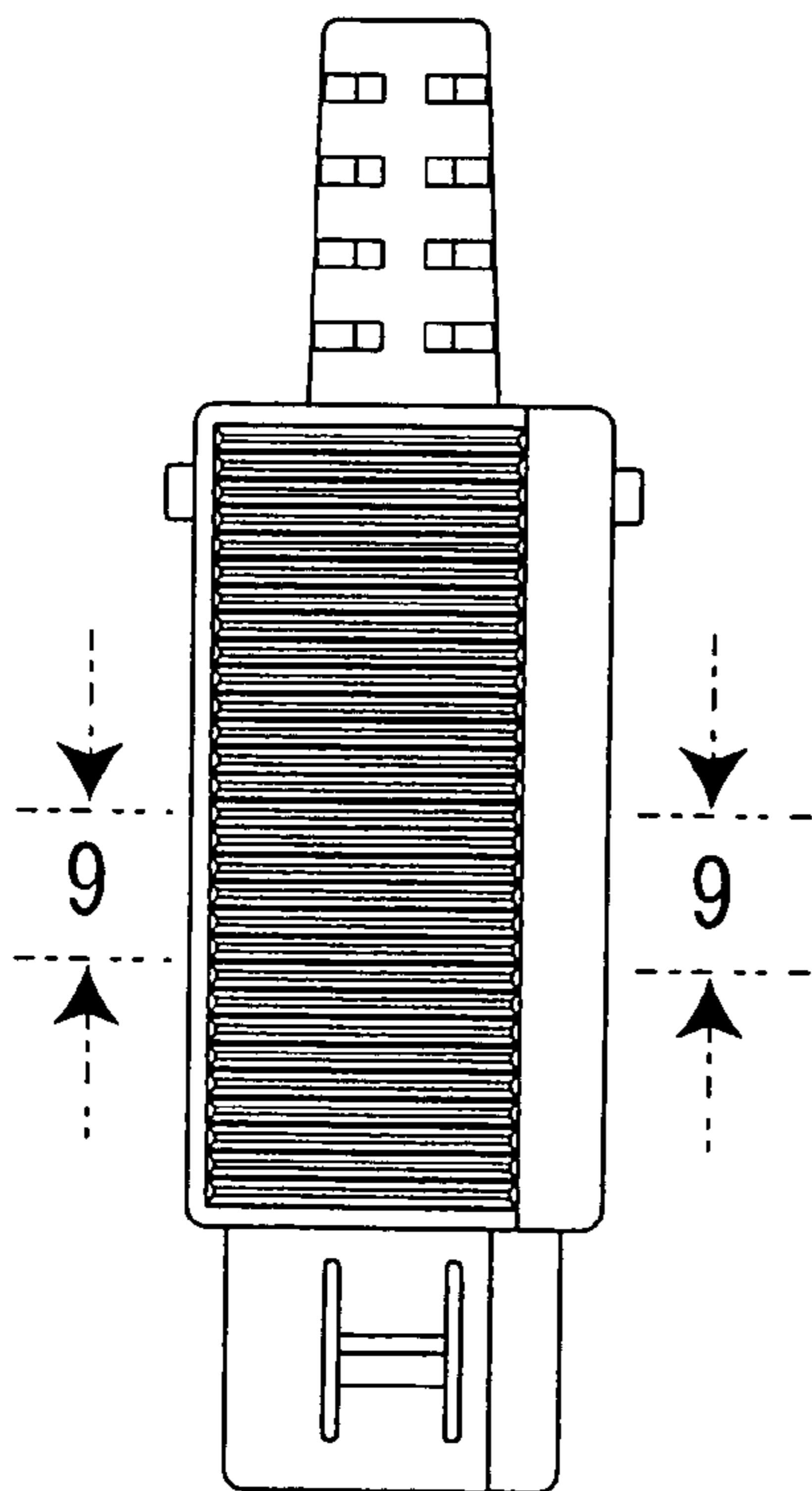


FIG. 6

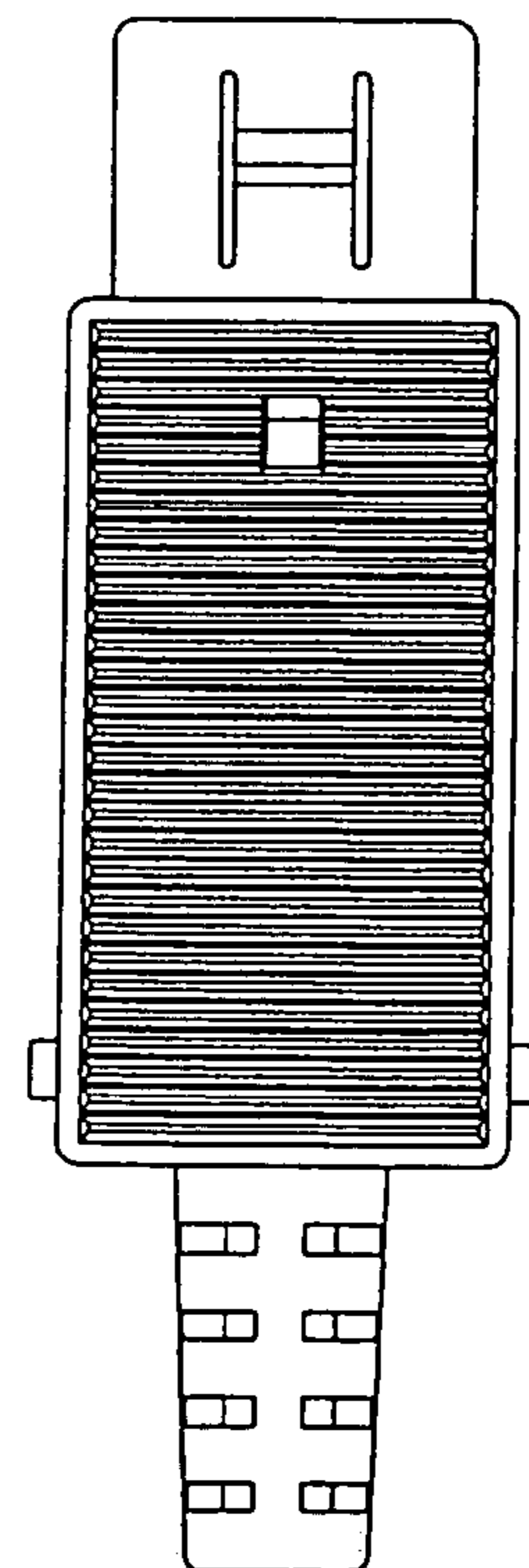


FIG. 7

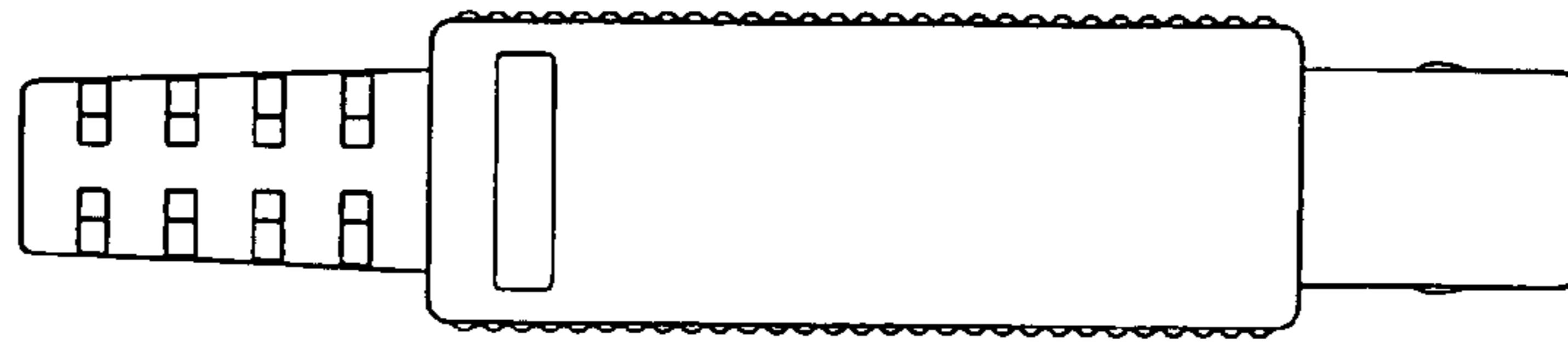


FIG. 8

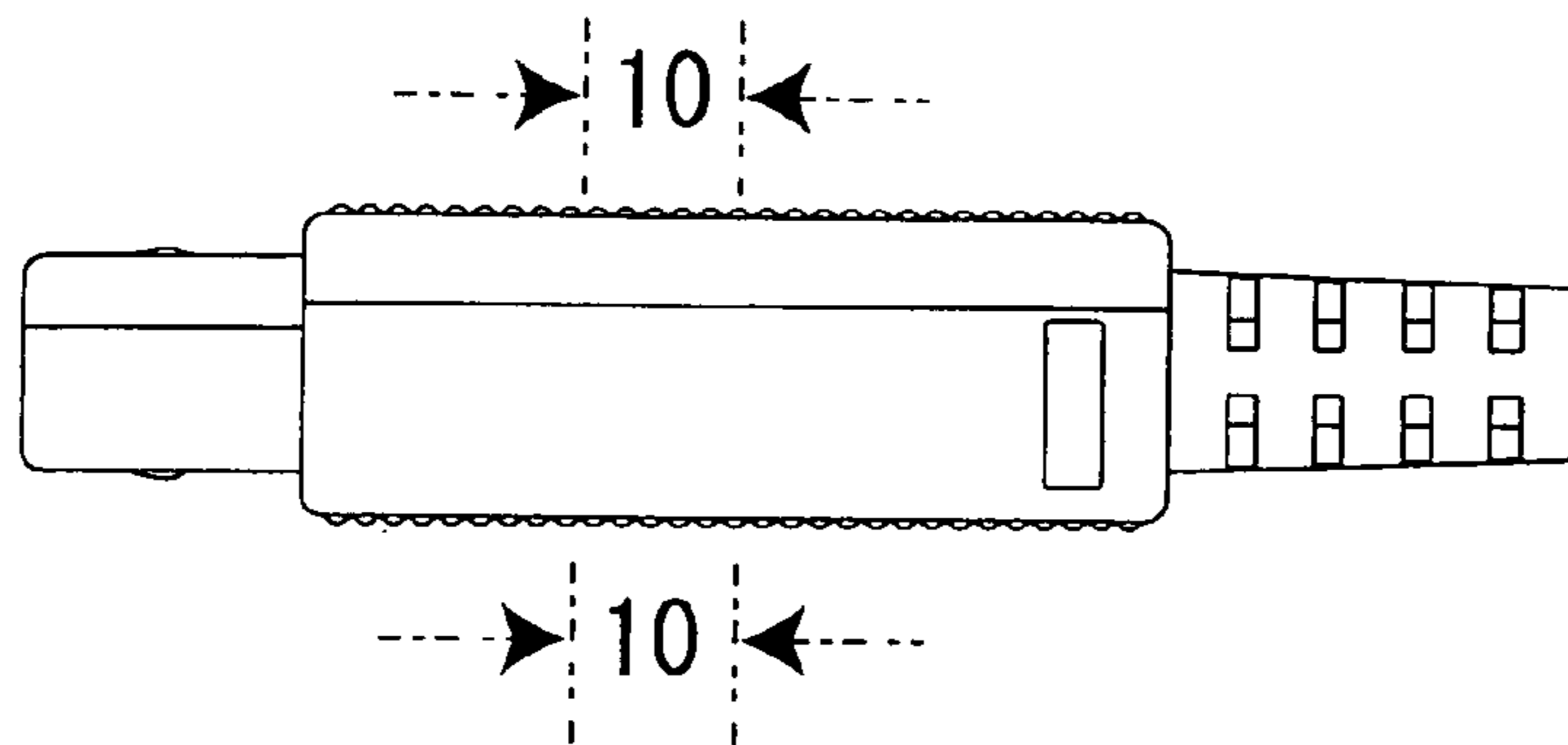


FIG. 9

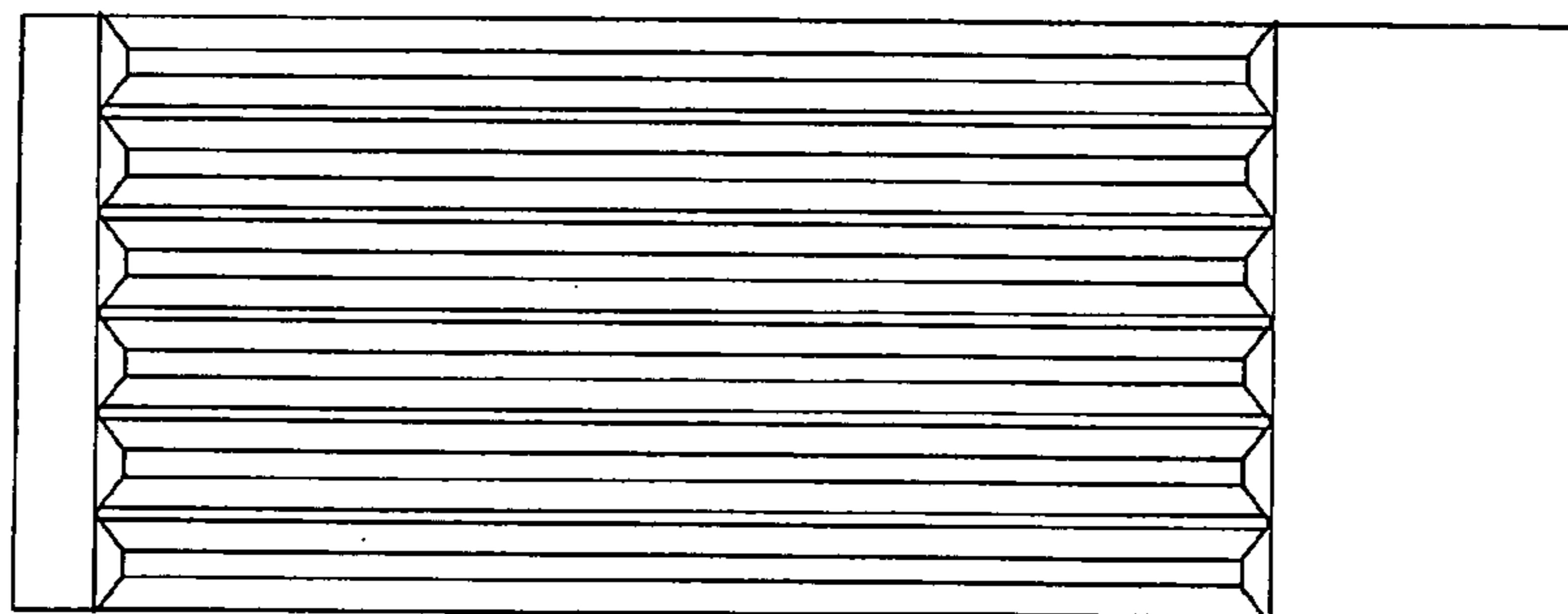


FIG. 10

