



US00D553086S

(12) **United States Design Patent**
Peng et al.

(10) **Patent No.:** **US D553,086 S**

(45) **Date of Patent:** **** Oct. 16, 2007**

(54) **CONTACT OF BOARD TO BOARD
CONNECTOR**

(75) Inventors: **Yung-chi Peng**, Tu-Cheng (TW);
Shin-da Chen, Tu-Cheng (TW)

(73) Assignee: **Cheng Uei Precision Industry Co.,
Ltd.**, Taipei Hsien (TW)

(**) Term: **14 Years**

(21) Appl. No.: **29/266,615**

(22) Filed: **Sep. 26, 2006**

(51) **LOC (8) Cl.** **13-03**

(52) **U.S. Cl.** **D13/133; D13/154**

(58) **Field of Classification Search** D13/133,
D13/146, 154, 184, 199; 439/397, 401, 404,
439/834, 845, 849-852, 884-885, 887
See application file for complete search history.

(56) **References Cited**

U.S. PATENT DOCUMENTS

5,110,304 A * 5/1992 Kjeldahl 439/398
5,738,532 A * 4/1998 Takano et al. 439/79
6,923,671 B2 * 8/2005 Uezono 439/404

D514,522 S * 2/2006 Chiang et al. D13/154
D516,524 S * 3/2006 Su D13/154
2003/0216086 A1 * 11/2003 Billman et al. 439/862
2004/0048523 A1 * 3/2004 Huang et al. 439/862

* cited by examiner

Primary Examiner—Daniel Bui

(74) *Attorney, Agent, or Firm*—Rosenberg, Klein & Lee

(57) **CLAIM**

The ornamental design for a contact of board to board connector, as shown and described.

DESCRIPTION

FIG. 1 is a perspective view of a contact of board to board connector showing our new design;

FIG. 2 is a front elevational view thereof;

FIG. 3 is a rear elevational view thereof;

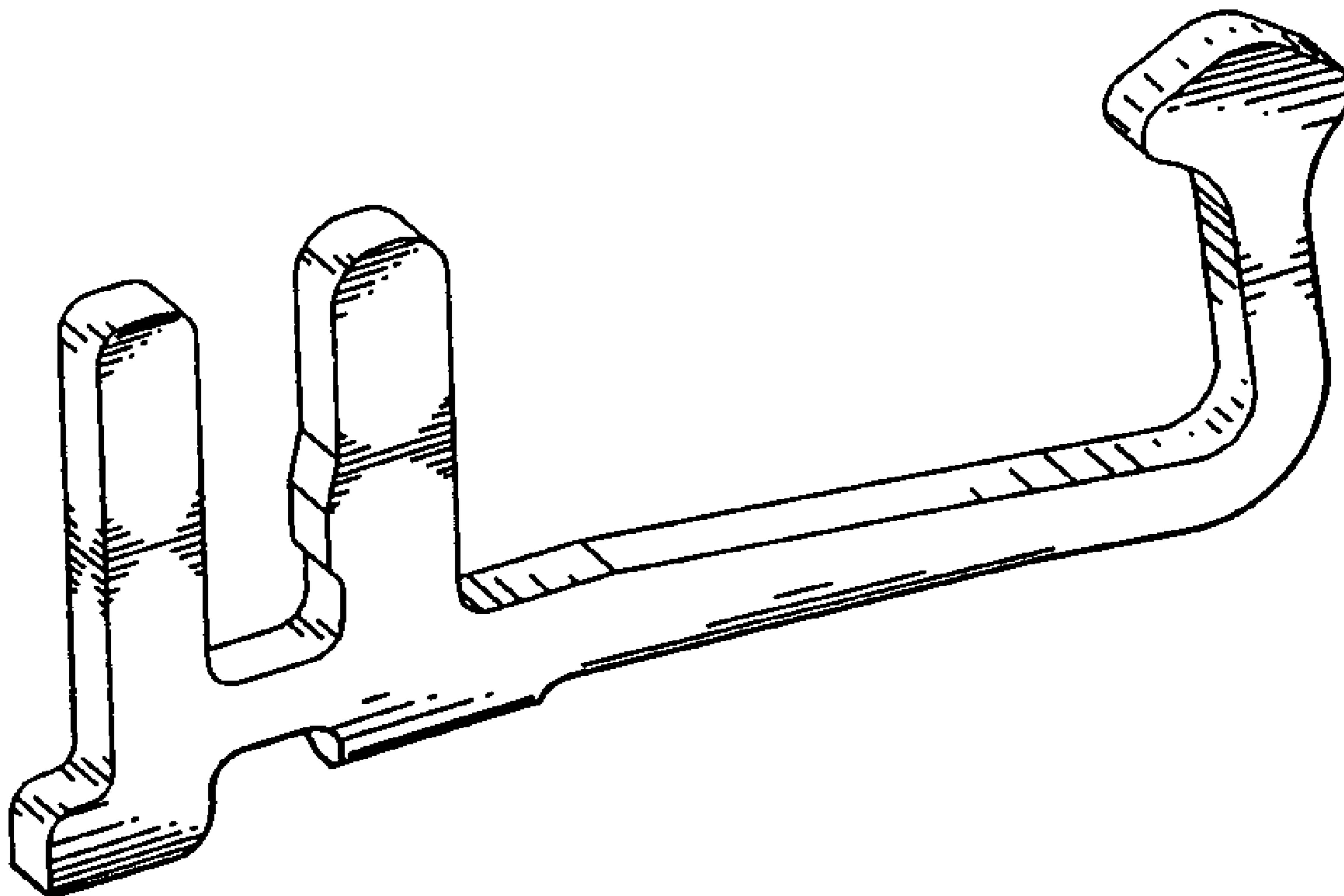
FIG. 4 is a left side elevational view thereof;

FIG. 5 is a right side elevational view thereof;

FIG. 6 is a top plan view thereof; and,

FIG. 7 is a bottom plan view thereof.

1 Claim, 7 Drawing Sheets



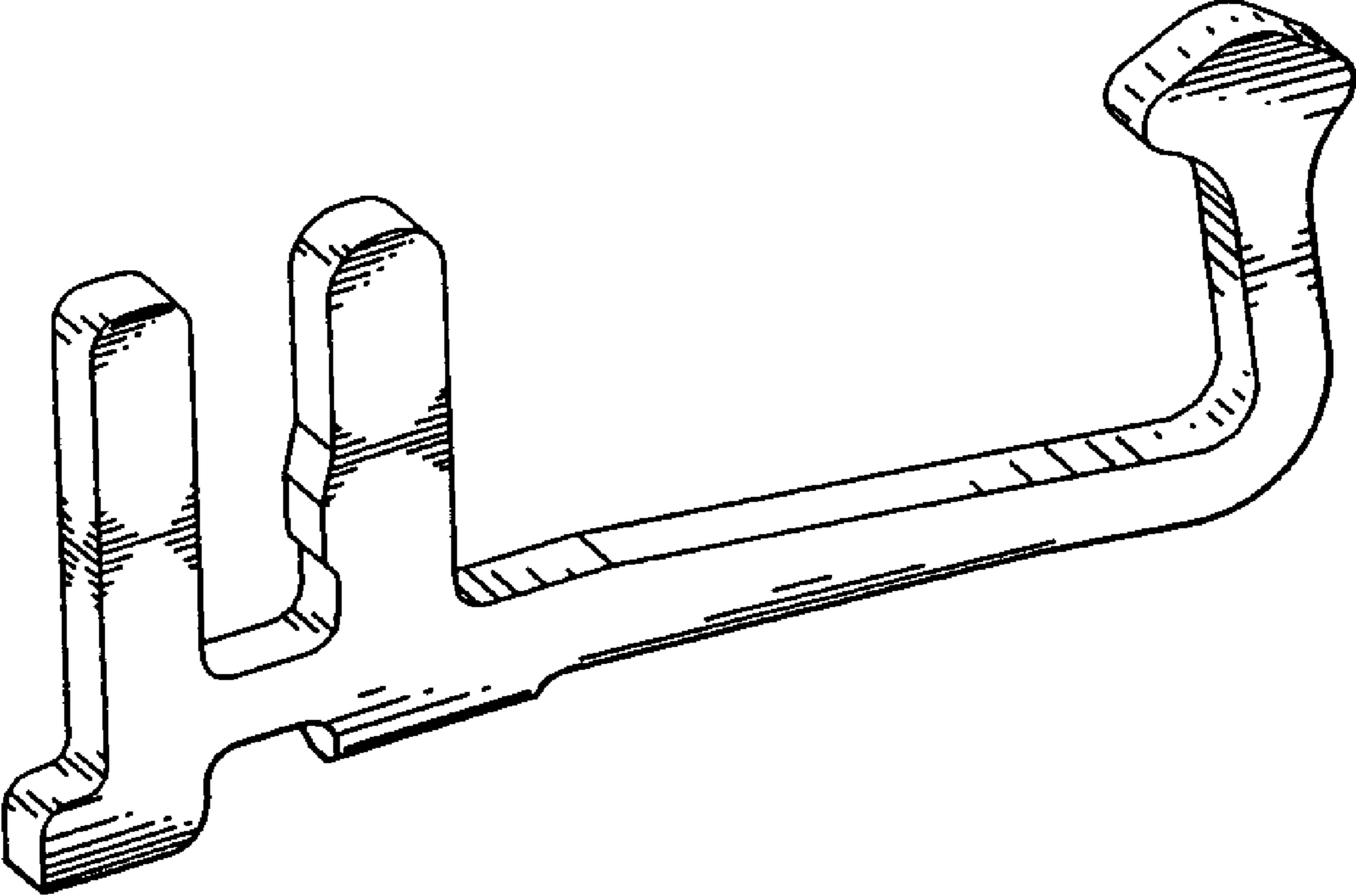


FIG. 1

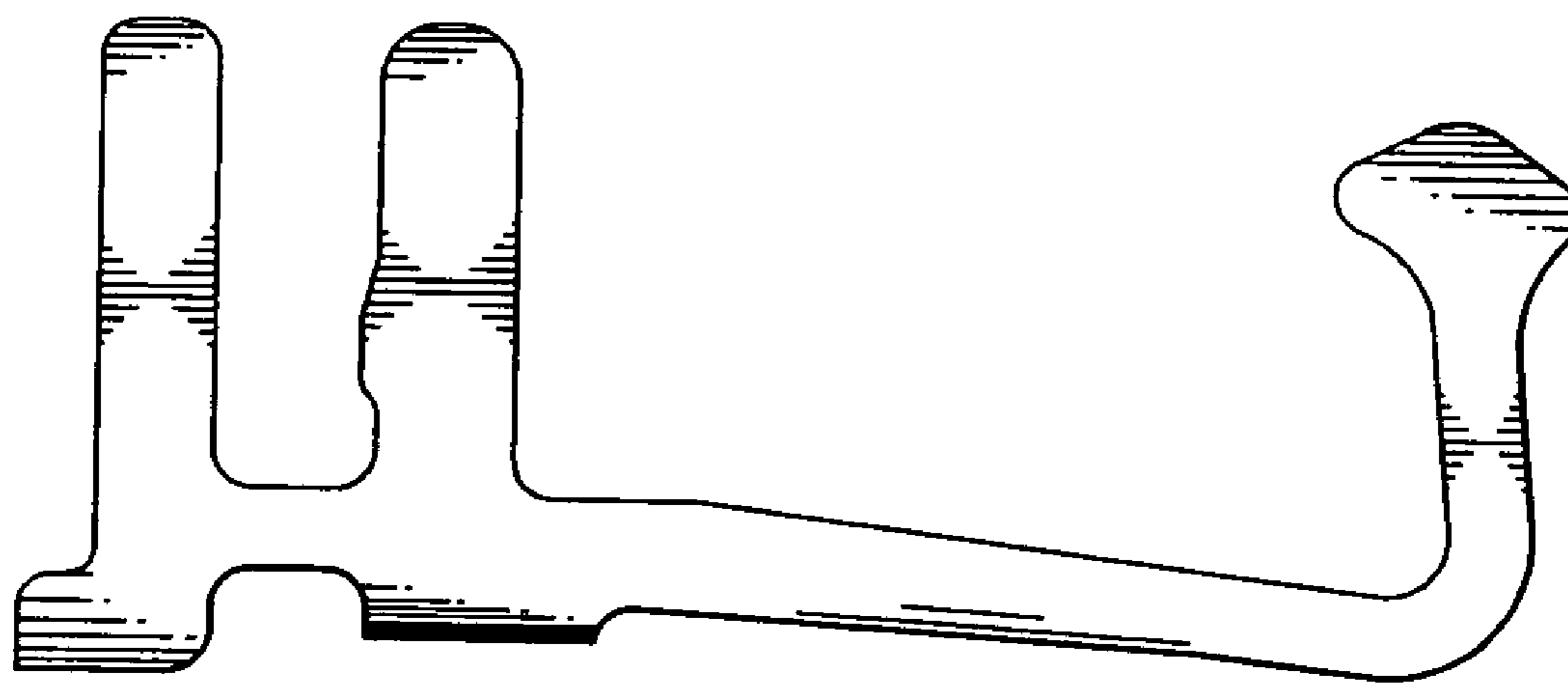


FIG. 2

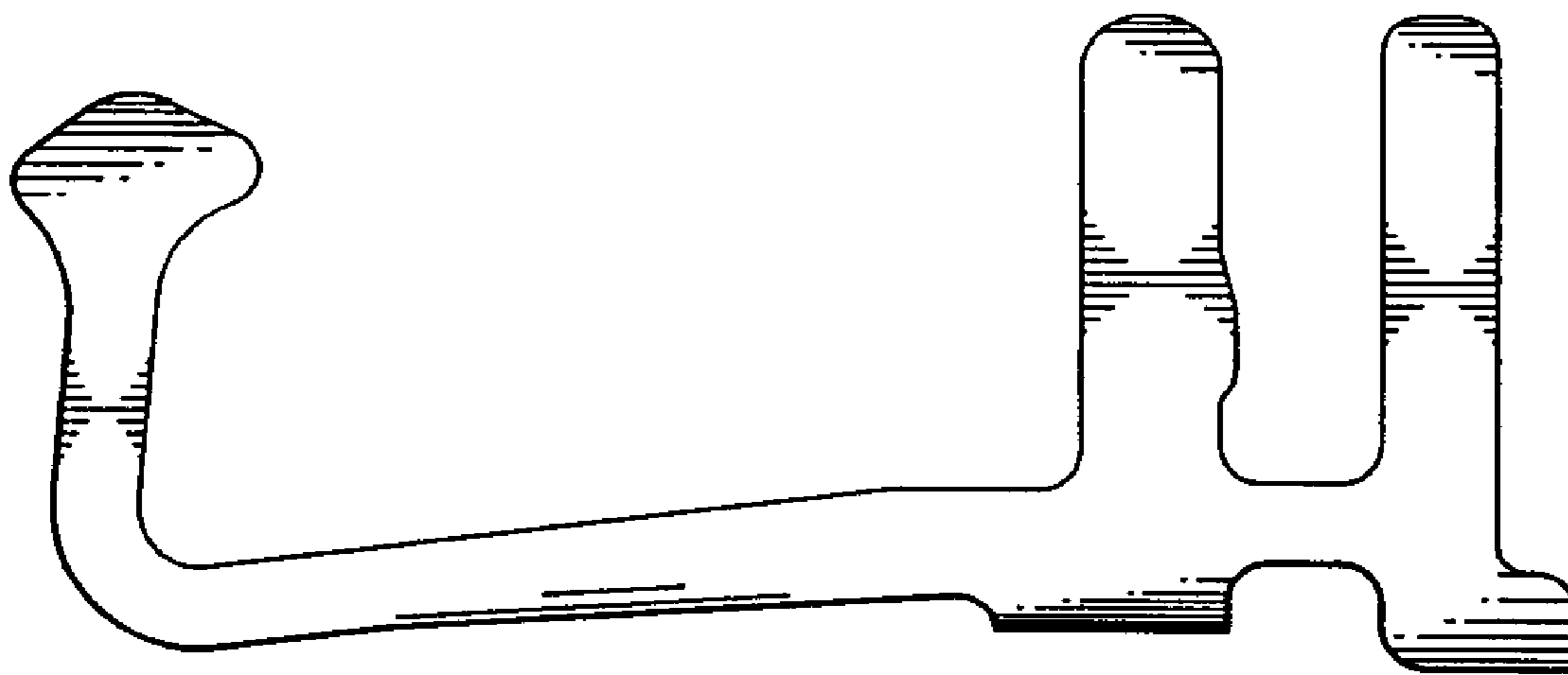


FIG. 3

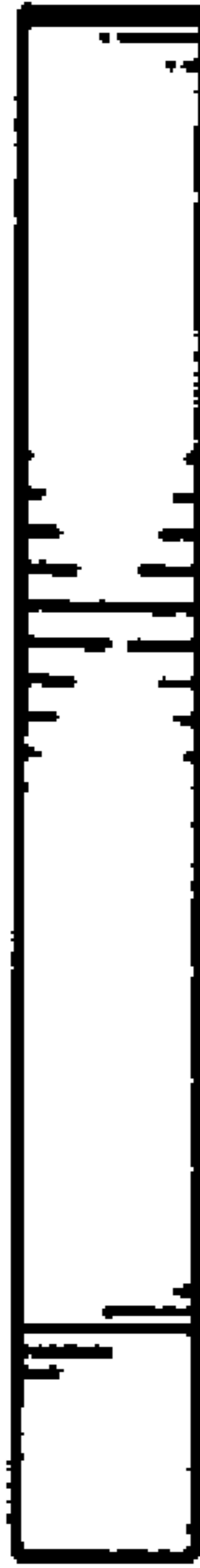


FIG. 4

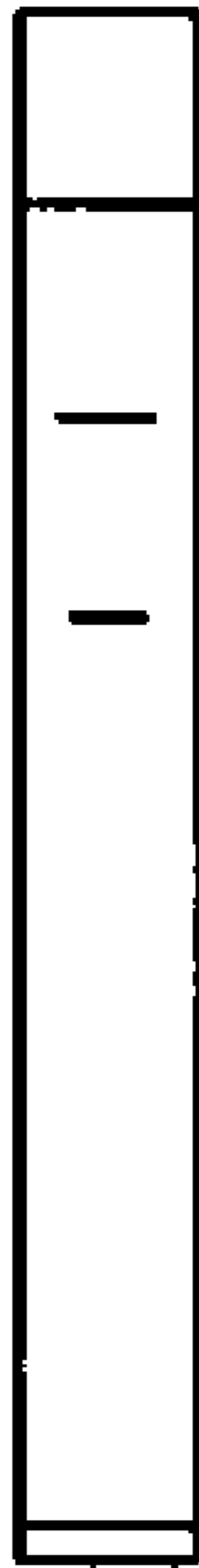


FIG. 5



FIG. 6



FIG. 7