



US00D553083S

(12) **United States Design Patent**
Han et al.

(10) **Patent No.:** **US D553,083 S**

(45) **Date of Patent:** **** Oct. 16, 2007**

(54) **JACK CONNECTOR**

(75) Inventors: **Hong-Qiang Han**, Kunshan (CN);
Zi-Qiang Zhu, Kunshan (CN)

(73) Assignee: **Hon Hai Precision Ind. Co., Ltd.**,
Taipei Hsien (TW)

(**) Term: **14 Years**

(21) Appl. No.: **29/265,885**

(22) Filed: **Sep. 11, 2006**

(30) **Foreign Application Priority Data**

Mar. 11, 2006 (CN) 2006 3 0081447

(51) **LOC (8) Cl.** **13-03**

(52) **U.S. Cl.** **D13/133**

(58) **Field of Classification Search** D13/133,
D13/146-147, 154, 184, 199; 439/278, 607,
439/668-669, 894

See application file for complete search history.

(56) **References Cited**

U.S. PATENT DOCUMENTS

5,797,768 A * 8/1998 Francaviglia 439/567
D431,528 S * 10/2000 Zhu et al. D13/133
D435,015 S * 12/2000 Wang D13/133

D461,771 S * 8/2002 Zhao et al. D13/133
D464,318 S * 10/2002 Togashi D13/133
D494,137 S * 8/2004 Fang D13/133
D534,123 S * 12/2006 Lin D13/133
D534,124 S * 12/2006 Taguchi D13/133
D536,667 S * 2/2007 Chine et al. D13/133

* cited by examiner

Primary Examiner—Daniel Bui

(74) *Attorney, Agent, or Firm*—Wei Te Chung

(57) **CLAIM**

The ornamental design for a jack connector, as shown.

DESCRIPTION

FIG. 1 is a front, top and right side perspective view of a jack connector showing our new design;

FIG. 2 is a front elevational view thereof;

FIG. 3 is a rear elevational view thereof;

FIG. 4 is a left side elevational view thereof;

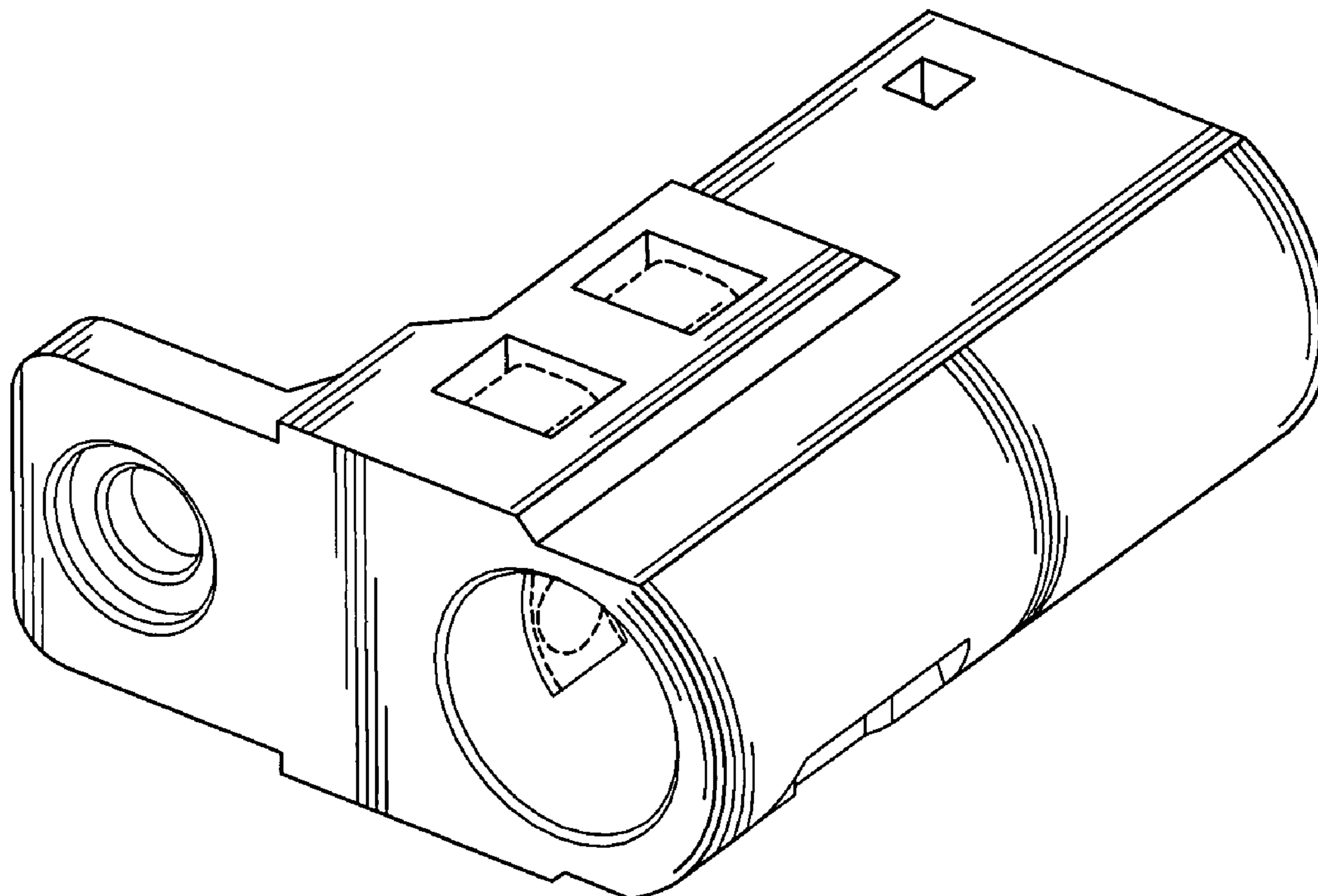
FIG. 5 is a right side elevational view thereof;

FIG. 6 is a top plan view thereof; and,

FIG. 7 is a bottom plan view thereof.

The broken line showing of the environment is for illustrative purposes only and forms no part of the claimed design.

1 Claim, 7 Drawing Sheets



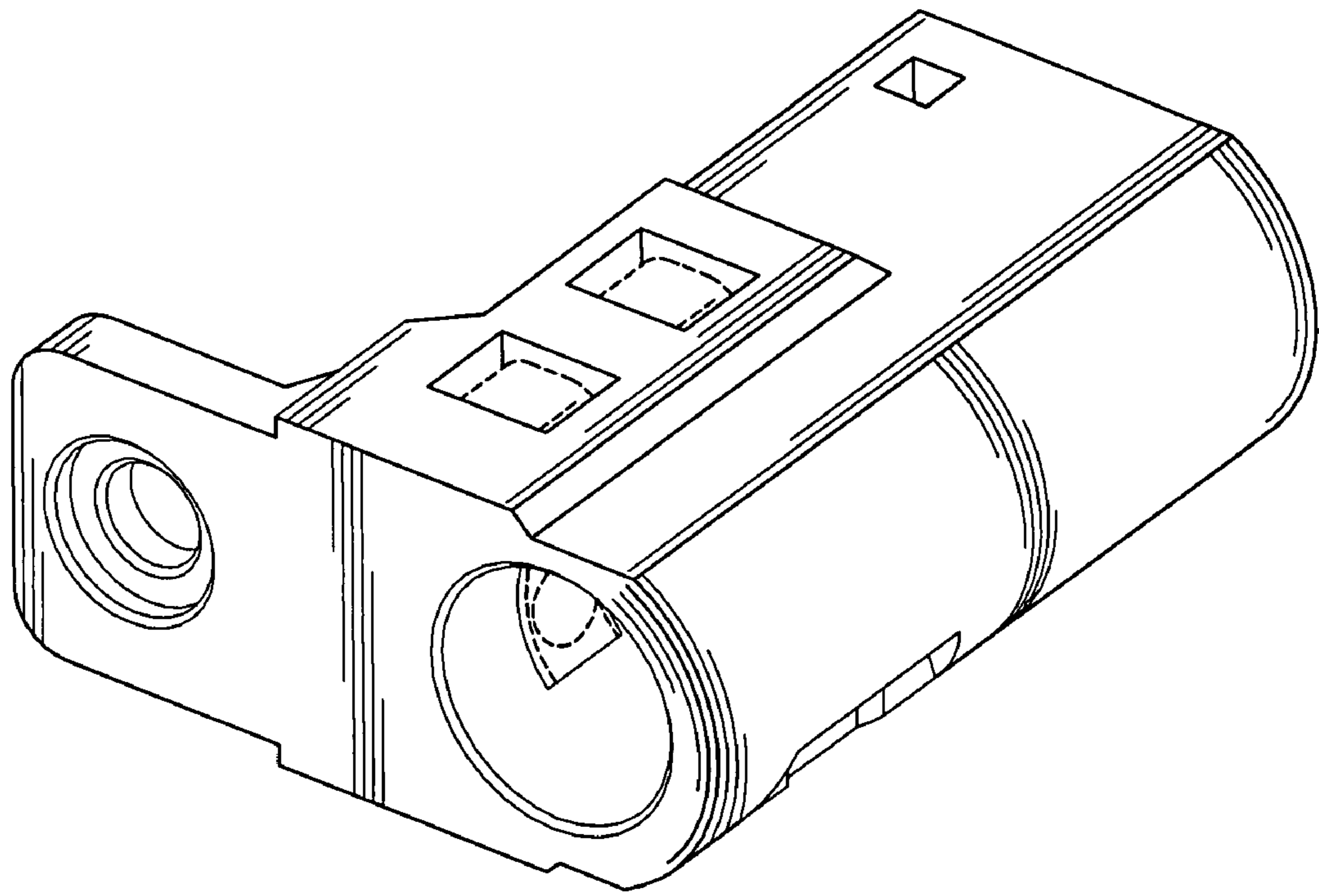


FIG. 1

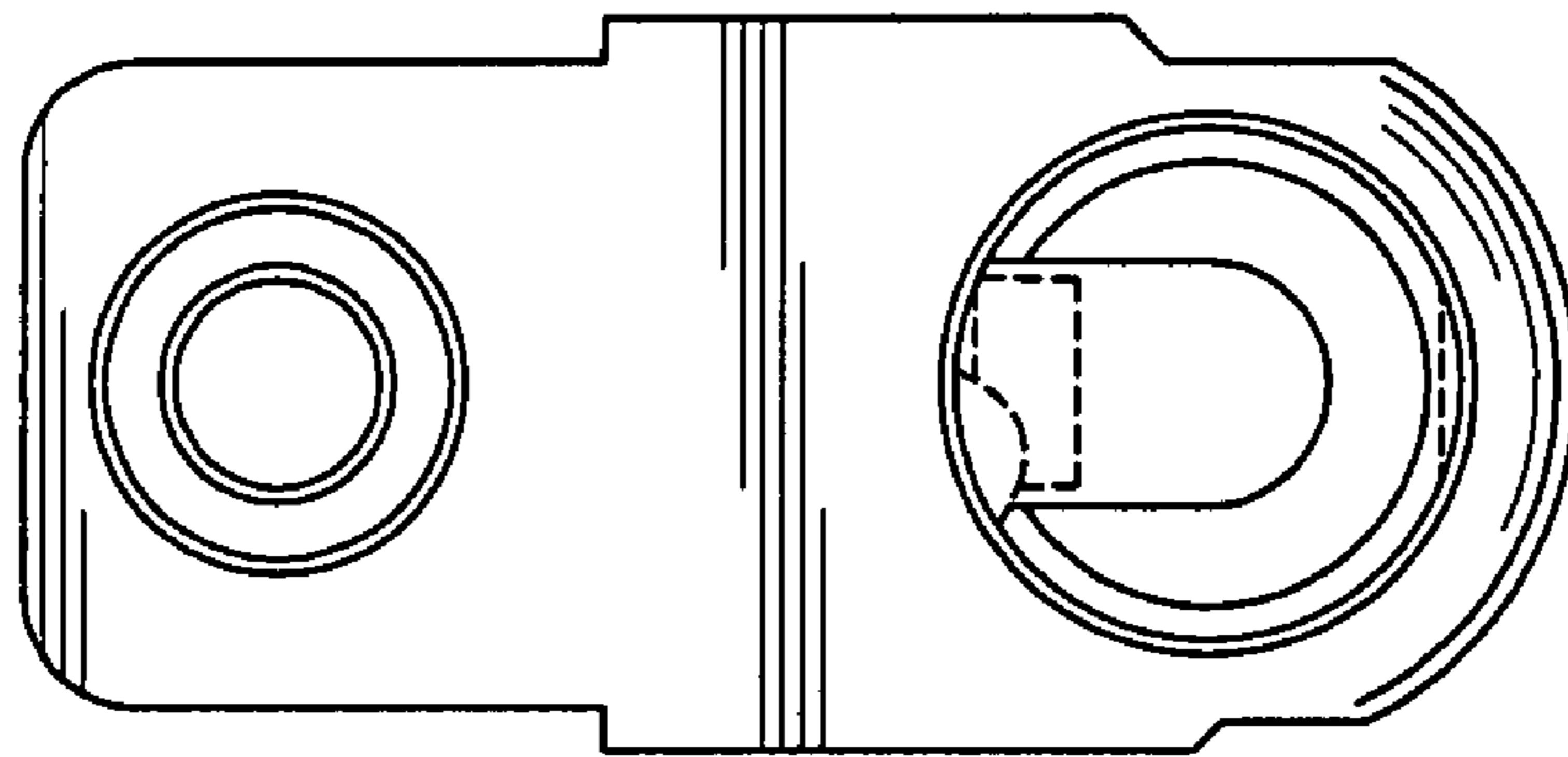


FIG. 2

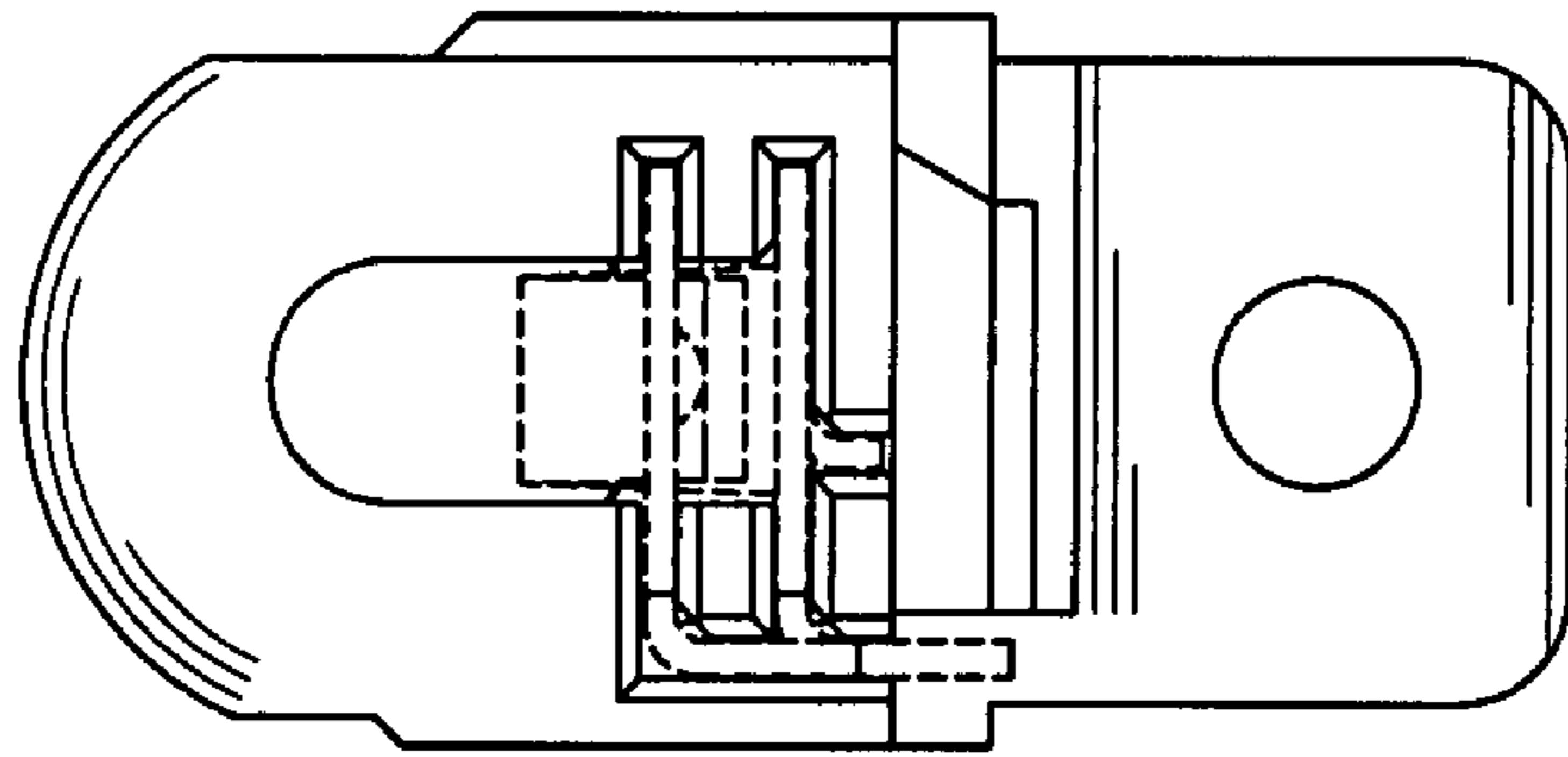


FIG. 3

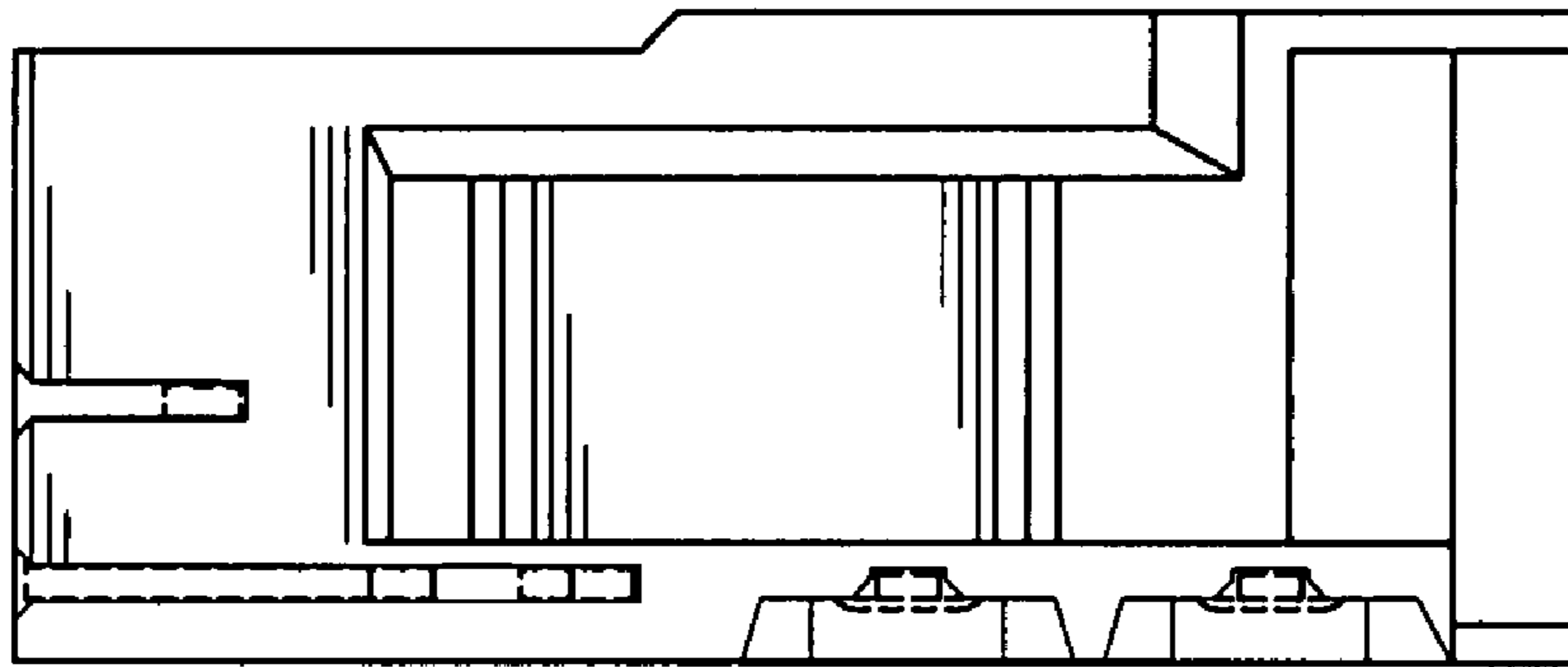


FIG. 4

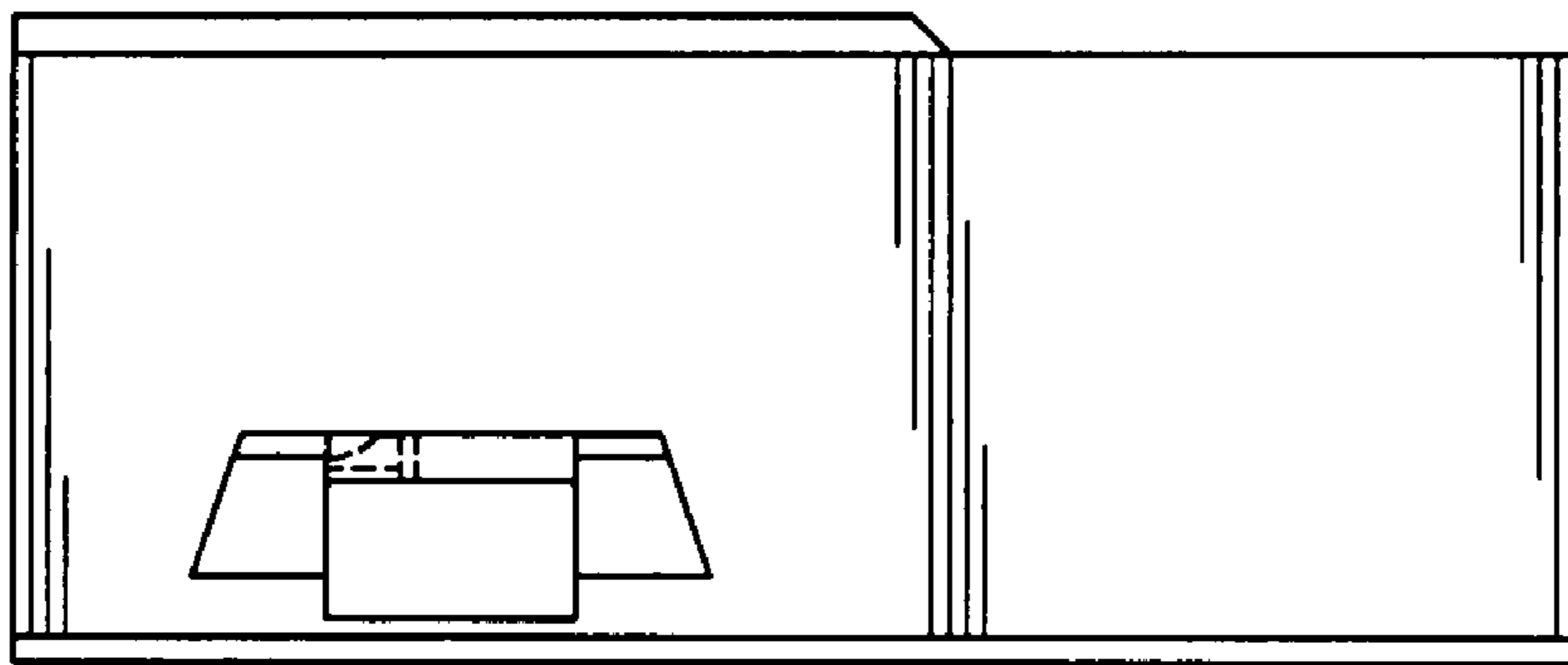


FIG. 5

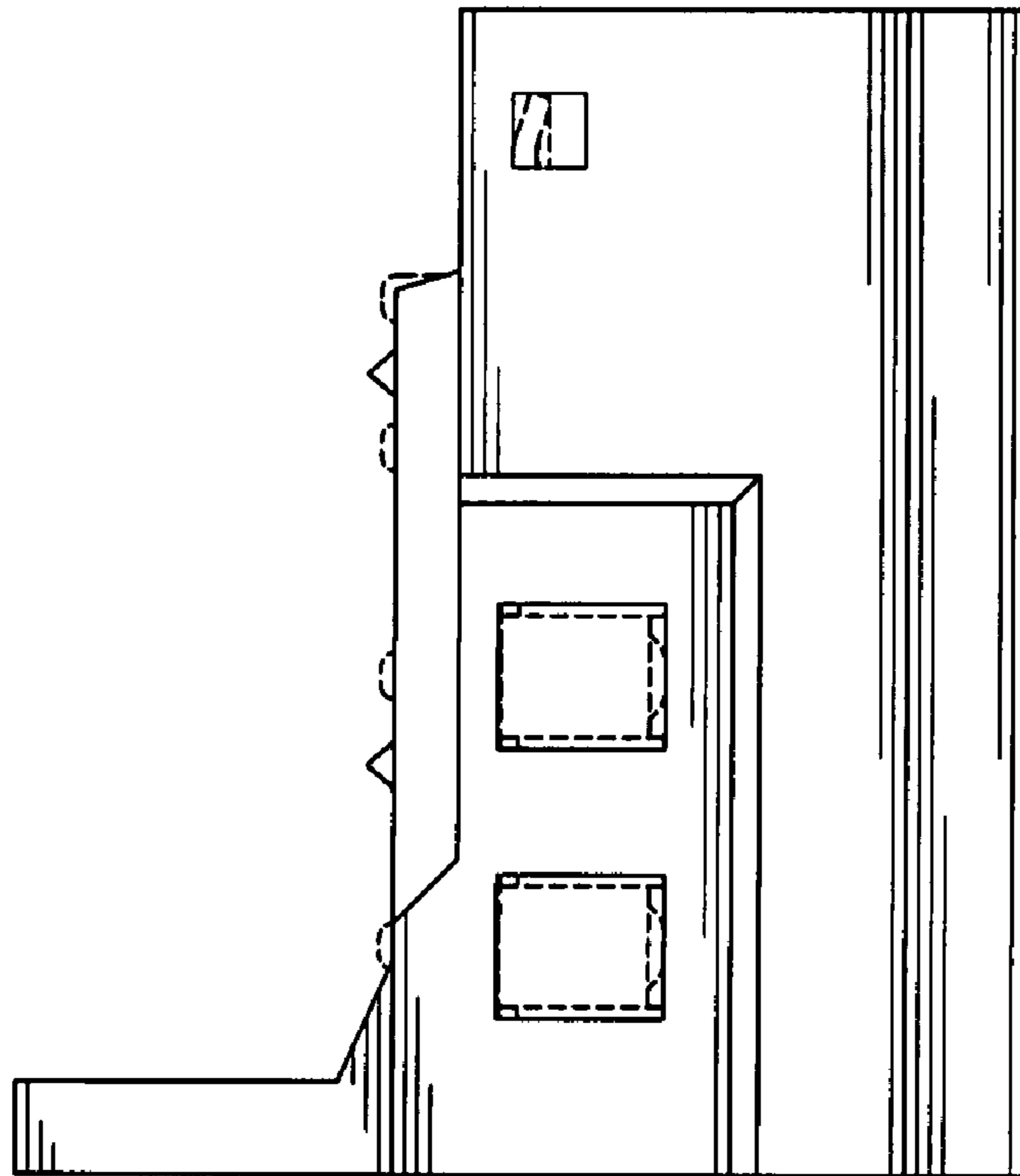


FIG. 6

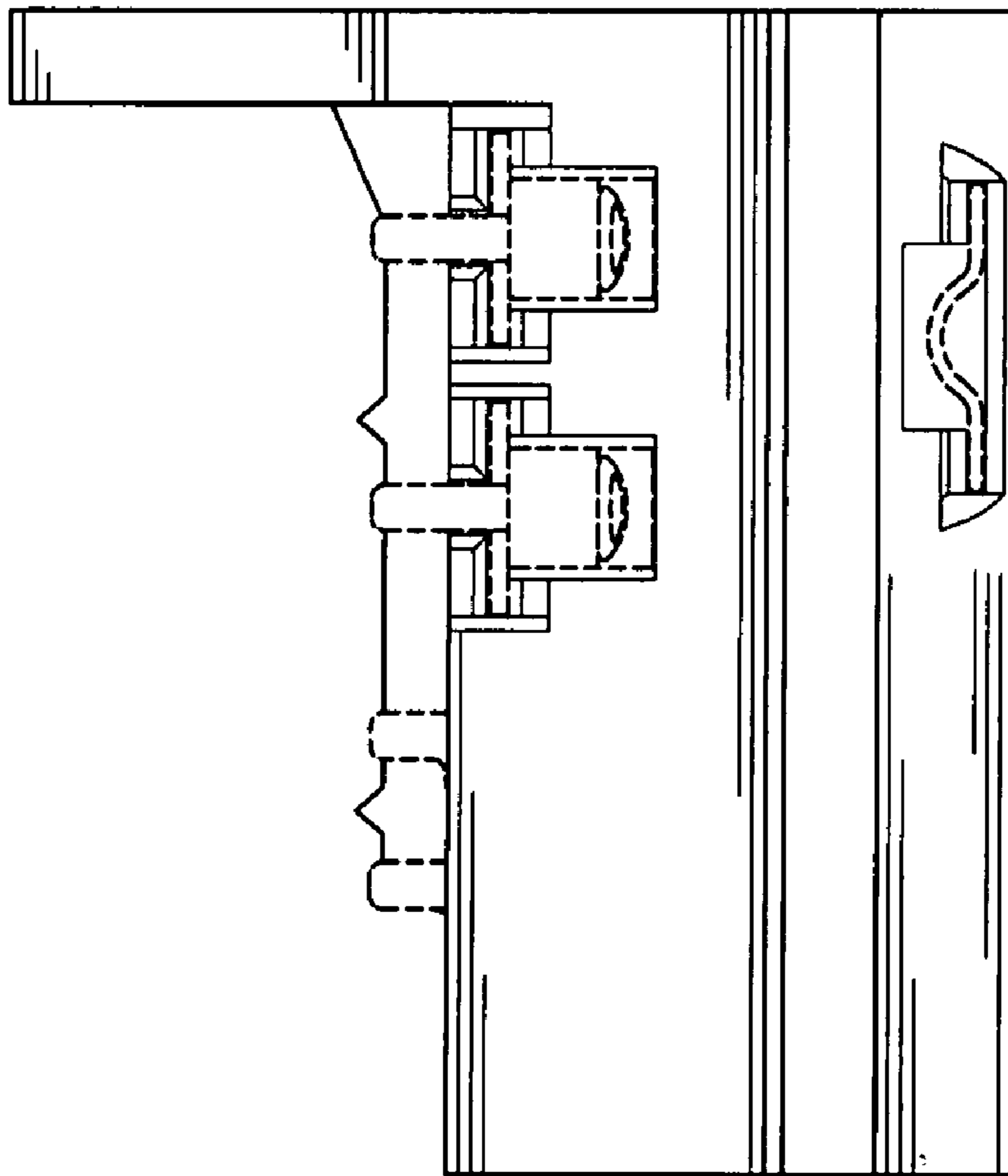


FIG. 7