



US00D553082S

(12) **United States Design Patent**
Peng

(10) **Patent No.:** **US D553,082 S**

(45) **Date of Patent:** **** Oct. 16, 2007**

(54) **CONNECTOR CONTACT**

D453,739 S * 2/2002 Lin D13/148
6,616,485 B2 * 9/2003 Harasawa et al. 439/630
D516,038 S * 2/2006 Liao et al. D13/154

(75) Inventor: **Yung-Chi Peng**, Tu-Cheng (TW)

* cited by examiner

(73) Assignee: **Cheng Uei Precision Industry Co., Ltd.**, Taipei Hsien (TW)

Primary Examiner—Daniel Bui

(**) Term: **14 Years**

(74) *Attorney, Agent, or Firm*—Rosenberg, Klein & Lee

(21) Appl. No.: **29/257,285**

(57) **CLAIM**

(22) Filed: **Apr. 3, 2006**

The ornamental design for a connector contact, as shown and described.

(51) **LOC (8) Cl.** **13-03**

(52) **U.S. Cl.** **D13/133; D13/154**

(58) **Field of Classification Search** D13/133,
D13/154, 184, 199; 439/395–401, 404, 630,
439/834, 839, 845, 849–850, 861–862, 872,
439/877, 884–885, 888–891

See application file for complete search history.

(56) **References Cited**

U.S. PATENT DOCUMENTS

4,113,338 A * 9/1978 Spaulding 439/406
5,782,646 A * 7/1998 Broadfield et al. 439/346
D434,375 S * 11/2000 Kawamoto D13/133

DESCRIPTION

FIG. 1 is a perspective view of a connector contact showing my new design;

FIG. 2 is a front elevational view thereof;

FIG. 3 is a rear elevational view thereof;

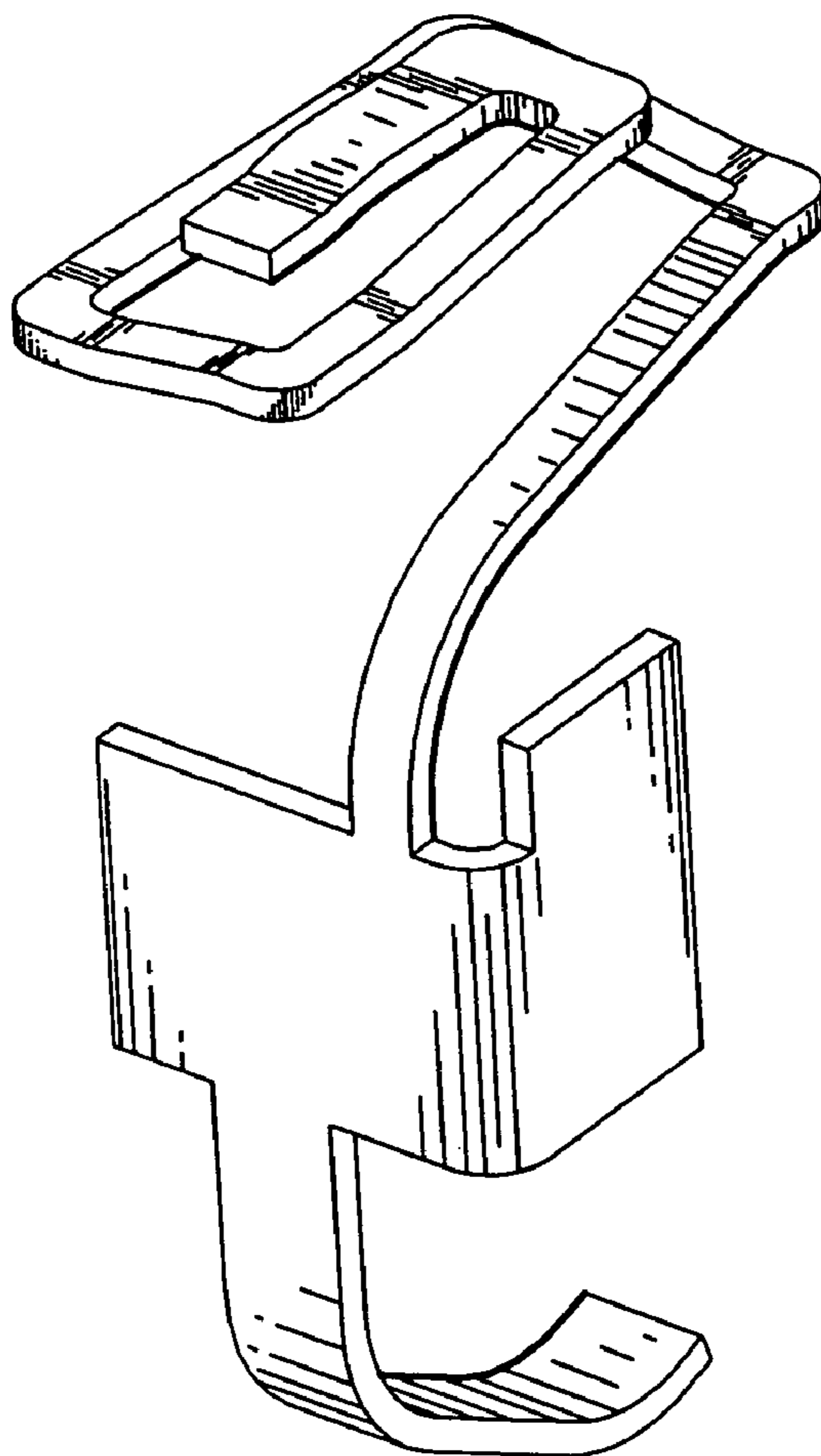
FIG. 4 is a left side elevational view thereof;

FIG. 5 is a right side elevational view thereof;

FIG. 6 is a top plan view thereof; and,

FIG. 7 is a bottom plan view thereof.

1 Claim, 7 Drawing Sheets



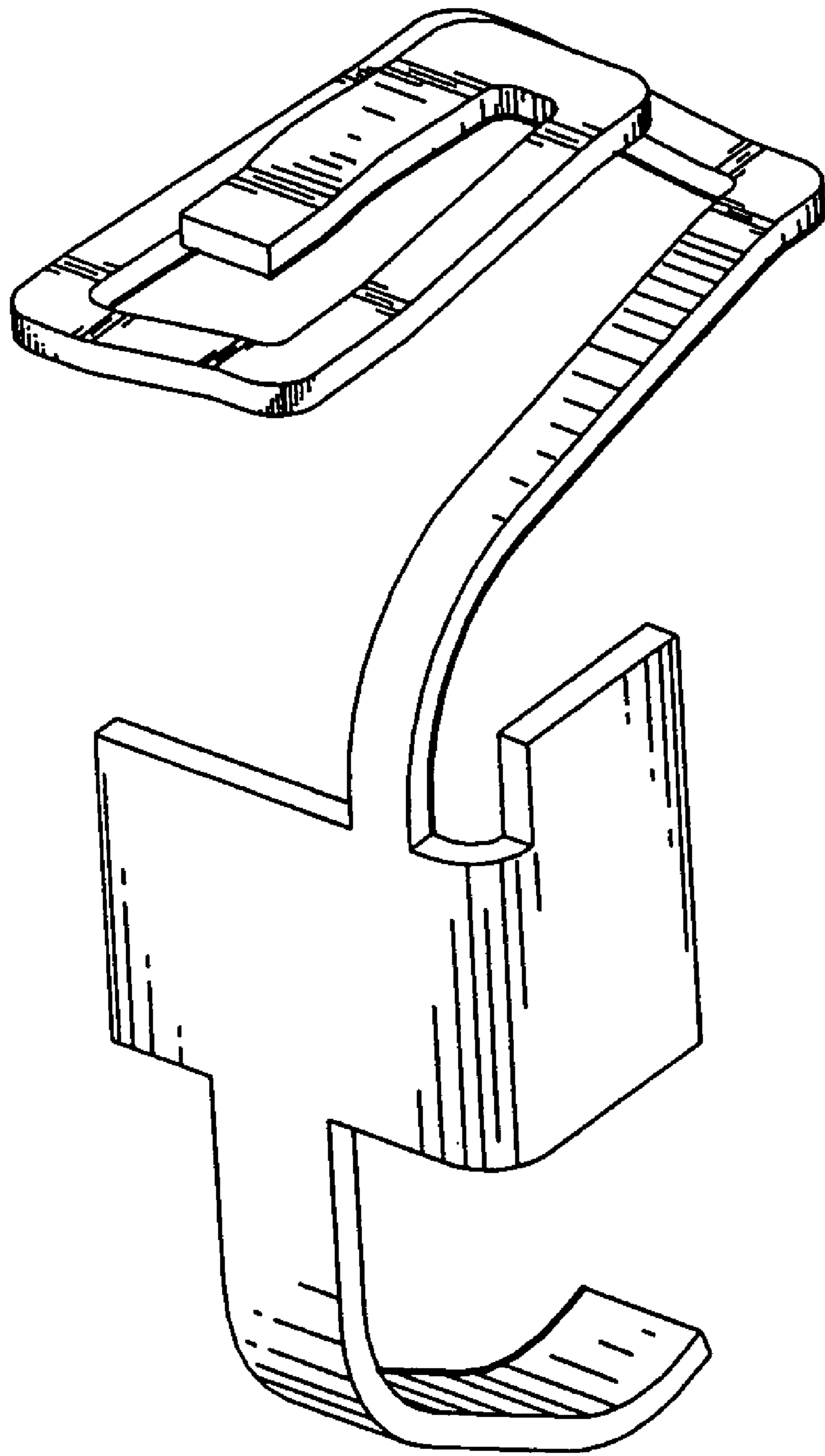


FIG. 1

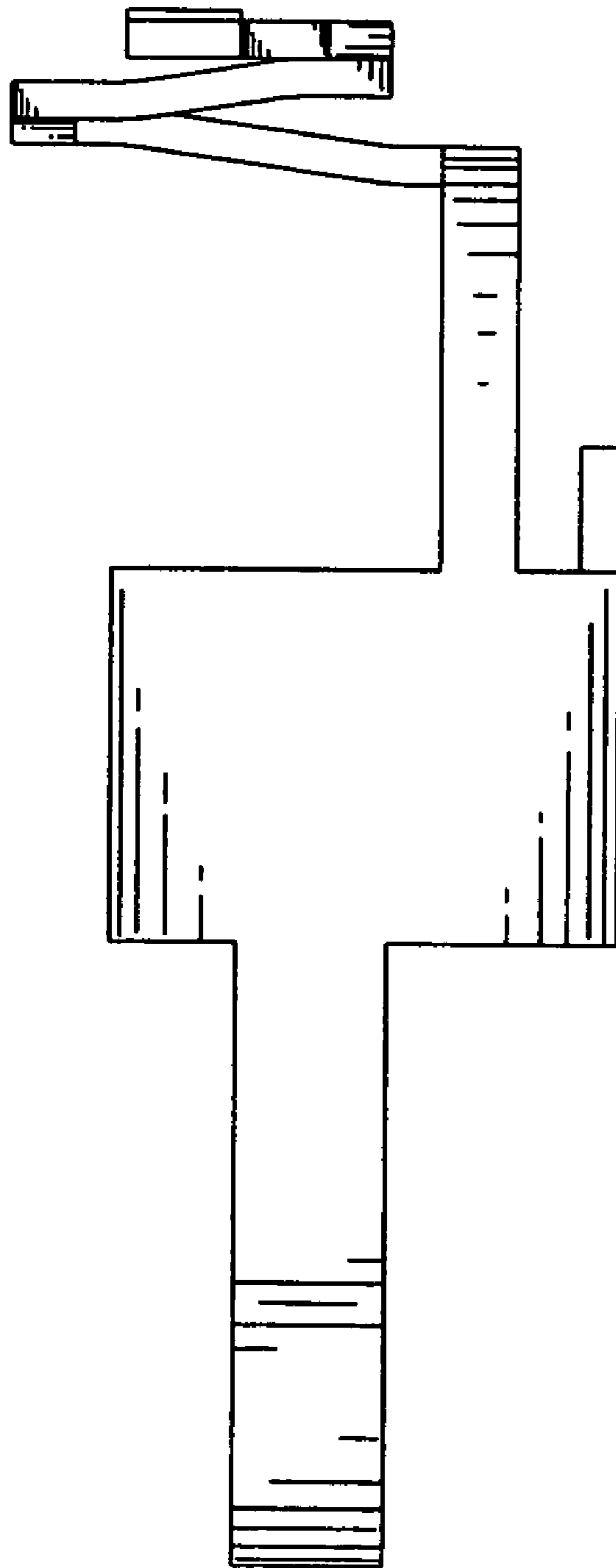


FIG. 2

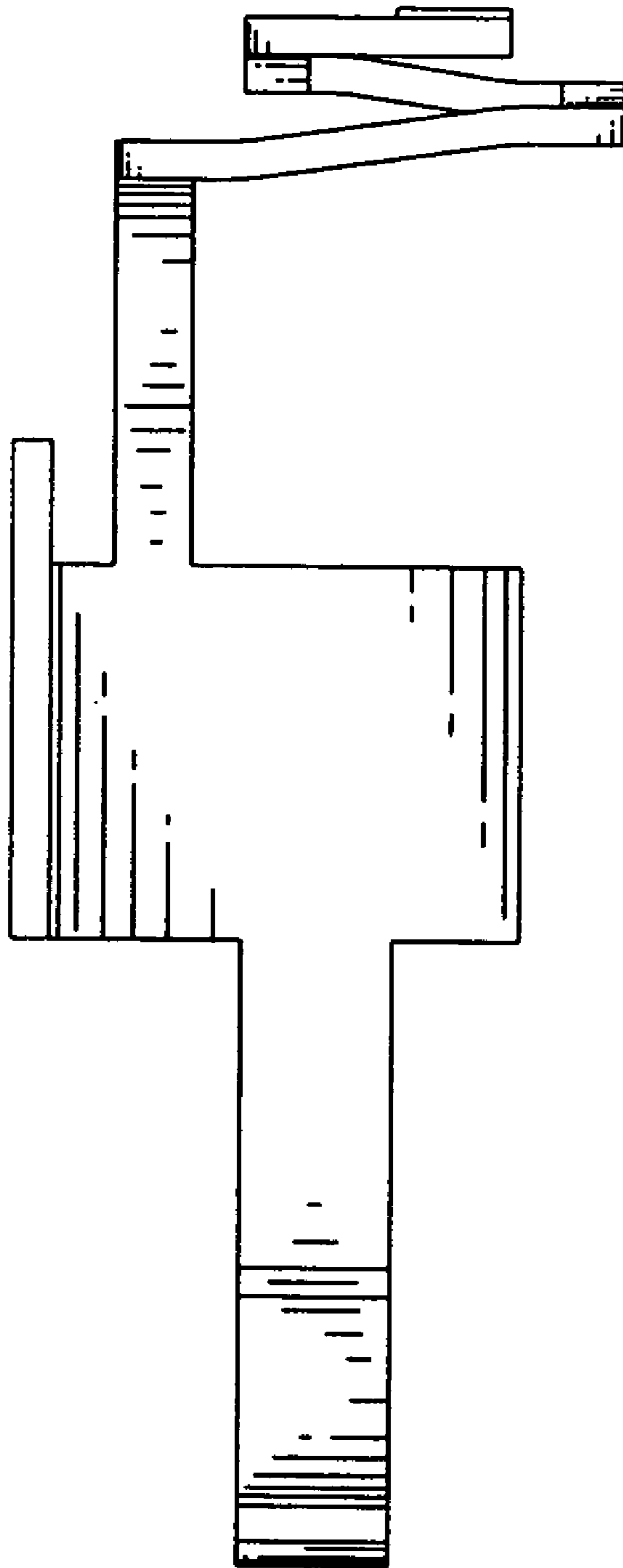


FIG. 3

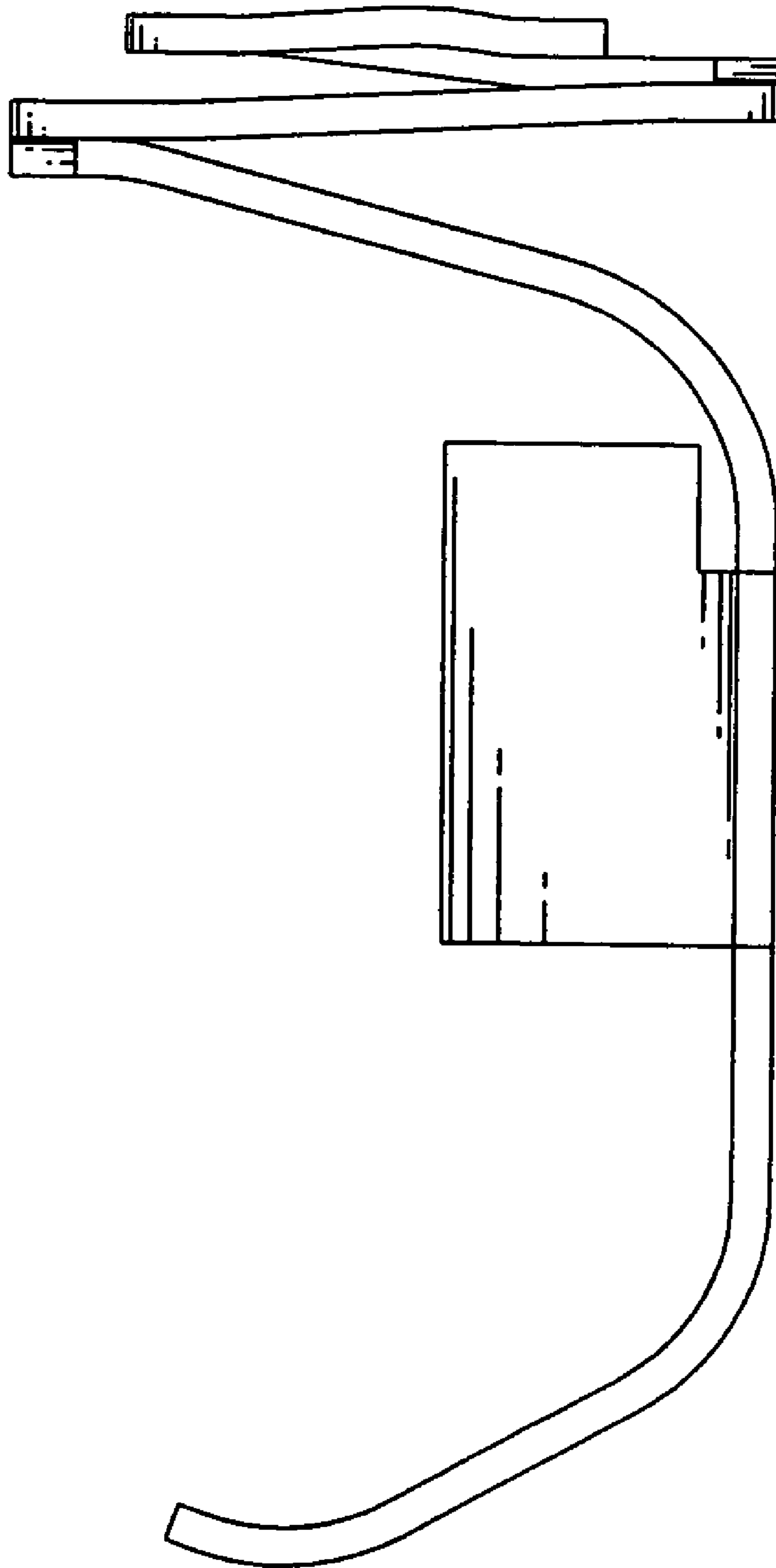


FIG. 4

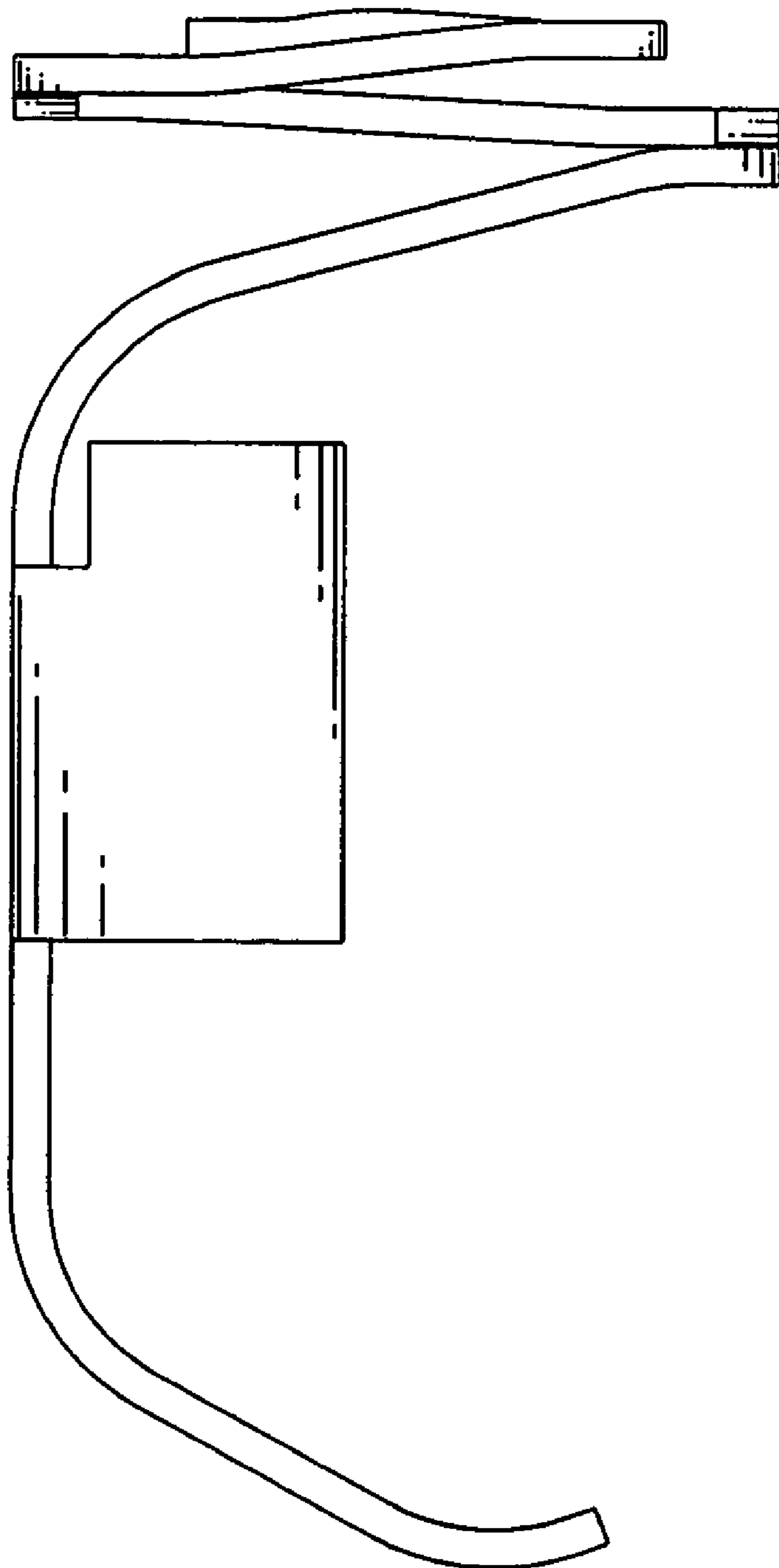


FIG. 5

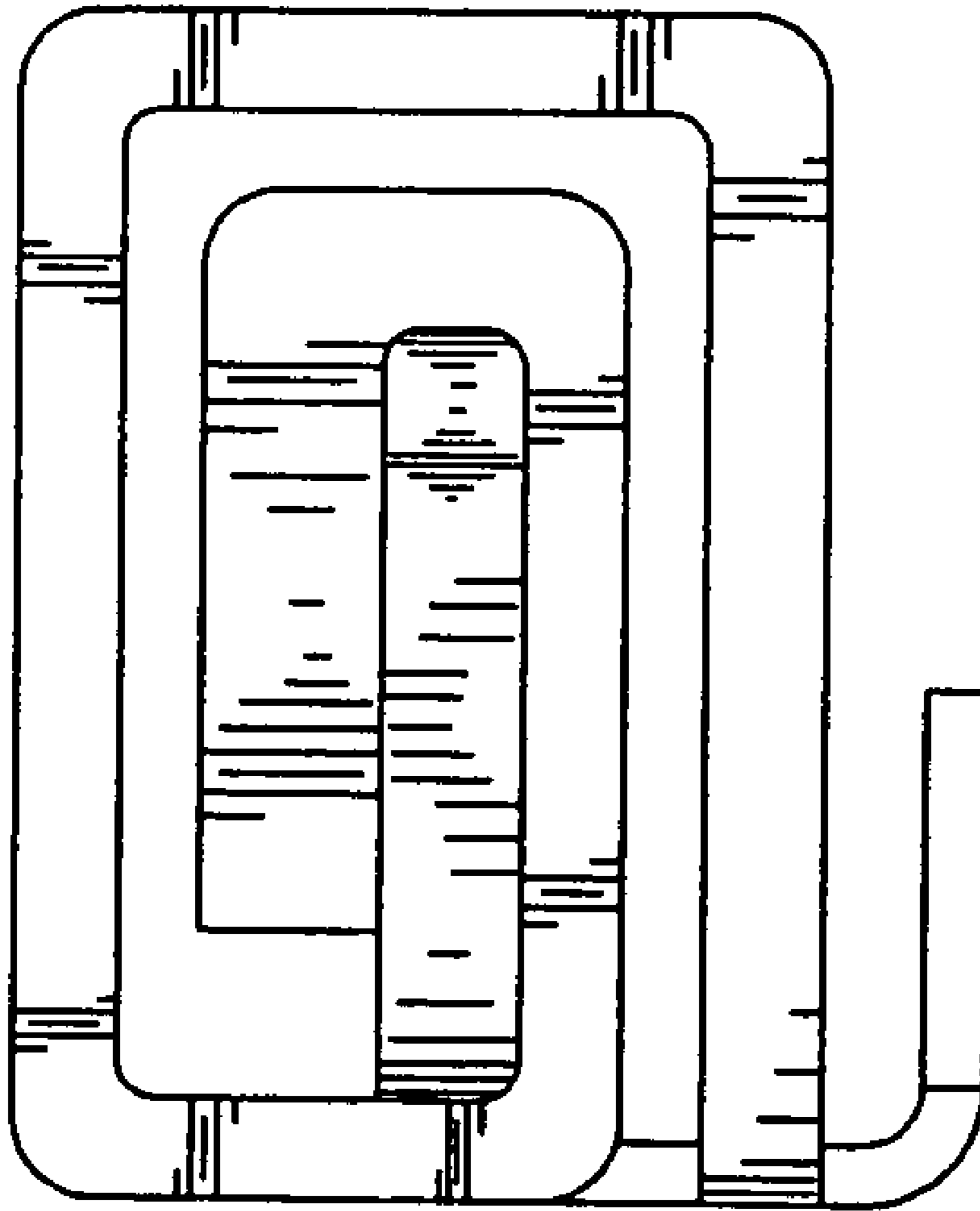


FIG. 6

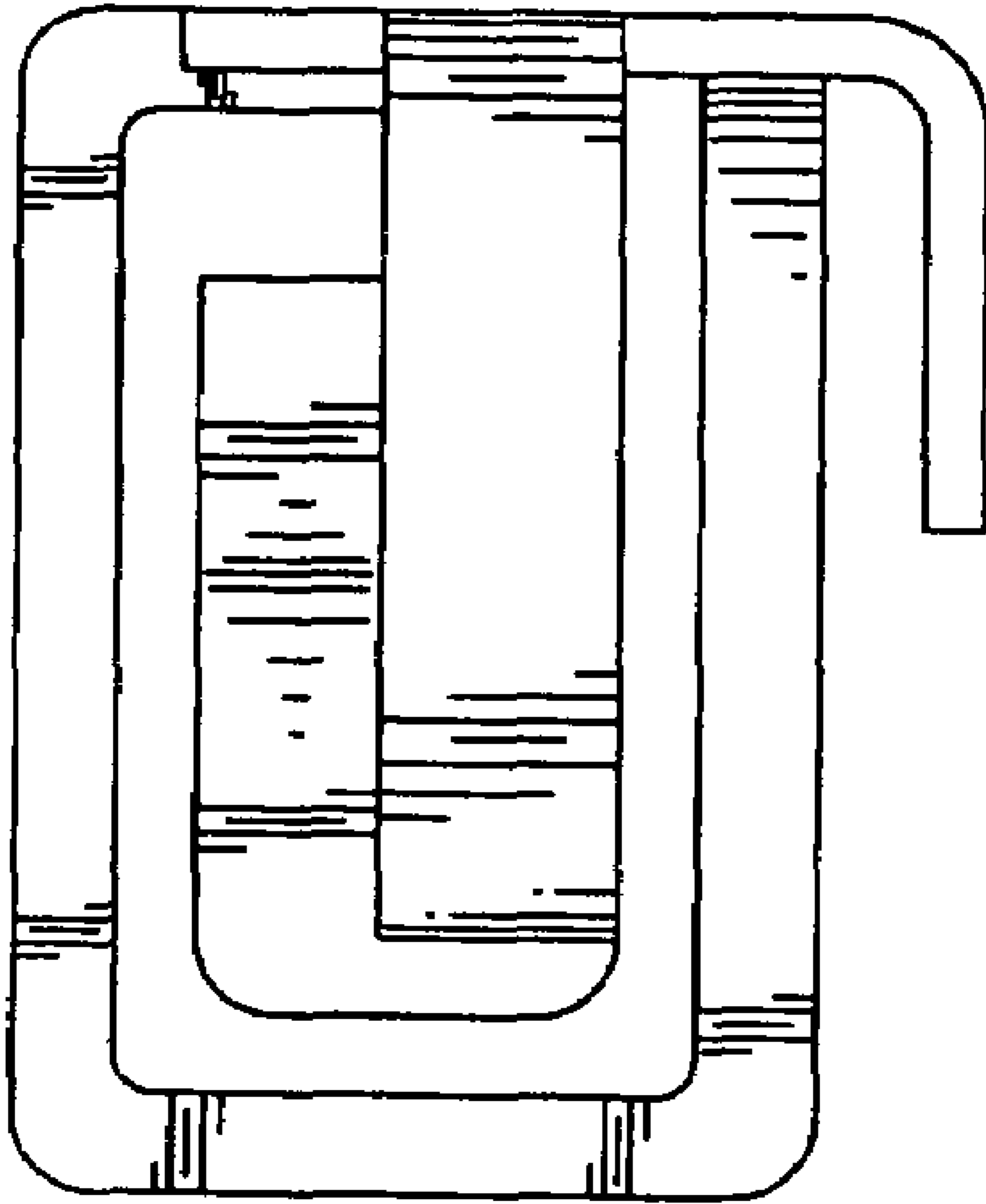


FIG. 7