



US00D553080S

(12) **United States Design Patent**  
**Sakamaki et al.**

(10) **Patent No.:** **US D553,080 S**

(45) **Date of Patent:** **\*\* Oct. 16, 2007**

(54) **ELECTRICAL CONTACT**

(75) Inventors: **Kazushige Sakamaki**, Tokyo (JP); **Seiji Shishikura**, Chiba (JP); **Masato Minakata**, Aichi (JP); **Hiroshi Kobayashi**, Aichi (JP); **Atsushi Nishida**, Aichi (JP)

(73) Assignees: **Toyota Jidosha Kabushiki Kaisha**, Aichi-ken (JP); **Tyco Electronics AMP K.K.**, Kanagawa-ken (JP)

(\*\*) Term: **14 Years**

(21) Appl. No.: **29/221,043**

(22) Filed: **Jan. 10, 2005**

(30) **Foreign Application Priority Data**

Jul. 12, 2004 (JP) ..... 2004-020997

(51) **LOC (8) Cl.** ..... **13-03**

(52) **U.S. Cl.** ..... **D13/133**

(58) **Field of Classification Search** ..... D13/133,  
D13/149, 154, 184, 199; 439/732, 844, 851-852,  
439/865-867, 872, 877, 884

See application file for complete search history.

(56) **References Cited**

**U.S. PATENT DOCUMENTS**

D332,773 S \* 1/1993 Sato et al. .... D13/149  
D454,545 S \* 3/2002 Hayashi et al. .... D13/154  
D464,323 S \* 10/2002 Harasawa et al. .... D13/154

D475,022 S \* 5/2003 Kihira et al. .... D13/154  
2005/0085128 A1 \* 4/2005 Chai et al. .... 439/607  
2005/0287875 A1 \* 12/2005 Kojima ..... 439/750

\* cited by examiner

*Primary Examiner*—Daniel Bui  
(74) *Attorney, Agent, or Firm*—Barley Snyder LLC

(57) **CLAIM**

The ornamental design for an electrical contact, as shown and described.

**DESCRIPTION**

FIG. 1 is a front elevational view of an electrical contact showing our new design;

FIG. 2 is a rear elevational view thereof;

FIG. 3 is a top plan view thereof;

FIG. 4 is a bottom plan view thereof;

FIG. 5 is a left side elevational view thereof;

FIG. 6 is a right side elevational view thereof;

FIG. 7 is a sectional view thereof taken along line A—A of FIG. 3;

FIG. 8 is an enlarged sectional view thereof taken along line B—B of FIG. 6;

FIG. 9 perspective view from an upper left side thereof; and,

FIG. 10 is a perspective view from an upper right side thereof.

**1 Claim, 5 Drawing Sheets**

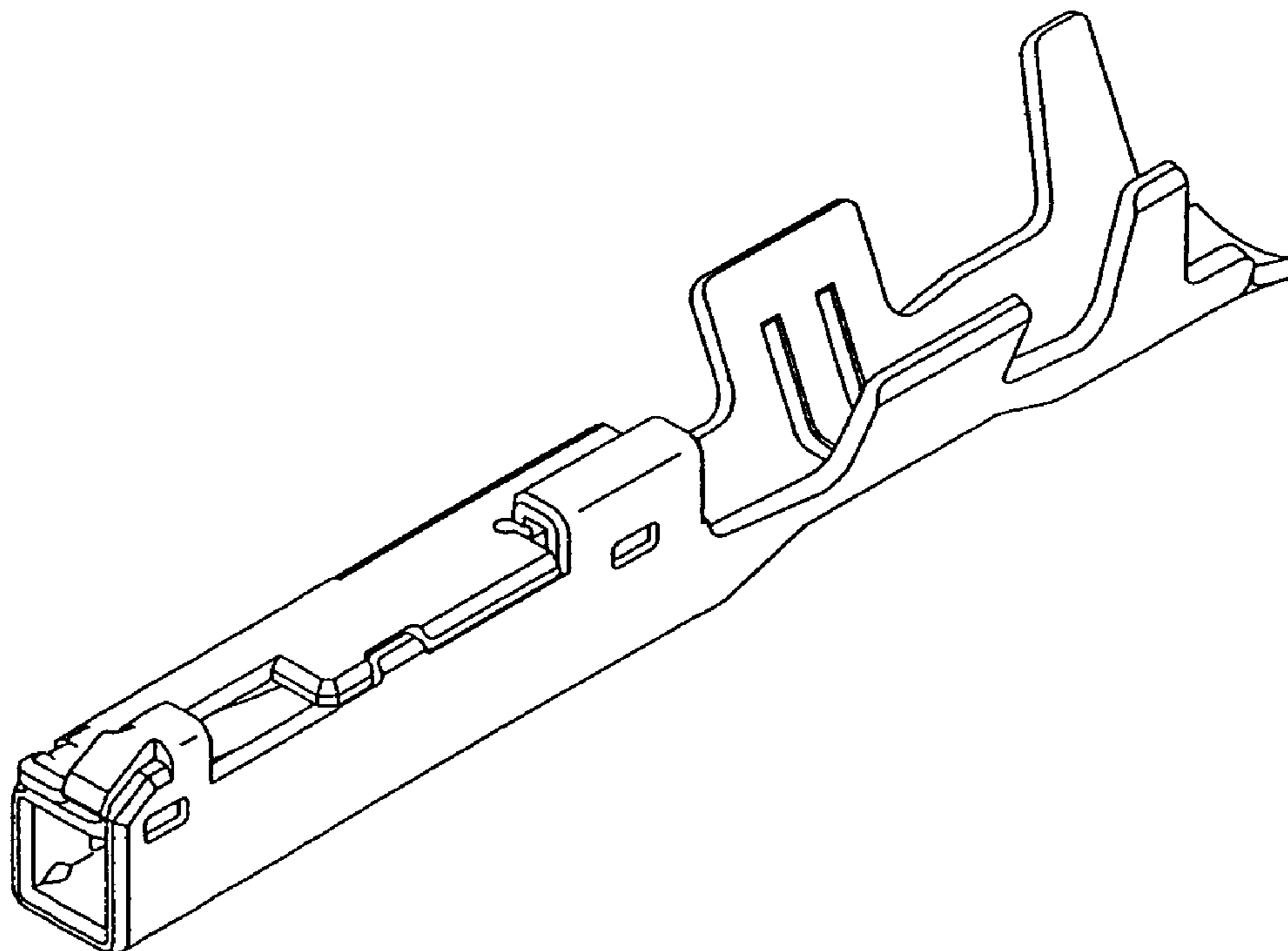


FIG. 1

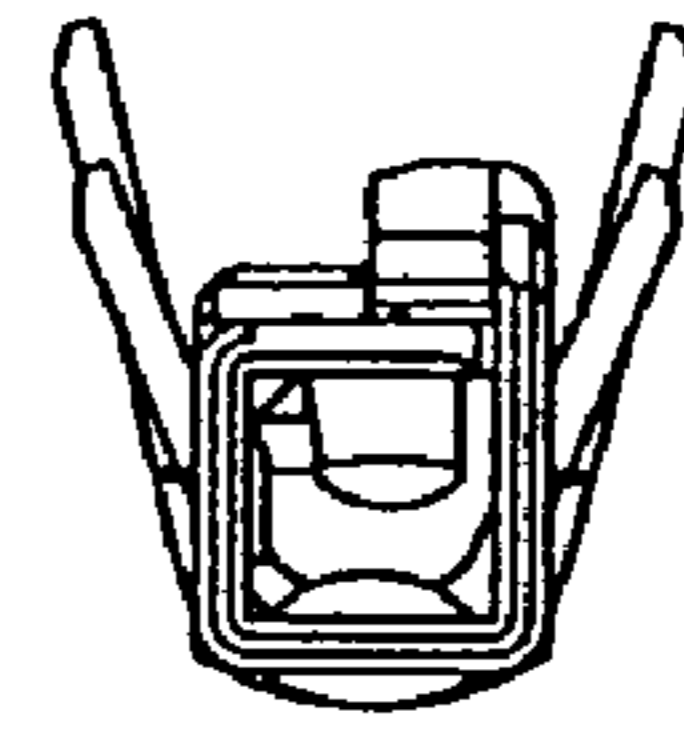


FIG. 2

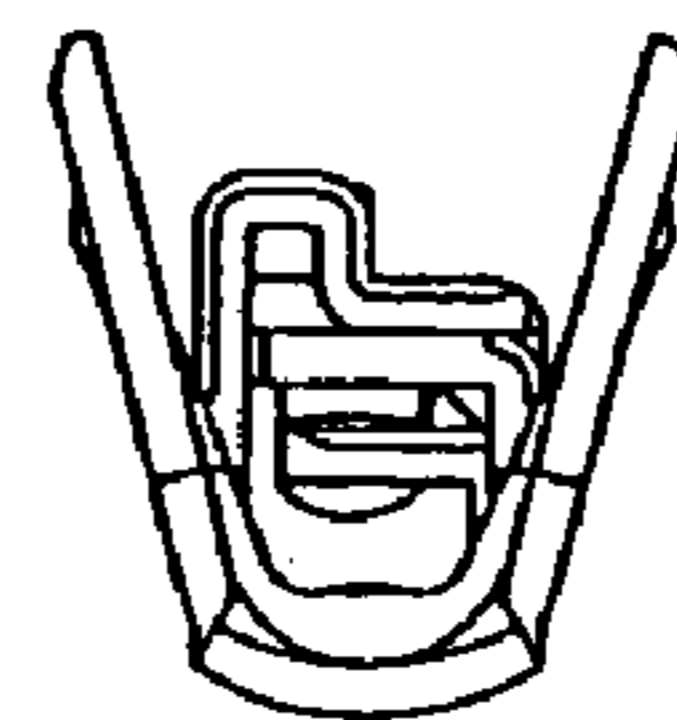


FIG. 3

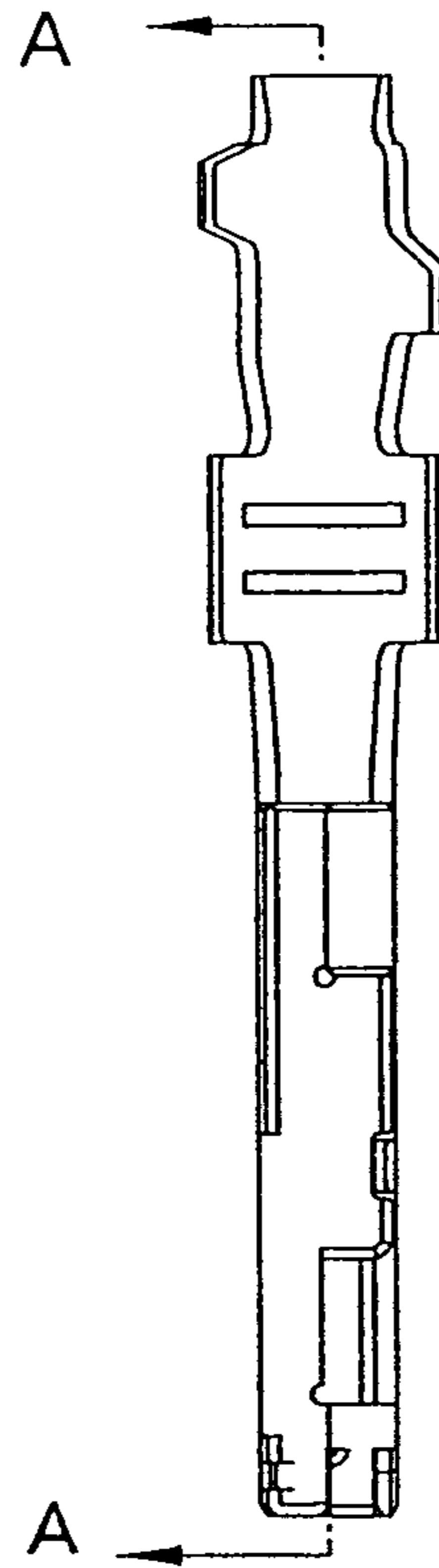


FIG. 4

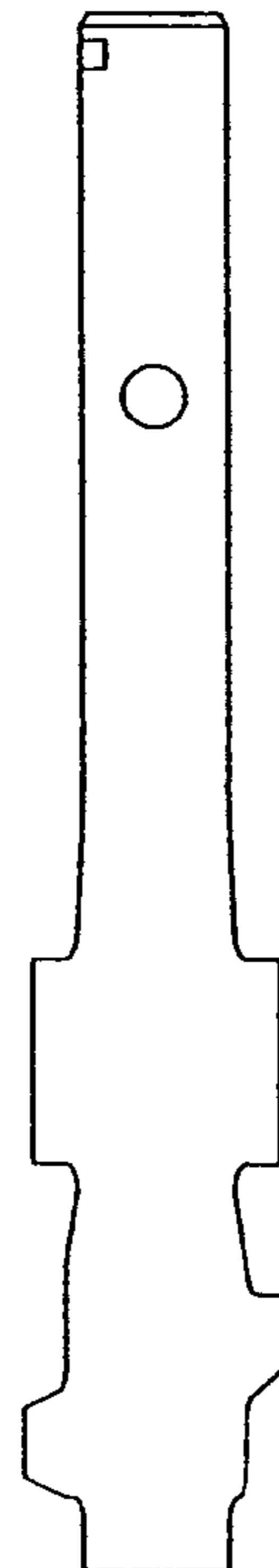


FIG. 5

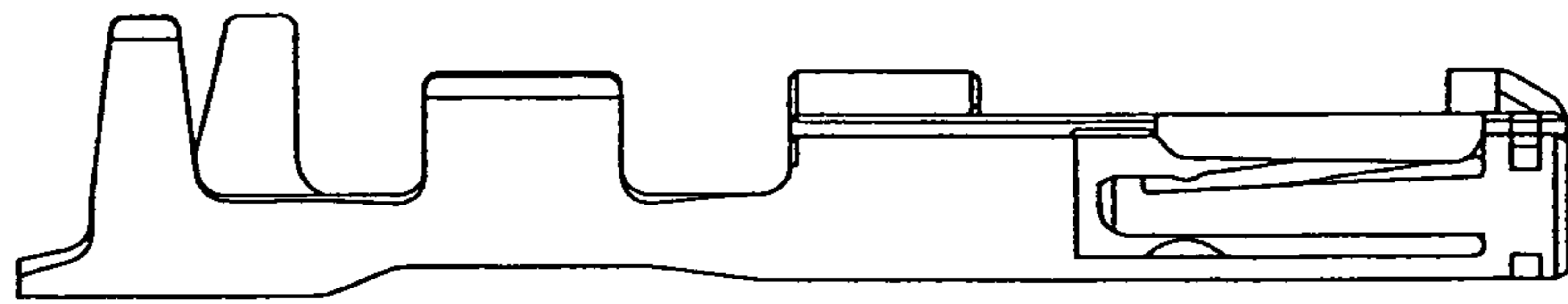


FIG. 6

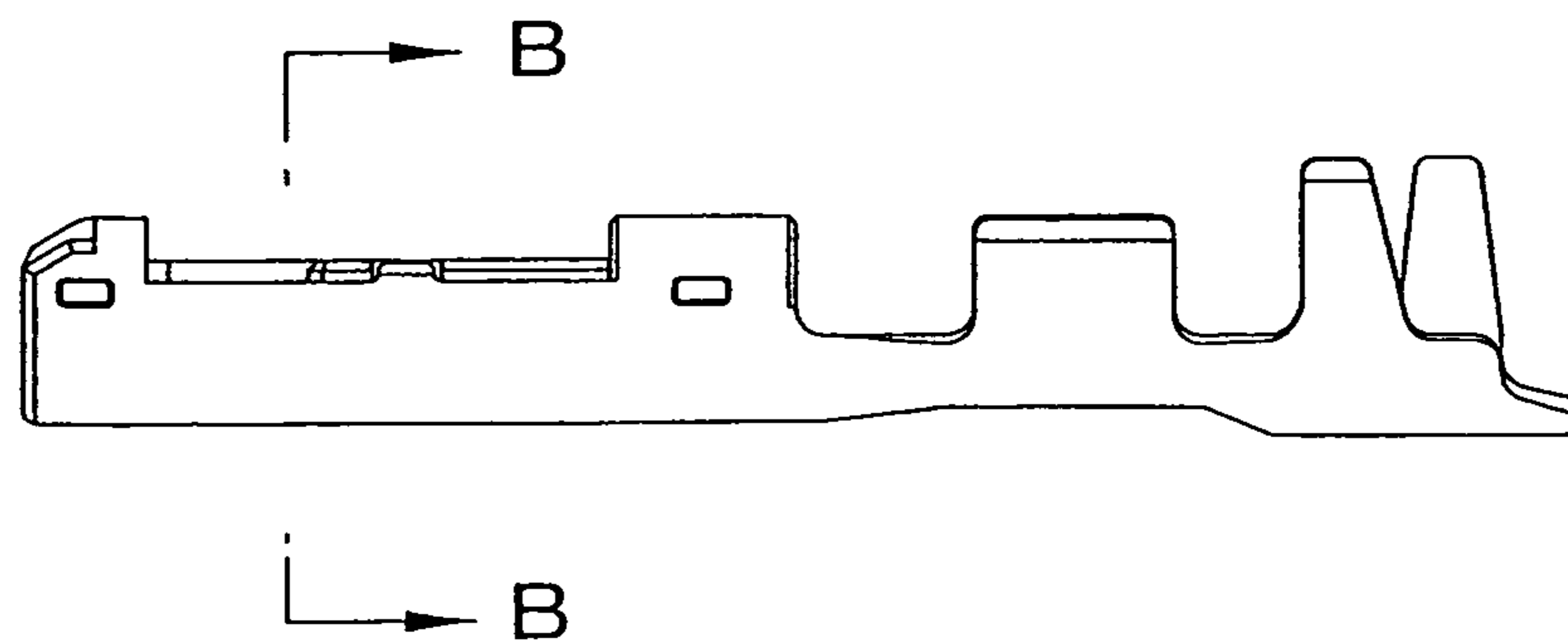


FIG. 7

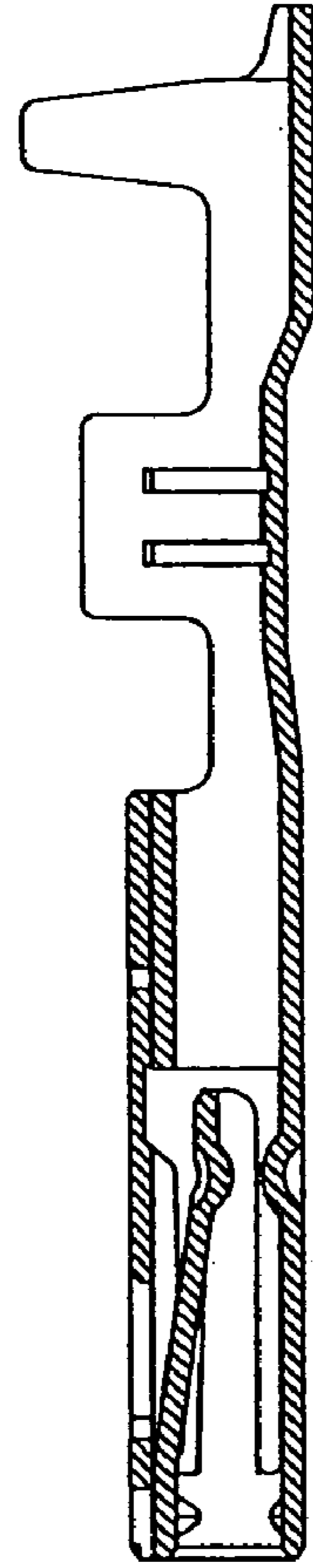


FIG. 8

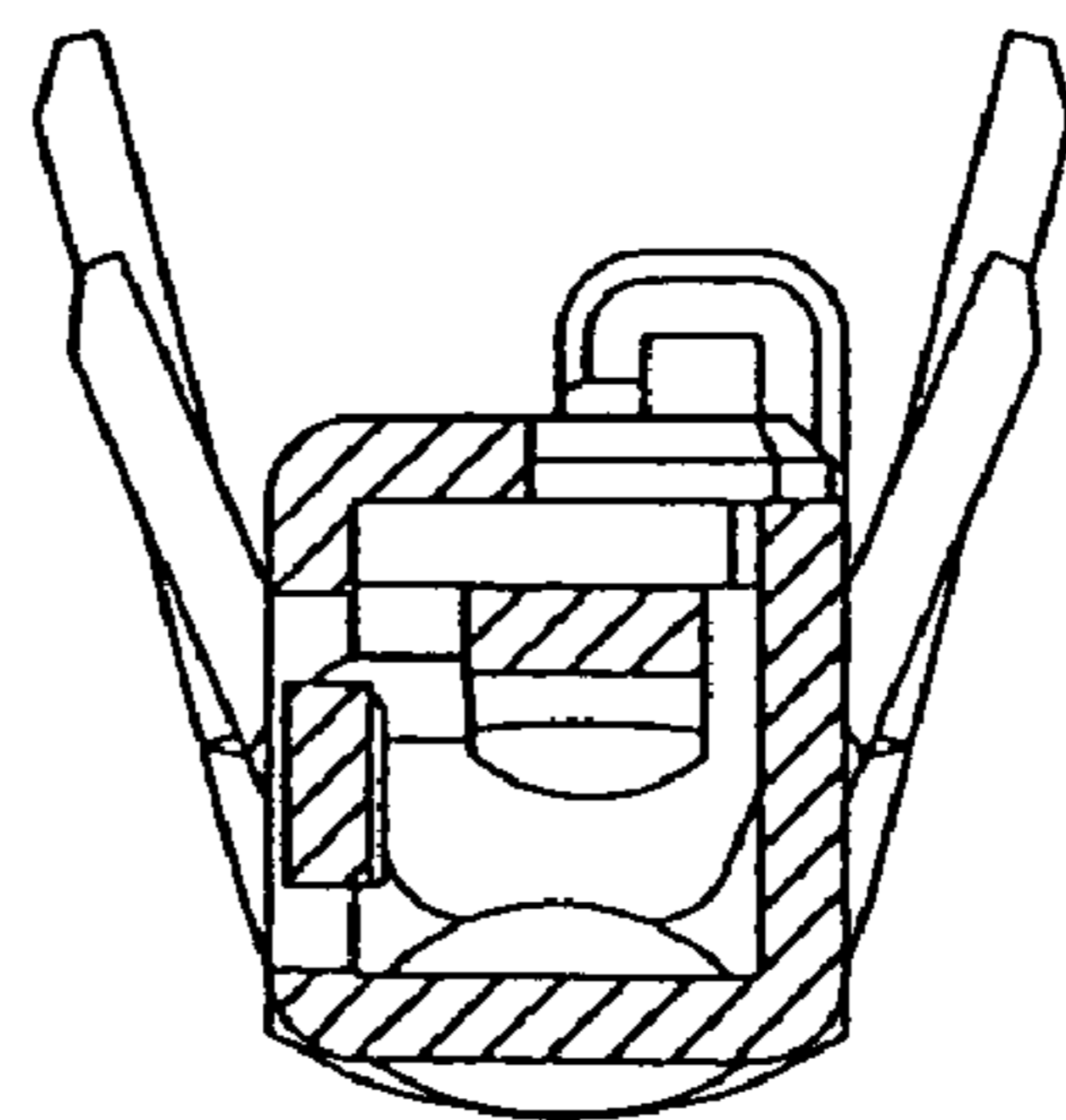


FIG. 9

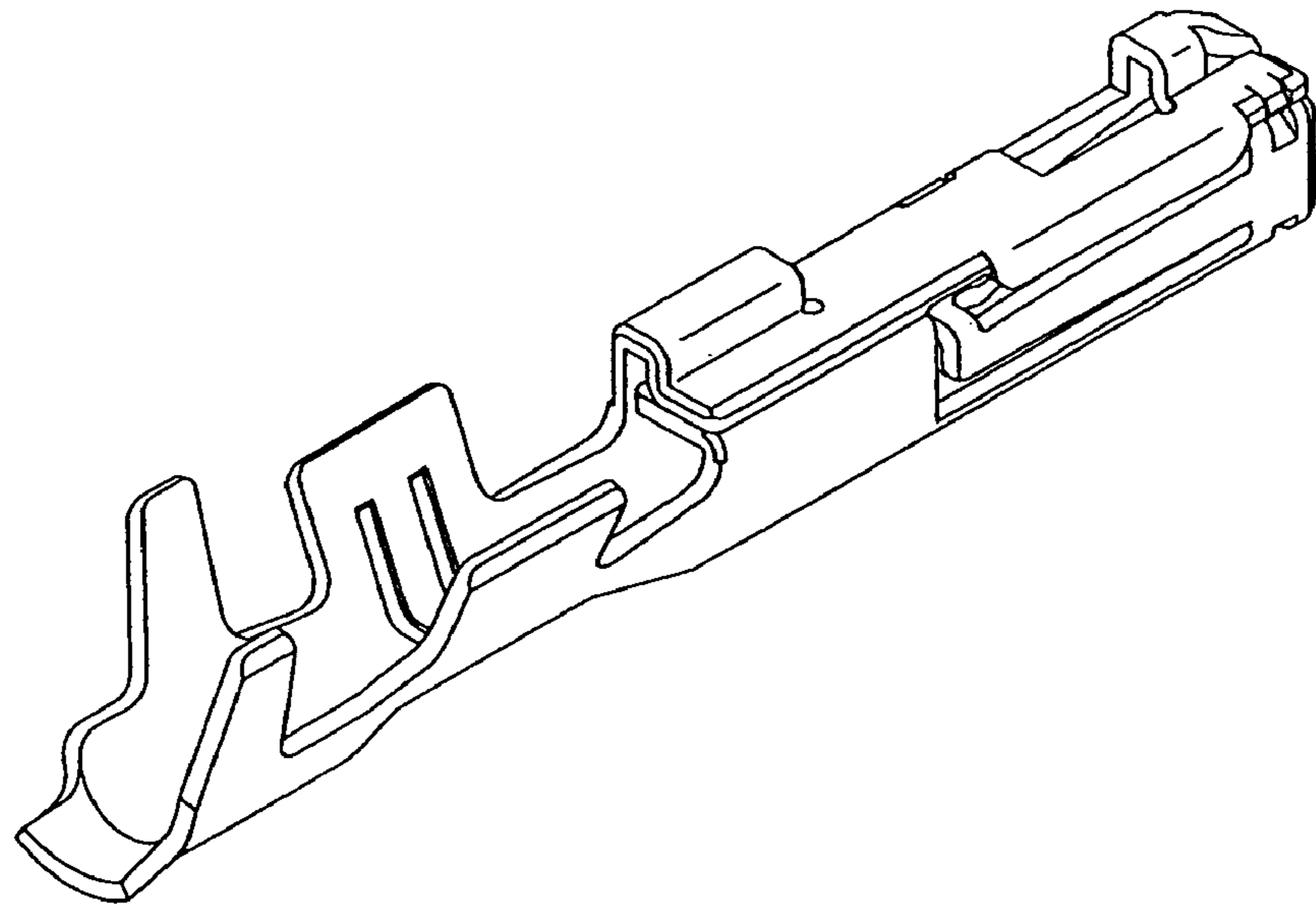


FIG. 10

