



US00D553079S

(12) **United States Design Patent**
Poulet et al.

(10) **Patent No.:** **US D553,079 S**

(45) **Date of Patent:** **** Oct. 16, 2007**

(54) **ELECTRIC MOTOR**

(75) Inventors: **Olivier Poulet**, Fillinges (FR);
Matthieu Bonnaud, Cluses (FR)

(73) Assignee: **Somfy SAS**, Cluses (FR)

(**) Term: **14 Years**

(21) Appl. No.: **29/257,513**

(22) Filed: **Apr. 5, 2006**

(30) **Foreign Application Priority Data**

Oct. 11, 2005 (EM) 000414511

(51) **LOC (8) Cl.** **13-01**

(52) **U.S. Cl.** **D13/112**

(58) **Field of Classification Search** D13/112,
D13/114, 122, 199; 49/140; 310/12, 13,
310/15, 29, 37, 40 R, 89; 318/9-15

See application file for complete search history.

(56) **References Cited**

U.S. PATENT DOCUMENTS

D167,139 S * 7/1952 Dochterman D13/112
D205,662 S * 9/1966 Bluemink D13/112
D304,169 S * 10/1989 Hoshino et al. D13/112
D372,457 S * 8/1996 Okuyama et al. D13/112

D424,516 S * 5/2000 Friedrichsen D13/112
D457,493 S * 5/2002 Borges D13/112
6,407,474 B1 * 6/2002 Mahn et al. 310/89
6,979,962 B2 12/2005 Cavarec et al.

* cited by examiner

Primary Examiner—Prabhakar Deshmukh

Assistant Examiner—Derrick Holland

(74) *Attorney, Agent, or Firm*—Frommer Lawrence & Haug
LLP; Ronald R. Santucci

(57) **CLAIM**

A ornamental design for an electric motor, as shown and described.

DESCRIPTION

FIG. 1 is a front perspective view of an electric motor showing our new design;

FIG. 2 is a front view thereof;

FIG. 3 is a rear view thereof;

FIG. 4 is a top view thereof;

FIG. 5 is a bottom view thereof;

FIG. 6 is a left side view thereof; and,

FIG. 7 is a right side view thereof.

1 Claim, 2 Drawing Sheets

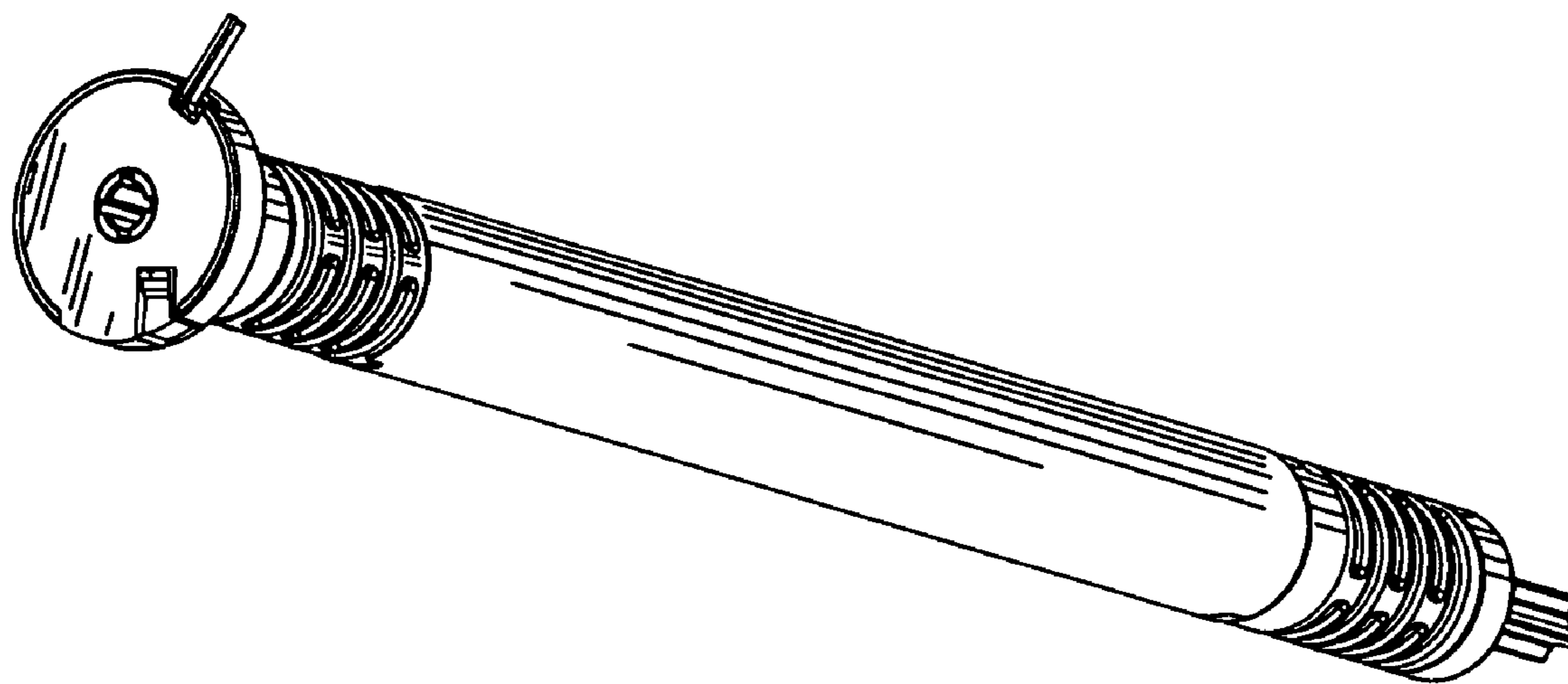


Fig.1

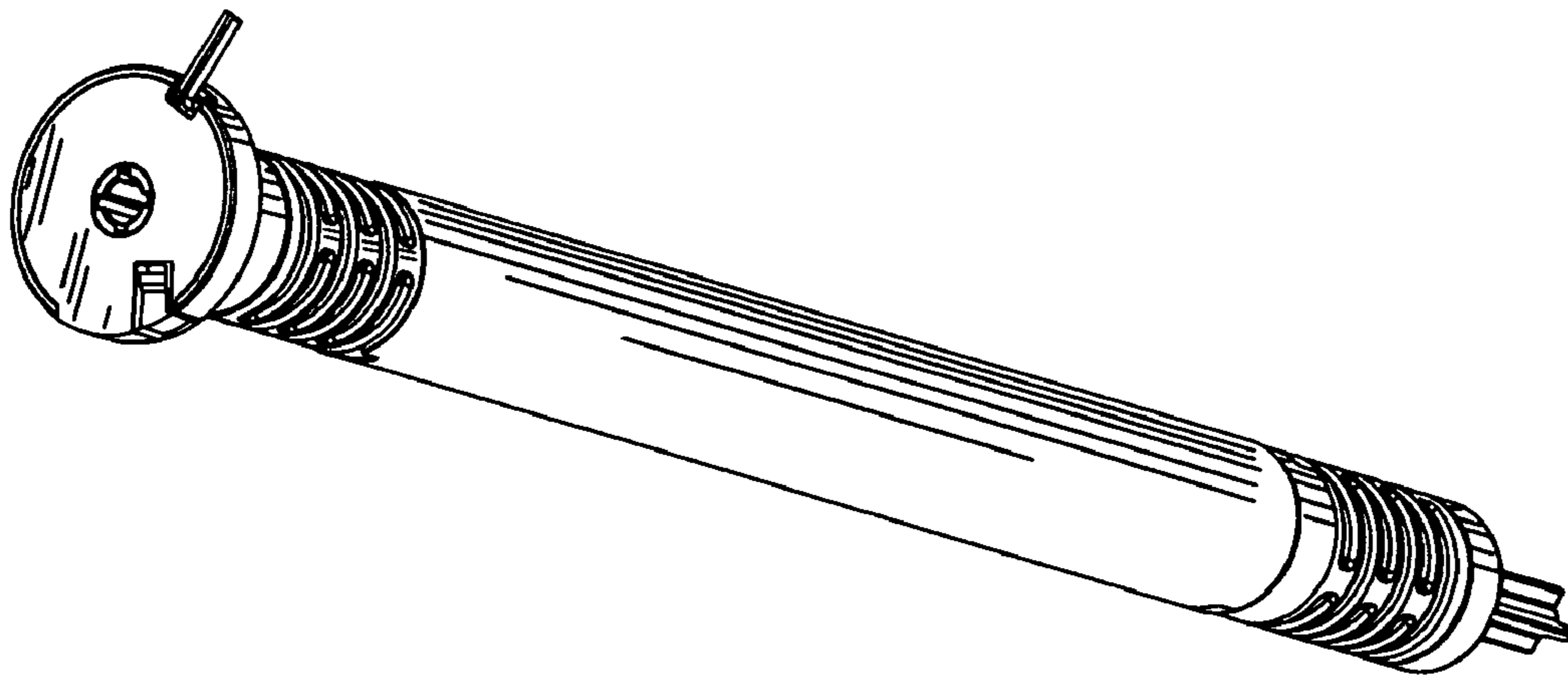


Fig.2

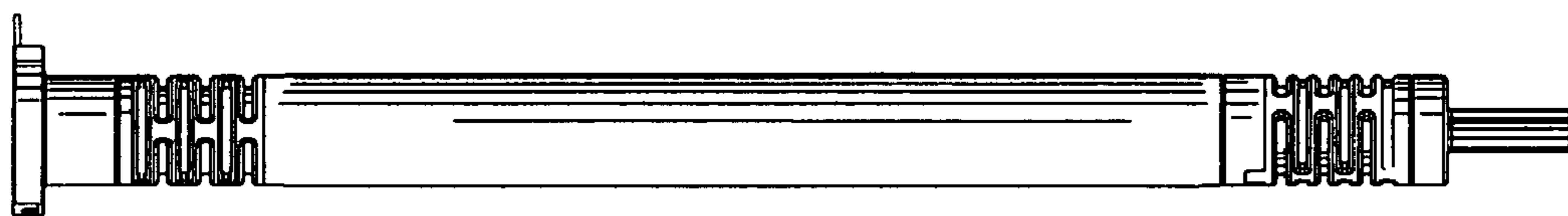


Fig.3

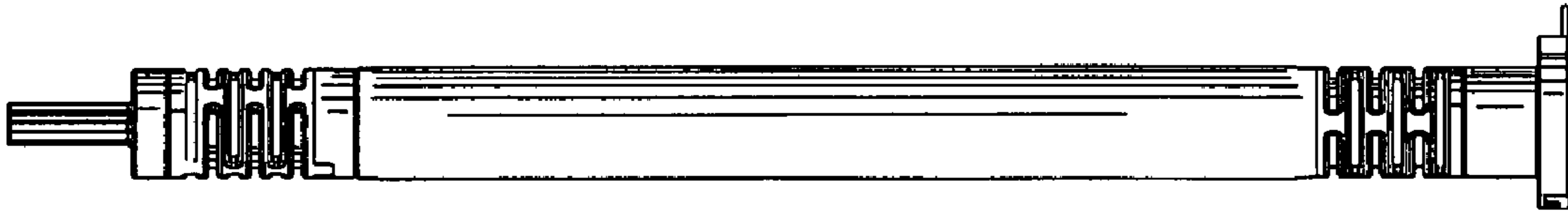


Fig.4

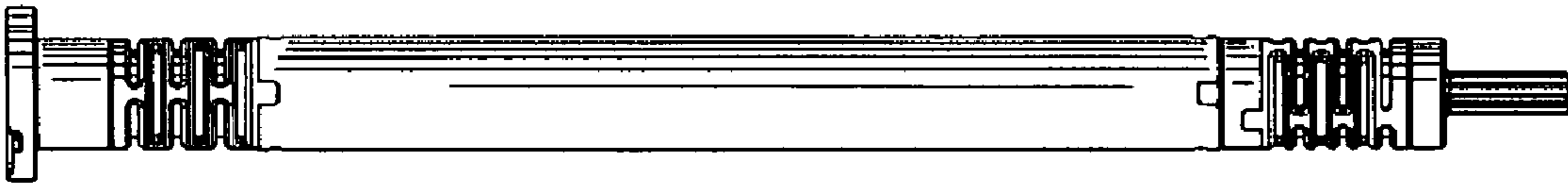


Fig.5

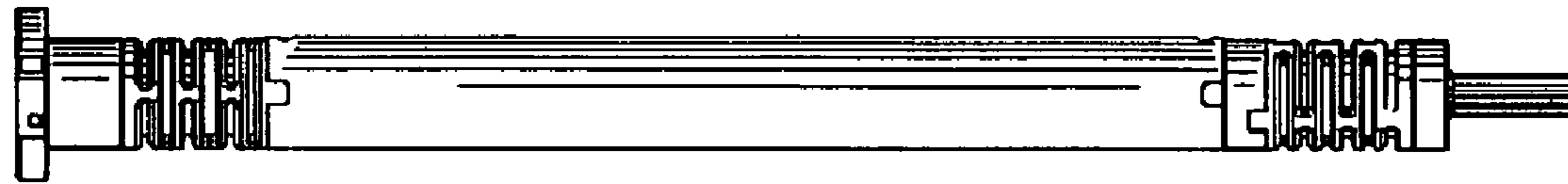


Fig.6

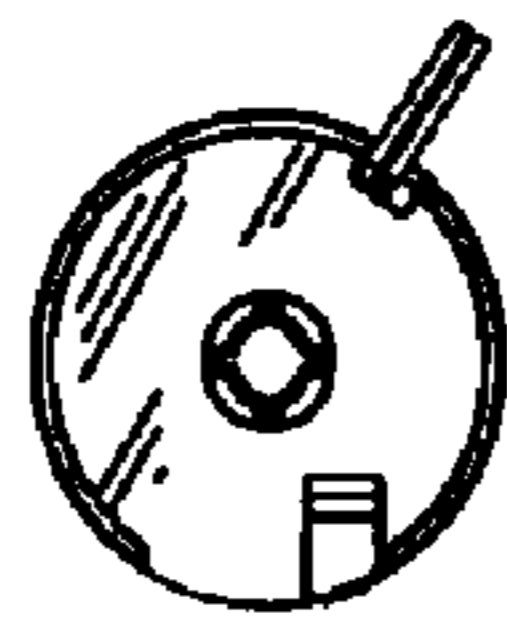


Fig.7

