



US00D553078S

(12) **United States Design Patent**
So

(10) **Patent No.:** **US D553,078 S**

(45) **Date of Patent:** **** Oct. 16, 2007**

(54) **VOLTAGE ADAPTER**

(75) Inventor: **Kam Wah So**, Shaukiwan (HK)

(73) Assignee: **Combotronic Limited**, Shaukiwan,
Hong Kong (CN)

(**) Term: **14 Years**

(21) Appl. No.: **29/260,612**

(22) Filed: **May 26, 2006**

(30) **Foreign Application Priority Data**

Dec. 23, 2005 (HK) 0503135

(51) **LOC (8) Cl.** **13-02**

(52) **U.S. Cl.** **D13/110**

(58) **Field of Classification Search** D13/110,
D13/123, 133, 199; 307/149, 150-151; 363/146
See application file for complete search history.

(56) **References Cited**

U.S. PATENT DOCUMENTS

D251,367 S * 3/1979 Tucker D10/78
D336,467 S * 6/1993 Pooley et al. D14/433
D338,188 S * 8/1993 Lee et al. D13/110
D442,553 S * 5/2001 Urban et al. D13/153

D457,134 S * 5/2002 Lam et al. D13/110
2003/0201676 A1 * 10/2003 Su 307/149

* cited by examiner

Primary Examiner—Prabhakar Deshmukh

Assistant Examiner—Derrick Holland

(74) *Attorney, Agent, or Firm*—Alix, Yale & Ristas, LLP

(57) **CLAIM**

The ornamental design for a voltage adapter, as shown and described.

DESCRIPTION

FIG. 1 is a front, right side and bottom end perspective view of a voltage adapter showing my new design;

FIG. 2 is a rear, left side and bottom end perspective view thereof;

FIG. 3 is a front elevational view thereof;

FIG. 4 is a rear elevational view thereof;

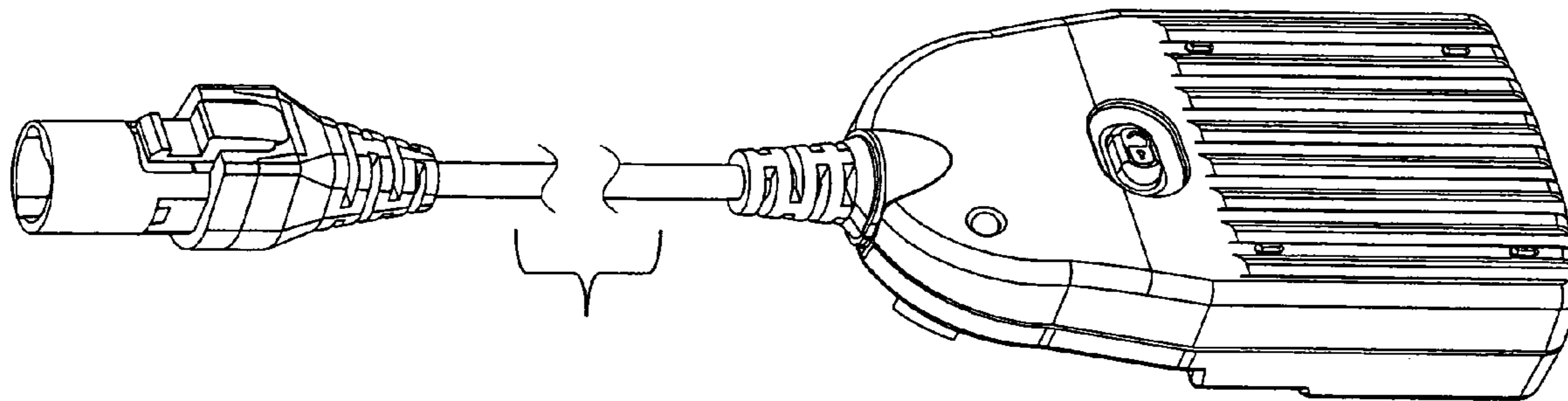
FIG. 5 is a right side elevational view thereof;

FIG. 6 is a left side elevational view thereof;

FIG. 7 is a top end view thereof; and,

FIG. 8 is a bottom end view thereof.

1 Claim, 4 Drawing Sheets



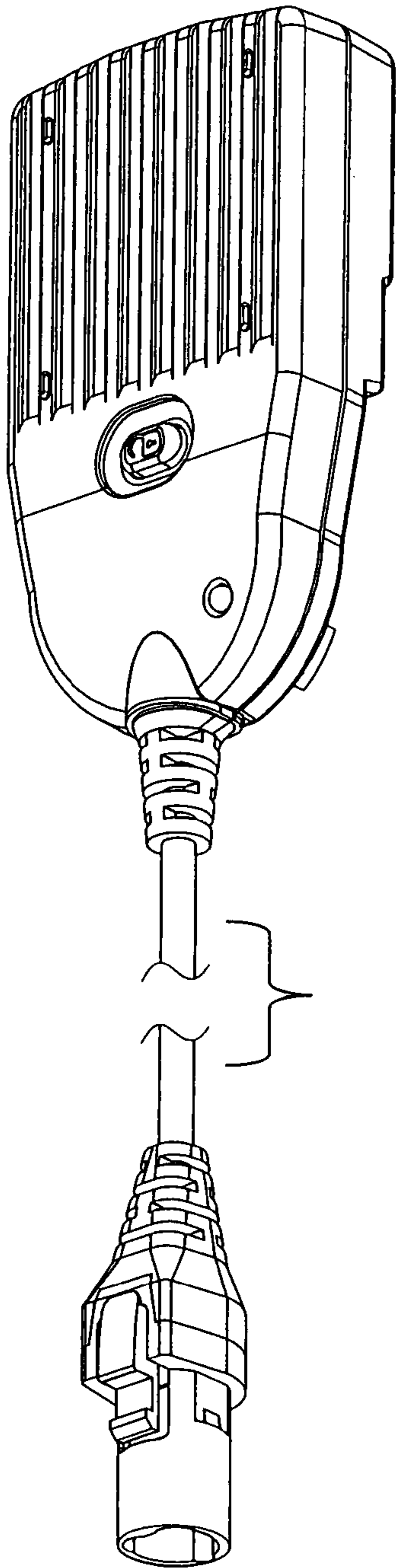


Fig. 1

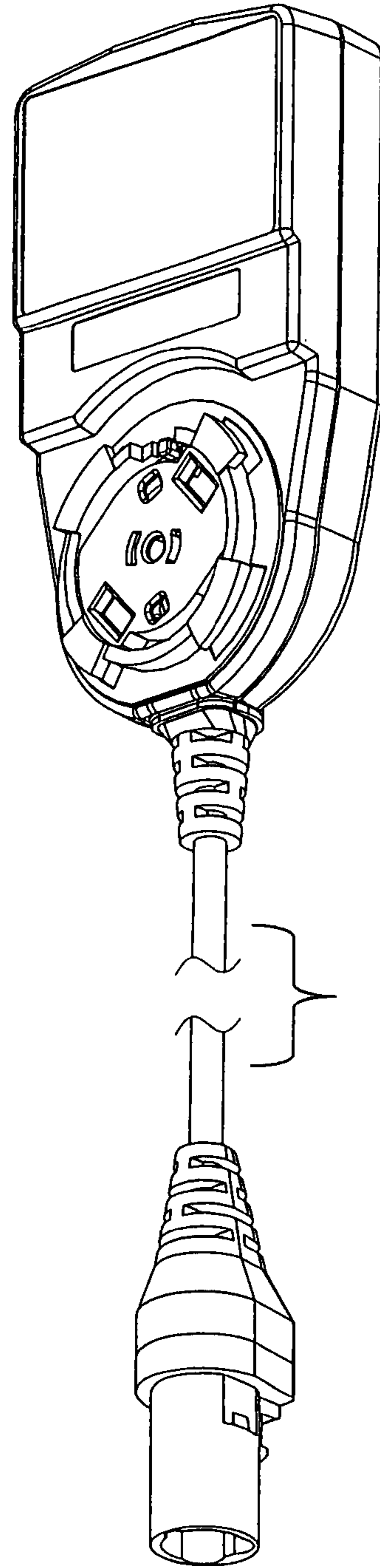


Fig. 2

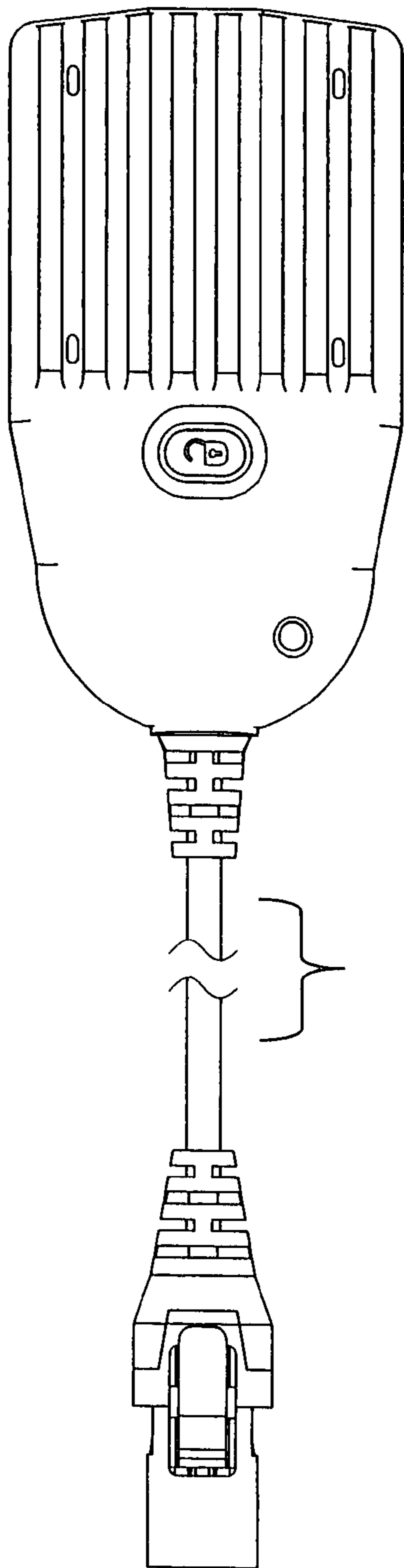


Fig. 3

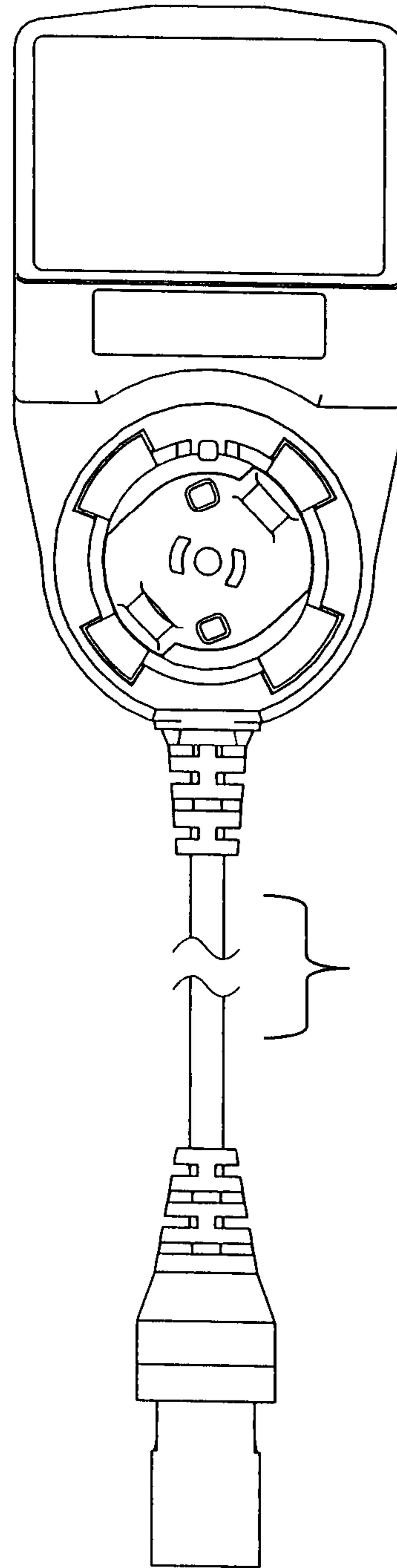


Fig. 4

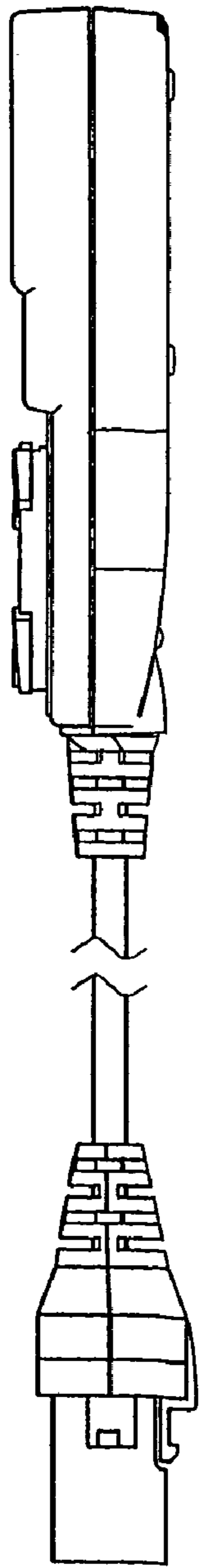


FIG. 6

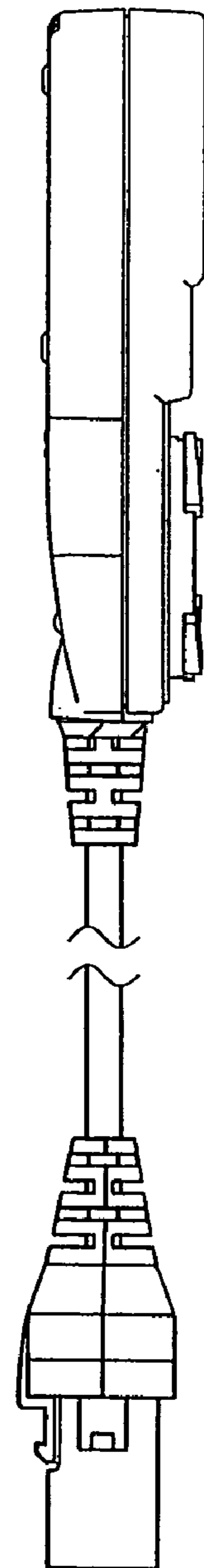


FIG. 5

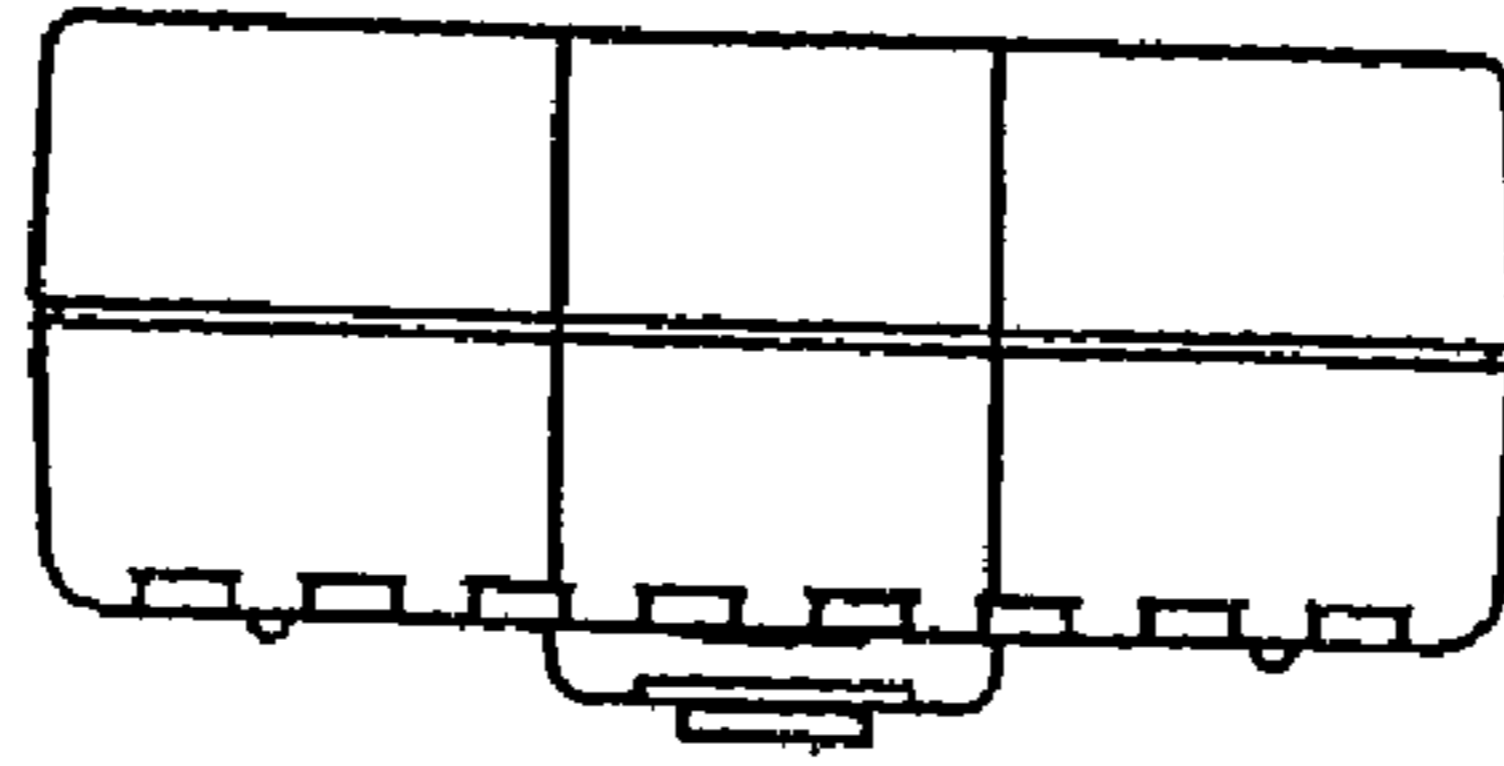


FIG. 7

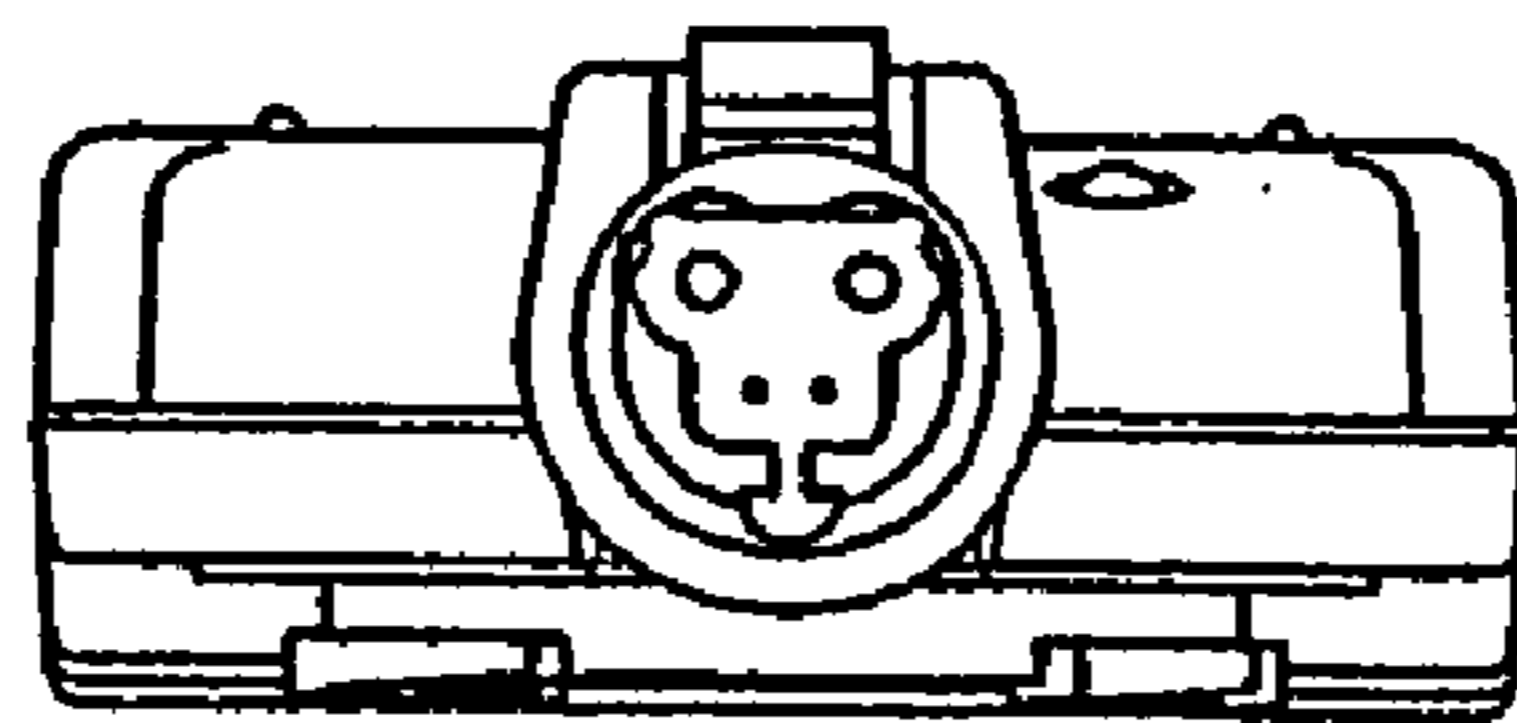


FIG. 8