



US00D553077S

(12) **United States Design Patent**
Kim et al.

(10) **Patent No.:** **US D553,077 S**

(45) **Date of Patent:** **** Oct. 16, 2007**

(54) **CHARGER FOR HEADSET**

(75) Inventors: **Dong Kyu Kim**, Seoul (KR); **Beom Ku Han**, Seoul (KR); **Chang Soo Lee**, Seoul (KR)

(73) Assignee: **Samsung Electronics Co., Ltd.**, Kyungki-Do (KR)

(**) Term: **14 Years**

(21) Appl. No.: **29/268,463**

(22) Filed: **Nov. 7, 2006**

(51) **LOC (8) Cl.** **13-02**

(52) **U.S. Cl.** **D13/108**

(58) **Field of Classification Search** D13/107-110,
D13/118-119, 184; D14/251, 253, 432,
D14/434; 320/107-115

See application file for complete search history.

(56) **References Cited**

U.S. PATENT DOCUMENTS

D206,880 S *	2/1967	Kelly	D13/108
4,766,361 A *	8/1988	Pusateri	320/110
5,057,761 A *	10/1991	Felegyhazi, Sr.	320/110
D328,276 S *	7/1992	Koinuma	D13/107
D331,220 S *	11/1992	Tsuchiya	D13/107
D336,281 S *	6/1993	Nakamura et al.	D13/107
D375,934 S *	11/1996	Rosen et al.	D13/107
D393,625 S *	4/1998	Riccobon	D13/107
D443,856 S *	6/2001	Lehtovaara	D13/107

D483,014 S *	12/2003	Hsiao	D13/107
D501,824 S *	2/2005	Ku	D13/107
D511,493 S *	11/2005	Luneau	D13/108
2002/0117995 A1 *	8/2002	Oh	320/107

* cited by examiner

Primary Examiner—Alan P. Douglas

Assistant Examiner—Rosemary K. Tarcza

(74) *Attorney, Agent, or Firm*—Ladas and Parry LLP

(57) **CLAIM**

The ornamental design for a charger for headset, as shown and described.

DESCRIPTION

FIG. 1 is a front/left-side/top perspective view of a charger for headset showing our new design;

FIG. 2 is a front elevational view thereof;

FIG. 3 is a rear elevational view thereof;

FIG. 4 is a left-side elevational view thereof;

FIG. 5 is a right-side elevational view thereof;

FIG. 6 is a top plan view thereof;

FIG. 7 is a bottom plan view thereof;

FIG. 8 is a view when it is open; and,

FIG. 9 is a view when headset and cable are connected.

The broken lines in the drawings are for illustrative purposes only and form no part of the claimed design.

1 Claim, 5 Drawing Sheets

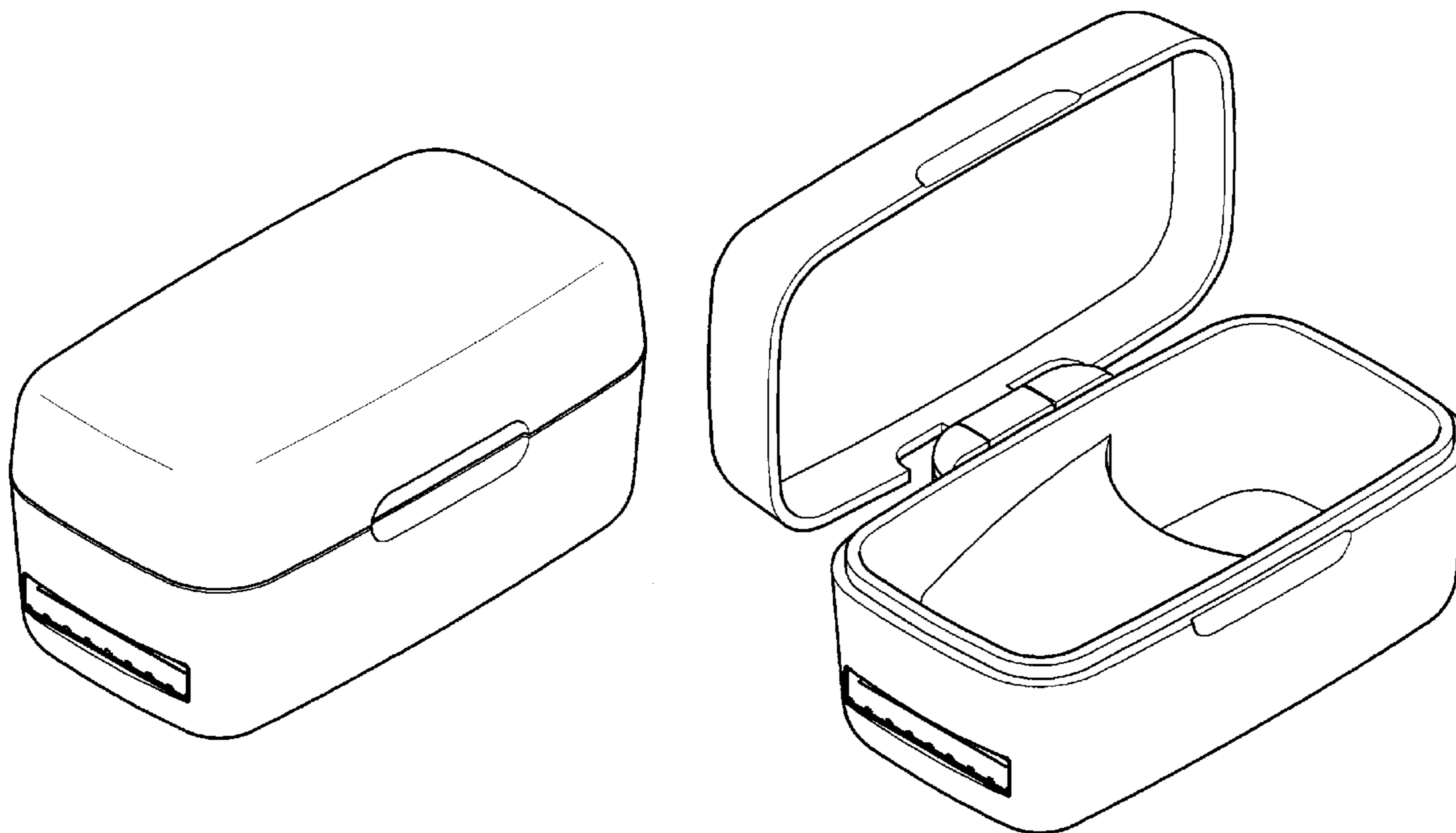


FIG. 1

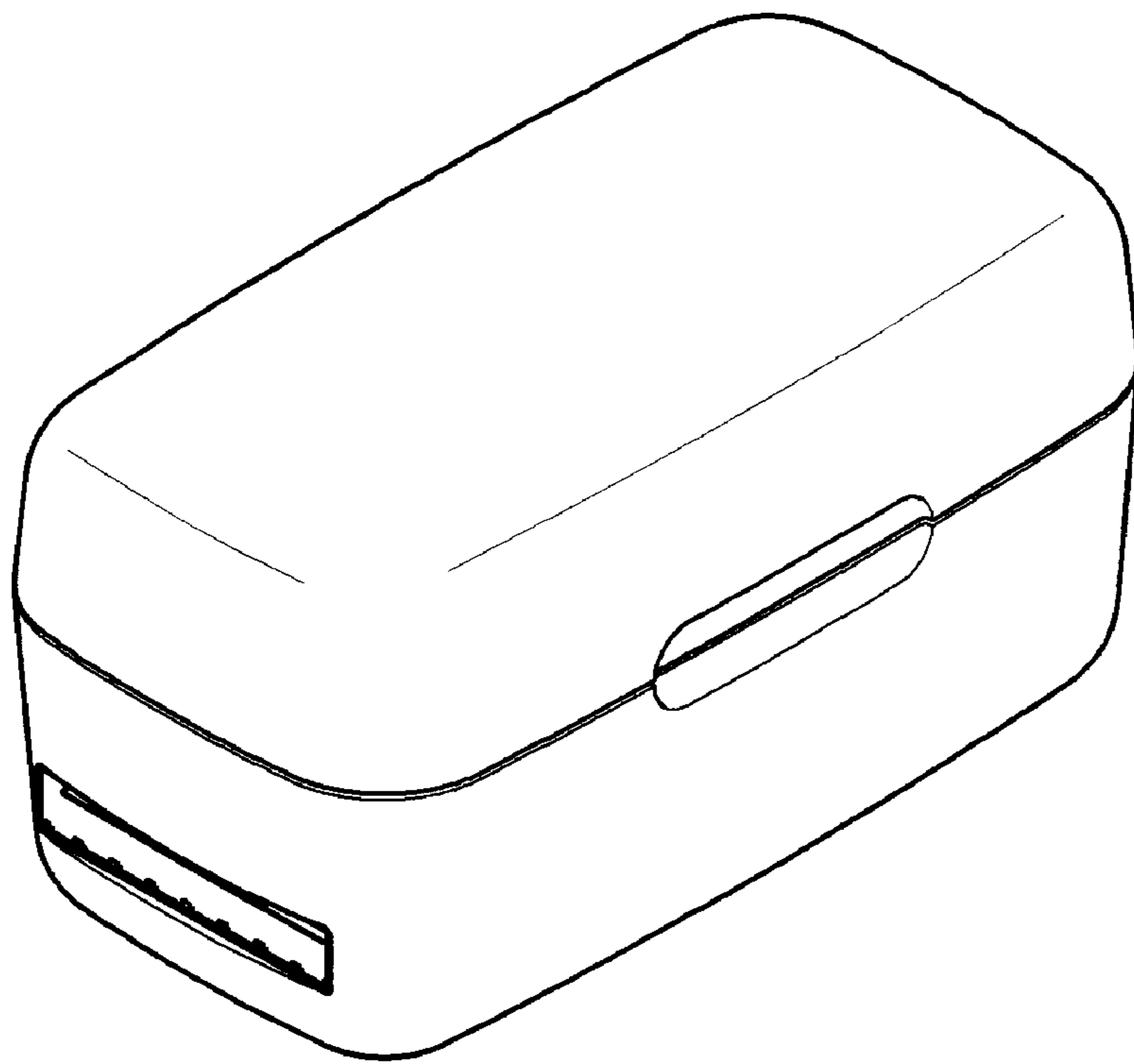


FIG. 2

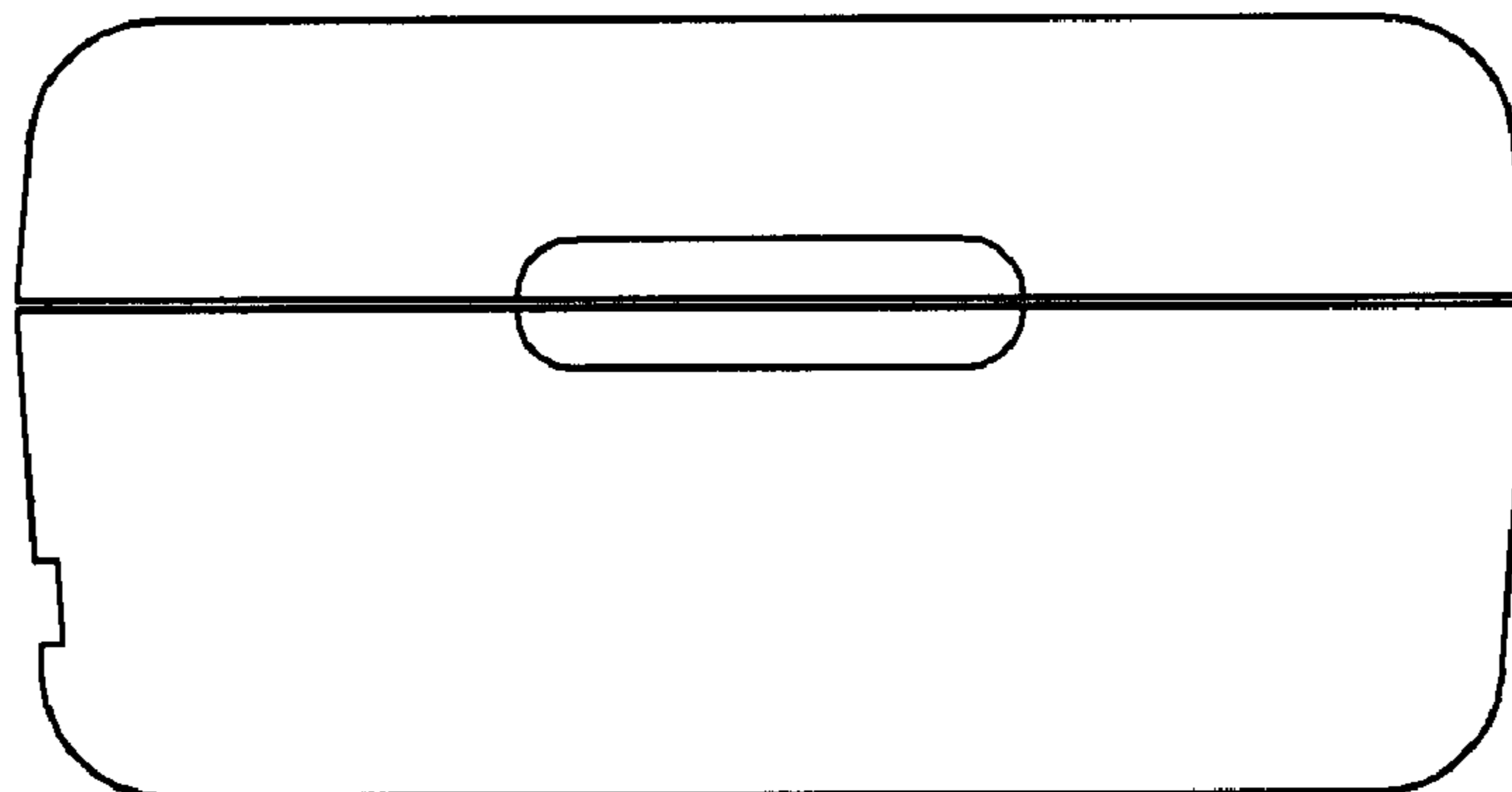


FIG. 3

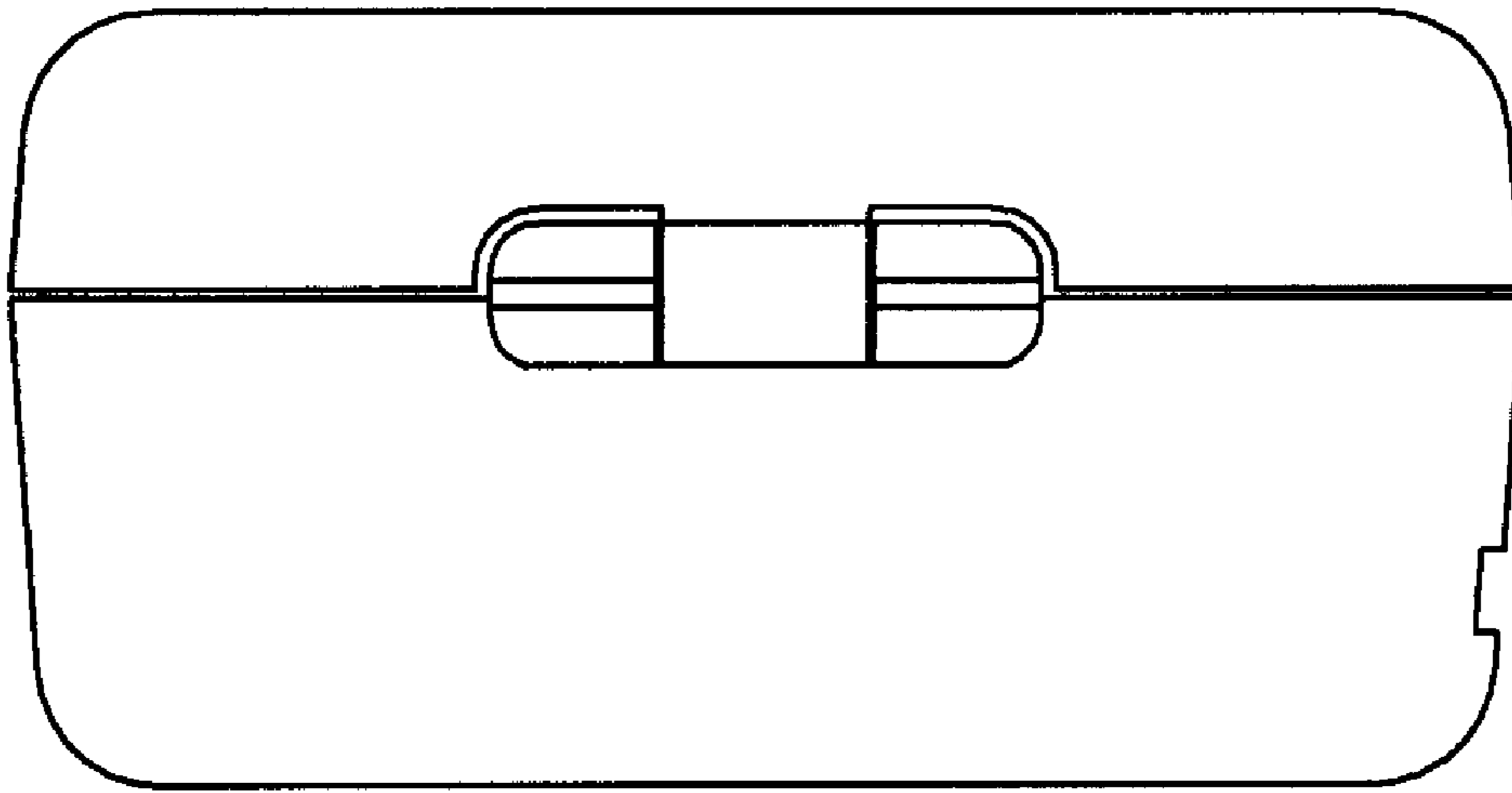


FIG. 4

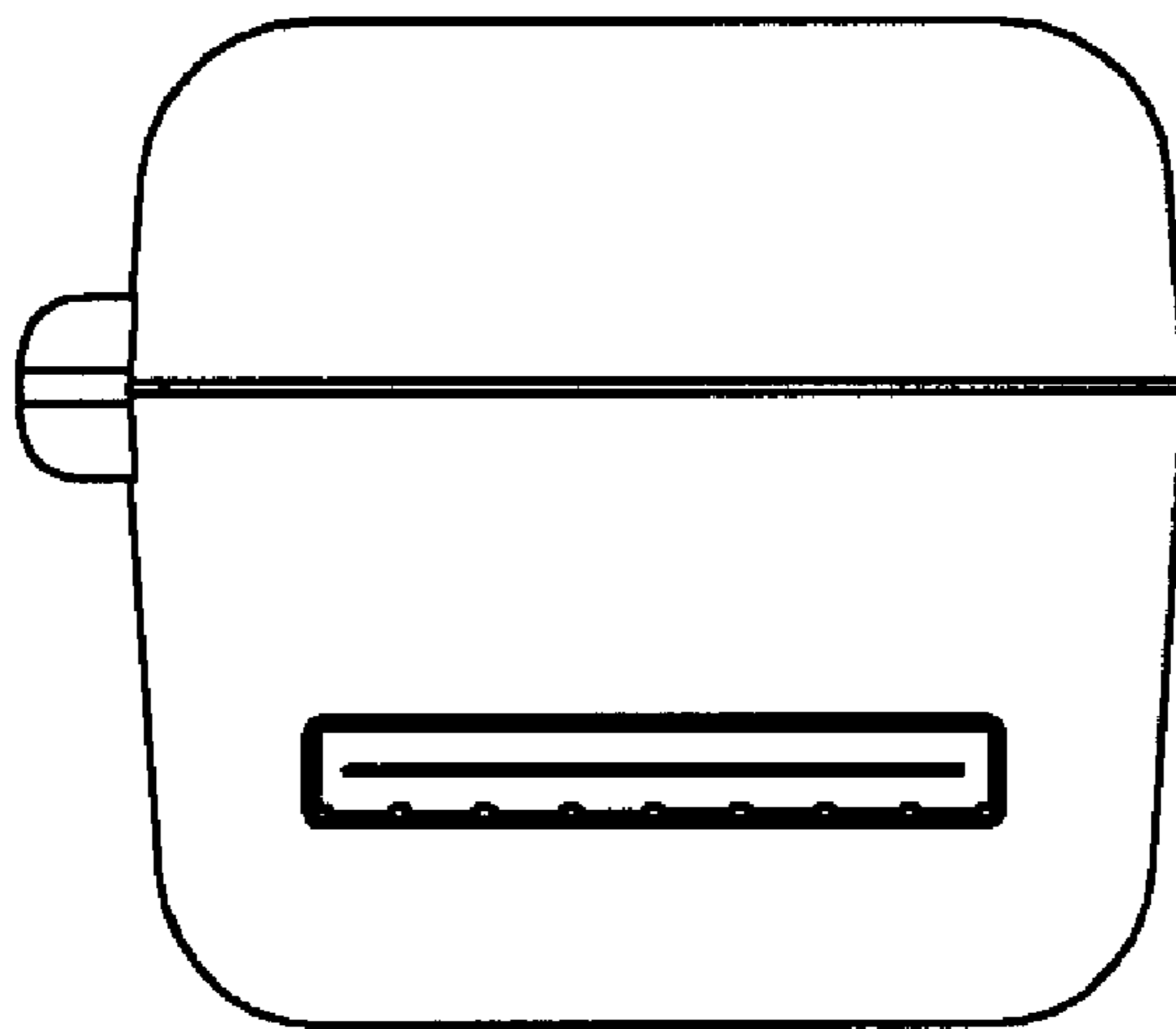


FIG. 5

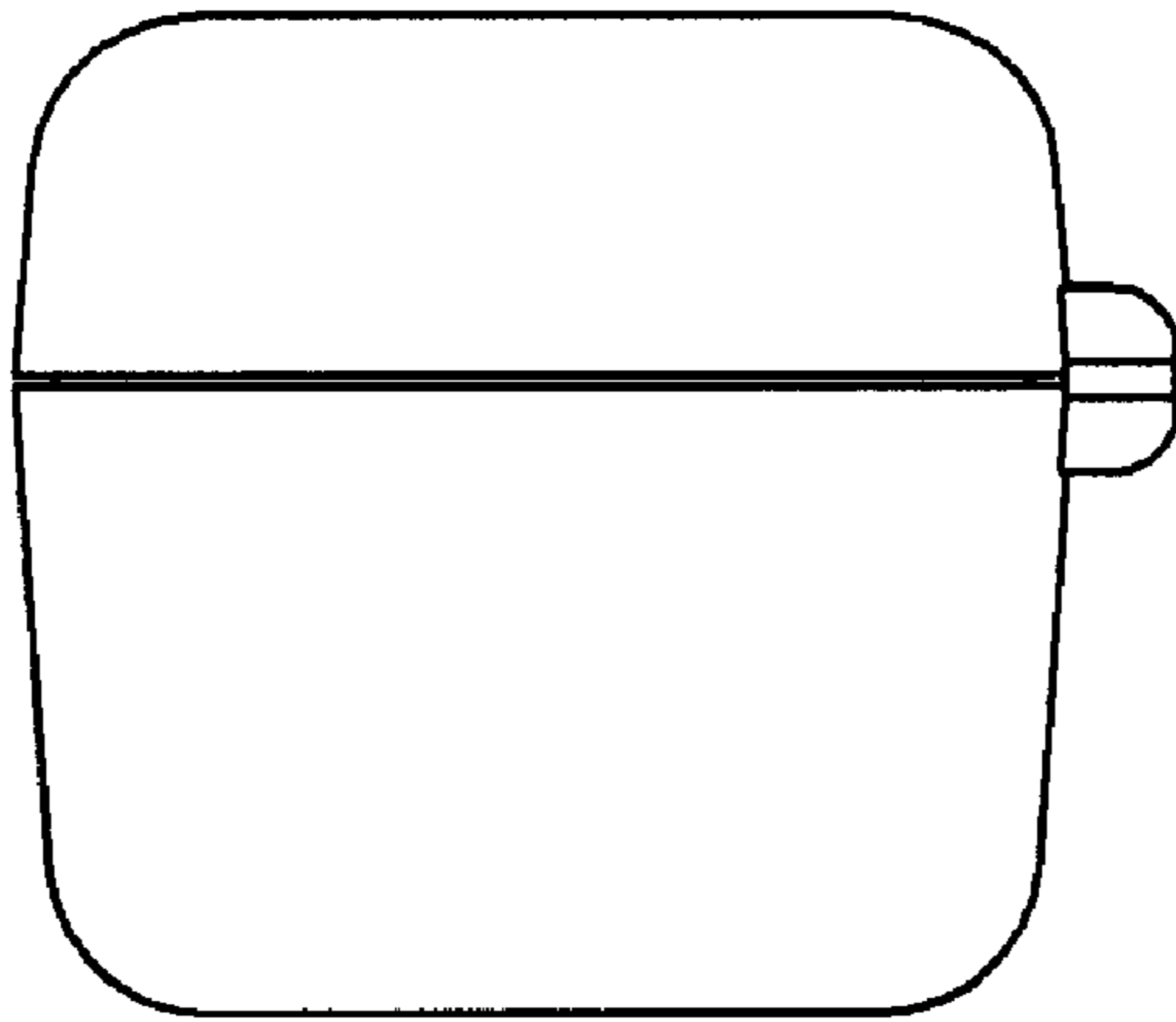


FIG. 6

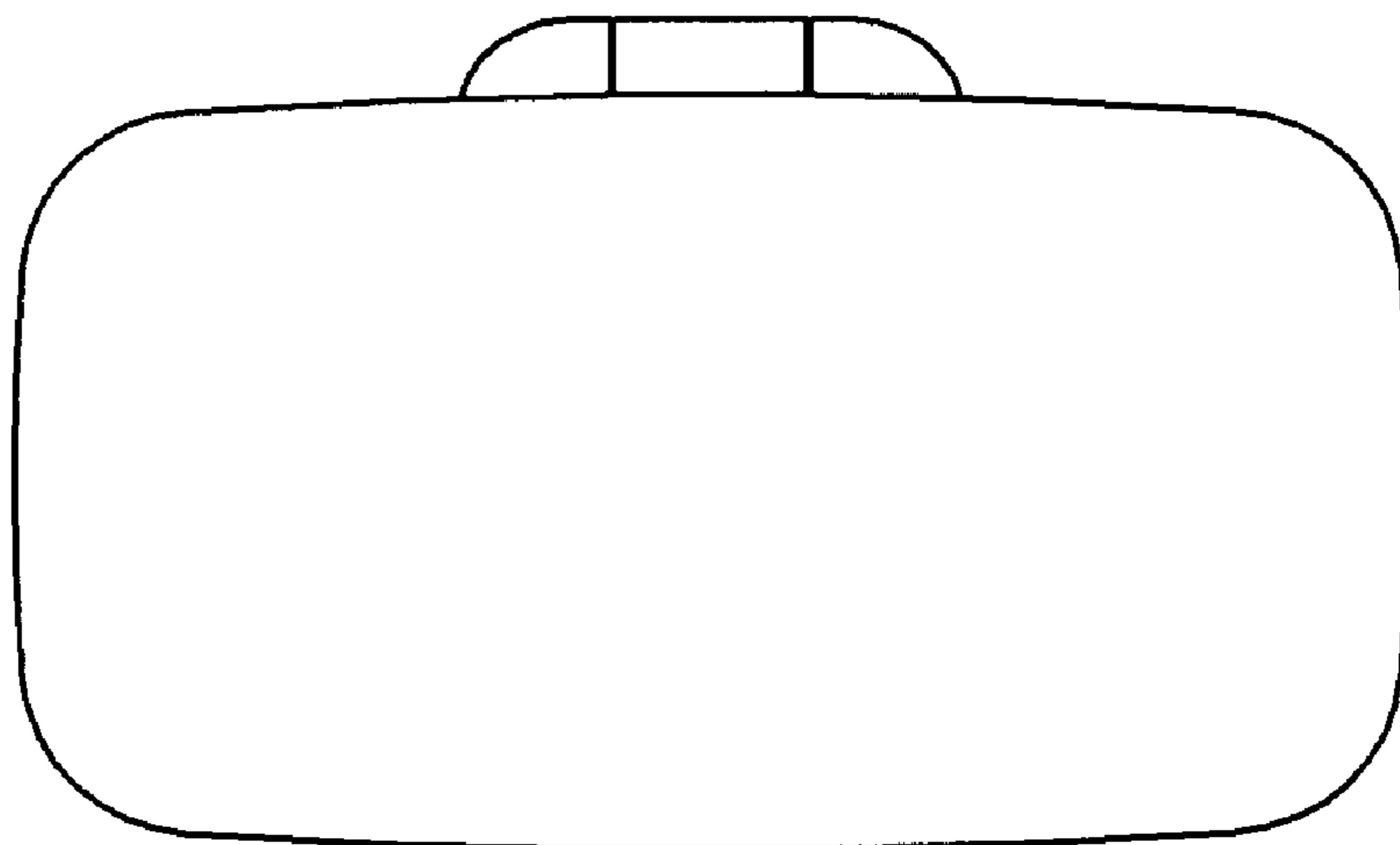


FIG. 7

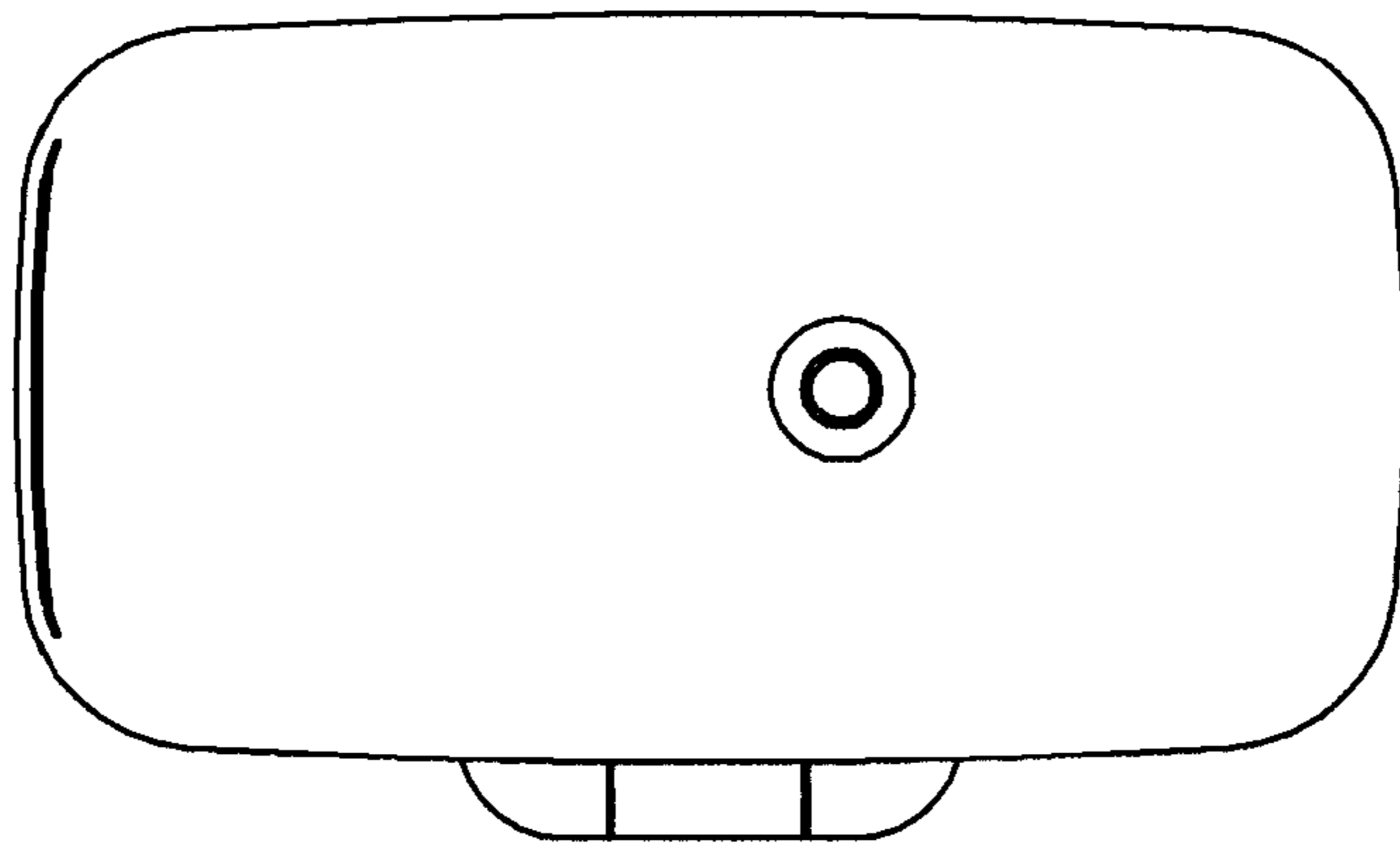


FIG. 8

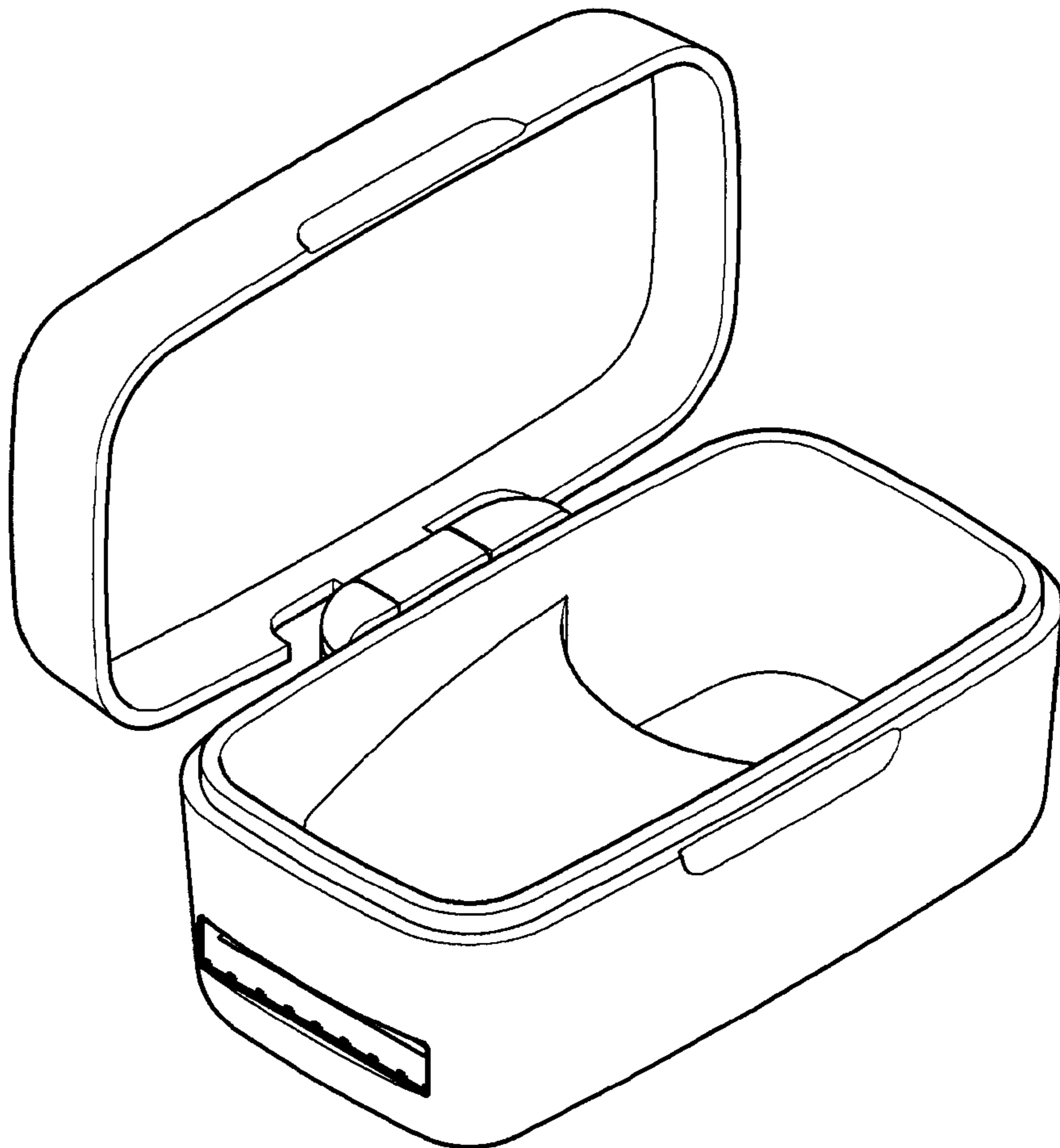


Fig. 9

