



US00D553068S

(12) **United States Design Patent**
Celik

(10) **Patent No.:** **US D553,068 S**

(45) **Date of Patent:** **** Oct. 16, 2007**

(54) **WHEEL RIM**

(76) **Inventor:** **Norman Celik**, 12720 Wentworth St.,
Arleta, CA (US) 91331

(**) **Term:** **14 Years**

(21) **Appl. No.:** **29/272,761**

(22) **Filed:** **Feb. 16, 2007**

(51) **LOC (8) Cl.** **12-16**

(52) **U.S. Cl.** **D12/211**

(58) **Field of Classification Search** D12/204-213;
301/37.101, 64.101, 65

See application file for complete search history.

(56) **References Cited**

U.S. PATENT DOCUMENTS

- D410,618 S * 6/1999 Hussaini et al. D12/211
- D413,851 S * 9/1999 Donikoglu D12/209
- D422,258 S * 4/2000 Hale, Jr. D12/211
- D430,843 S * 9/2000 Sands D12/211
- D459,689 S * 7/2002 Hieke D12/211
- D481,663 S * 11/2003 Maifrini D12/211

- D482,308 S * 11/2003 Lee D12/211
- D486,437 S * 2/2004 Hieke D12/211
- D491,872 S * 6/2004 Lai D12/211
- D492,927 S * 7/2004 Fitzgerald D12/211
- D515,003 S * 2/2006 Echazabal D12/211
- D531,104 S * 10/2006 Kim D12/209
- D531,567 S * 11/2006 Walbey, Jr. D12/211

* cited by examiner

Primary Examiner—Stacia Cadmus

(74) *Attorney, Agent, or Firm*—Raymond Y. Chan; David
and Raymond Patent Group

(57) **CLAIM**

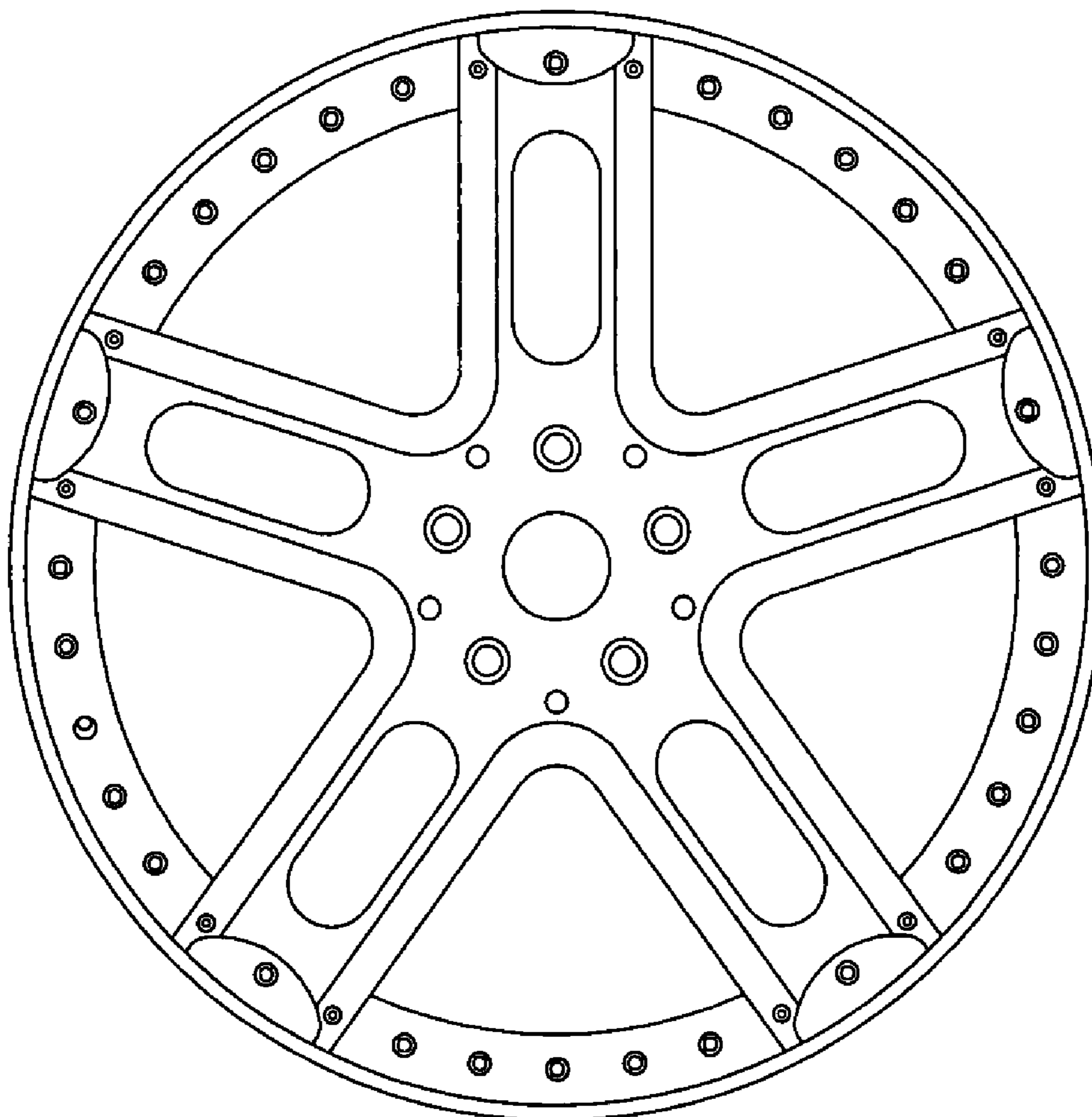
The ornamental design for a wheel rim, as shown and
described.

DESCRIPTION

FIG. 1 is a perspective view of wheel rim showing my new
design; and,

FIG. 2 is a front view thereof.

1 Claim, 2 Drawing Sheets



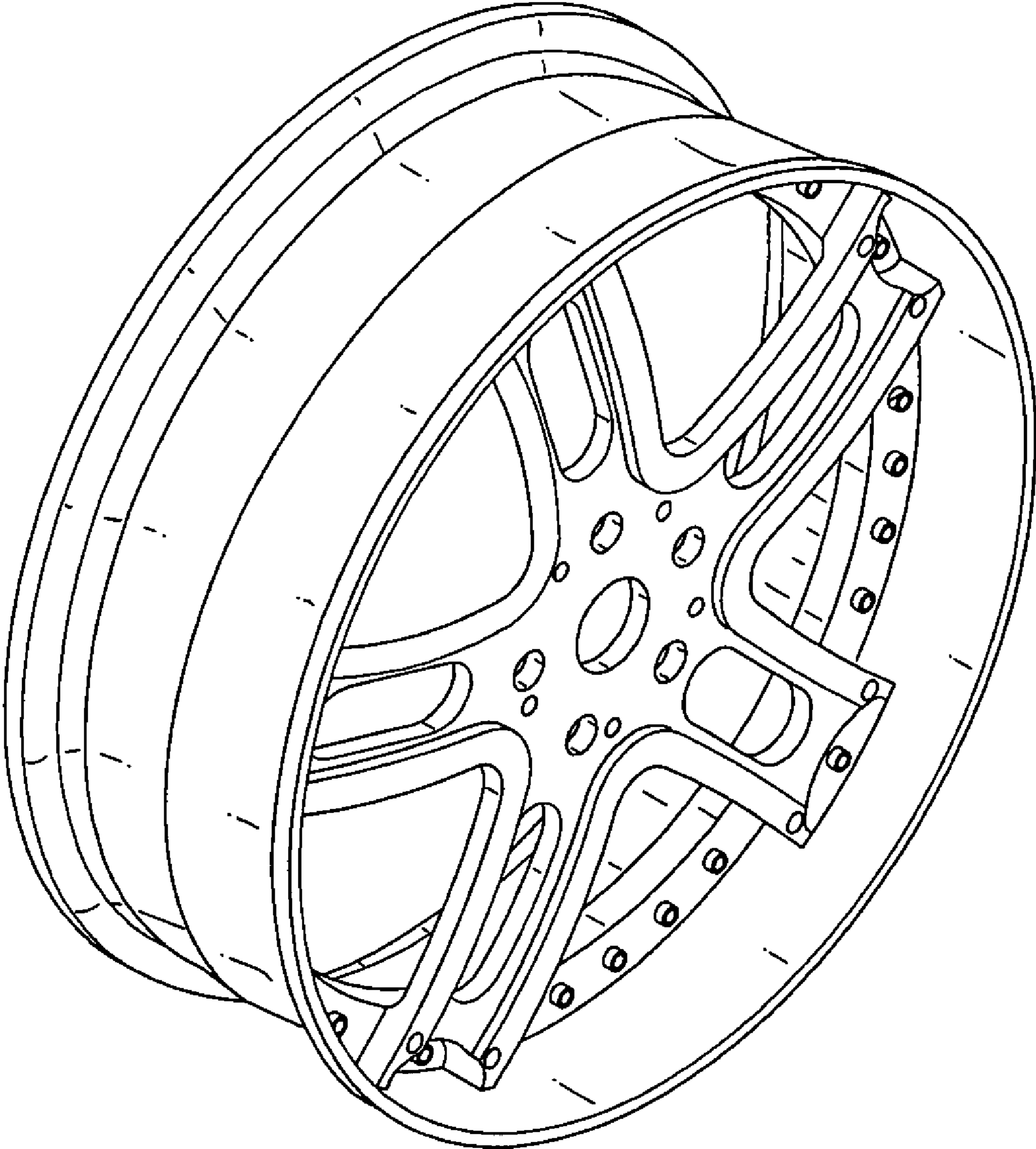


Fig. 1

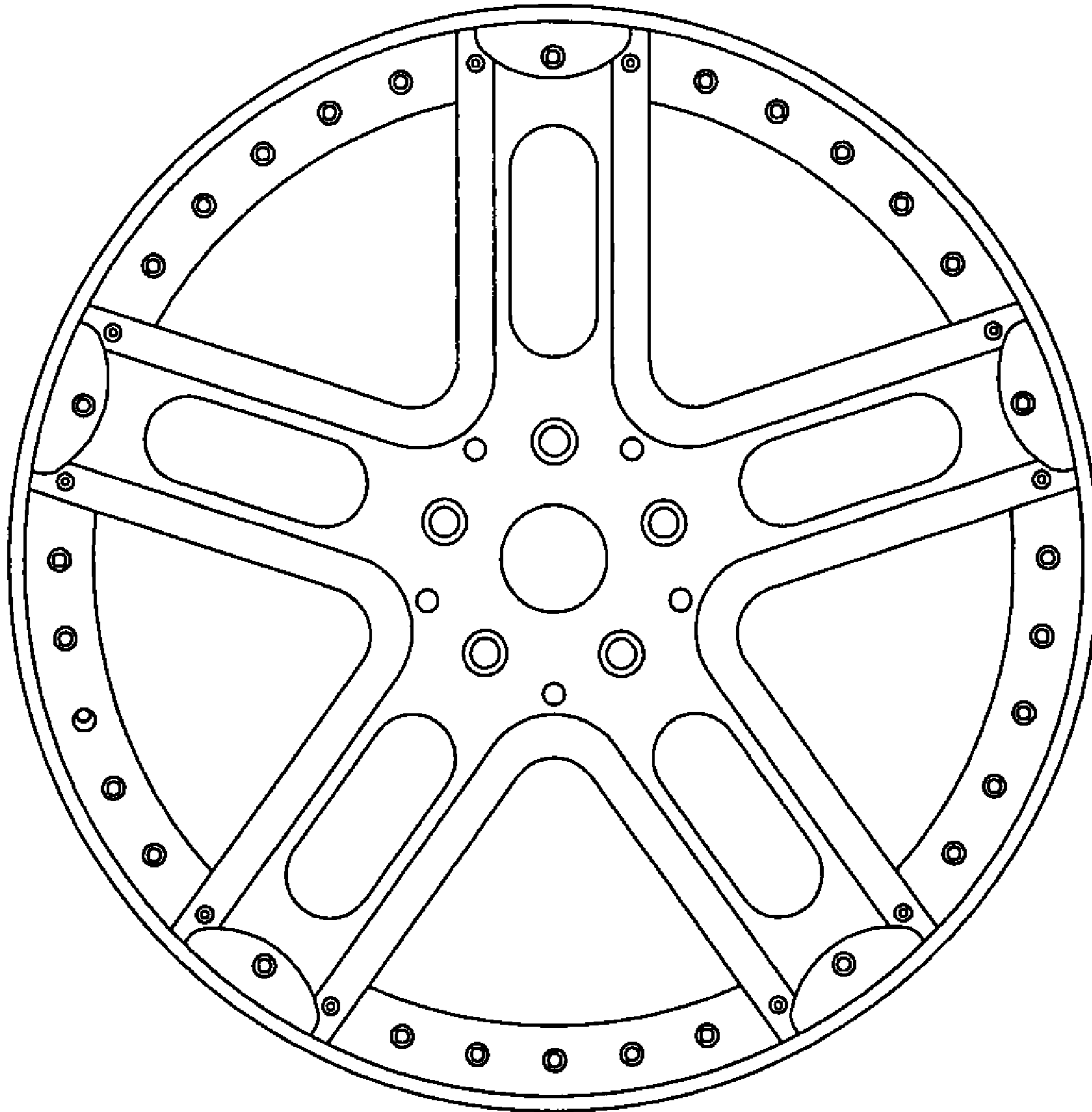


Fig. 2