



US00D553065S

(12) **United States Design Patent**
Martin

(10) **Patent No.:** **US D553,065 S**

(45) **Date of Patent:** **** Oct. 16, 2007**

(54) **VEHICLE WHEEL**

(75) Inventor: **Jeffrey L. Martin**, Duncanville, TX
(US)

(73) Assignee: **Prestige Autotech Corporation**, Chino,
CA (US)

(**) Term: **14 Years**

(21) Appl. No.: **29/273,236**

(22) Filed: **Feb. 28, 2007**

(51) **LOC (8) Cl.** **12-16**

(52) **U.S. Cl.** **D12/209**

(58) **Field of Classification Search** D12/204–213;
301/37.101, 64.101, 65

See application file for complete search history.

(56) **References Cited**

U.S. PATENT DOCUMENTS

D455,700 S *	4/2002	Foose	D12/209
D471,499 S *	3/2003	Cahyono	D12/209
D494,918 S *	8/2004	Kim	D12/211
D499,682 S *	12/2004	Kushartanto	D12/209
D500,722 S *	1/2005	Hussaini et al.	D12/209
D501,814 S *	2/2005	Weld	D12/209

D519,901 S *	5/2006	Panano	D12/209
D528,959 S *	9/2006	Sycha	D12/209
D531,105 S *	10/2006	Martin	D12/209
D533,127 S *	12/2006	Martin	D12/209
D533,824 S *	12/2006	Martin	D12/209
D535,008 S *	1/2007	Wu	D12/209

* cited by examiner

Primary Examiner—Stacia Cadmus

(74) *Attorney, Agent, or Firm*—Fulwider Patton LLP

(57) **CLAIM**

The ornamental design for a “vehicle wheel,” as shown and described.

DESCRIPTION

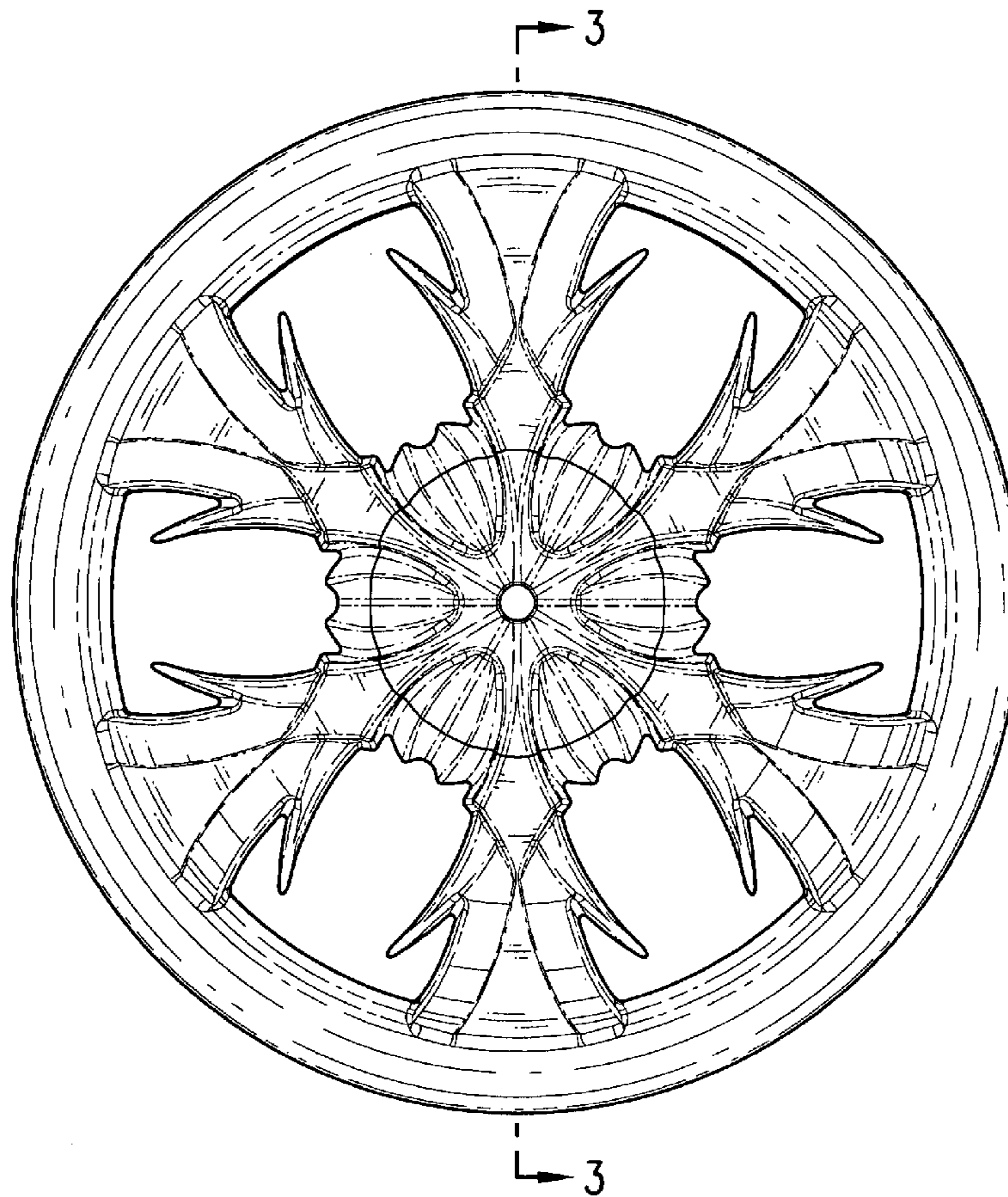
FIG. 1 is a perspective view of the vehicle wheel showing my new design;

FIG. 2 is a front elevational view thereof; and,

FIG. 3 is a cross-sectional view taken along the lines of 3—3 of FIG. 2.

The broken line showing the environment is for illustrative purposes only and forms no part of the claimed design.

1 Claim, 3 Drawing Sheets



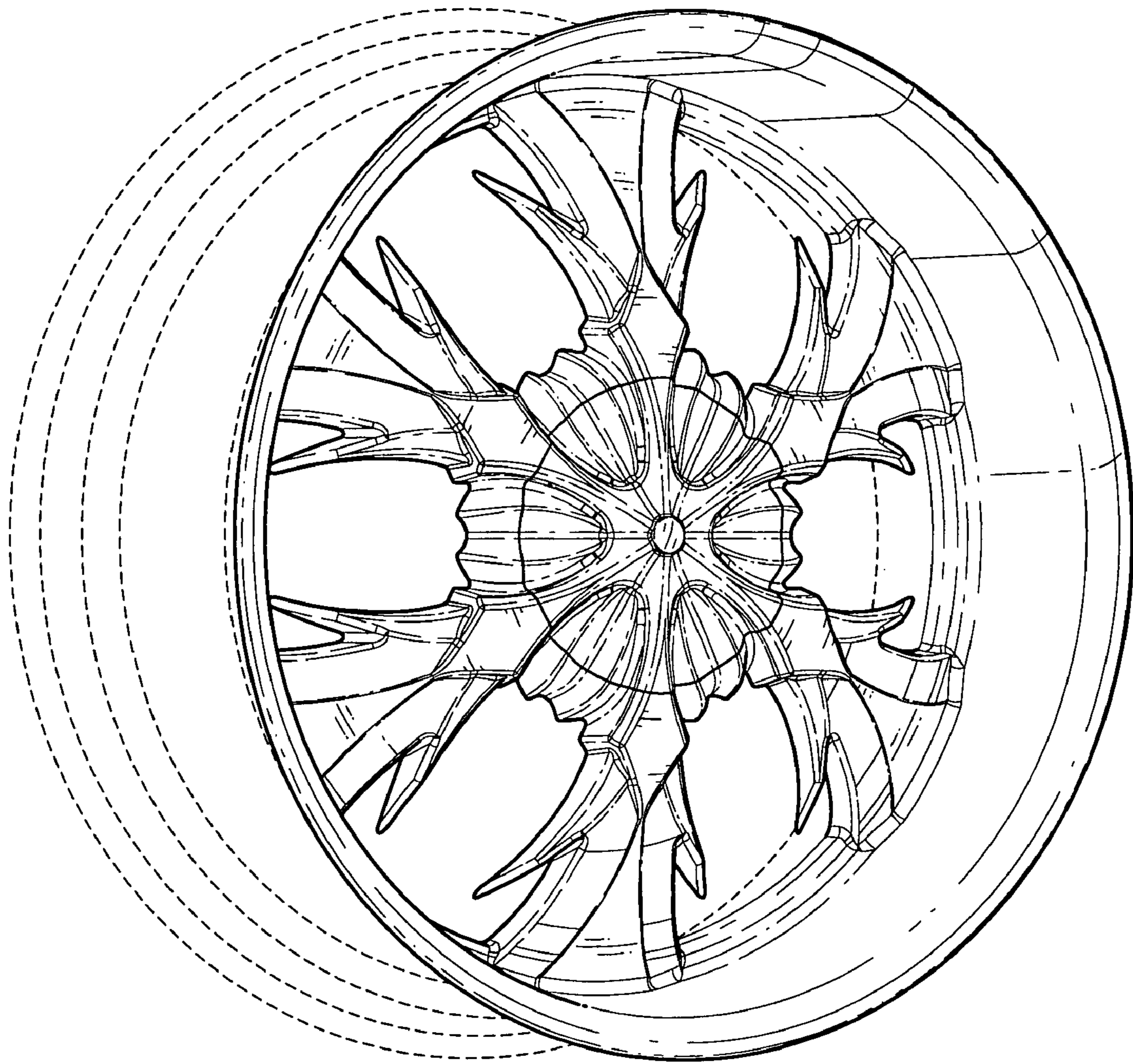


FIG. 1

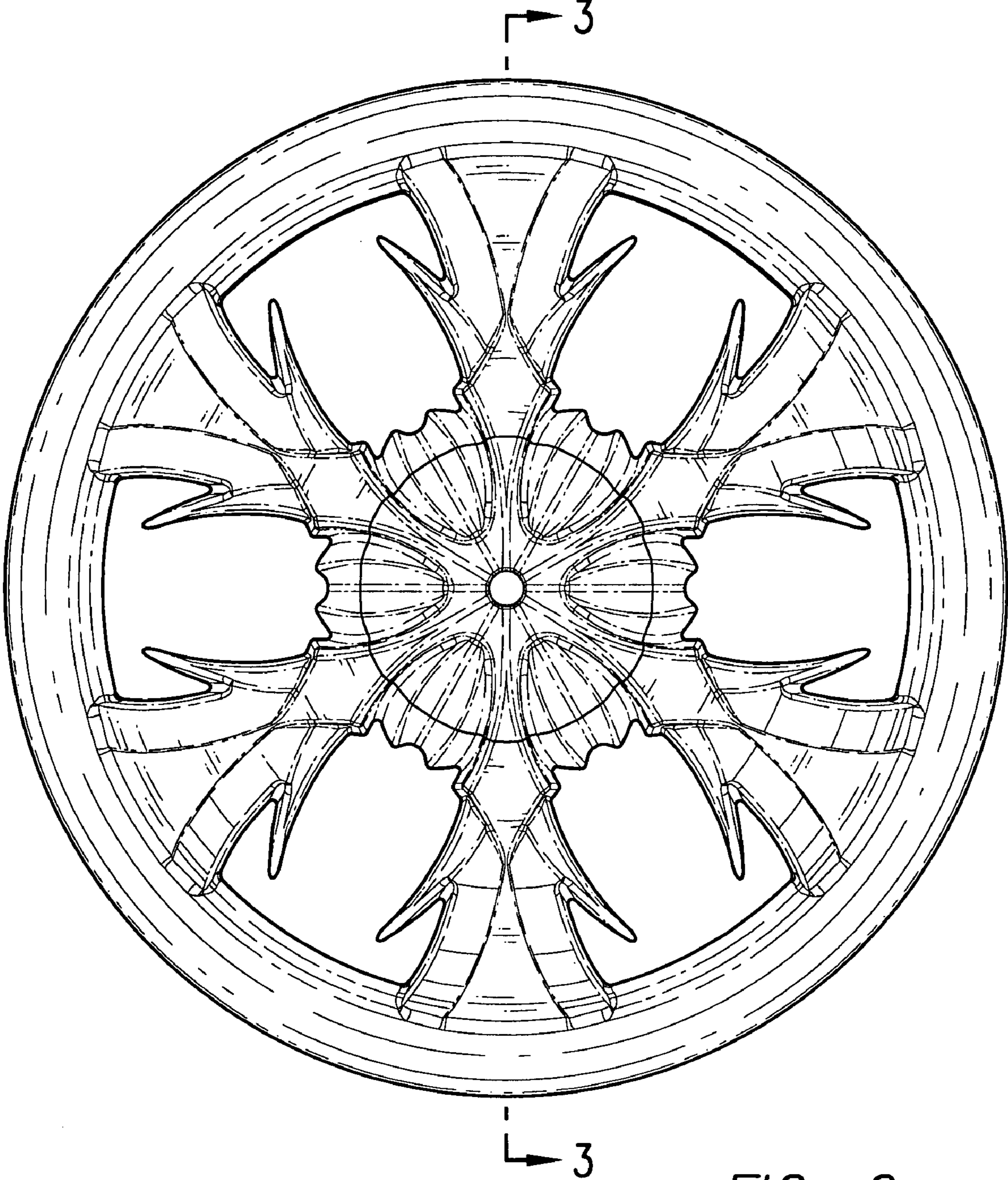


FIG. 2

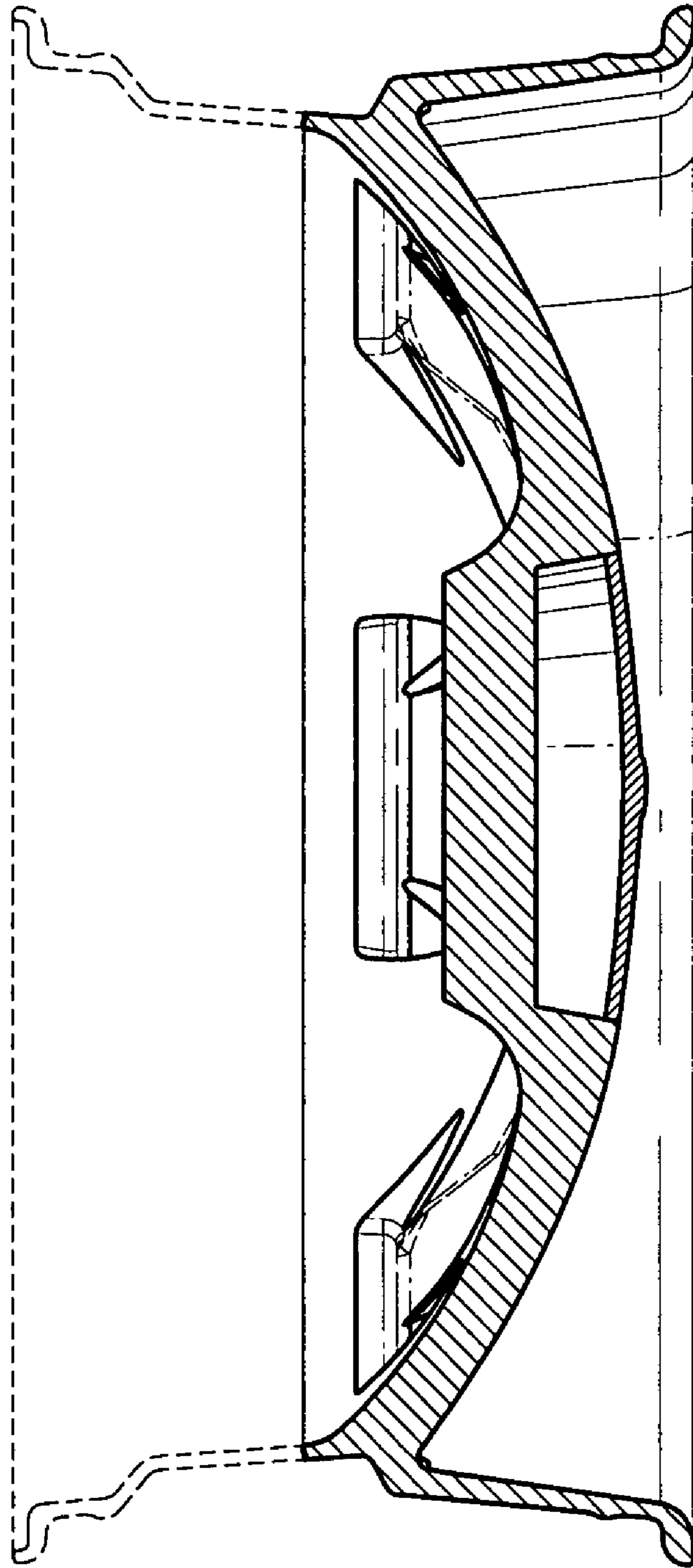


FIG. 3