



US00D553058S

(12) **United States Design Patent**
Chen et al.

(10) **Patent No.:** **US D553,058 S**

(45) **Date of Patent:** **** Oct. 16, 2007**

(54) **SAFETY MULTI-BALL MOUNT**

(76) Inventors: **Raymond Chen**, 10F-3, No. 8, Lane 253, Sec. 1, Fu-Hsin S. Road, Taipei (TW); **Chuan-Tsai Tung**, No. 17-7, Guo-Hwa St., Westside, Jia-Yi (TW)

(**) Term: **14 Years**

(21) Appl. No.: **29/259,413**

(22) Filed: **May 9, 2006**

(51) **LOC (8) Cl.** **12-16**

(52) **U.S. Cl.** **D12/162**

(58) **Field of Classification Search** D12/106, D12/115, 116, 161, 162, 199; 280/402, 403, 280/404, 405.1, 405.2, 407, 407.1, 416.2, 280/455.1, 491.5, 186, 433, 434, 438 R
See application file for complete search history.

(56) **References Cited**

U.S. PATENT DOCUMENTS

- 4,429,895 A * 2/1984 Hunter 280/490.1
- D293,229 S * 12/1987 Smith D12/162
- D369,771 S * 5/1996 Murphy et al. D12/162
- D401,195 S * 11/1998 Chimenti D12/162
- 5,975,553 A * 11/1999 Van Vleet 280/483

- 6,341,795 B1 * 1/2002 Zerkel 280/490.1
- D508,221 S * 8/2005 Rebick D12/162
- 2003/0132605 A1 * 7/2003 Wiers 280/468

* cited by examiner

Primary Examiner—Doris Clark

Assistant Examiner—Michael A. Pratt

(74) *Attorney, Agent, or Firm*—Birch, Stewart, Kolasch & Birch, LLP

(57) **CLAIM**

The ornamental design for safety multi-ball mount, as shown and described.

DESCRIPTION

FIG. 1 is a perspective view of safety multi-ball mount showing my new design;

FIG. 2 is a front elevational view thereof;

FIG. 3 is a rear elevational view thereof;

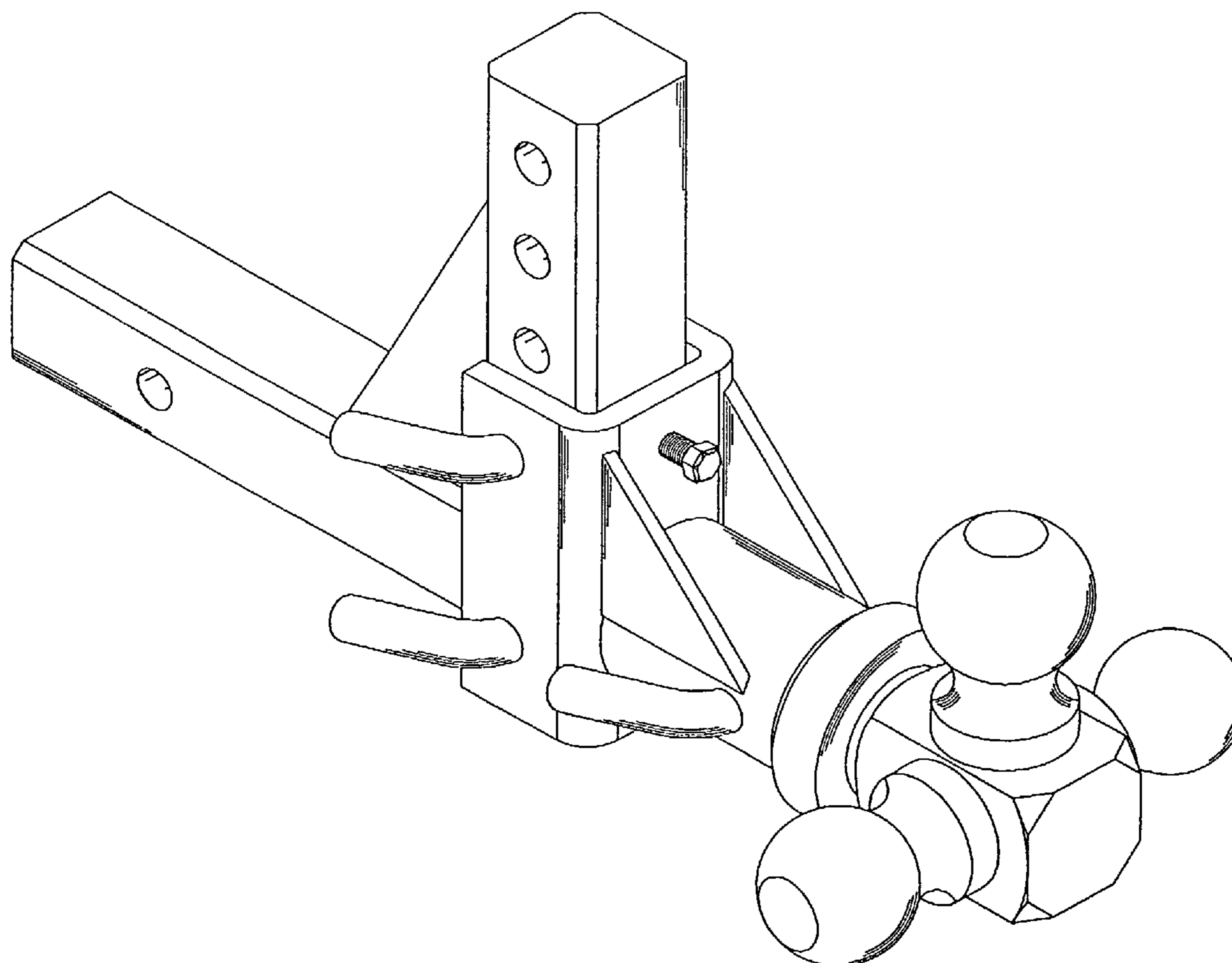
FIG. 4 is a left elevational view thereof;

FIG. 5 is a right elevational view thereof;

FIG. 6 is a top view thereof; and,

FIG. 7 is a bottom view.

1 Claim, 7 Drawing Sheets



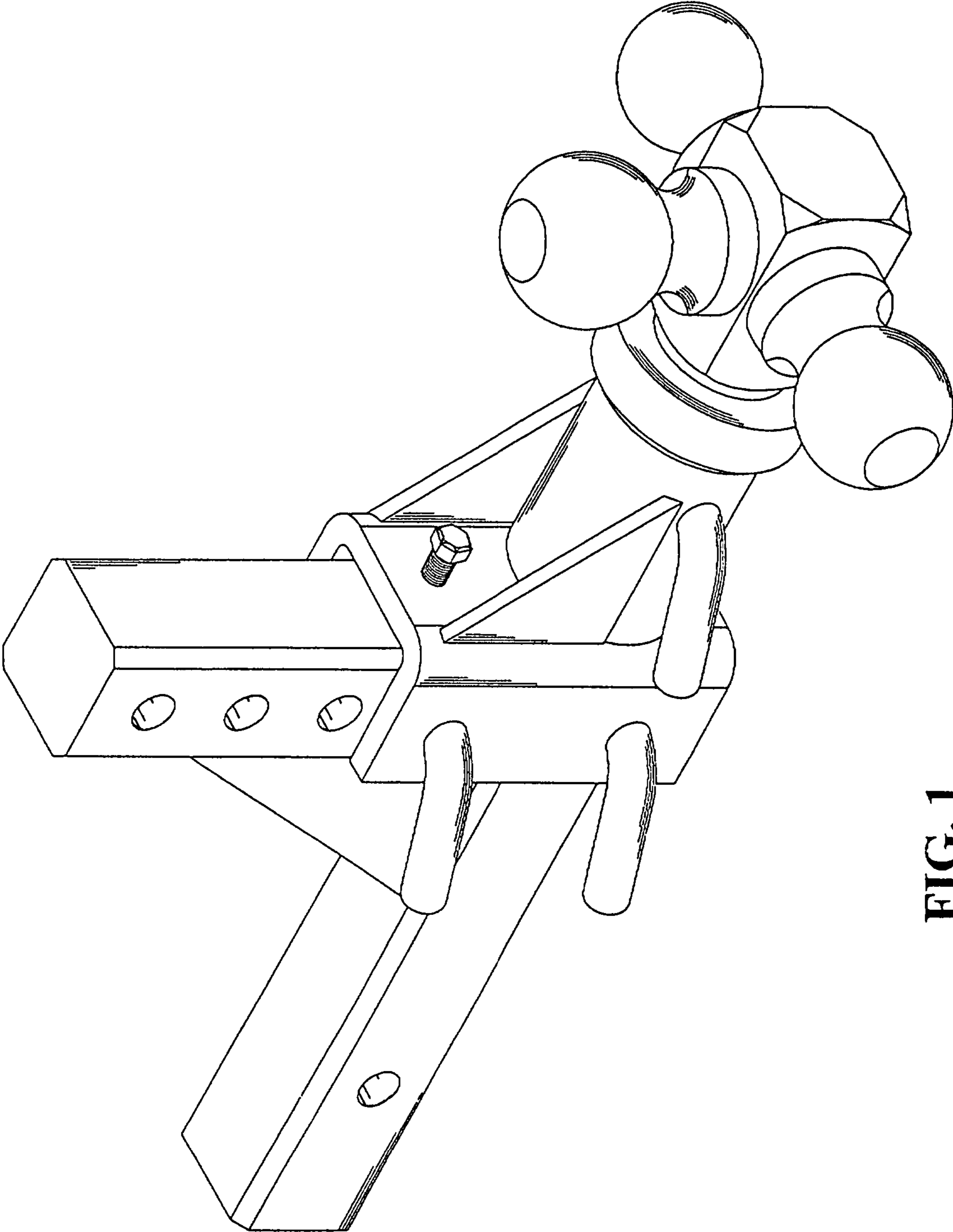


FIG. 1

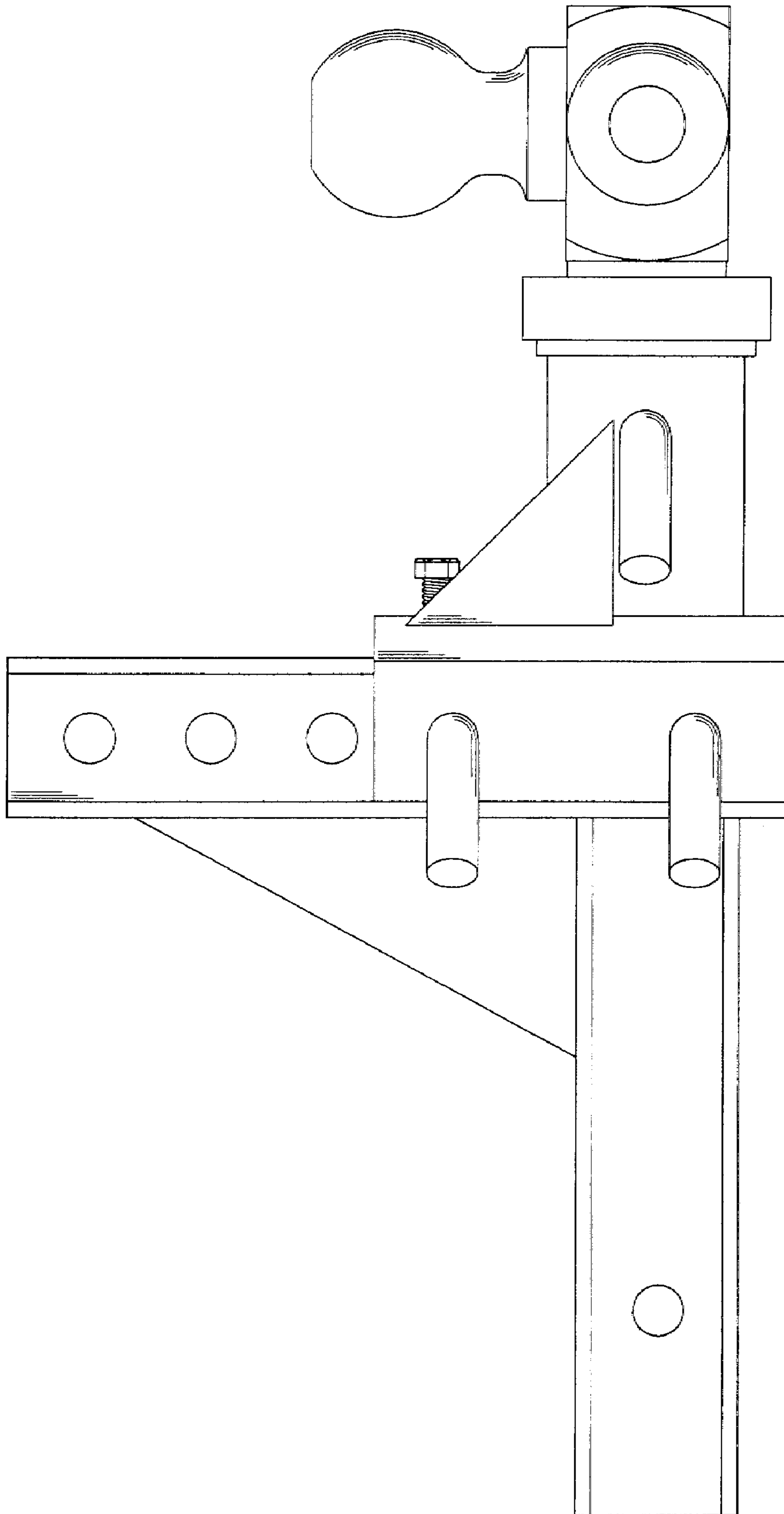


FIG. 2

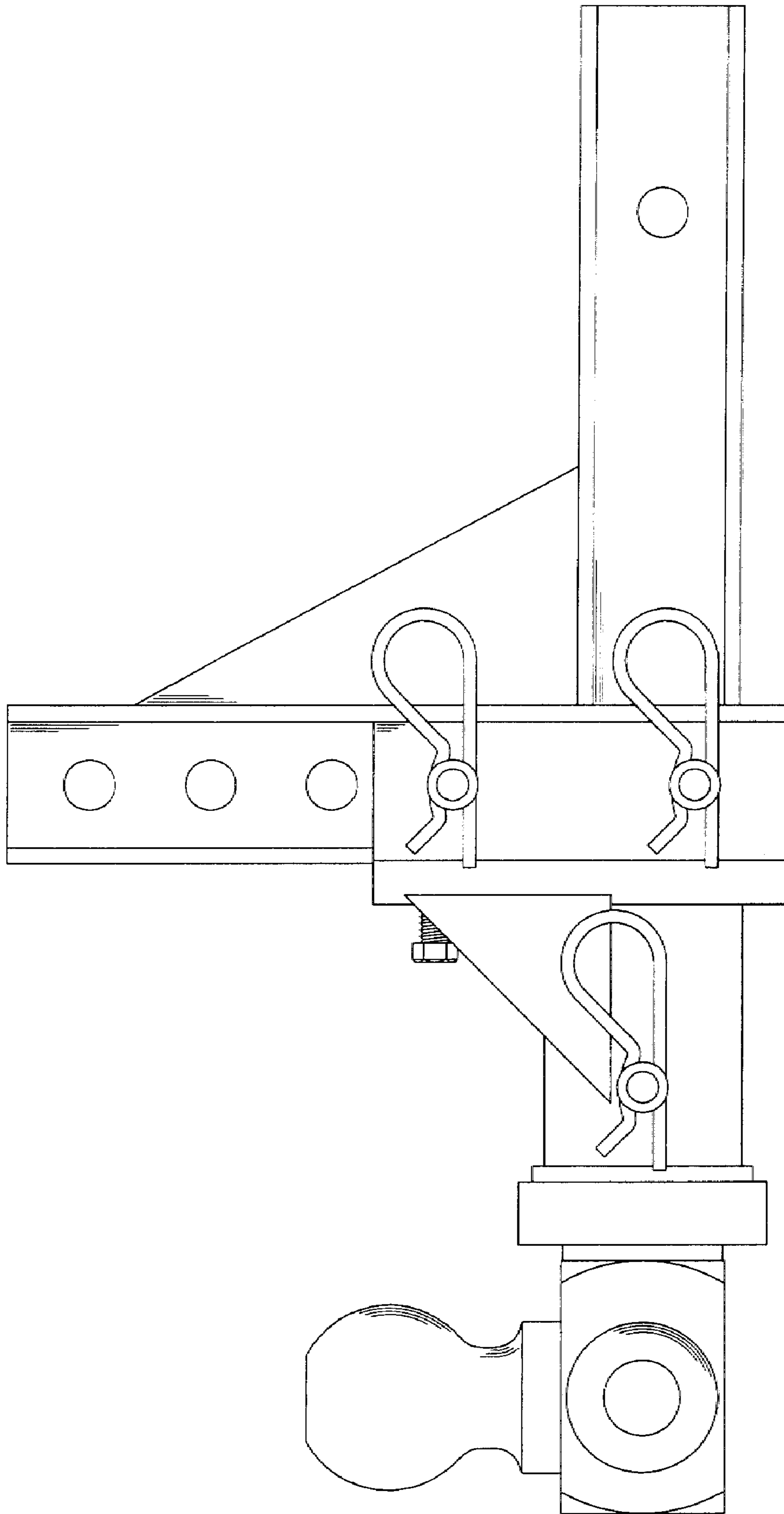


FIG. 3

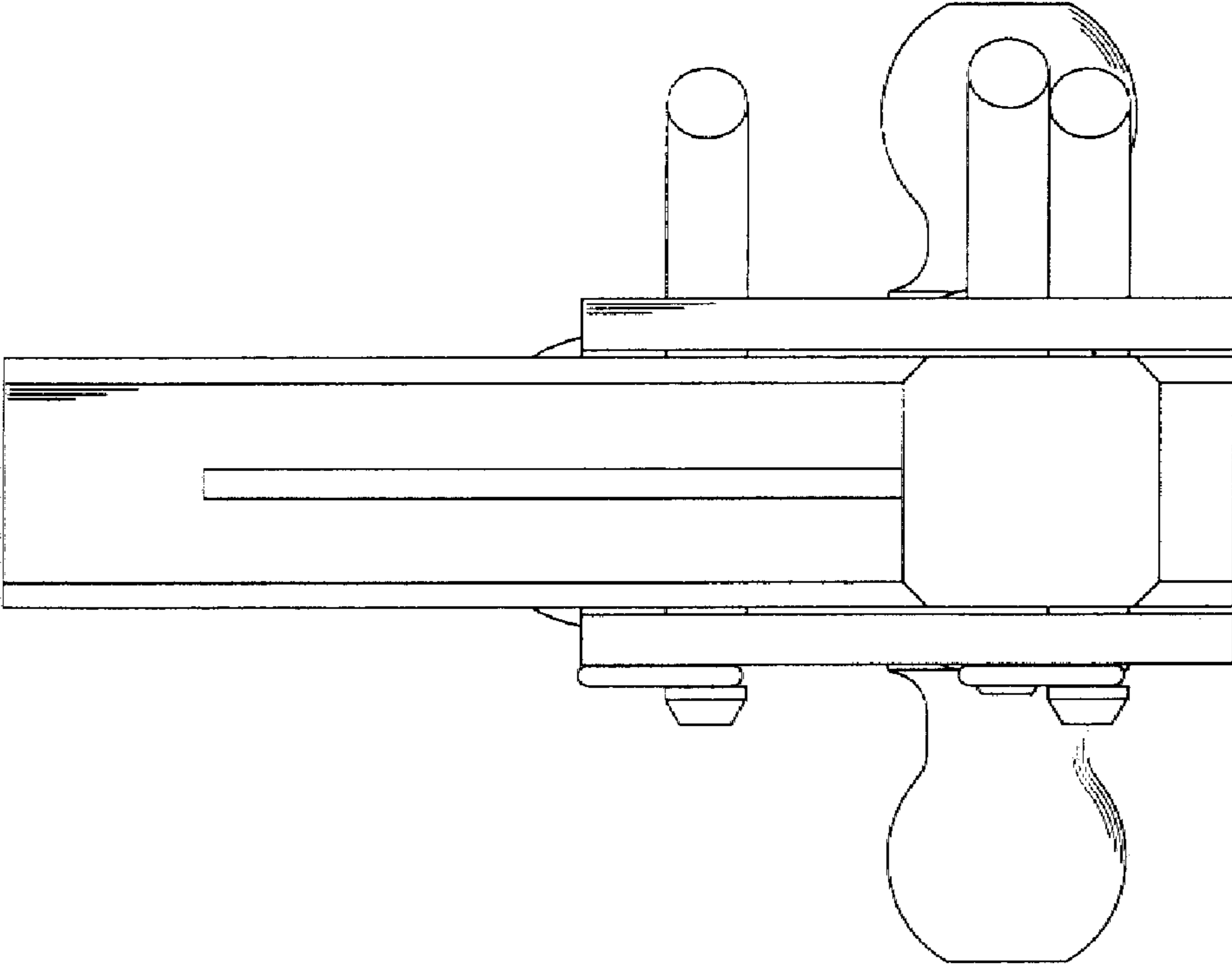


FIG. 4

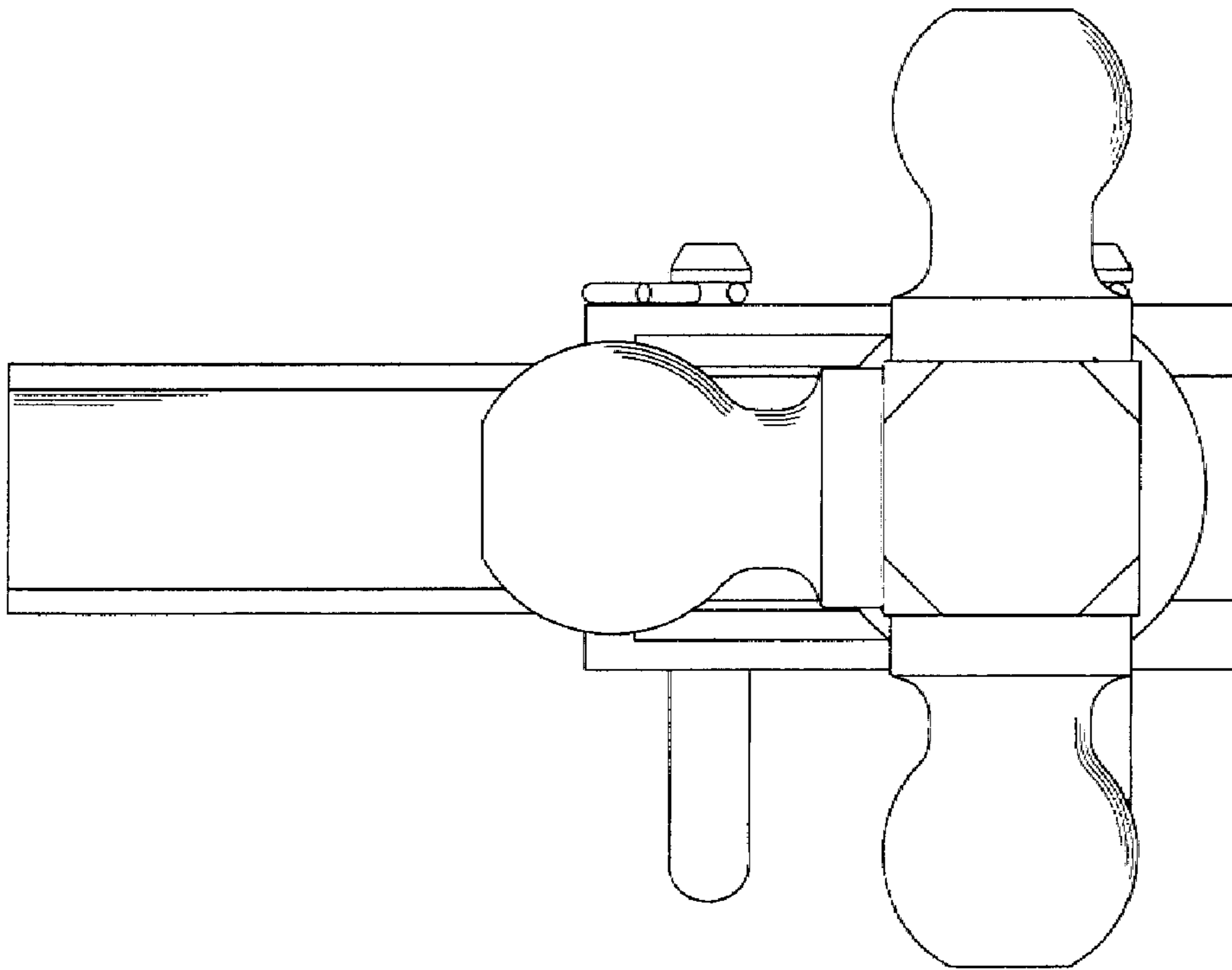


FIG. 5

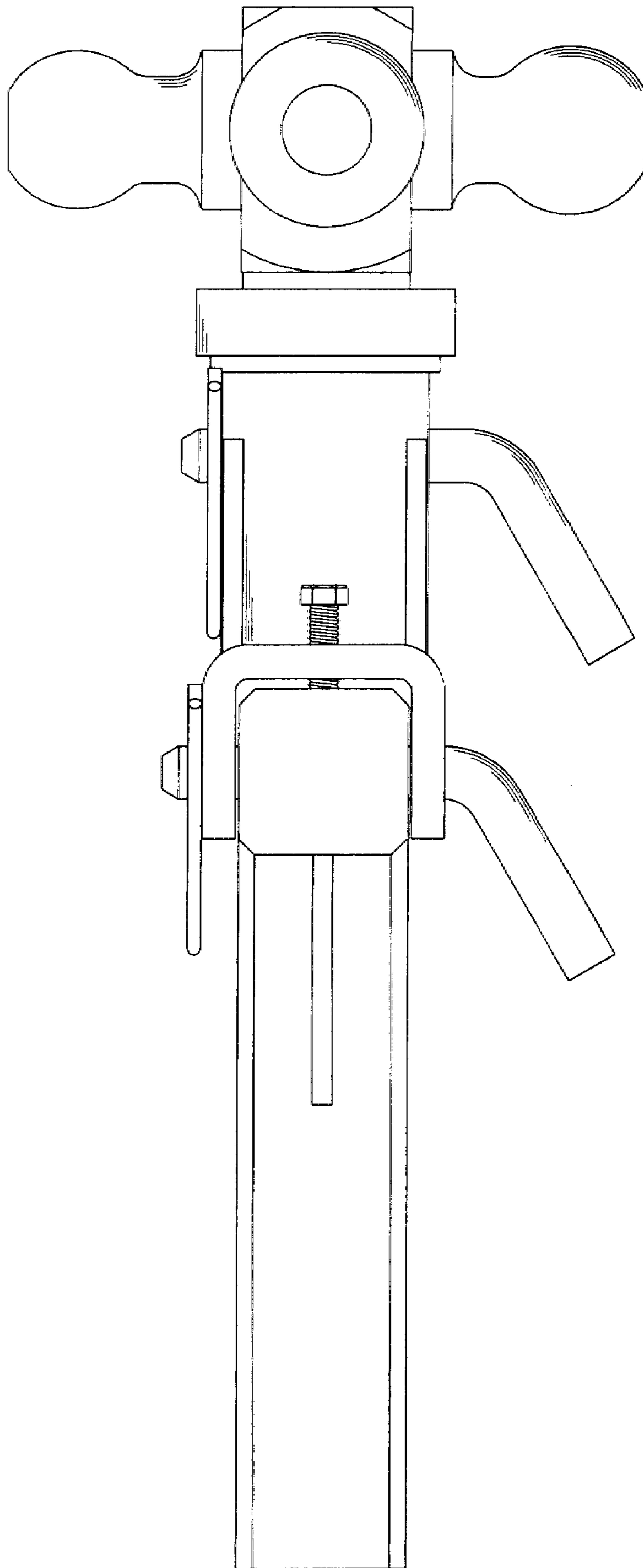


FIG. 6

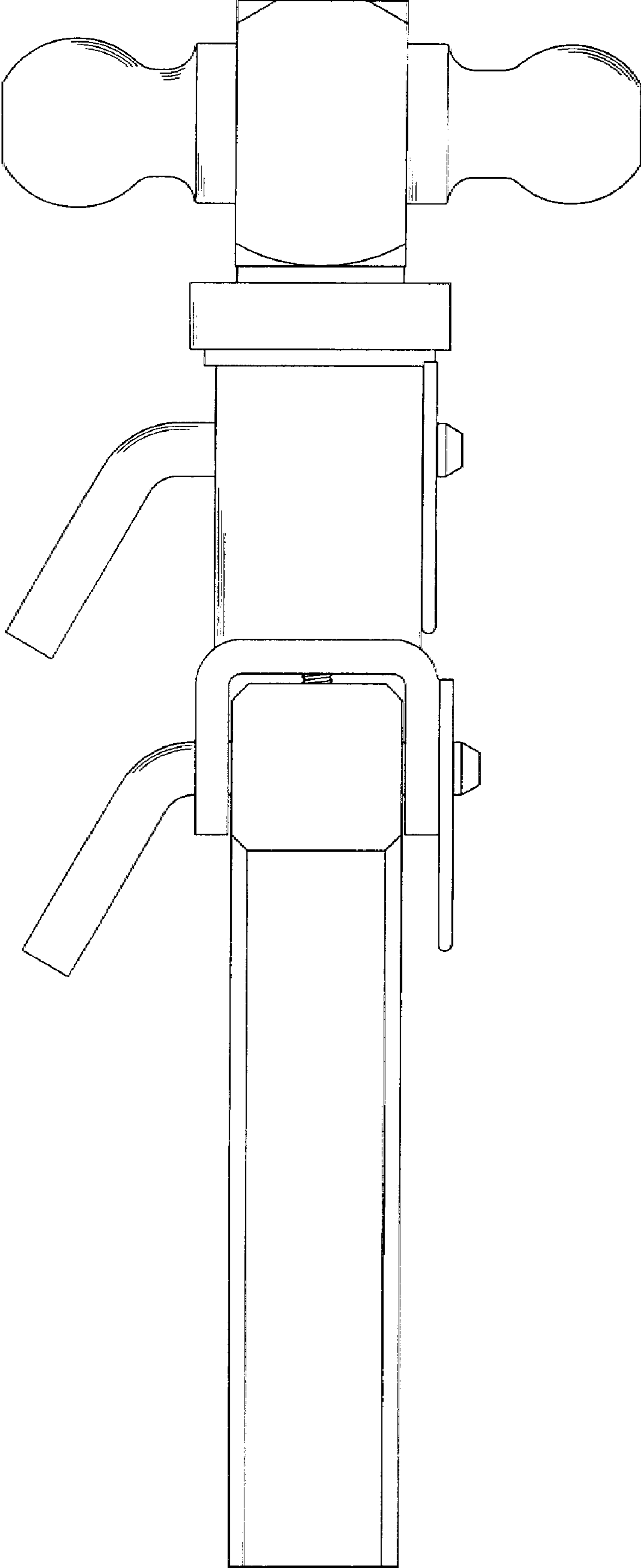


FIG. 7