



US00D553057S

(12) **United States Design Patent**
Quernemoen

(10) **Patent No.:** **US D553,057 S**

(45) **Date of Patent:** **** Oct. 16, 2007**

(54) **PINTLE HITCH GUARD**

(75) Inventor: **Loren Quernemoen**, 1224 Van Dyke Rd., Alexandria, MN (US) 56308

(73) Assignee: **Loren Quernemoen**, Alexandria, MN (US)

(**) Term: **14 Years**

(21) Appl. No.: **29/244,398**

(22) Filed: **Dec. 7, 2005**

(51) **LOC (8) Cl.** **12-16**

(52) **U.S. Cl.** **D12/162**

(58) **Field of Classification Search** D12/159-162;
D20/10; D24/155, 193-199; D26/28, 31,
D26/34; 40/200, 204, 205, 209, 211, 575,
40/590, 591; 600/38; 224/522, 524, 527;
280/415.1, 511, 416.1, 468, 469, 470, 478.1,
280/416.4, 483, 484, 485, 486, 490.1, 493,
280/494, 495, 507, 727, 769; D8/1, 16, 28,
D8/344, 330, 367

See application file for complete search history.

(56) **References Cited**

U.S. PATENT DOCUMENTS

4,379,569 A * 4/1983 Koch 280/511
D437,282 S * 2/2001 Joll D12/223

7,192,046 B1 * 3/2007 Quernemoen 280/514
2002/0101055 A1 * 8/2002 Warren 280/504

* cited by examiner

Primary Examiner—Doris Clark

Assistant Examiner—Michael A. Pratt

(74) *Attorney, Agent, or Firm*—Marsh Fischmann & Breyfogle LLP

(57) **CLAIM**

The ornamental design for the pintle hitch guard, as shown and described.

DESCRIPTION

FIG. 1 is a top perspective view of the pintle hitch guard, shown in use;

FIG. 2 is a bottom perspective view of the pintle hitch guard;

FIG. 3 is a front view of the pintle hitch guard;

FIG. 4 is a back view of the pintle hitch guard;

FIG. 5 is a right side view of the pintle hitch guard;

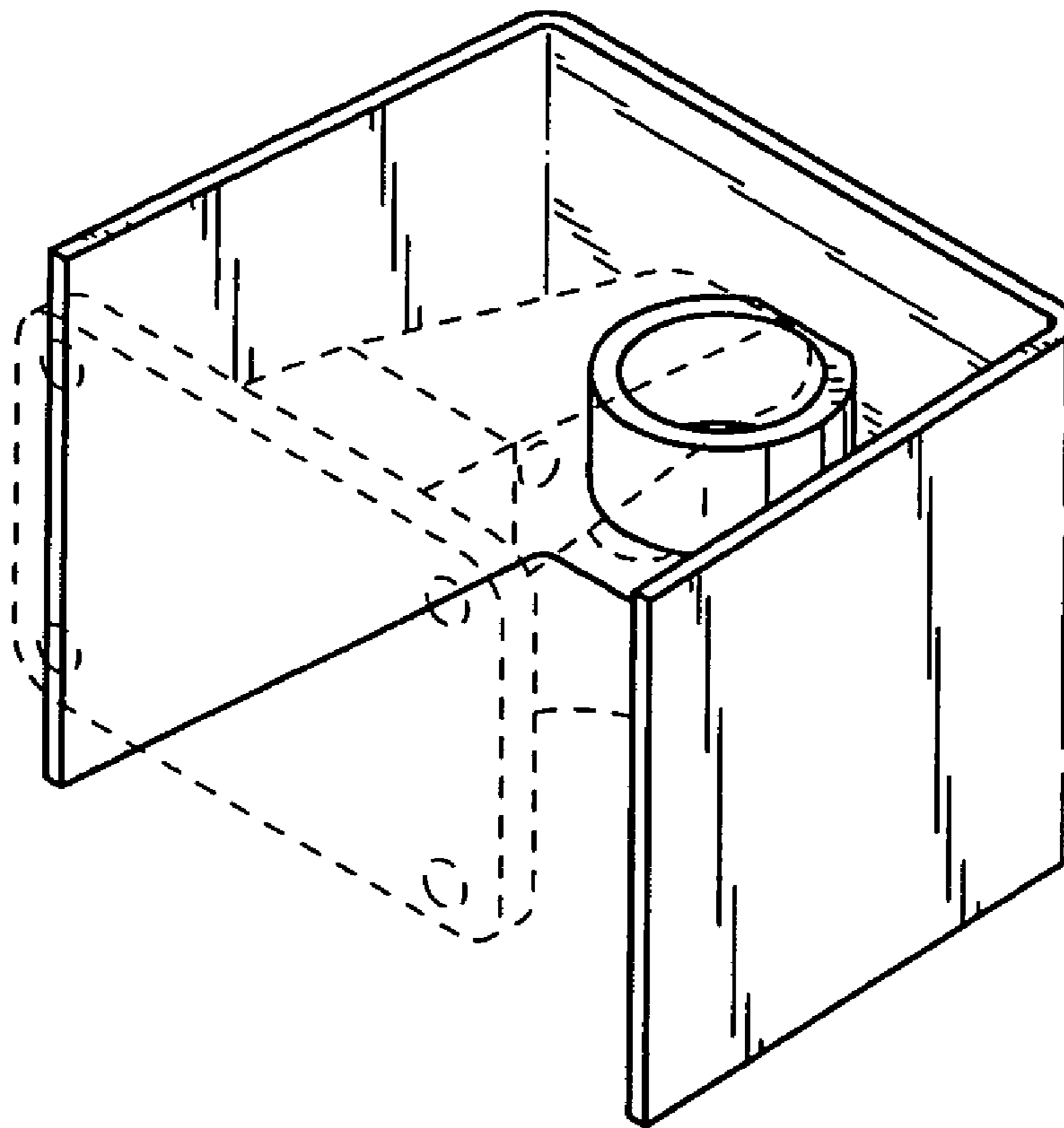
FIG. 6 is a left side view of the pintle hitch guard;

FIG. 7 is a top view of the pintle hitch guard; and,

FIG. 8 is a bottom view of a pintle hitch guard.

The broken line showing of a pintle hitch is for illustrative purposes only and forms no part of the claimed design.

1 Claim, 4 Drawing Sheets



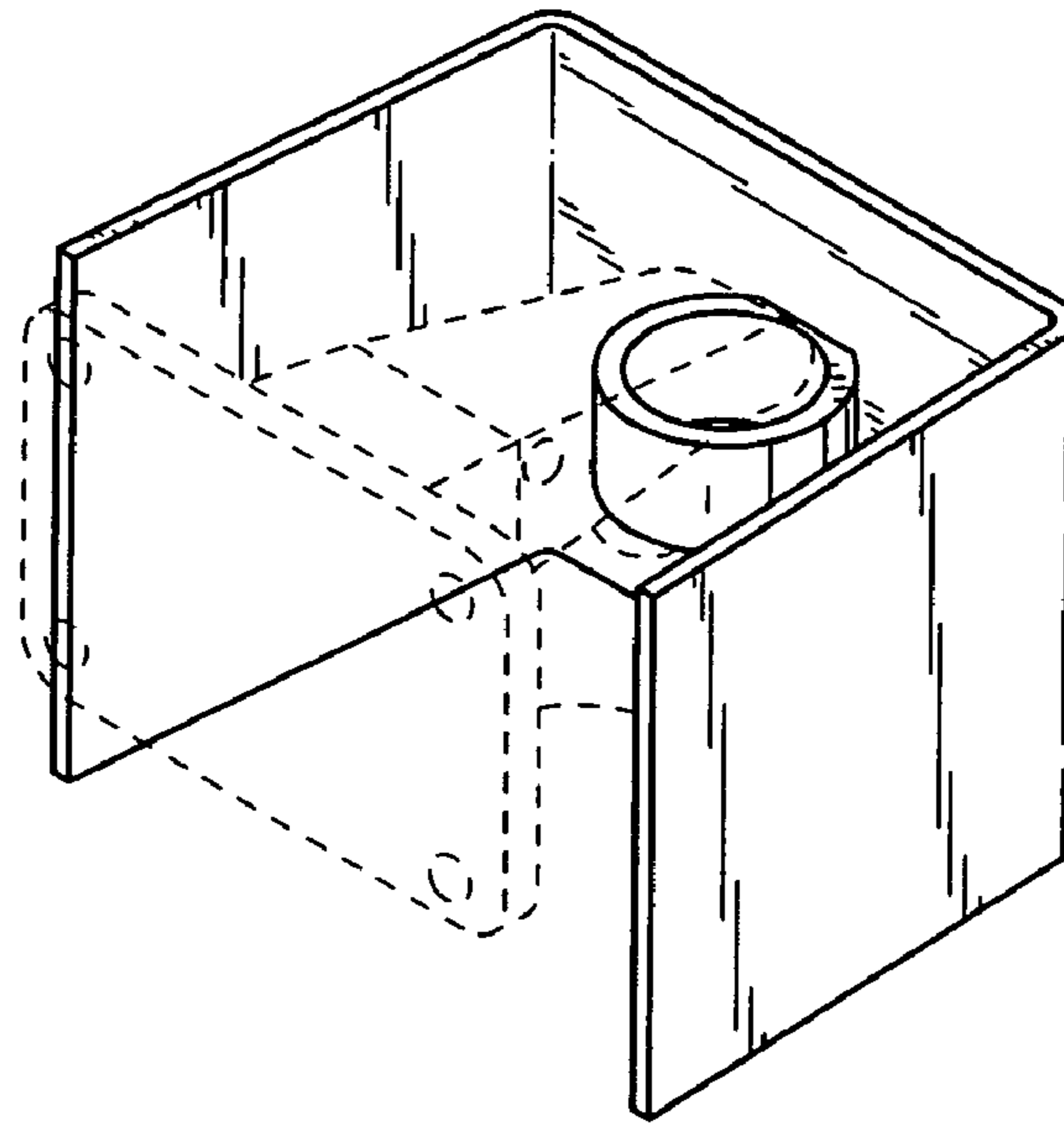


FIG. 1

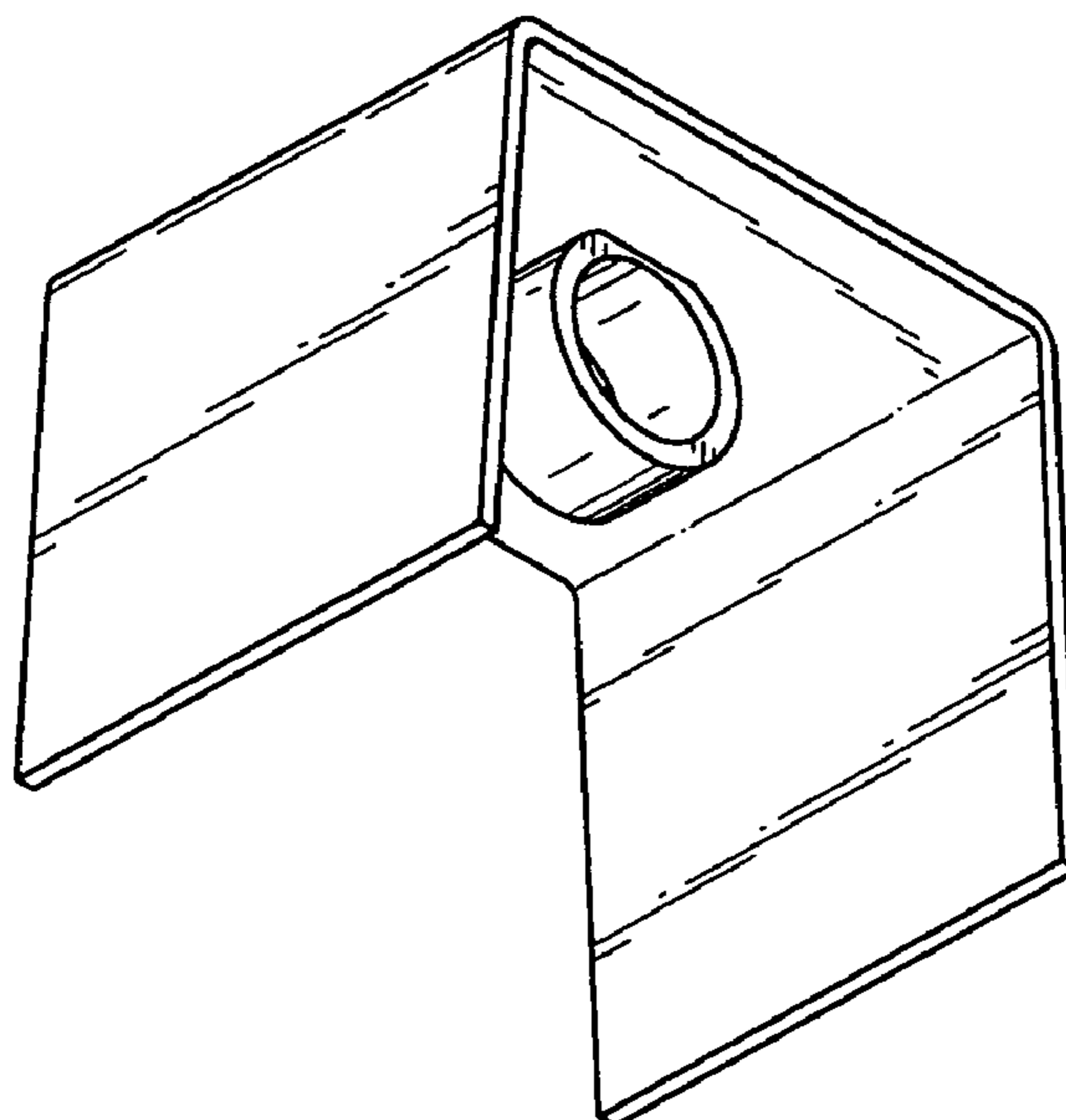


FIG. 2

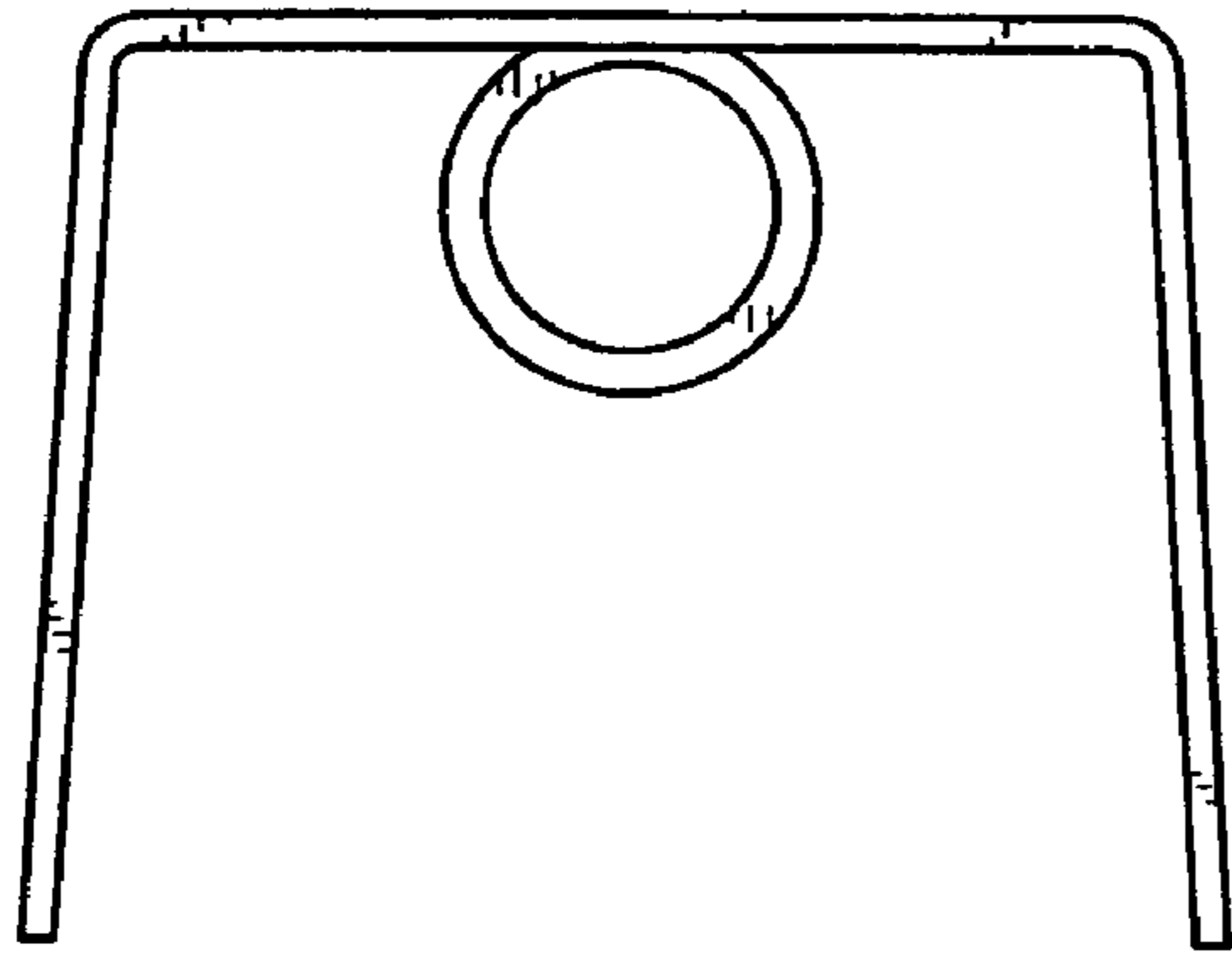


FIG.3

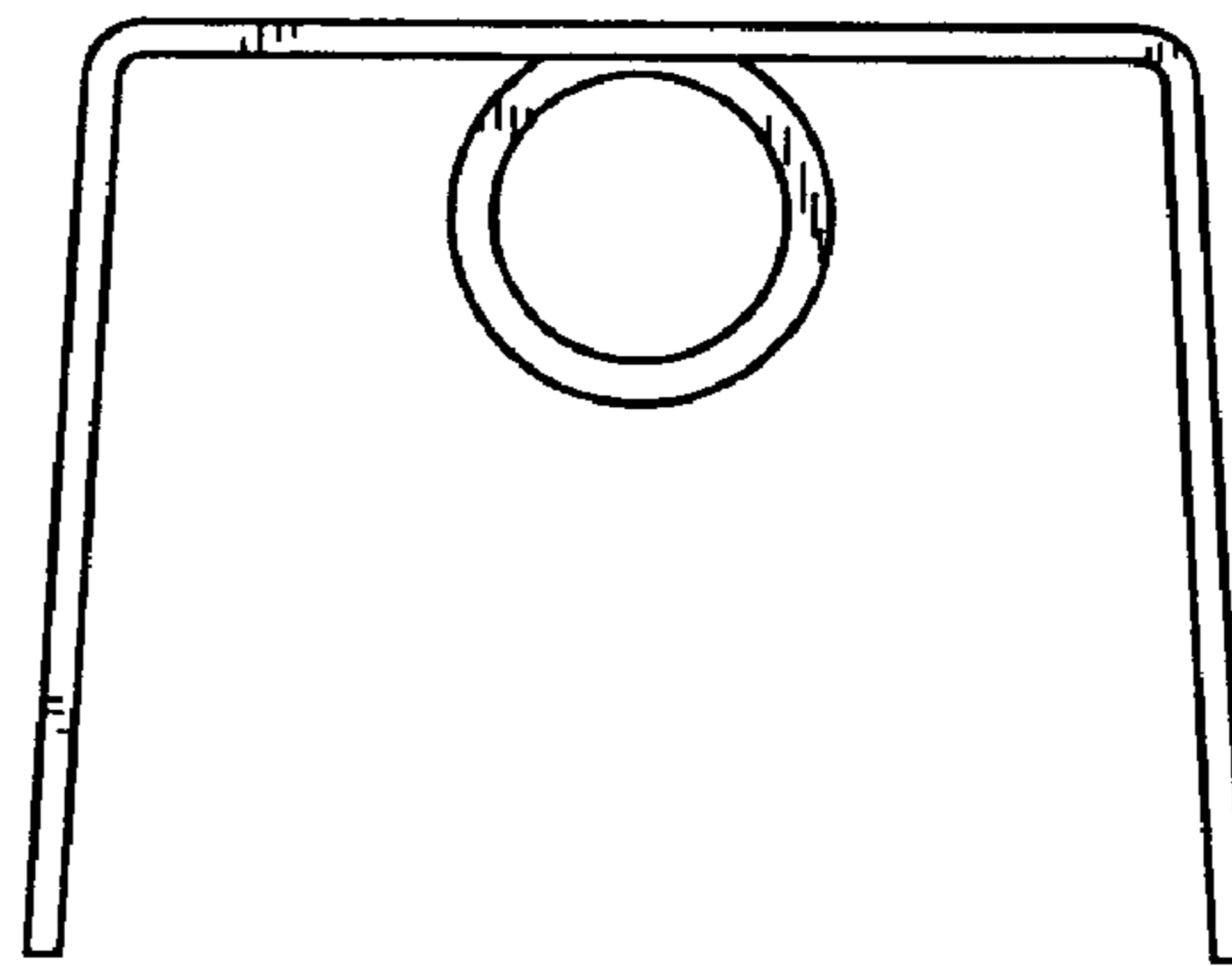


FIG.4

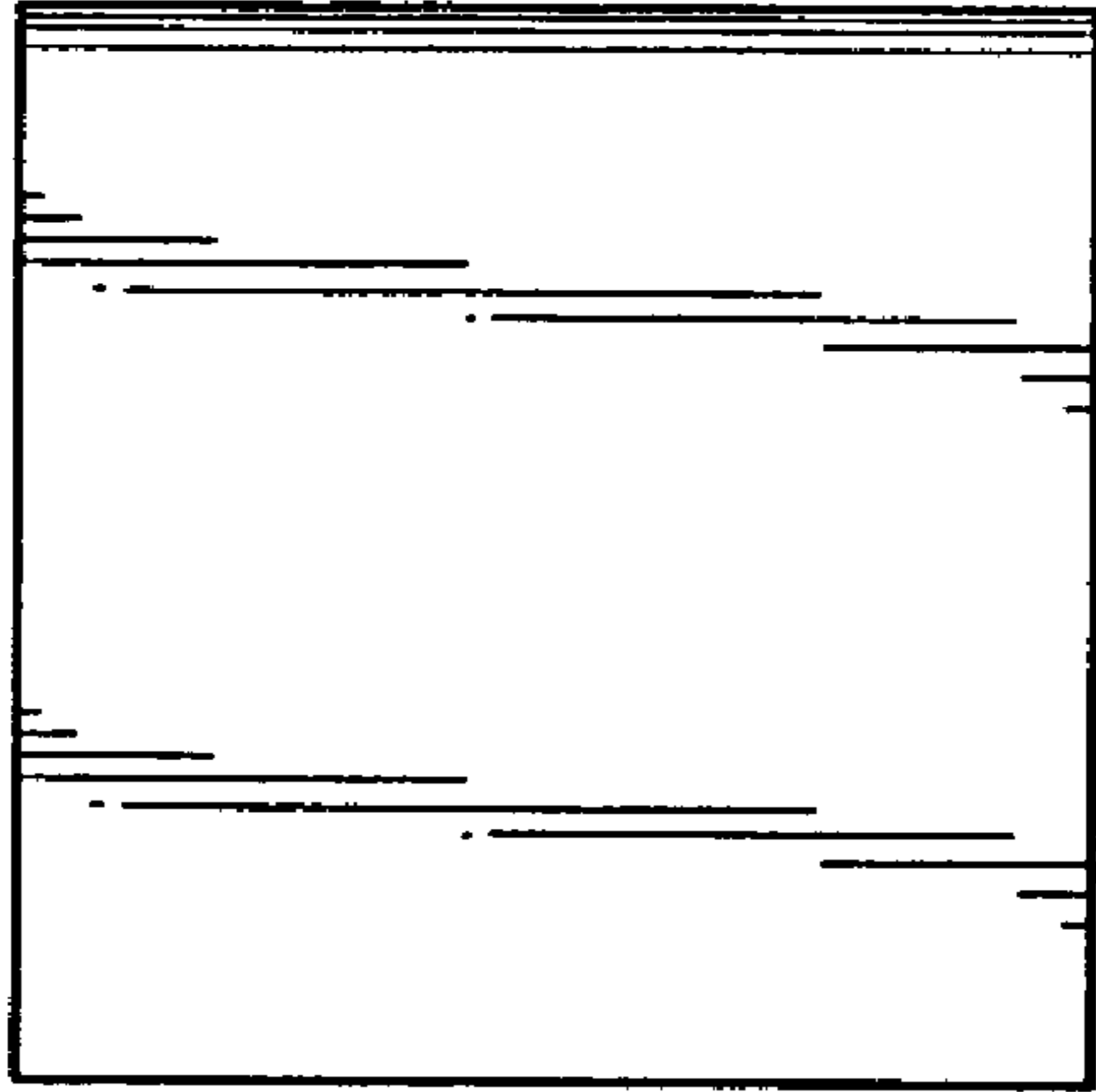


FIG. 5

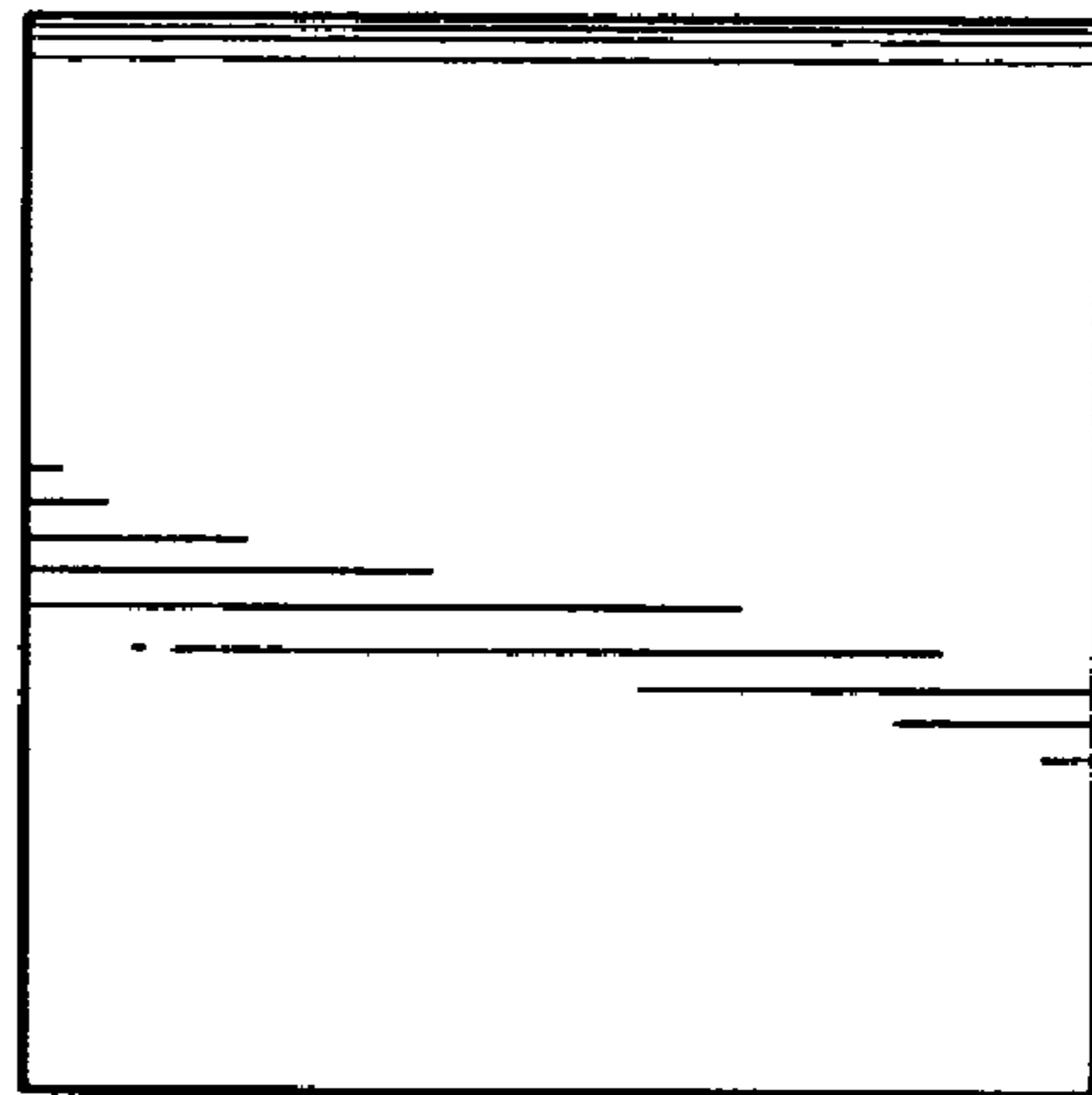


FIG. 6

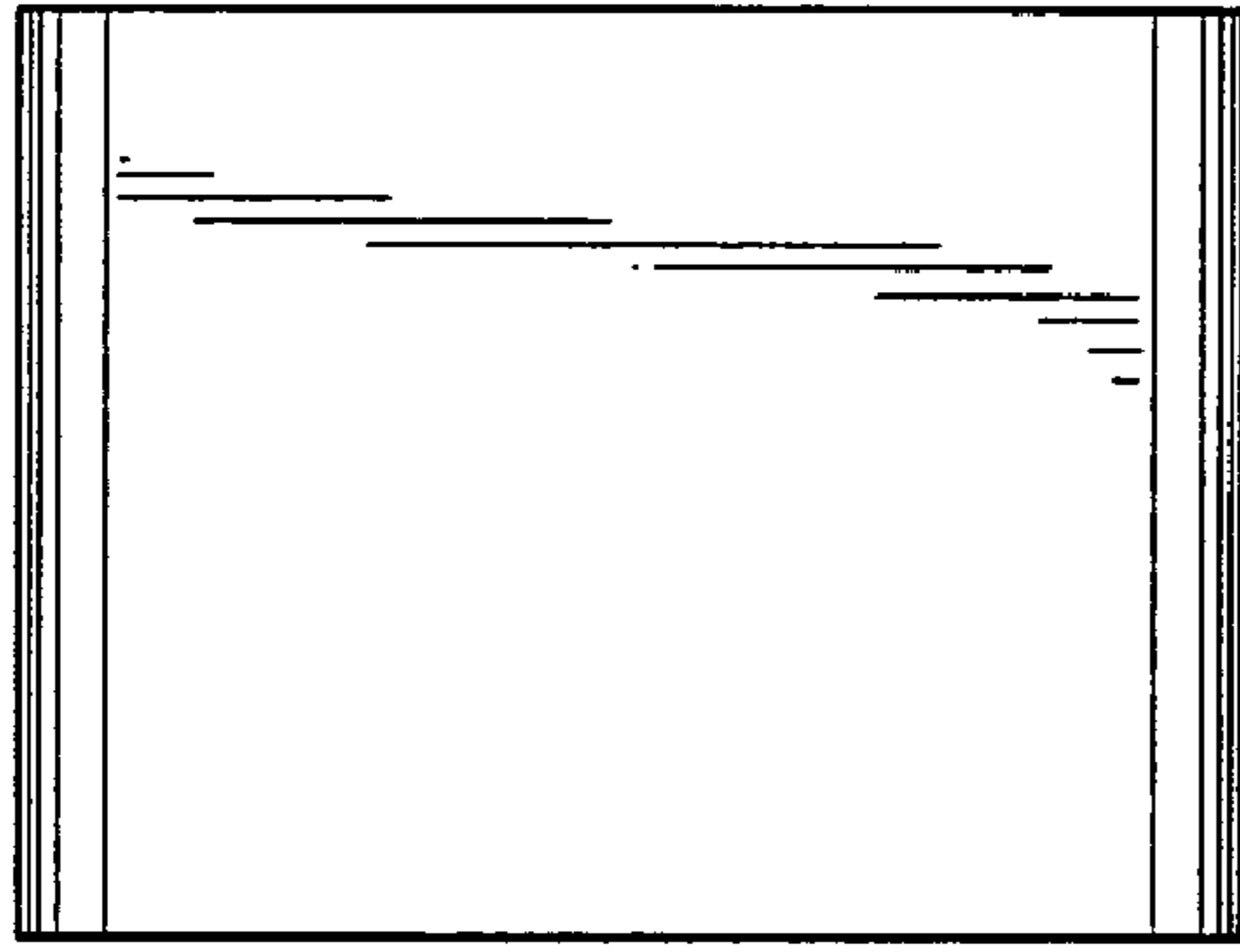


FIG. 7

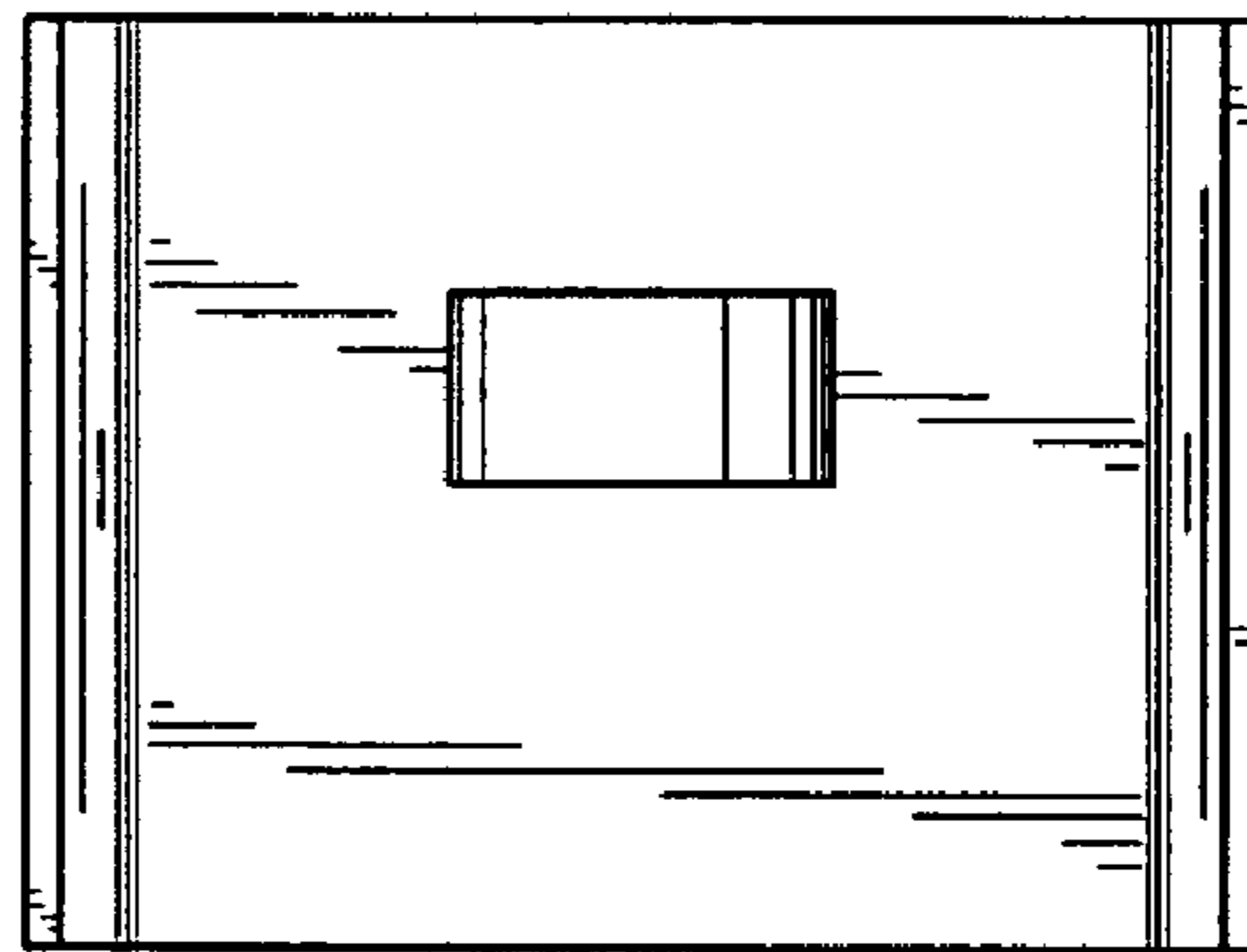


FIG. 8