



US00D553056S

(12) **United States Design Patent**  
**Eberle**

(10) **Patent No.:** **US D553,056 S**

(45) **Date of Patent:** **\*\* Oct. 16, 2007**

(54) **HITCH BAR ADAPTER**

(76) Inventor: **Ralph Eberle**, W. 9722 County U,  
Elcho, WI (US) 54428

(\*\*) Term: **14 Years**

(21) Appl. No.: **29/207,919**

(22) Filed: **Jun. 22, 2004**

(51) **LOC (8) Cl.** ..... **12-16**

(52) **U.S. Cl.** ..... **D12/162**

(58) **Field of Classification Search** ..... D12/106,  
D12/161, 162, 199, 400; 280/186, 402-404,  
280/405.1, 405.2, 407, 407.1, 416.2, 455.1,  
280/433, 434, 438 R, 491.5; D9/441, 451;  
D29/102-104, 106; 86/10, 12, 18, 19.5,  
86/55; D22/115, 116

See application file for complete search history.

(56) **References Cited**

U.S. PATENT DOCUMENTS

4,280,713 A \* 7/1981 Bruhn ..... 280/416.1

4,729,571 A \* 3/1988 Tienstra ..... 280/416.1  
6,837,510 B1 \* 1/2005 Karls ..... D12/162  
6,979,015 B1 \* 12/2005 Eberle ..... 280/416.1

\* cited by examiner

*Primary Examiner*—Doris Clark

*Assistant Examiner*—Michael Pratt

(57) **CLAIM**

I claim the ornamental design for an hitch bar adapter, as shown and described.

**DESCRIPTION**

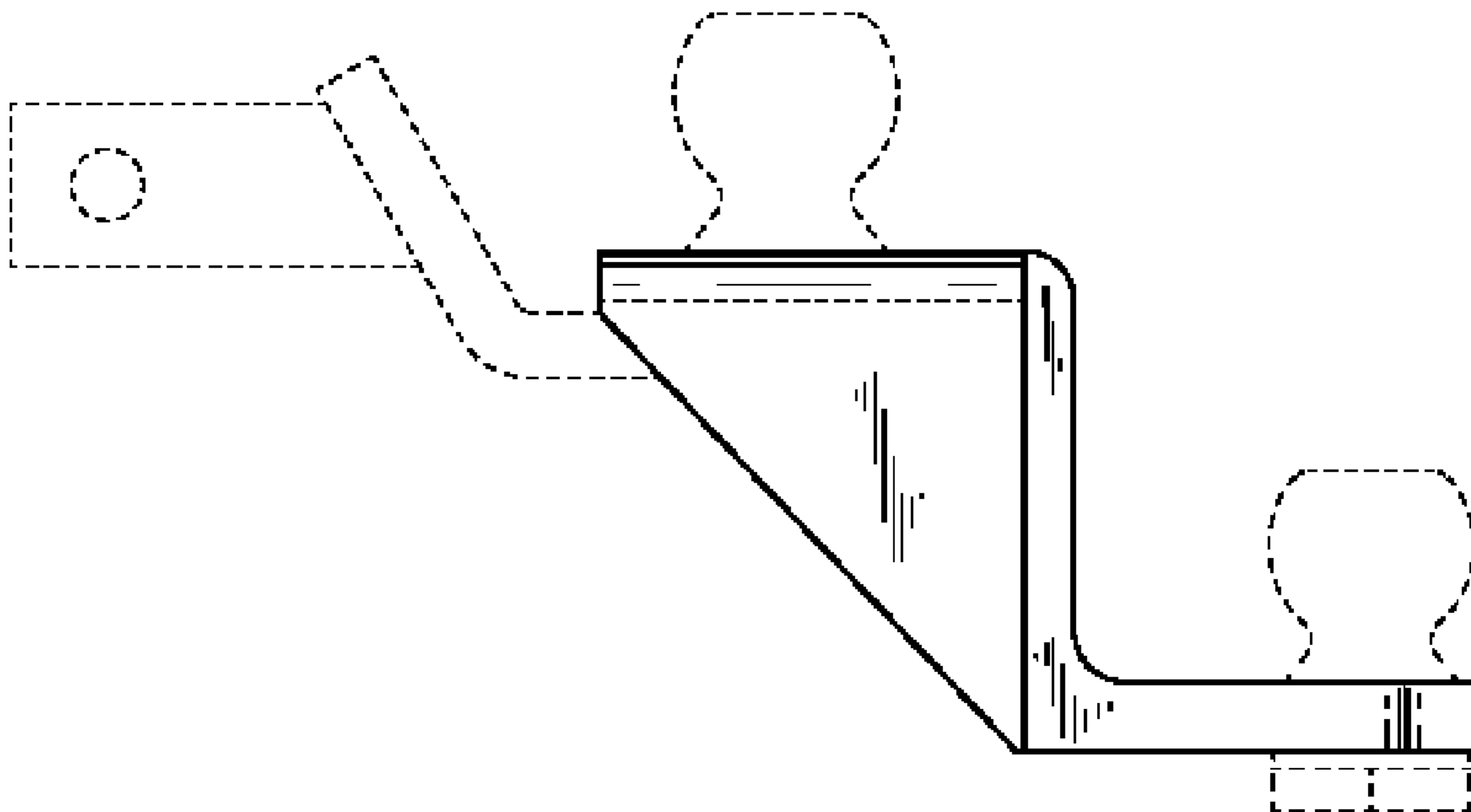
FIG. 1 is a side elevation view of a hitch bar adapter showing my new design;

FIG. 2 is a top plan view thereof; and,

FIG. 3 is a rear elevation view thereof.

The broken line showing portions of the hitch bar adapter is for illustrative purposes only and forms no part of the claimed design.

**1 Claim, 3 Drawing Sheets**



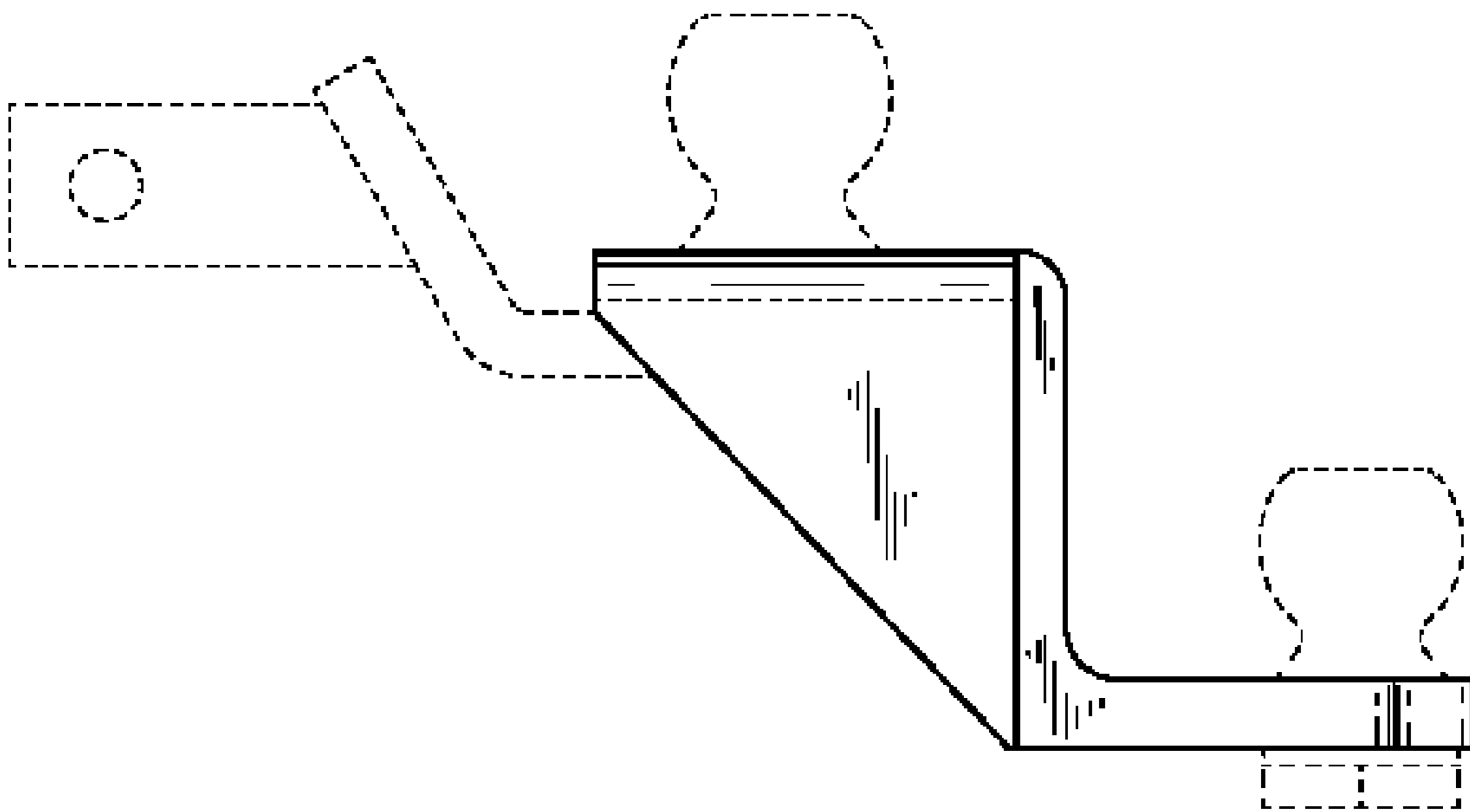
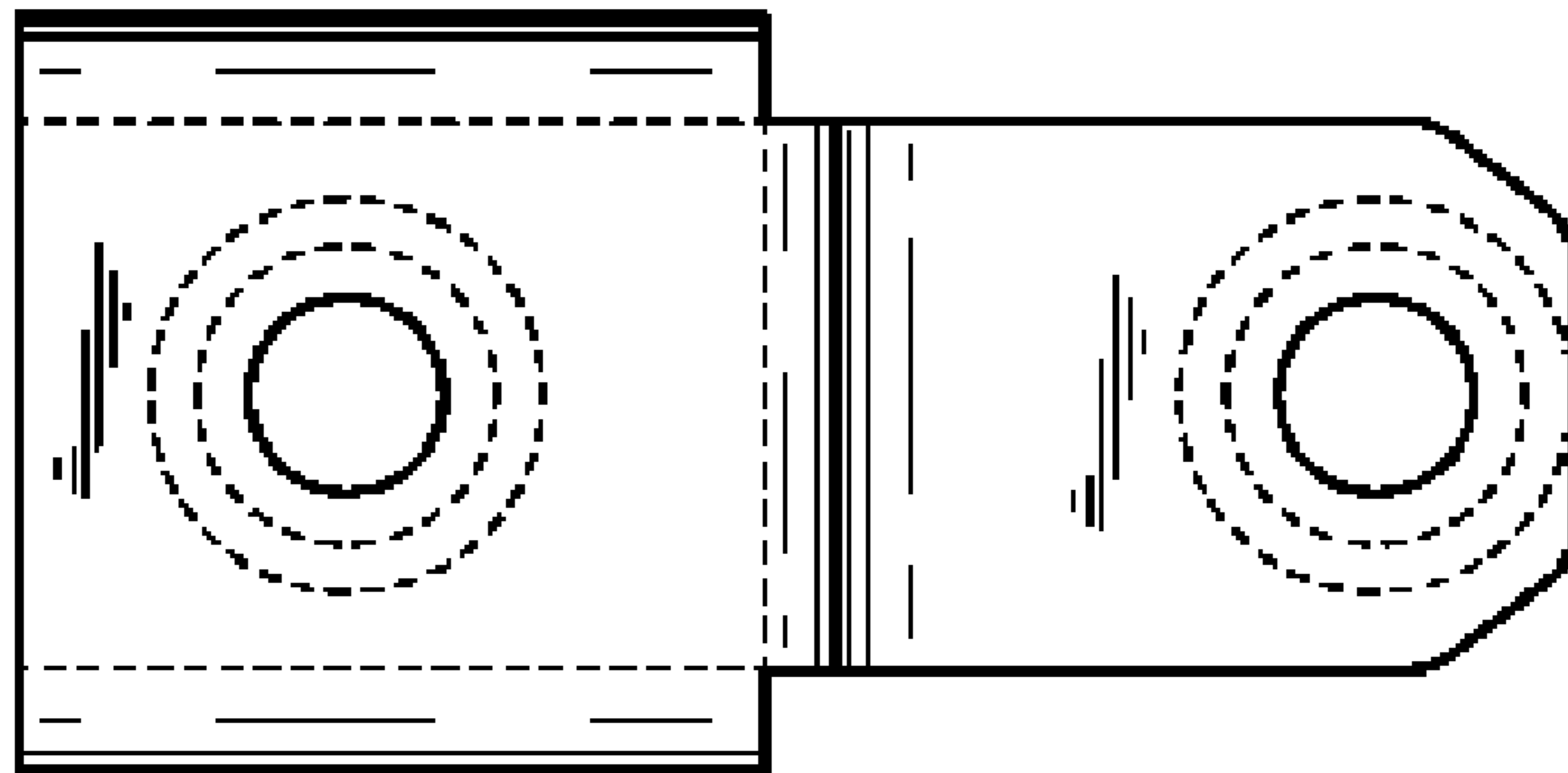
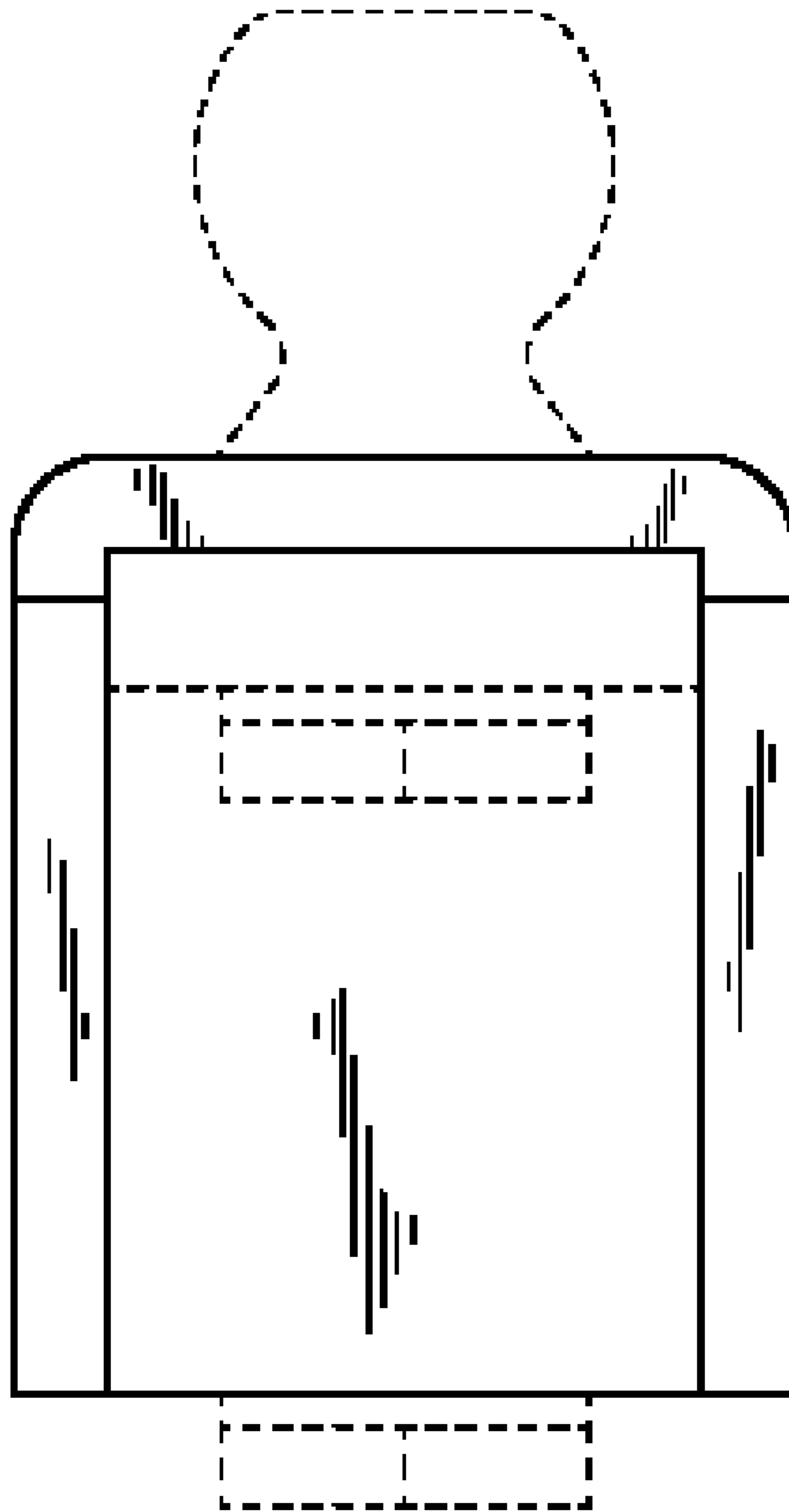


FIG. 1



**FIG. 2**



**FIG. 3**