



US00D553055S

(12) **United States Design Patent**
Tokumoto

(10) **Patent No.:** **US D553,055 S**

(45) **Date of Patent:** **** Oct. 16, 2007**

(54) **BICYCLE FRONT CHAIN WHEEL**

(74) *Attorney, Agent, or Firm*—Global IP Counselors, LLP

(75) **Inventor:** **Naoya Tokumoto, Sakai (JP)**

(57) **CLAIM**

(73) **Assignee:** **Shimano Inc., Osaka (JP)**

The ornamental design for a bicycle front chain wheel, as shown and described.

(**) **Term:** **14 Years**

(21) **Appl. No.:** **29/265,538**

DESCRIPTION

(22) **Filed:** **Sep. 5, 2006**

(51) **LOC (8) Cl.** **12-11**

(52) **U.S. Cl.** **D12/123**

(58) **Field of Classification Search** D12/111,
D12/123; 474/151, 152, 155–158, 160–162,
474/144, 164; 74/594.1, 594.2, 594.3, 594.4;
280/259, 260

See application file for complete search history.

FIG. 1 is an outside perspective view of a bicycle front chain wheel in accordance with my new design;

FIG. 2 is an outside elevational view of the bicycle front chain wheel in accordance with my new design;

FIG. 3 is an inside elevational view of the bicycle front chain wheel in accordance with my new design;

FIG. 4 is a right side elevational view of the bicycle front chain wheel in accordance with my new design;

FIG. 5 is a left side elevational view of the bicycle front chain wheel in accordance with my new design;

FIG. 6 is a top plan view of the bicycle front chain wheel in accordance with my new design; and,

FIG. 7 is a bottom plan view of the bicycle front chain wheel in accordance with my new design.

(56) **References Cited**

U.S. PATENT DOCUMENTS

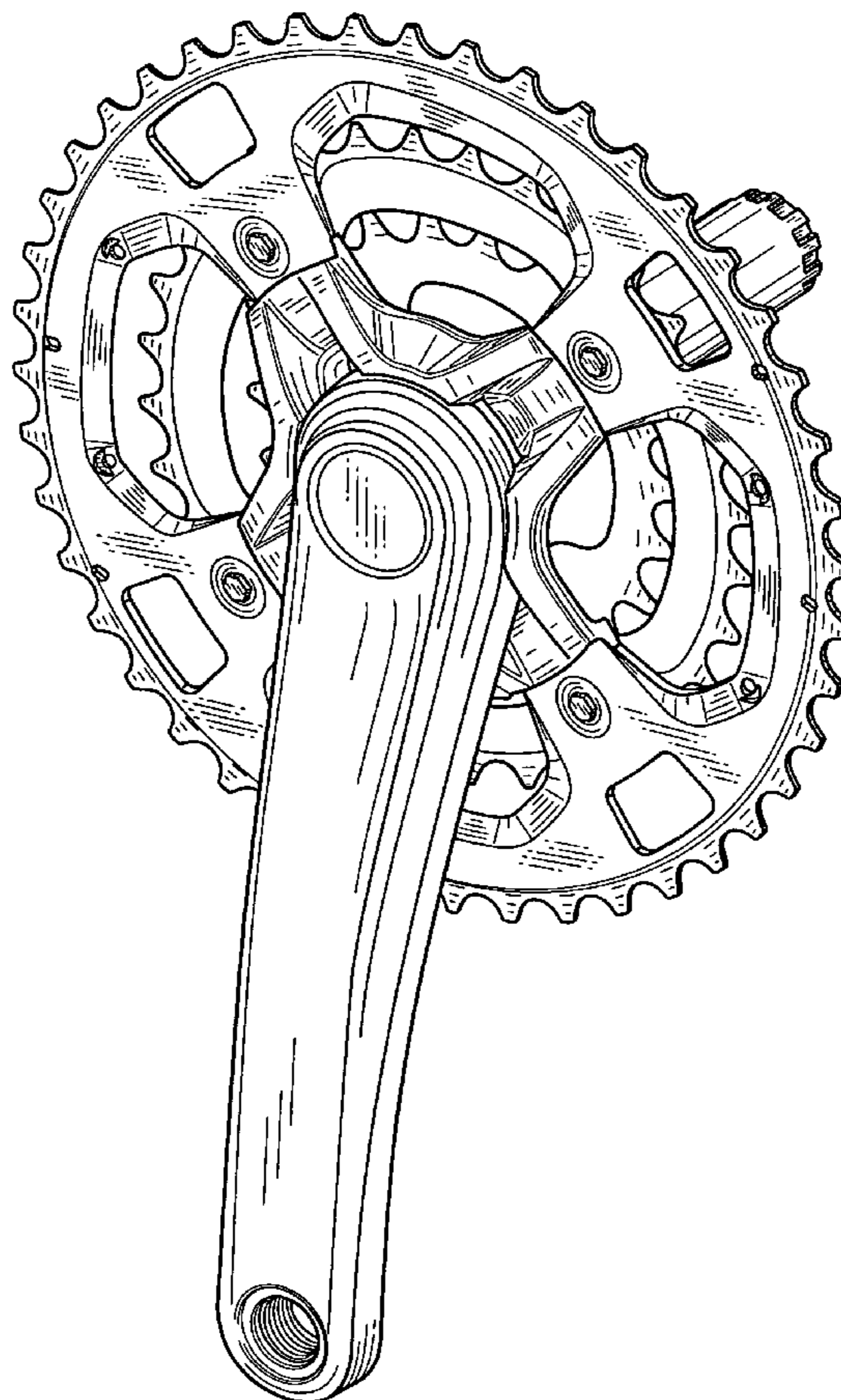
D532,342 S * 11/2006 Arakawa D12/123
2003/0073531 A1 * 4/2003 Tseng 474/160

* cited by examiner

Primary Examiner—Alan P. Douglas

Assistant Examiner—Linda Brooks

1 Claim, 7 Drawing Sheets



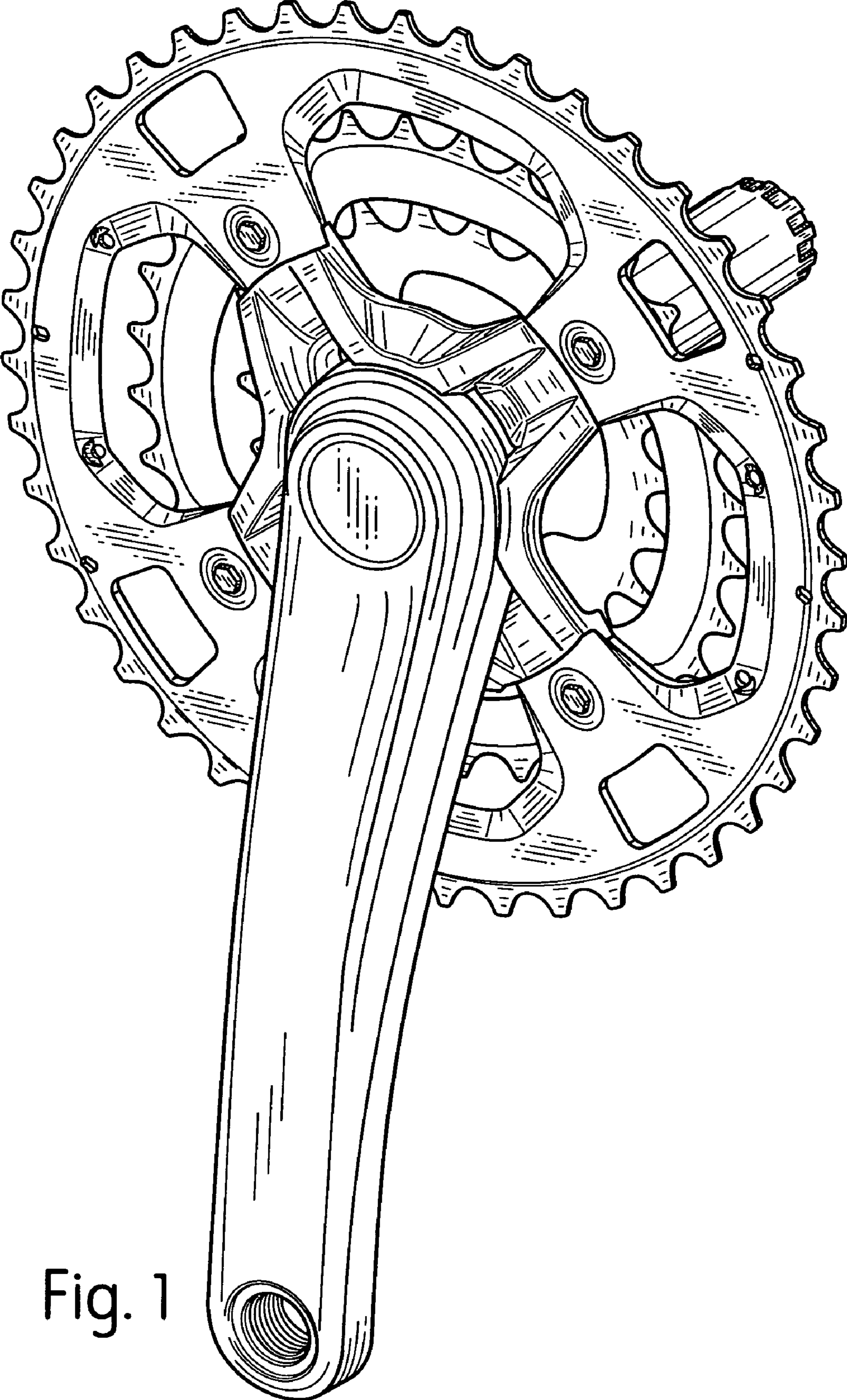


Fig. 1

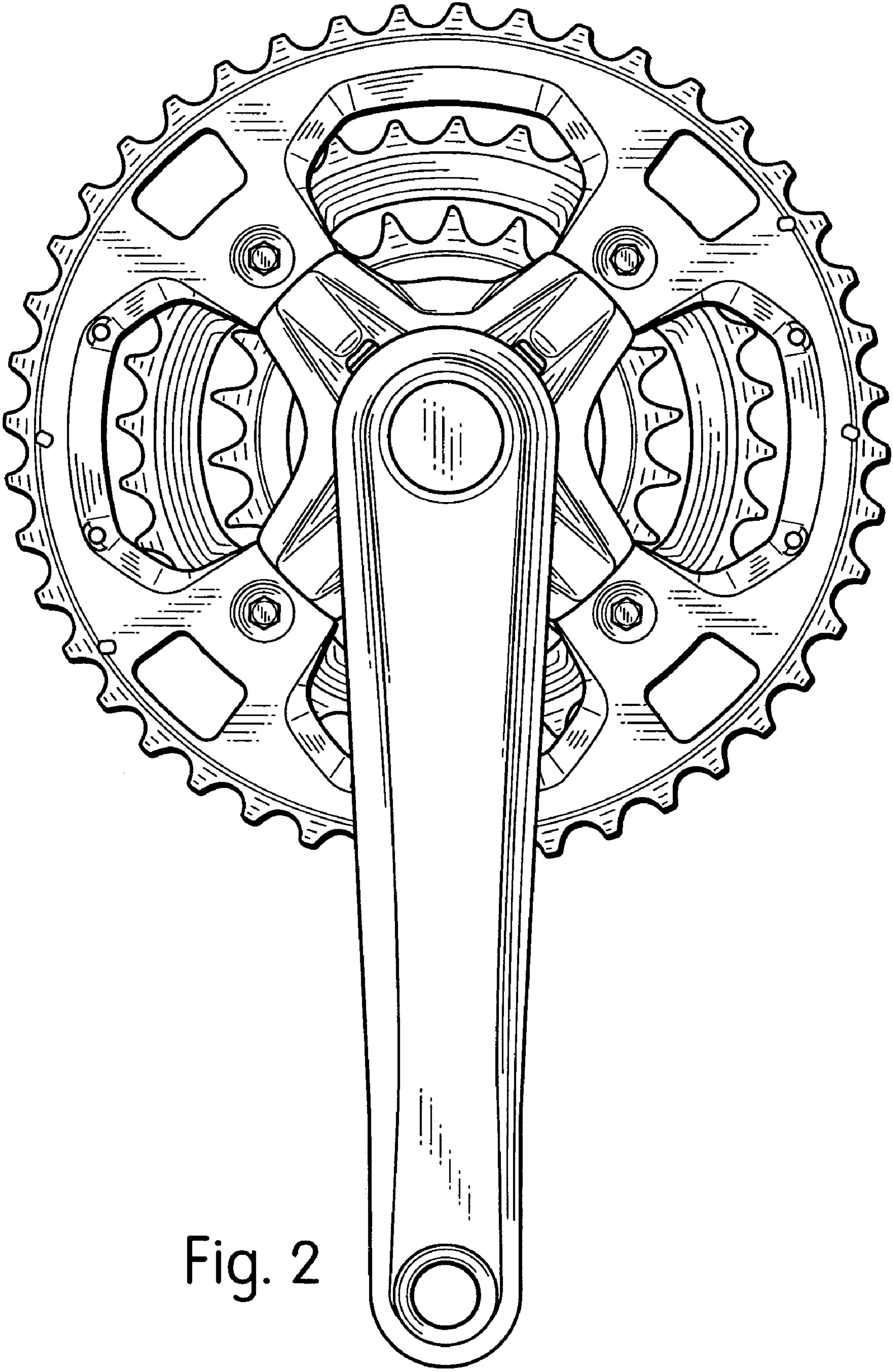


Fig. 2

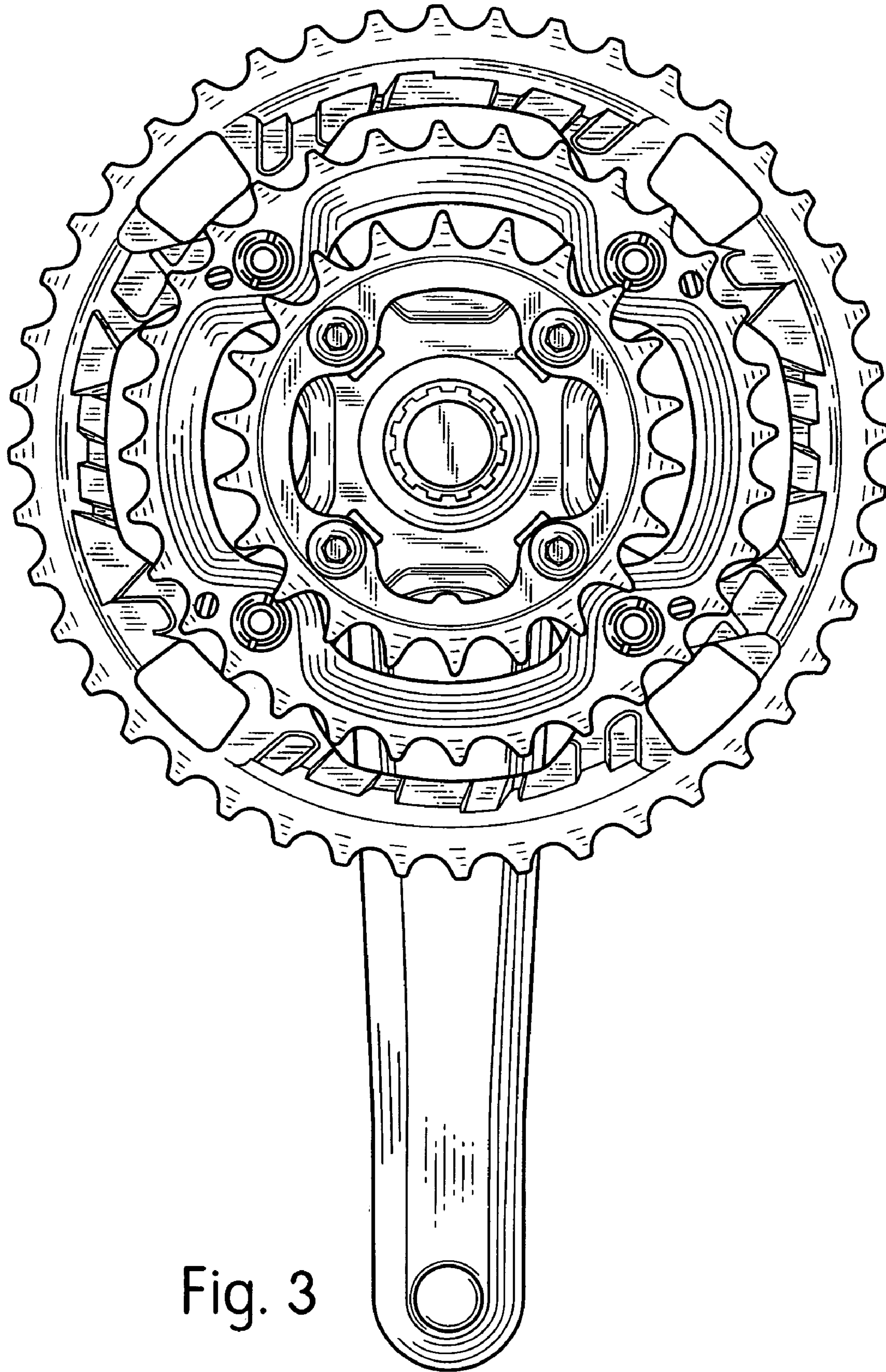


Fig. 3

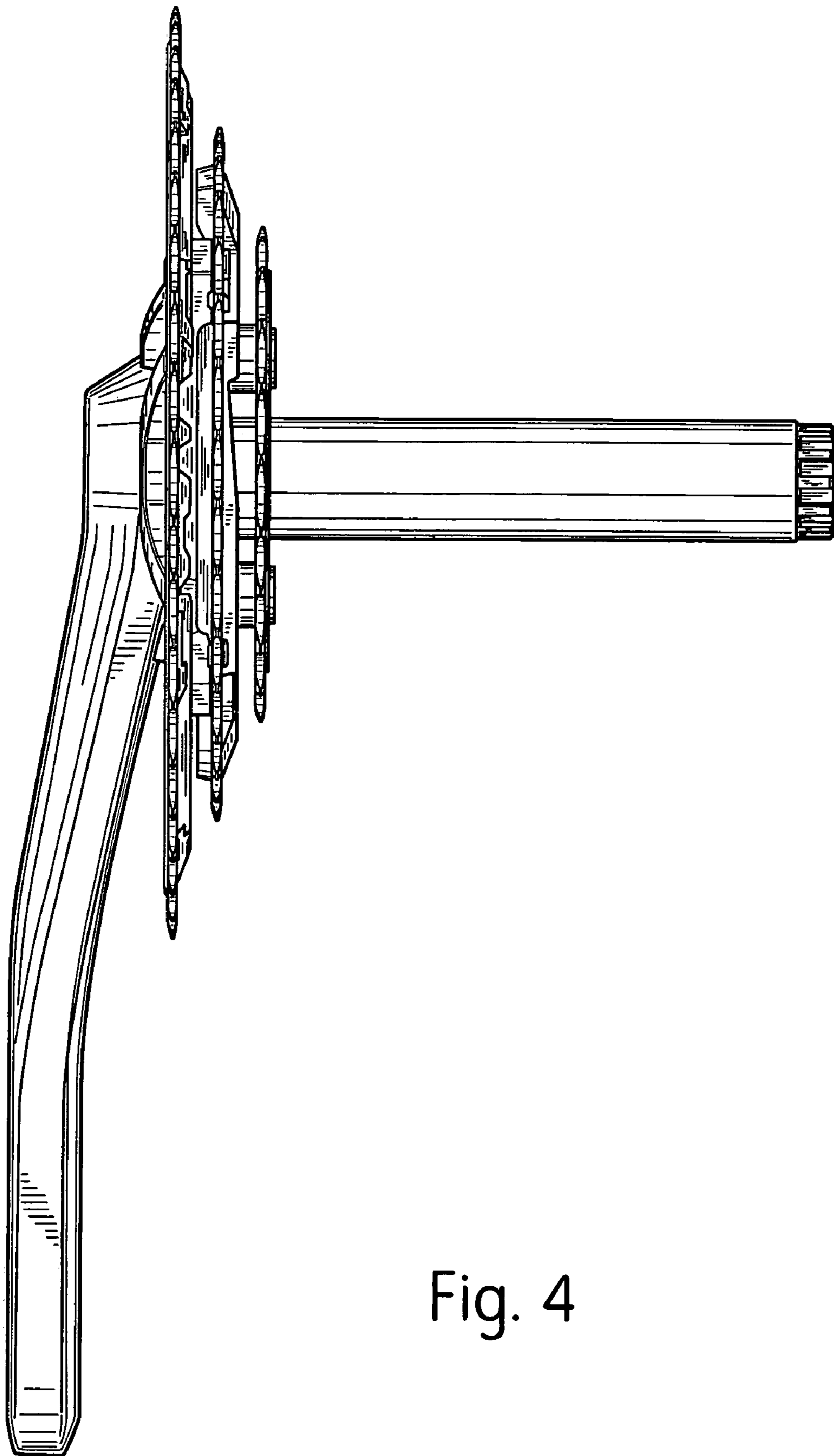


Fig. 4

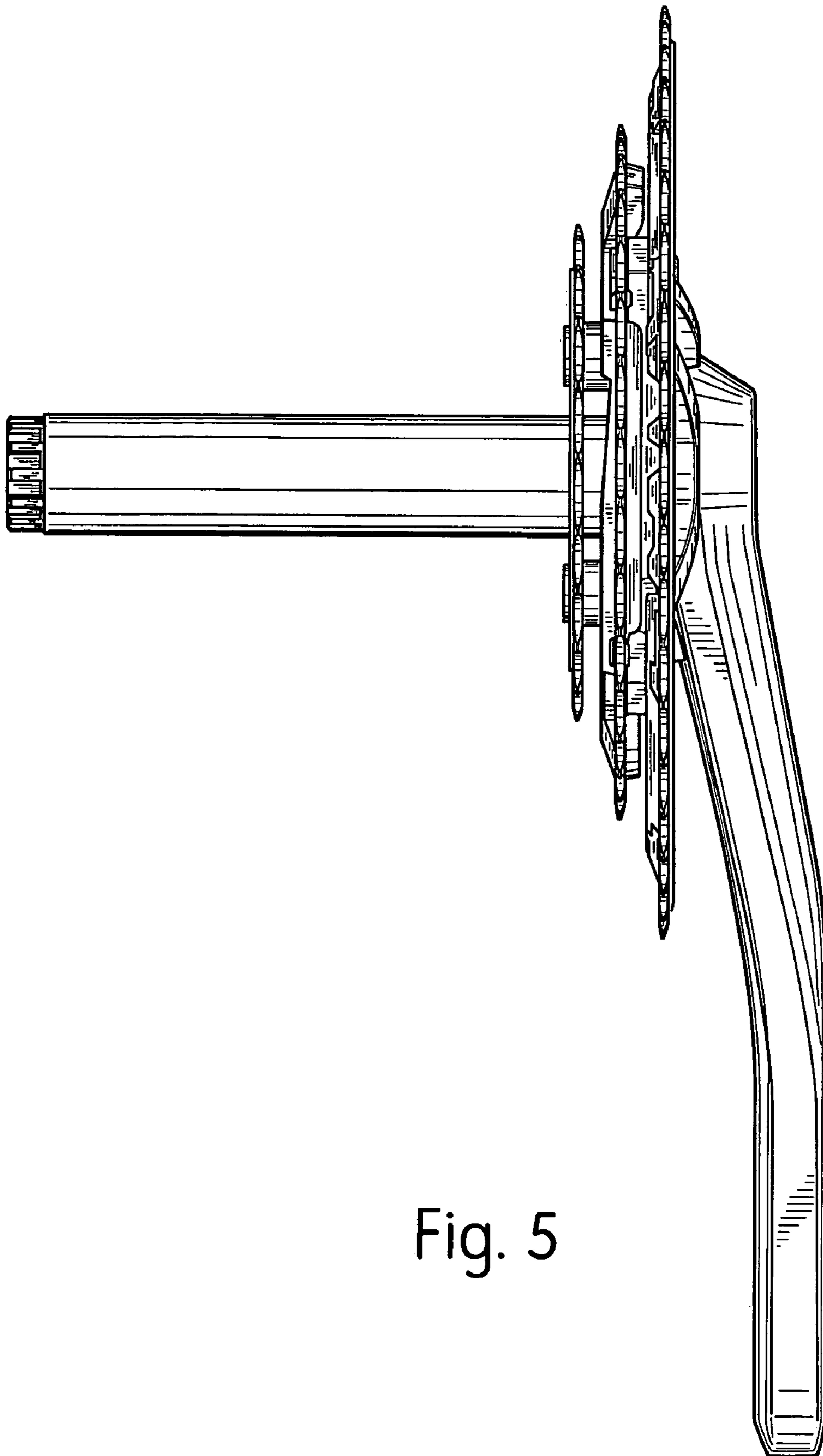


Fig. 5

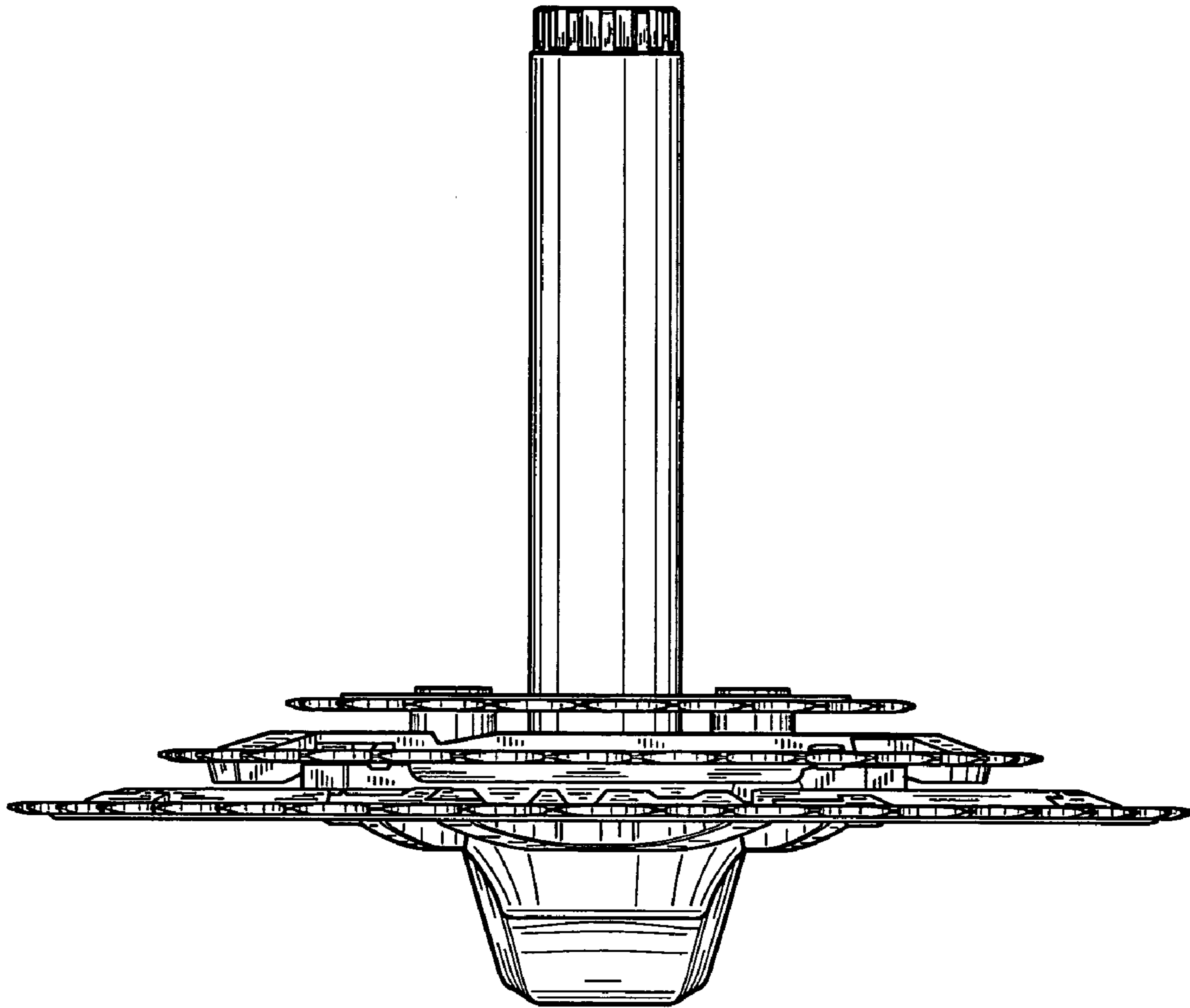


Fig. 6

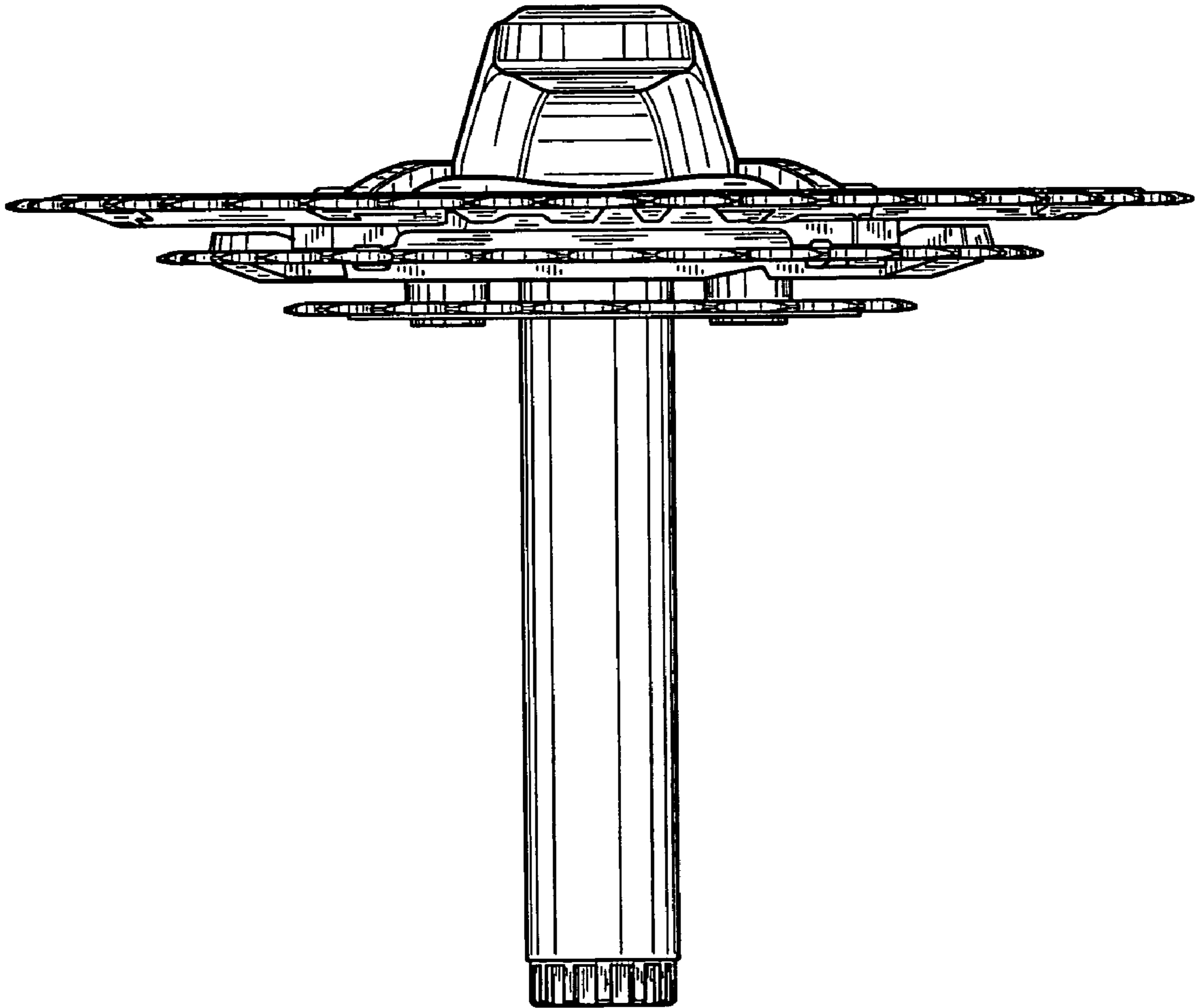


Fig. 7