



US00D553054S

(12) **United States Design Patent**
Kuo

(10) **Patent No.:** **US D553,054 S**

(45) **Date of Patent:** **** Oct. 16, 2007**

(54) **STEERING DAMPER FOR A MOTORCYCLE**

(76) **Inventor:** **Shen-Yuan Kuo**, P.O. Box 90, Tainan City 70499 (TW)

(**) **Term:** **14 Years**

(21) **Appl. No.:** **29/268,363**

(22) **Filed:** **Nov. 6, 2006**

(51) **LOC (8) Cl.** **12-11**

(52) **U.S. Cl.** **D12/114**

(58) **Field of Classification Search** D12/110, D12/114, 117, 118, 159, 177, 178; 280/274-288, 280/288.1-288.4, 93.507, 271, 272, 281.1, 280/771, 89, 90, 270; 188/290, 306, 226.1, 188/266.2, 281, 284, 308, 310
See application file for complete search history.

(56) **References Cited**

U.S. PATENT DOCUMENTS

- 4,558,878 A * 12/1985 Motrenec 280/272
- 6,802,519 B2 * 10/2004 Morgan et al. 280/272
- 7,052,027 B2 * 5/2006 Gogo et al. 280/272

OTHER PUBLICATIONS

Biker's Choice 2000 Handbook, Steering Damper Kits shown and described on p. 231.*

* cited by examiner

Primary Examiner—Alan P. Douglas

Assistant Examiner—Linda Broks

(57) **CLAIM**

The ornamental design for a steering damper for a motorcycle, as shown as described.

DESCRIPTION

FIG. 1 is a perspective view of a steering damper for a motorcycle showing my design;

FIG. 2 is a front elevational view thereof;

FIG. 3 is a rear elevational view thereof;

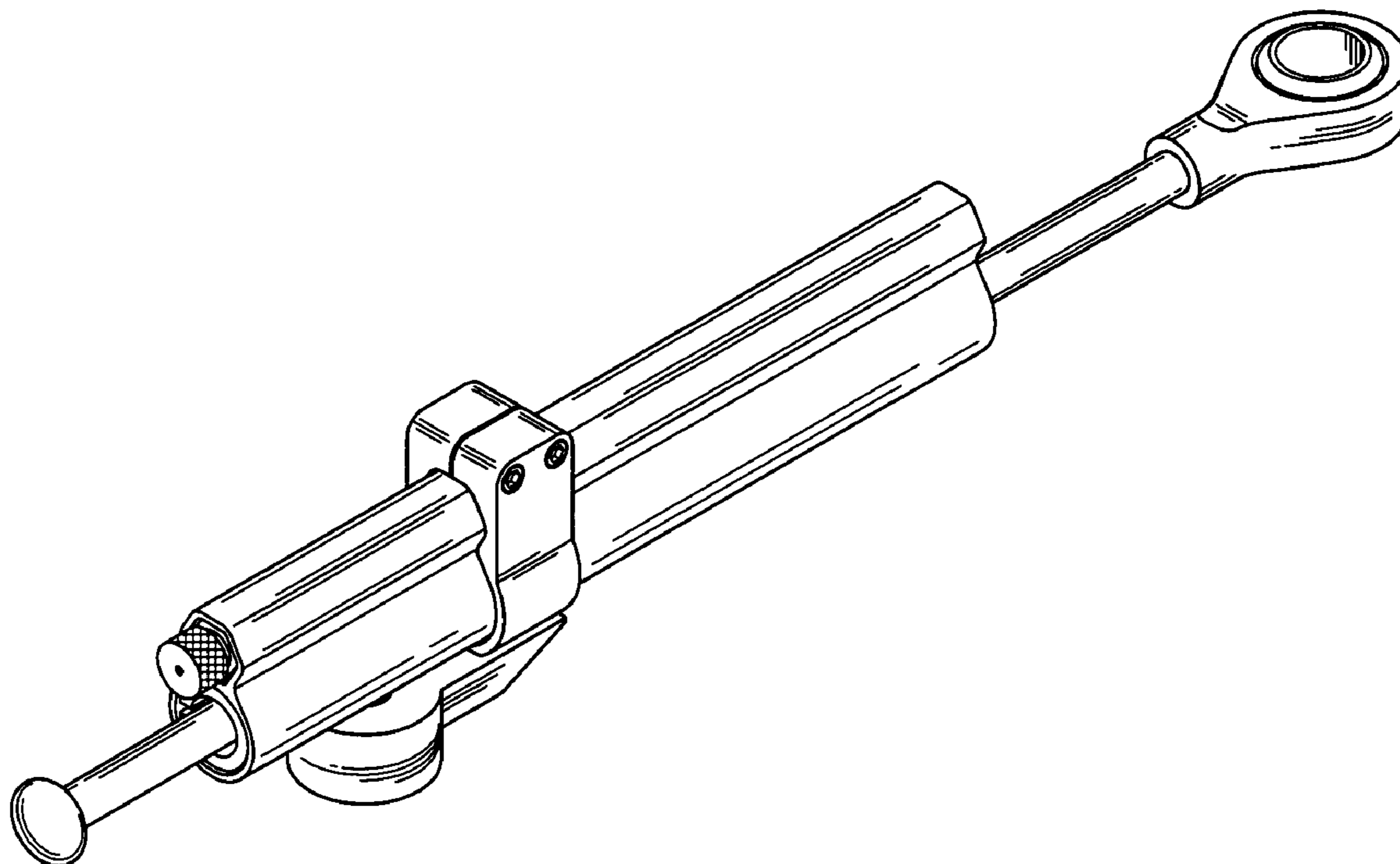
FIG. 4 is a left side elevational view thereof;

FIG. 5 is a right side elevational view thereof;

FIG. 6 is a top plan view thereof; and,

FIG. 7 is a bottom plan view thereof.

1 Claim, 4 Drawing Sheets



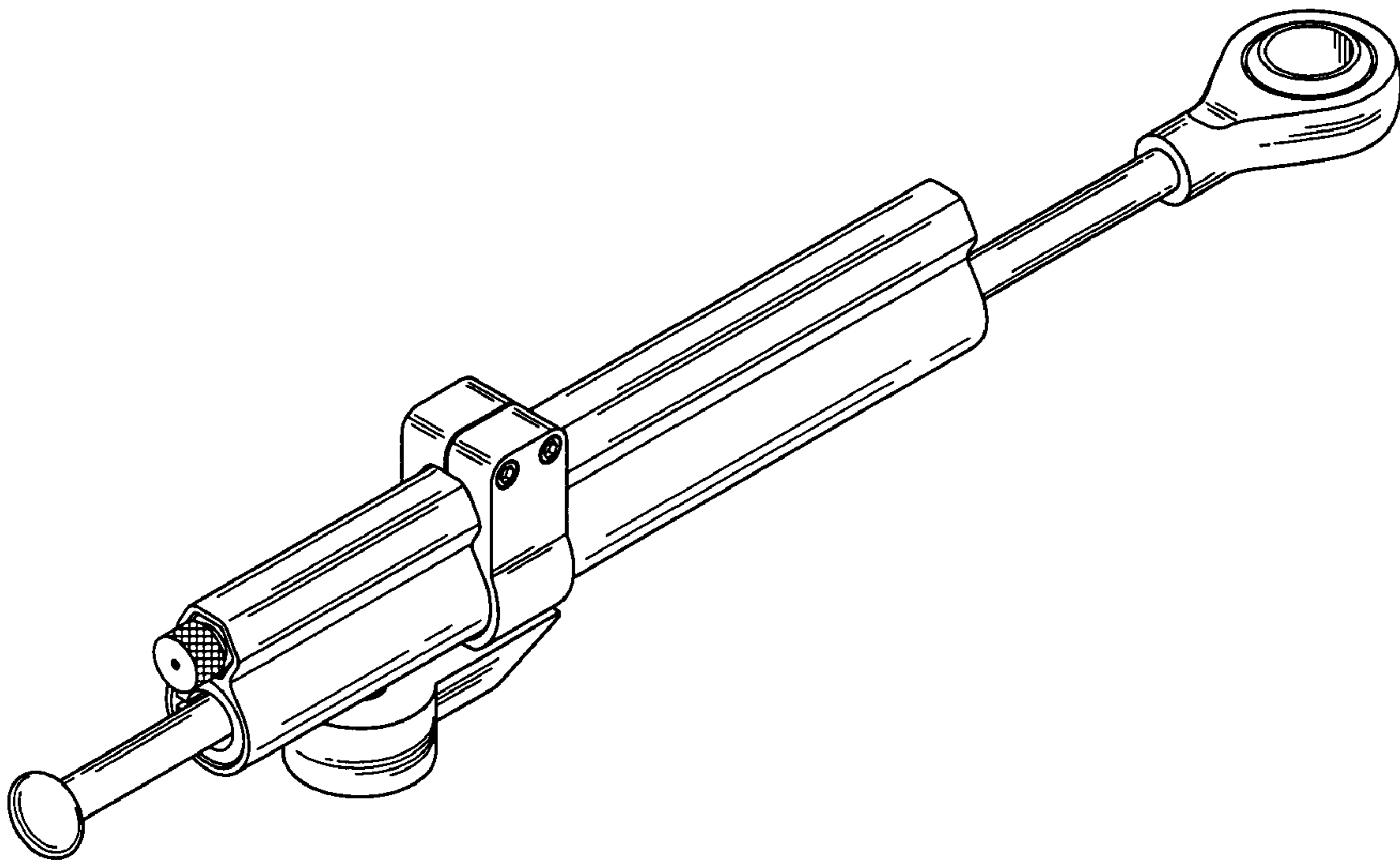


FIG. 1

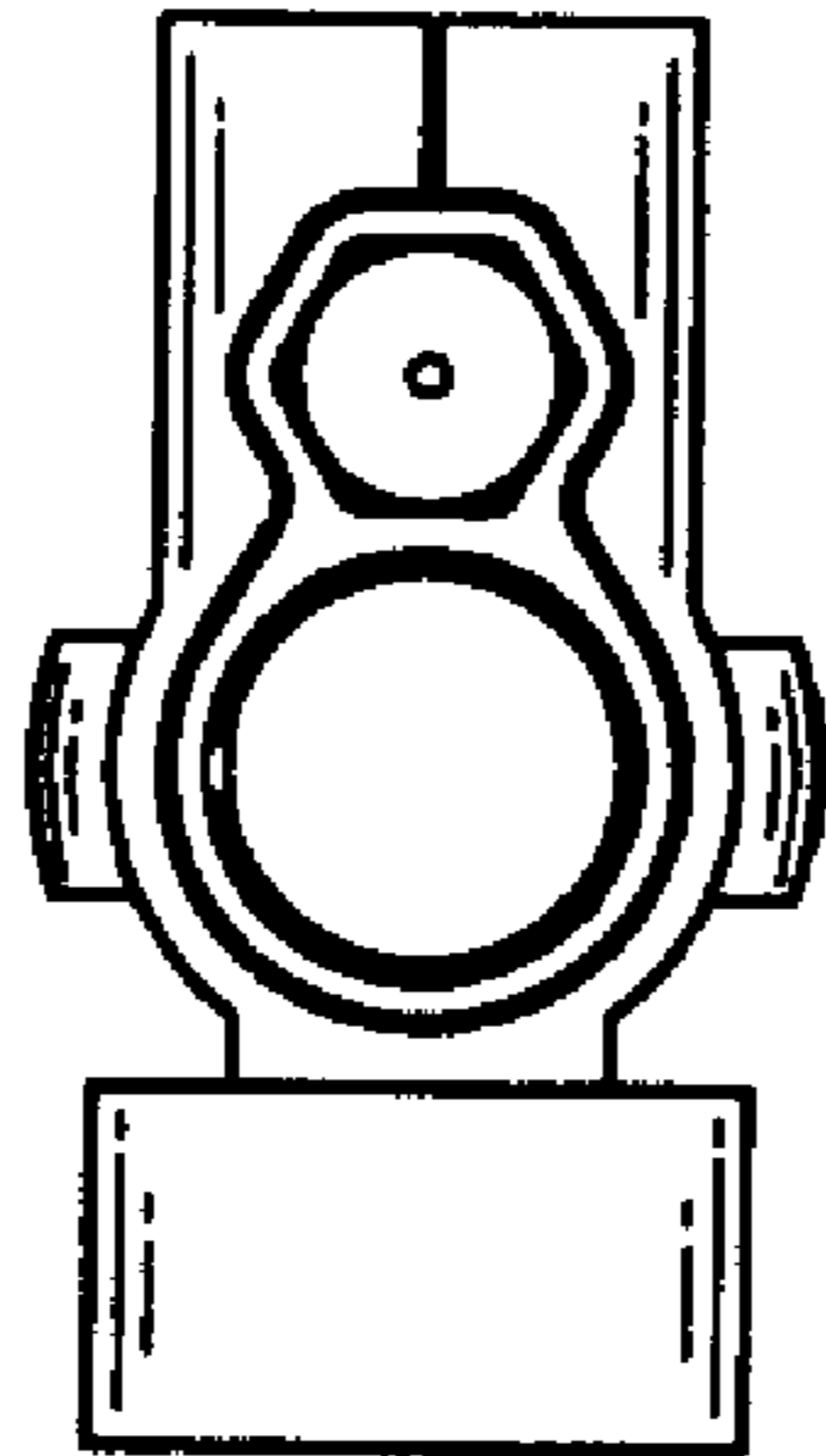


FIG. 2

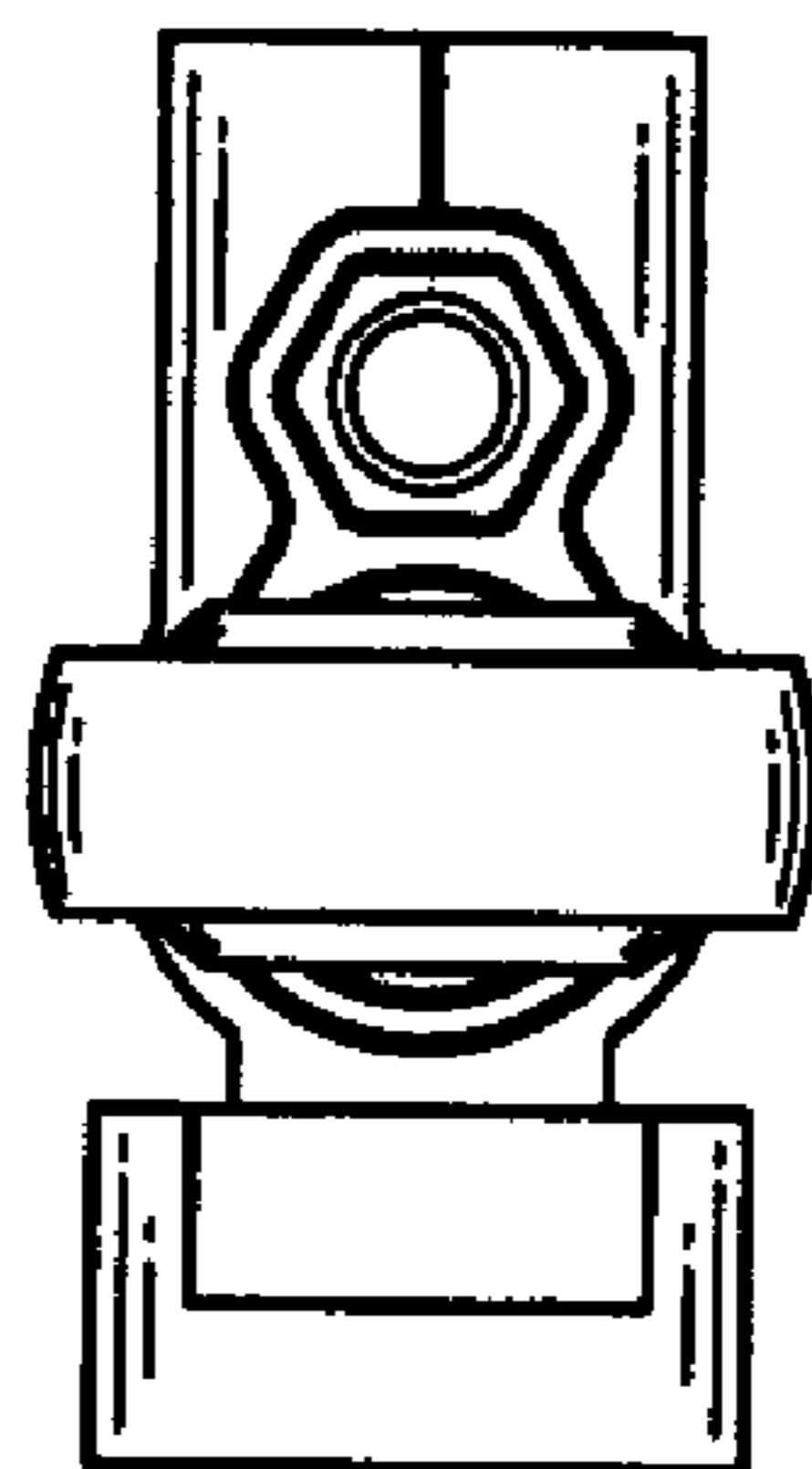


FIG. 3

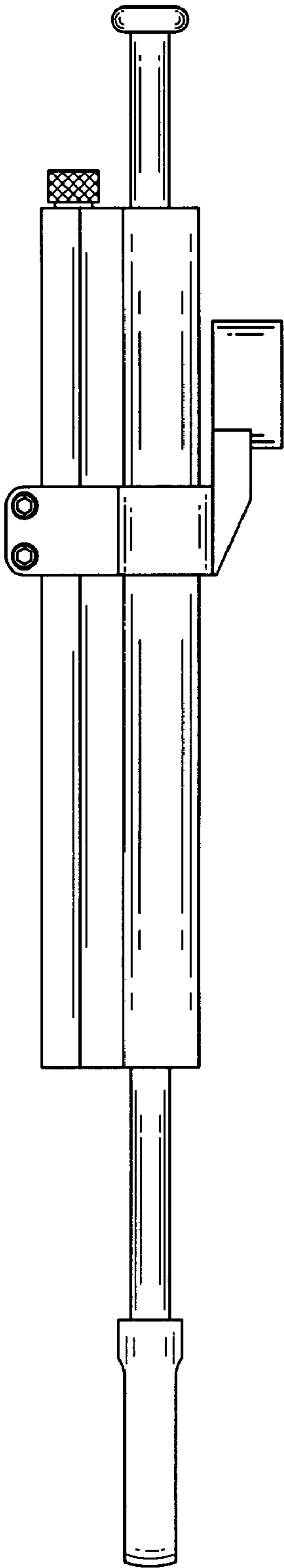


FIG. 4

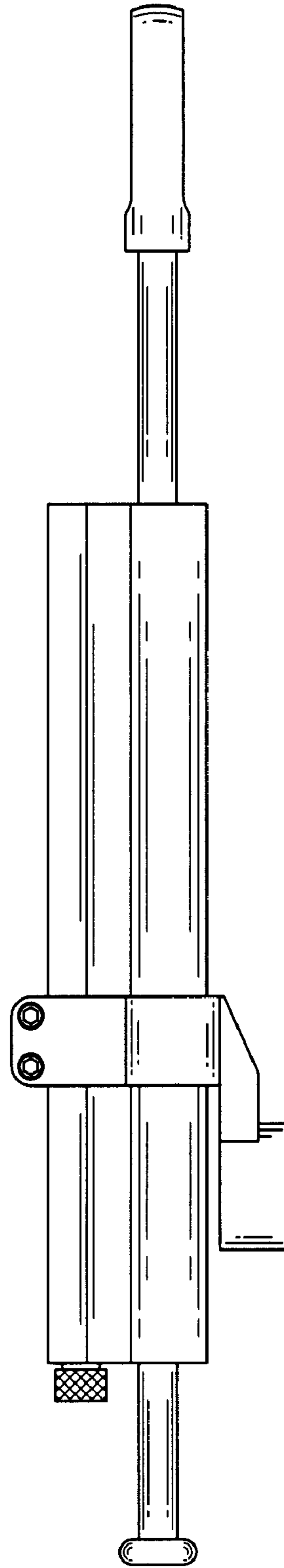


FIG. 5

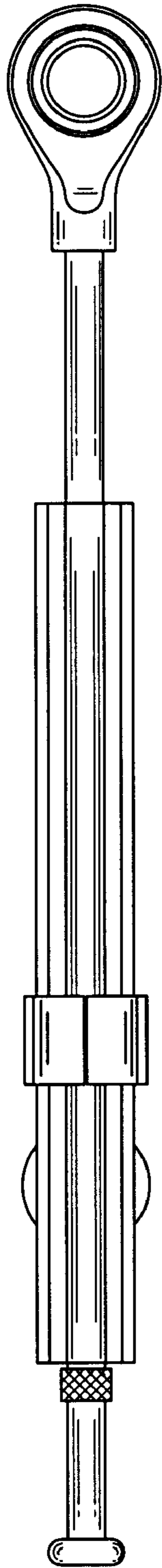


FIG. 6

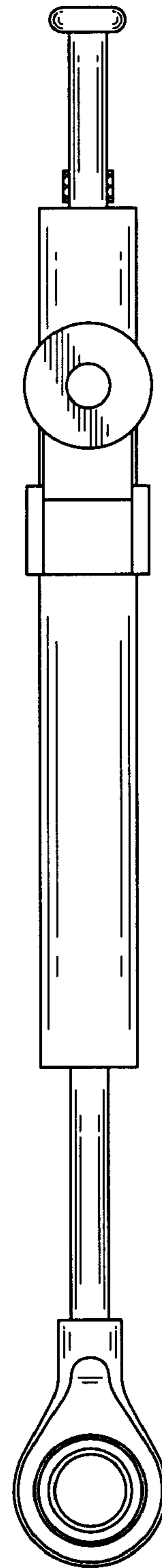


FIG. 7