



US00D553052S

(12) **United States Design Patent**
Hettler

(10) **Patent No.:** **US D553,052 S**

(45) **Date of Patent:** **** Oct. 16, 2007**

(54) **SURFACE CONFIGURATION OF A VEHICLE, TOY, AND/OR OTHER REPLICAS**

Primary Examiner—Melody N. Brown
(74) *Attorney, Agent, or Firm*—Crowell & Moring LLP

(75) Inventor: **Jan Hettler**, Munich (DE)

(57) **CLAIM**

(73) Assignee: **Bayerische Motoren Werke Aktiengesellschaft**, Munich (DE)

The ornamental design for a surface configuration of a vehicle, toy, and/or other replicas, as shown and described.

(**) Term: **14 Years**

(21) Appl. No.: **29/258,298**

DESCRIPTION

(22) Filed: **Apr. 20, 2006**

(30) **Foreign Application Priority Data**

Oct. 21, 2005 (DE) 40505489

This application is related to the following co-pending applications, of the inventor, filed on even date herewith:

(51) **LOC (8) Cl.** **12-08**

Application Ser. No. 29/258,299, entitled “Surface Configuration of a Front Bumper for a Vehicle”; and

(52) **U.S. Cl.** **D12/92**

Application Ser. No. 29/258,284, entitled “Surface Configuration of a Rear Bumper for a Vehicle”.

(58) **Field of Classification Search** D12/90–92,
D12/86; D21/424, 433; 296/181.1
See application file for complete search history.

FIG. 1 is a left, front perspective view of a surface configuration of a vehicle, toy, and/or other replicas according to my novel design;

(56) **References Cited**

U.S. PATENT DOCUMENTS

D480,021 S *	9/2003	Warming	D12/92
D500,709 S *	1/2005	van Hooydonk	D12/92
D512,341 S *	12/2005	Larson	D12/92
D514,984 S *	2/2006	Lai	D12/92
D514,985 S *	2/2006	Nagashima	D12/92
D515,461 S *	2/2006	Lai	D12/92
D521,907 S *	5/2006	Elmitt	D12/92
D538,712 S *	3/2007	Sycha	D12/92

FIG. 2 is a left, rear perspective view thereof;

FIG. 3 is a left side view thereof;

FIG. 4 is a right side view thereof;

FIG. 5 is a front view thereof;

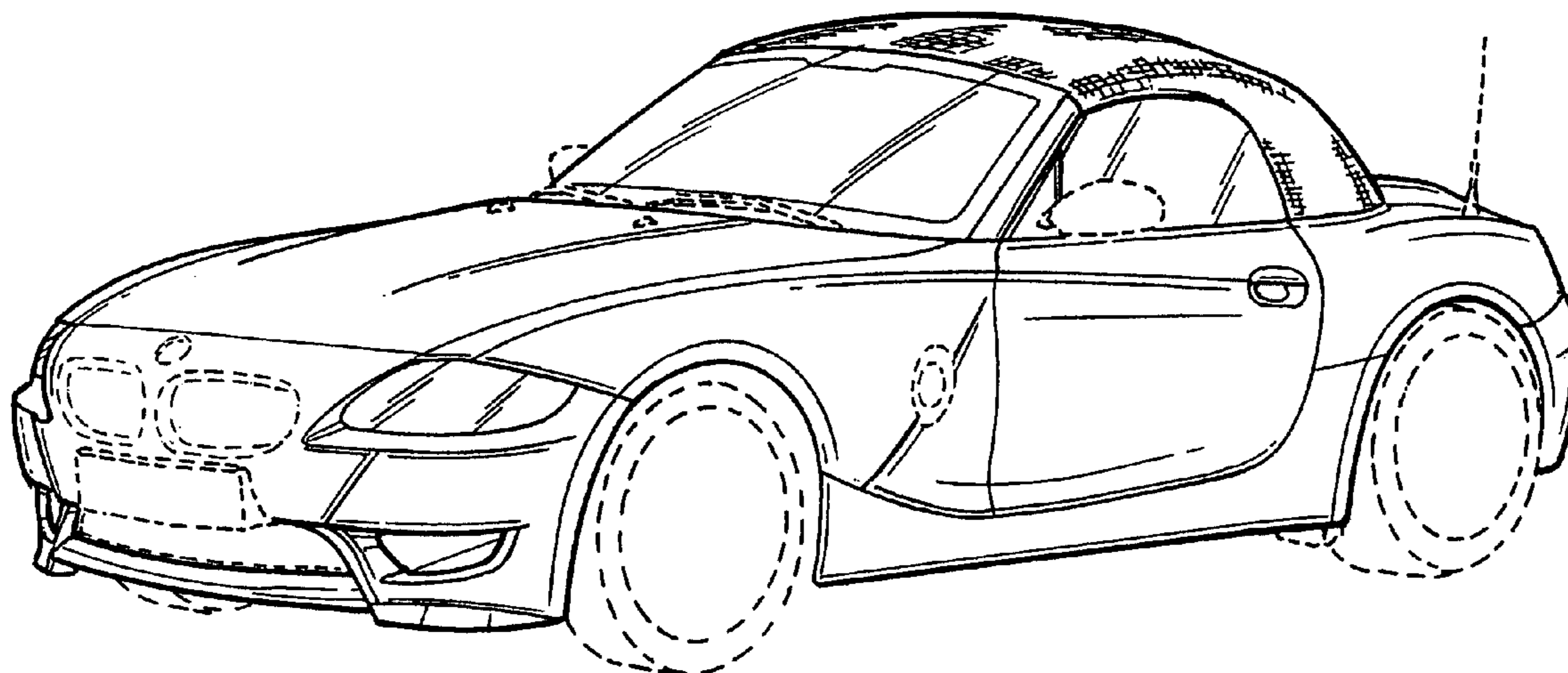
FIG. 6 is a rear view thereof; and,

FIG. 7 is a top view thereof.

The broken lines are for illustrative purposes only and form no part of the claimed design.

* cited by examiner

1 Claim, 6 Drawing Sheets



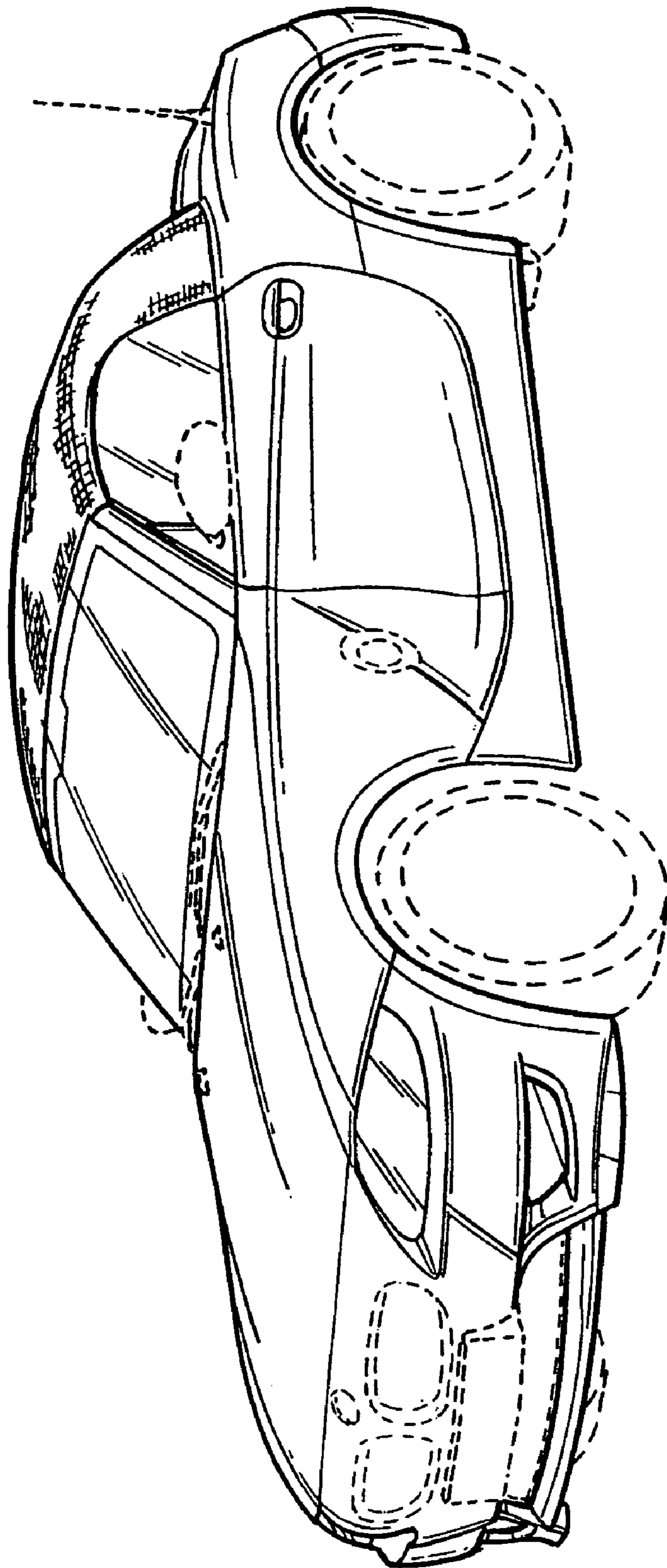


FIG. 1

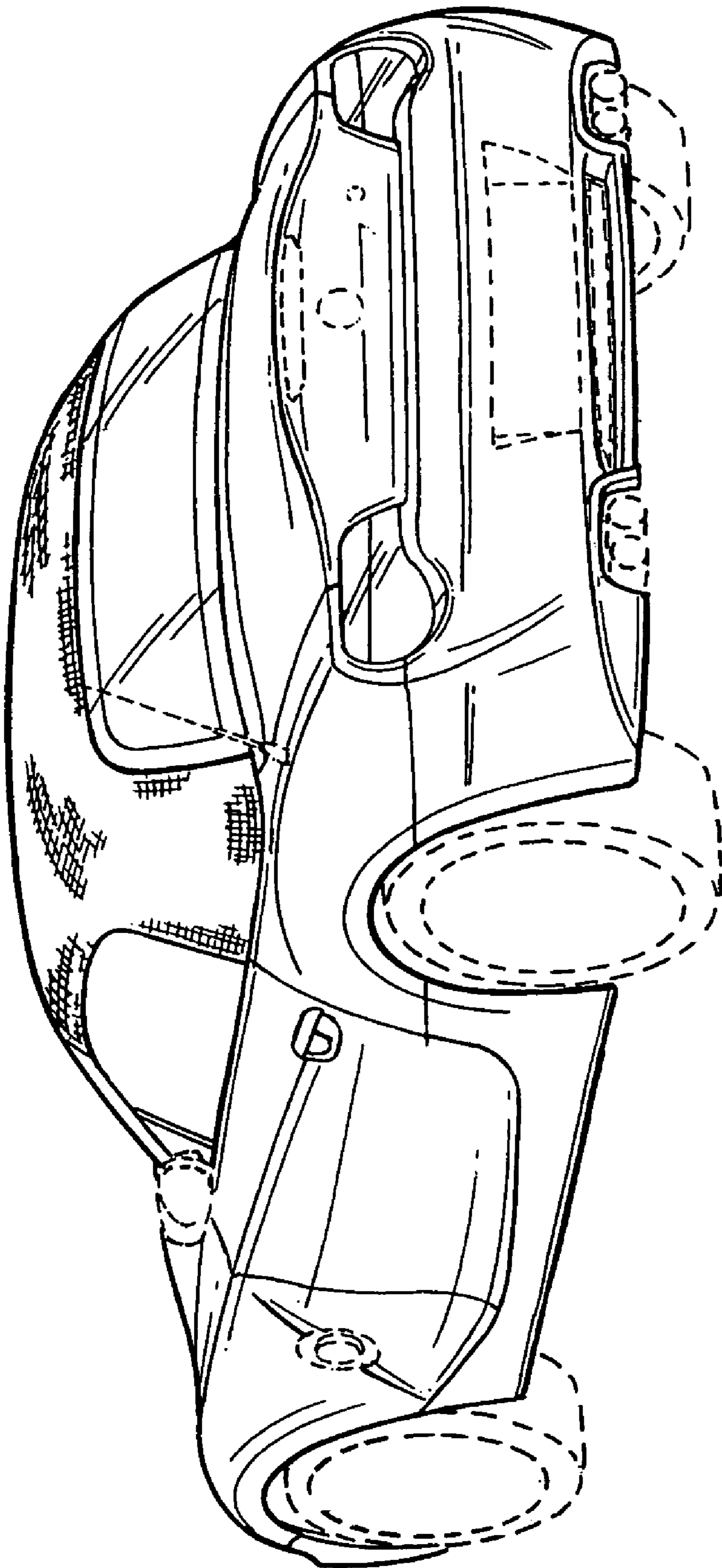


FIG. 2

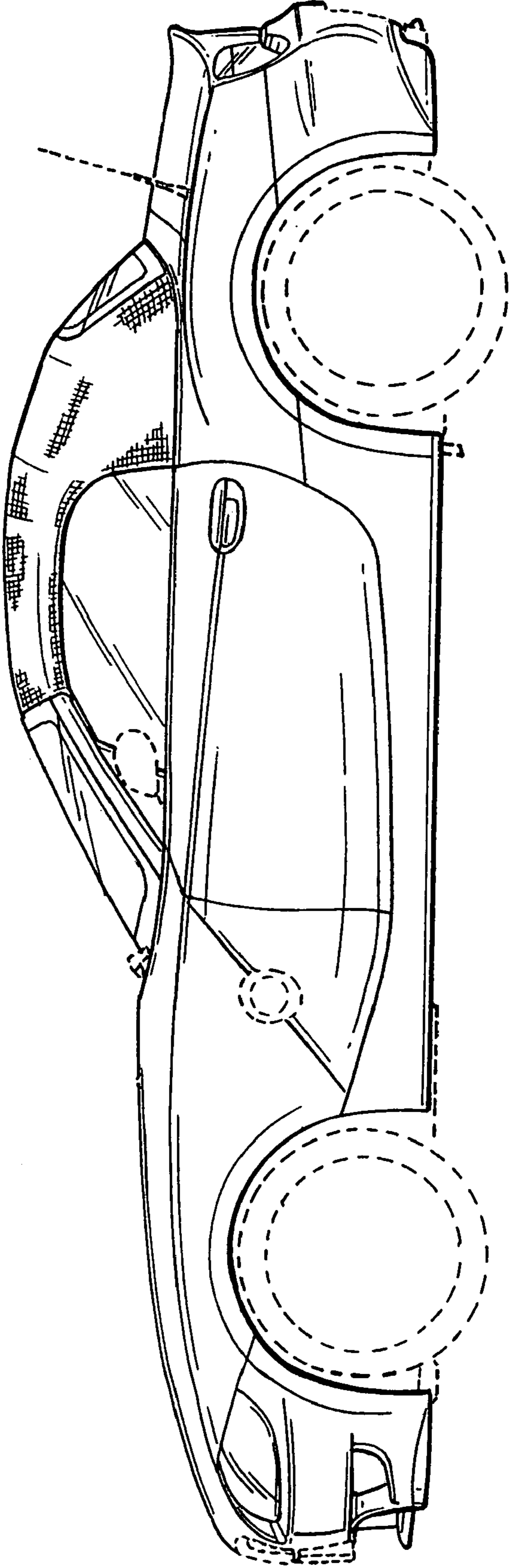


FIG. 3

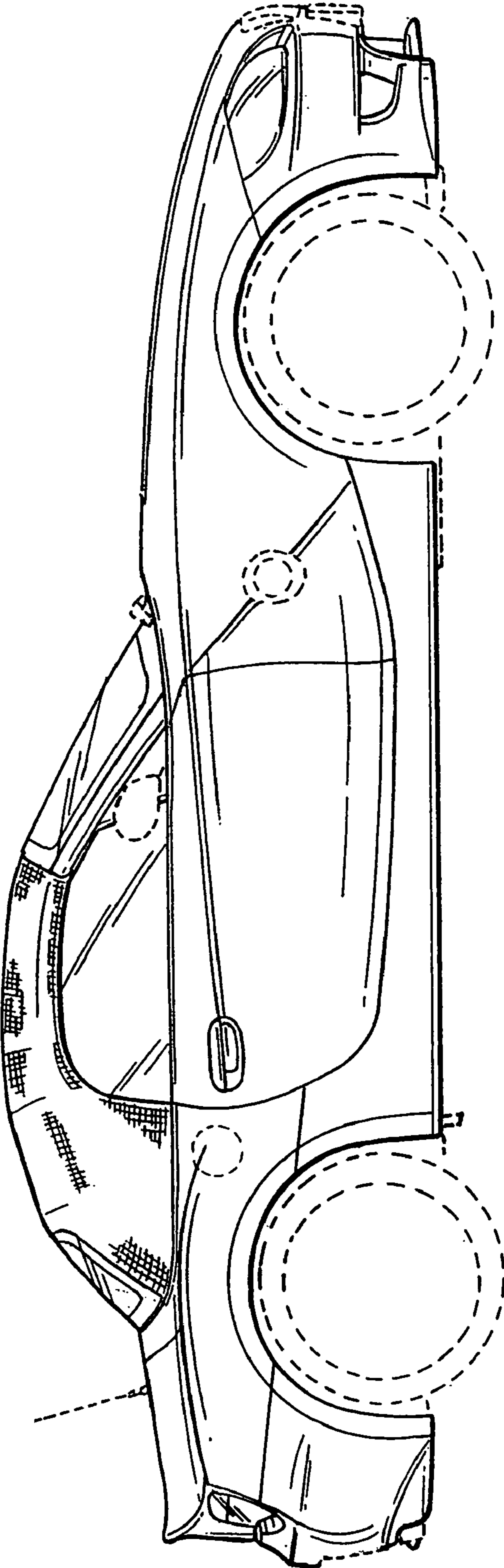


FIG. 4

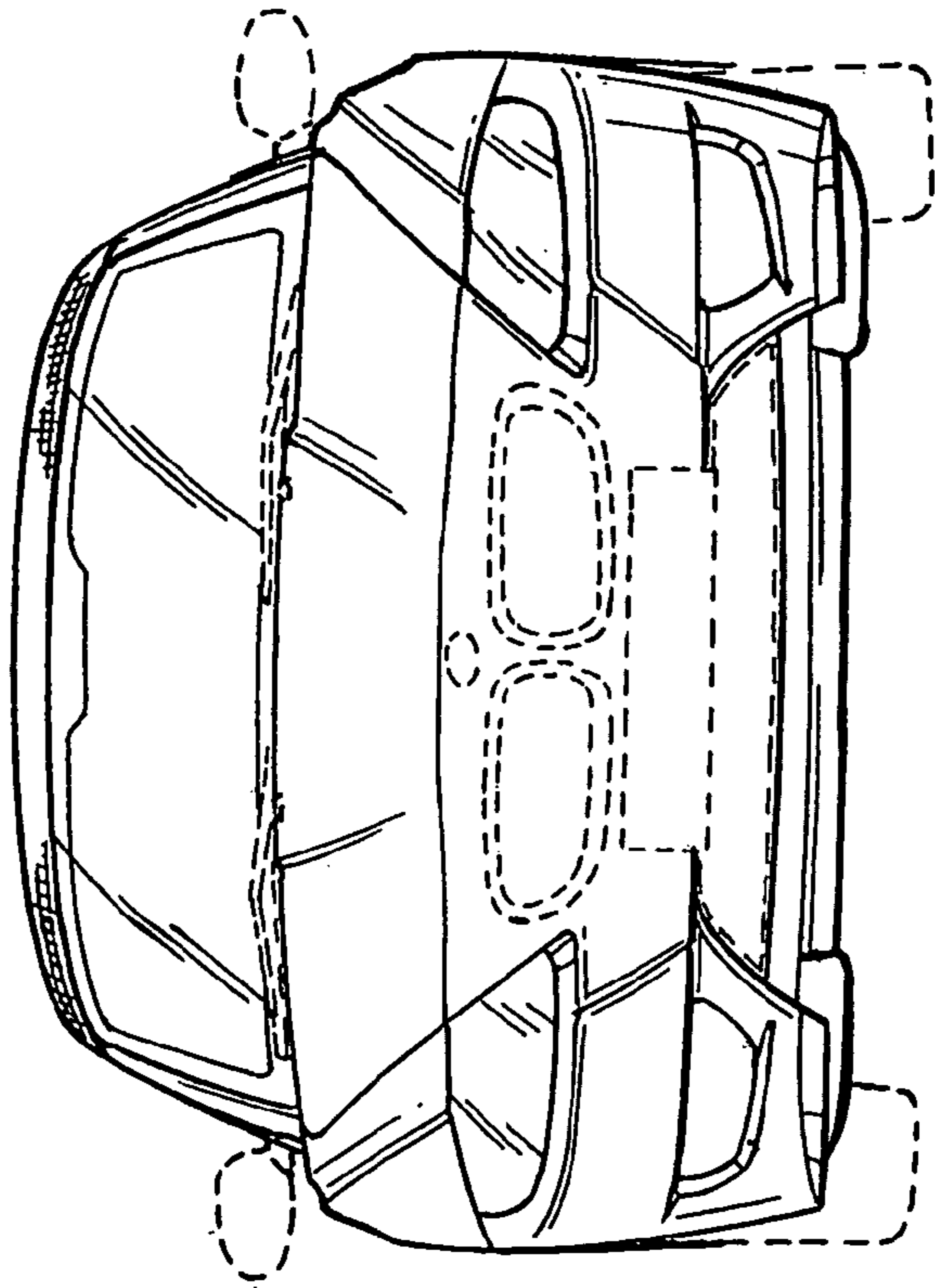


FIG. 5

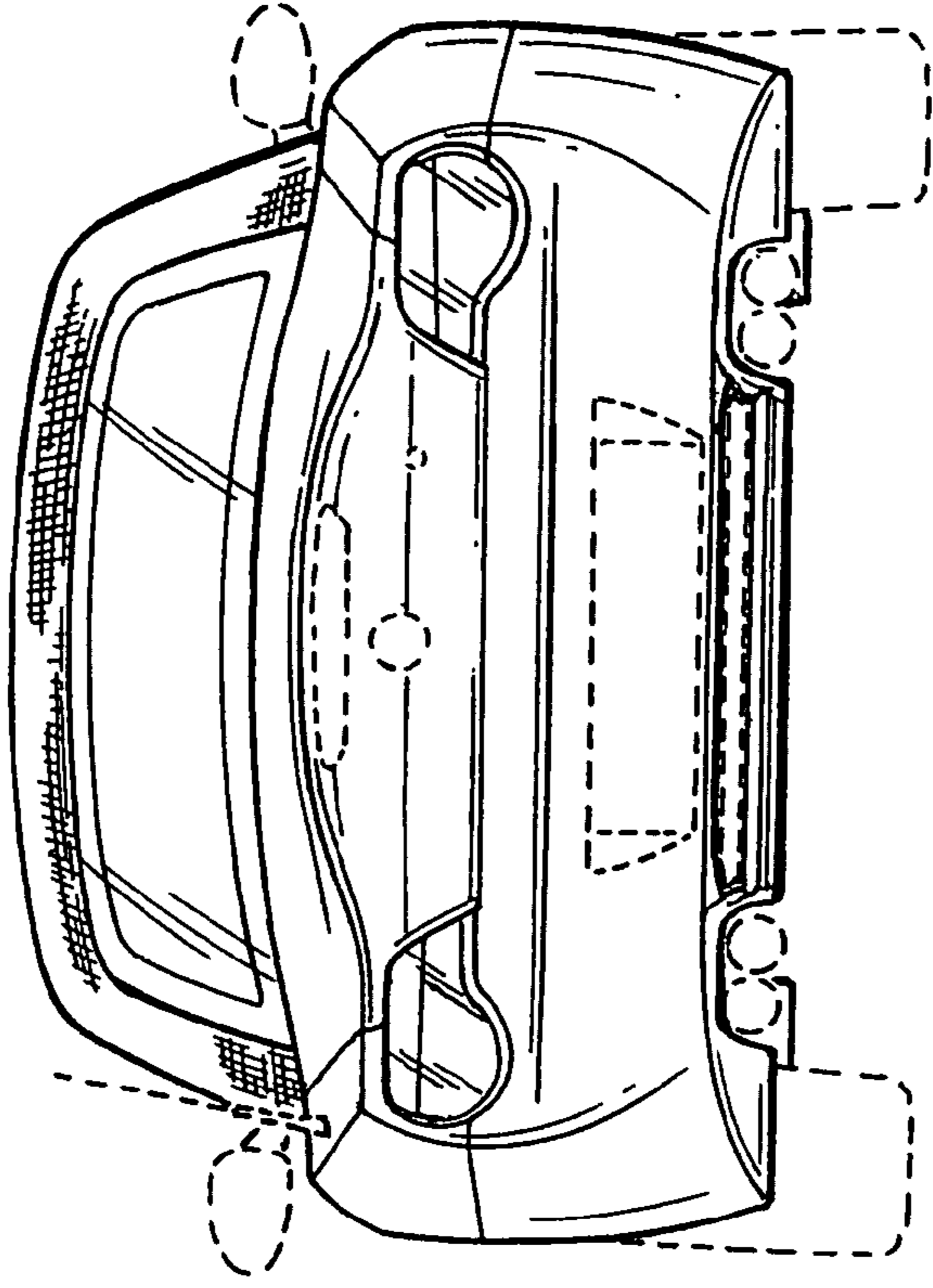


FIG. 6

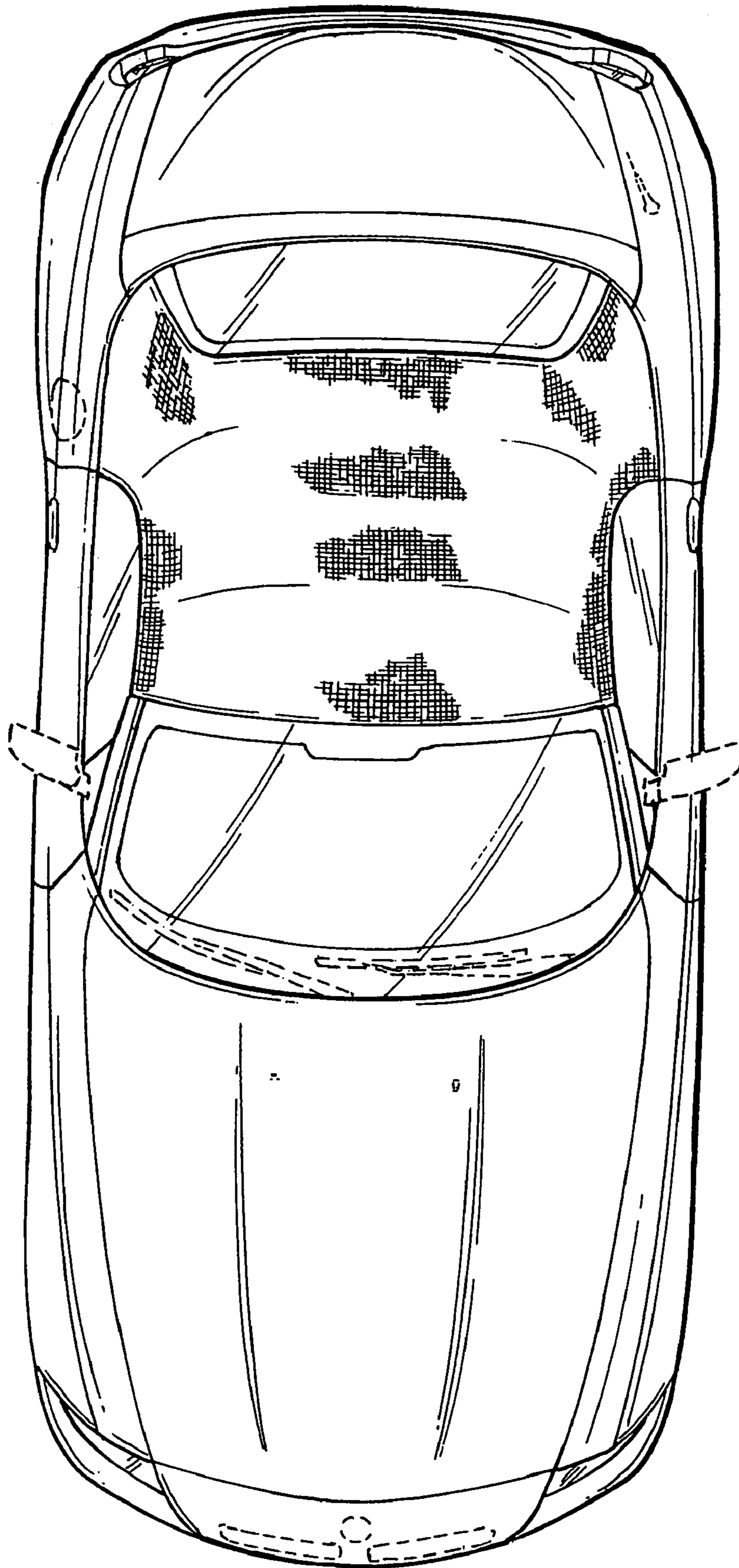


FIG. 7