



US00D553048S

(12) **United States Design Patent**
Butz

(10) **Patent No.:** **US D553,048 S**

(45) **Date of Patent:** **** Oct. 16, 2007**

(54) **ROOF AND EMERGENCY EXIT HATCH FOR BUSES**

D345,120 S * 3/1994 Normand et al. D12/84
D376,562 S * 12/1996 Sealy et al. D12/84

(75) Inventor: **Timo Butz**, Turku (FI)

* cited by examiner

(73) Assignee: **Spheros-Parabus Oy**, Turku (FI)

Primary Examiner—Melody N. Brown

(74) *Attorney, Agent, or Firm*—Klauber & Jackson LLC

(**) Term: **14 Years**

(21) Appl. No.: **29/244,327**

(22) Filed: **Dec. 8, 2005**

(57) **CLAIM**

The ornamental design for roof and emergency exit hatch for buses, as shown.

(30) **Foreign Application Priority Data**

Jun. 22, 2005 (EM) 000367362

DESCRIPTION

(51) **LOC (8) Cl.** **12-08**

FIG. 1 is a perspective view taken from the right side, the rear and the bottom, of the roof and emergency exit hatch for buses of my new design;

(52) **U.S. Cl.** **D12/84; D12/401**

FIG. 2 is a bottom view thereof;

(58) **Field of Classification Search** D12/84,
D12/401; 296/178, 78.1, 99.1, 210, 100.11
See application file for complete search history.

FIG. 3 is a top view thereof;

FIG. 4 is a right side view thereof;

FIG. 5 is a left side view thereof;

FIG. 6 is a front view thereof; and,

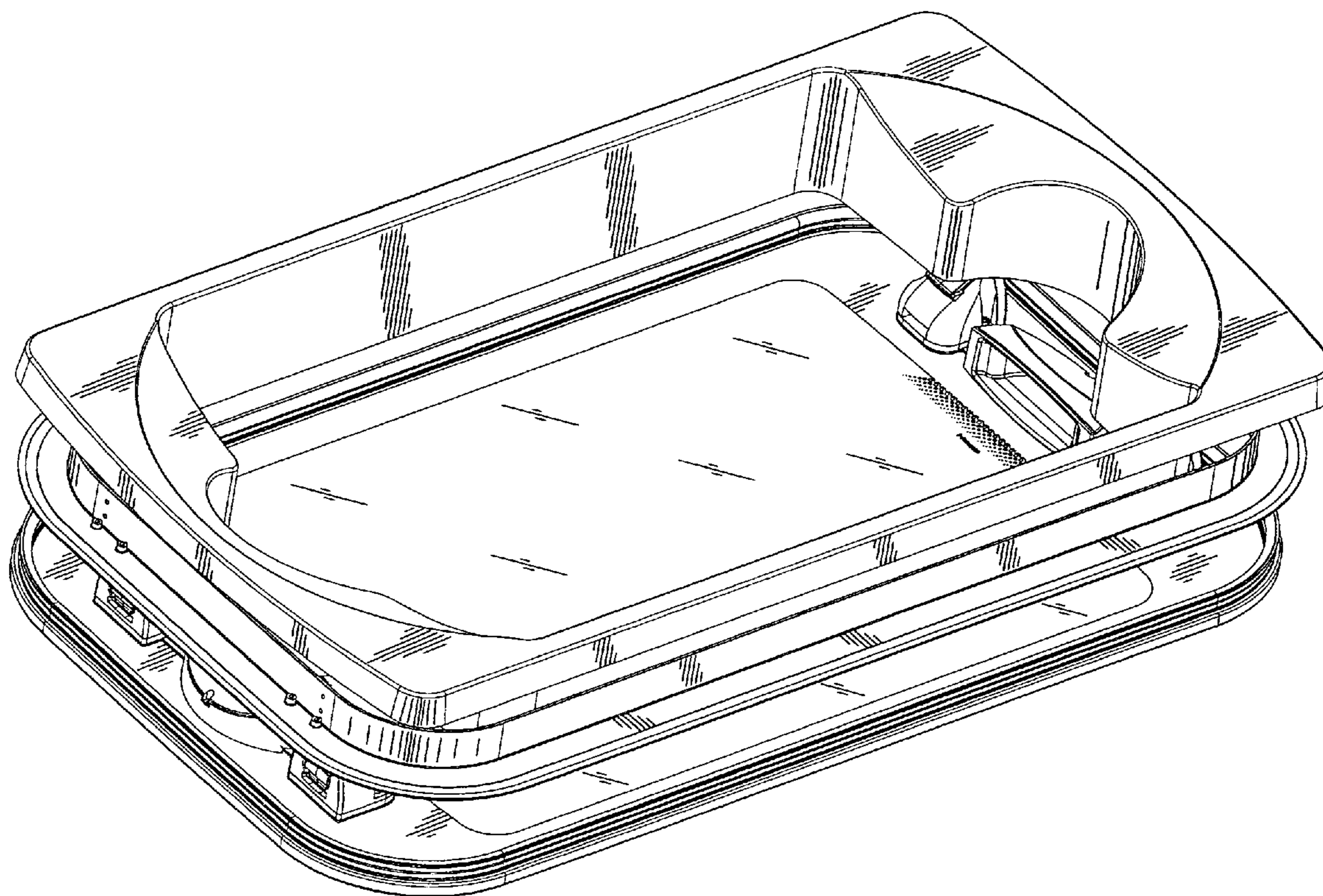
FIG. 7 is a rear view thereof.

(56) **References Cited**

U.S. PATENT DOCUMENTS

D291,981 S * 9/1987 Manning D12/84
D302,255 S * 7/1989 Manning D12/84

1 Claim, 4 Drawing Sheets



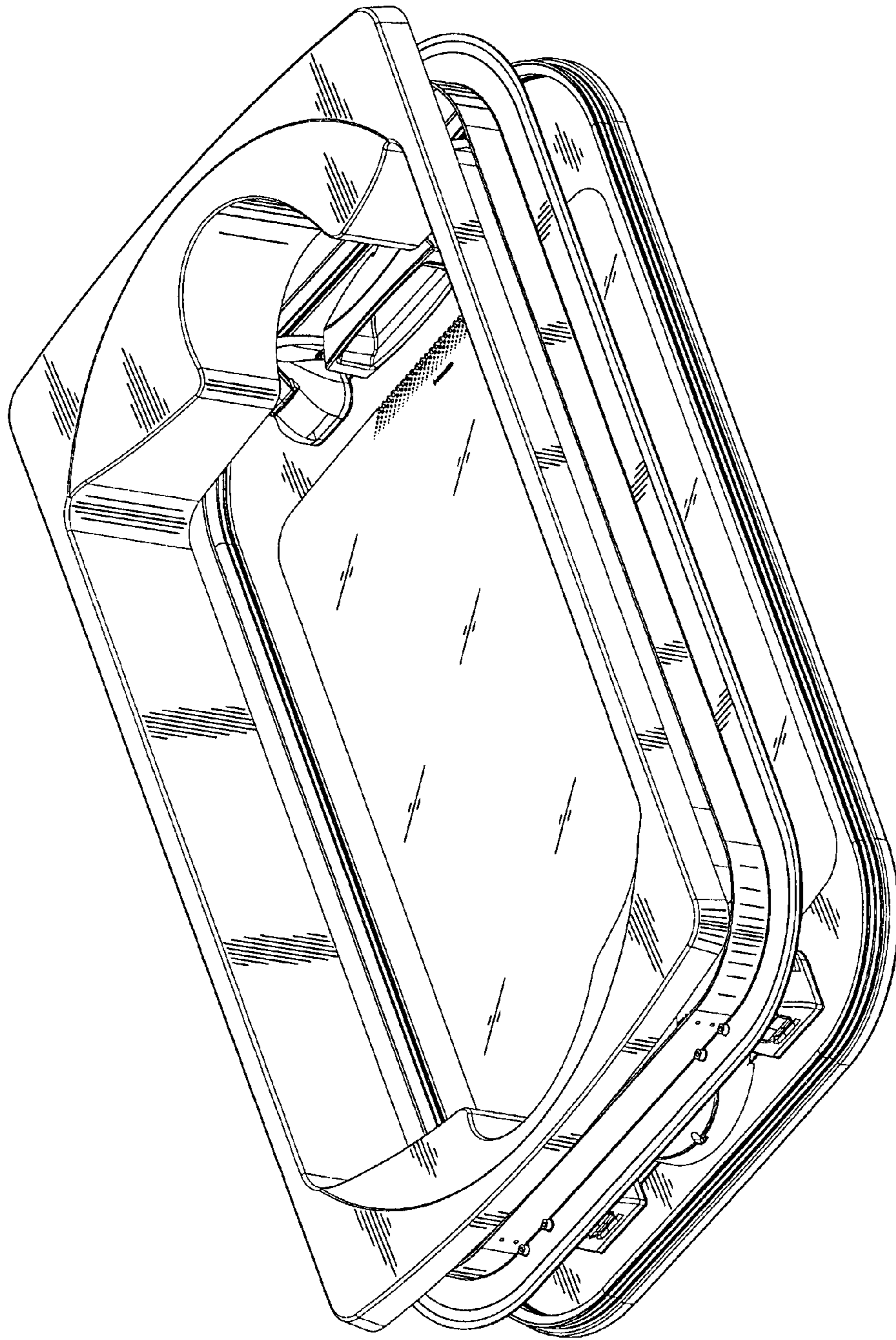


FIG. 1

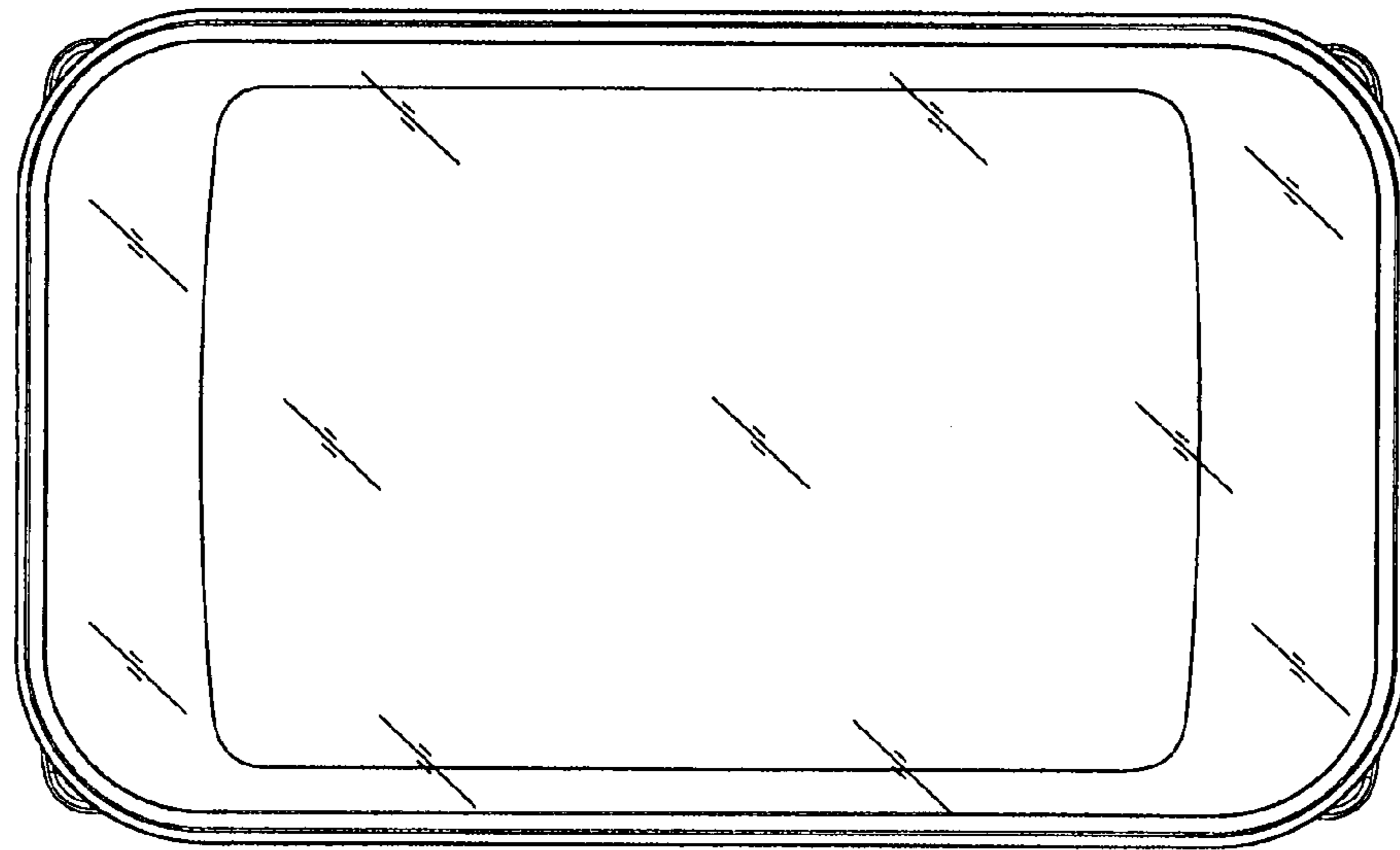


Fig. 3

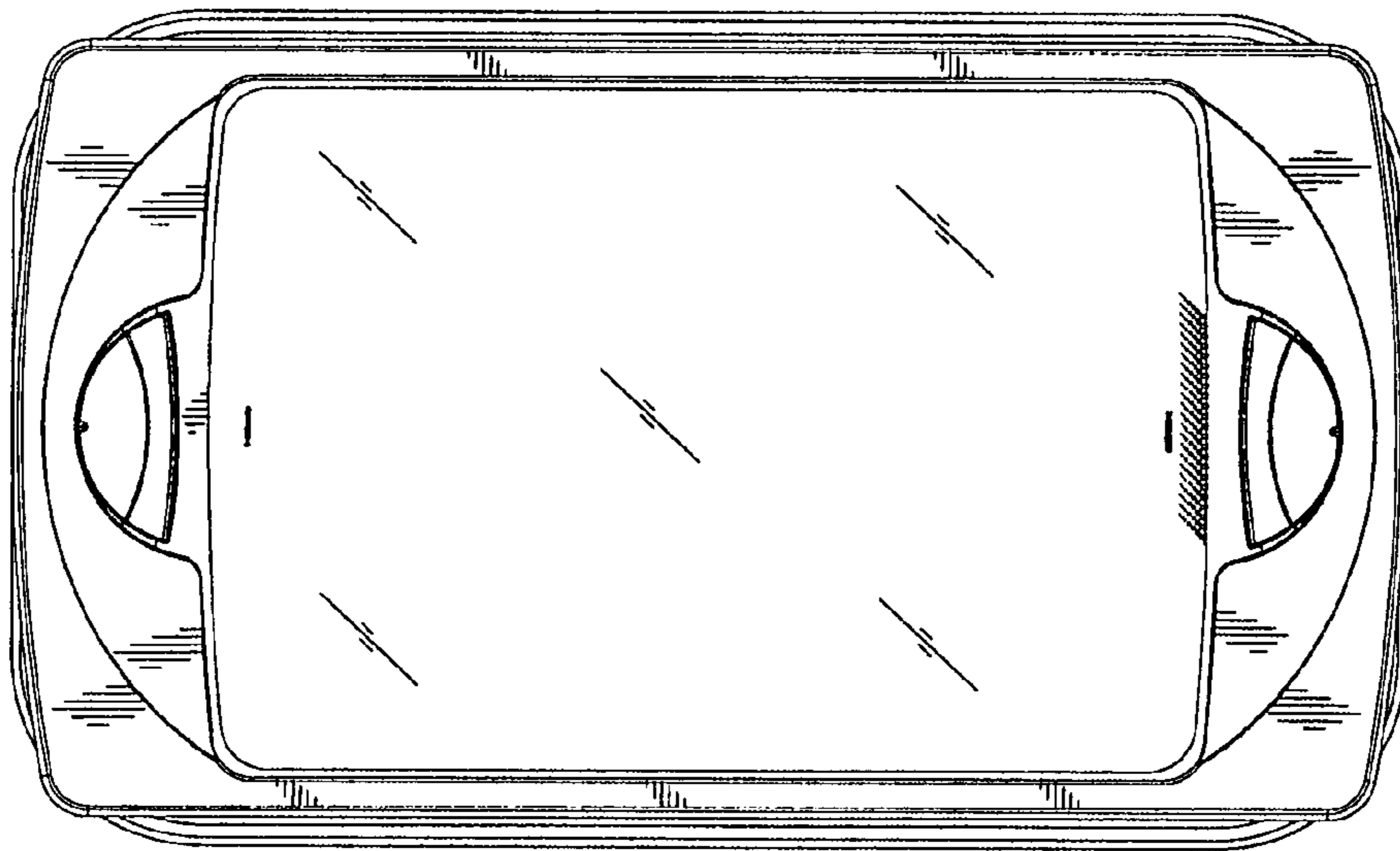


Fig. 2

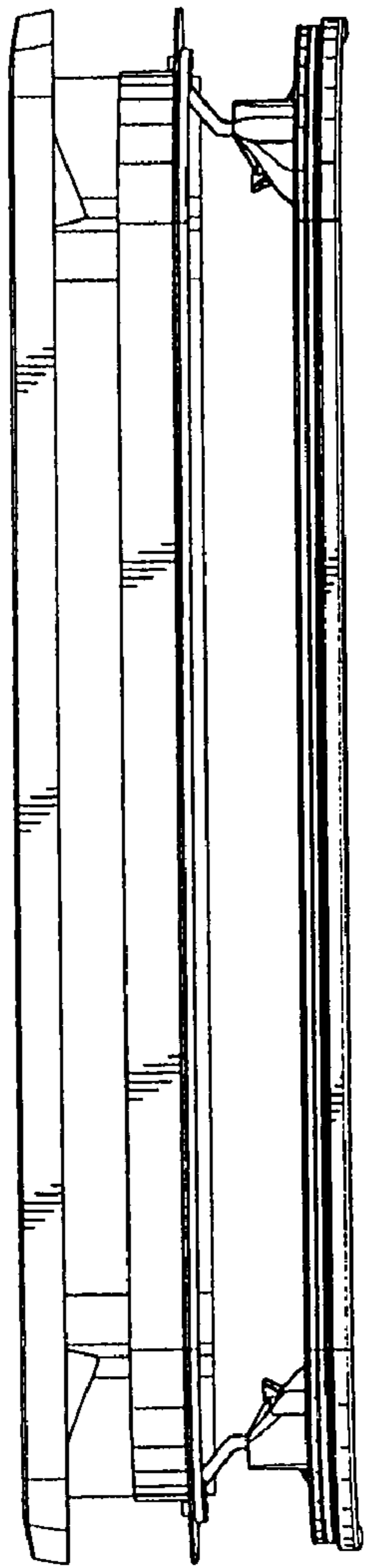


Fig. 4

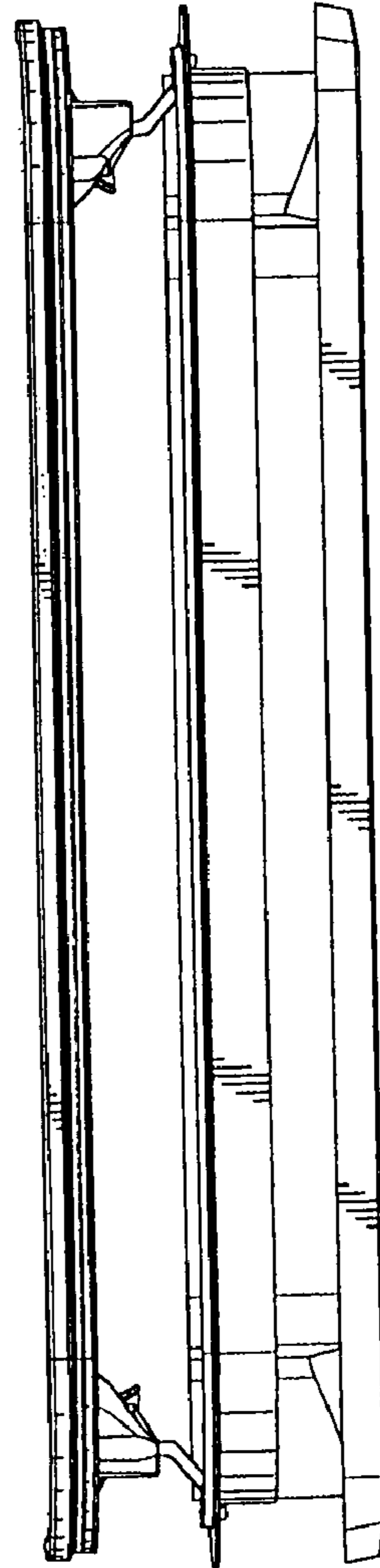


Fig. 5

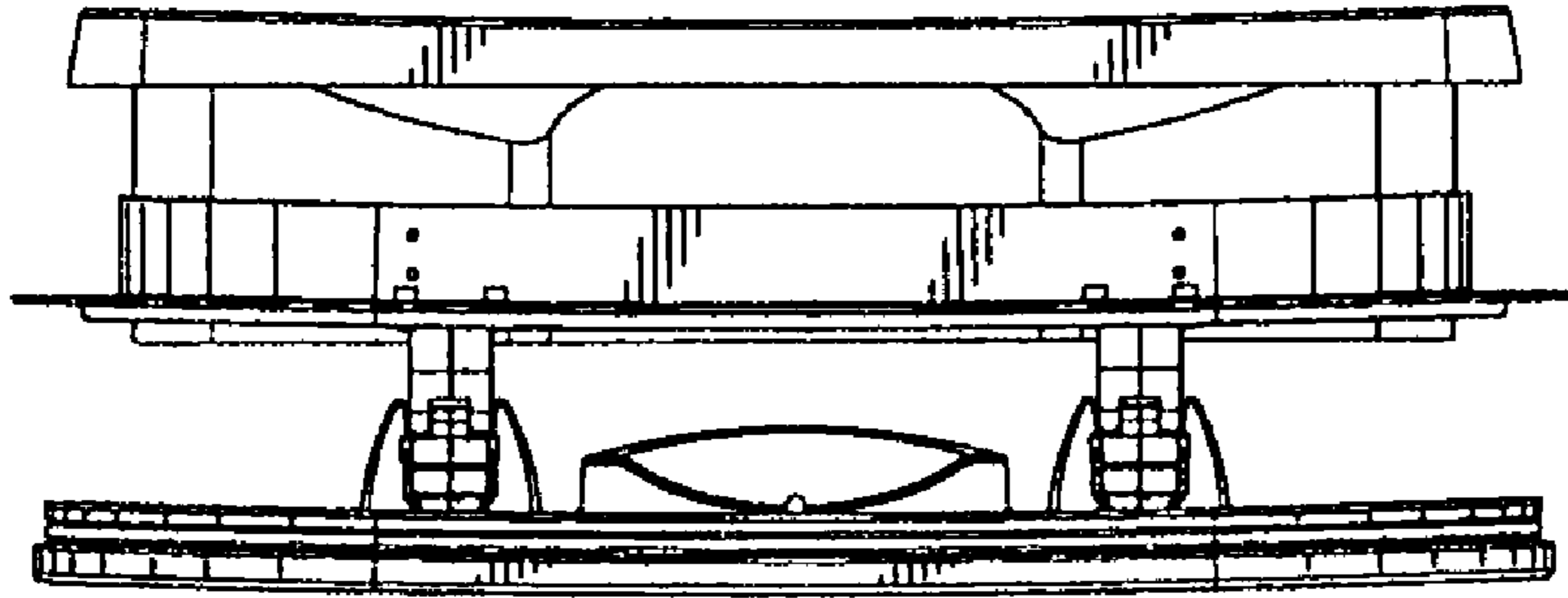


Fig. 7

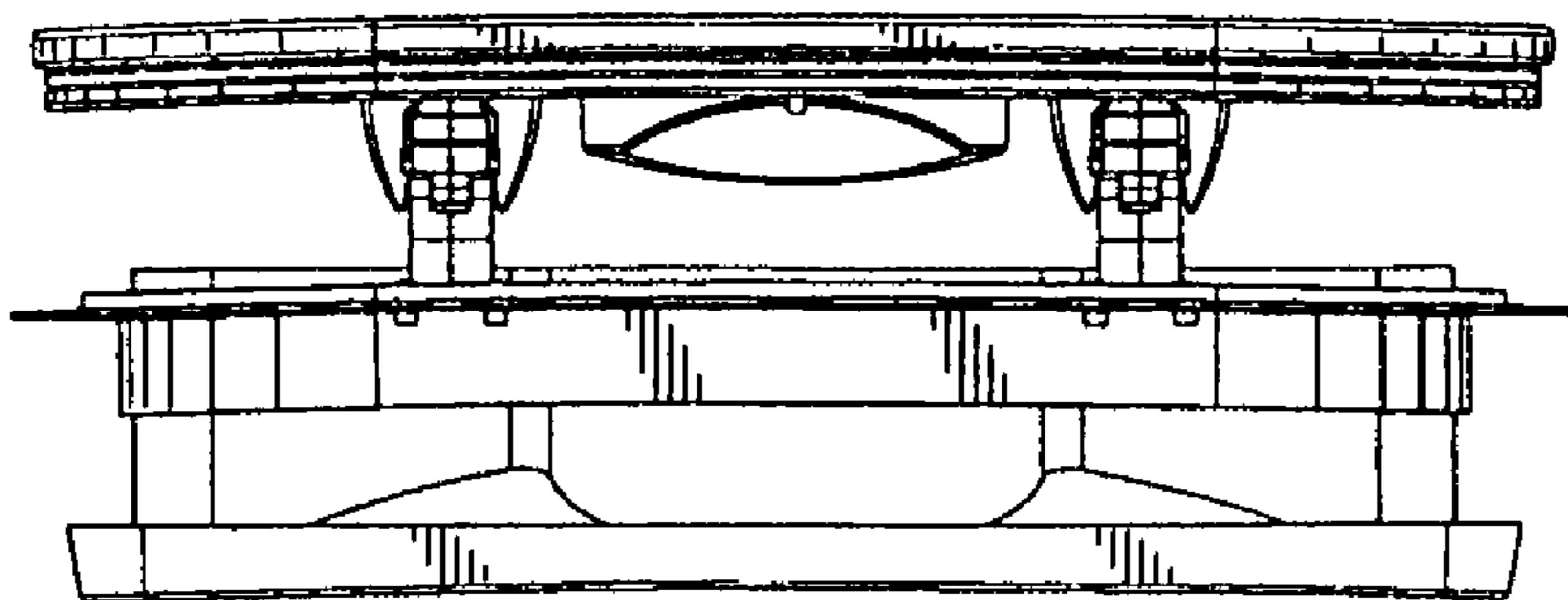


Fig. 6