



US00D553034S

(12) **United States Design Patent**  
**Bechtel et al.**

(10) **Patent No.:** **US D553,034 S**

(45) **Date of Patent:** **\*\* Oct. 16, 2007**

(54) **KITCHEN SCALE WITH REMOVABLE COVER OR PLATE**

D426,479 S \* 6/2000 Gerlach et al. .... D10/91  
D525,546 S \* 7/2006 Stahl et al. .... D10/91

(75) Inventors: **Michel Bechtel**, Binderheim (FR);  
**Marleen Buys**, Weissach Imtal (DE);  
**Vincent Minery**, Strasbourg (FR);  
**Stéphane Neveu**, Strasbourg (FR); **Yan Schnell**, Strasbourg (FR)

\* cited by examiner

*Primary Examiner*—Antoine D. Davis  
(74) *Attorney, Agent, or Firm*—Davis Bujold & Daniels, P.L.L.C.

(73) Assignee: **Channel Way Holdings Co. Ltd.**,  
Tortola (VG)

(57) **CLAIM**

(\*\*) Term: **14 Years**

The ornamental design for a kitchen scale with removable cover or plate, as shown and described.

(21) Appl. No.: **29/255,365**

(22) Filed: **Mar. 7, 2006**

**DESCRIPTION**

(30) **Foreign Application Priority Data**

Sep. 8, 2005 (FR) ..... 05 4337

(51) **LOC (8) Cl.** ..... **10-04**

(52) **U.S. Cl.** ..... **D10/92**

(58) **Field of Classification Search** ..... D10/91-92;  
177/DIG. 3, 238-245, 210 R, 210 C, 25,  
177/30, 25.13-25.16, 126, 127; 600/506,  
600/547

See application file for complete search history.

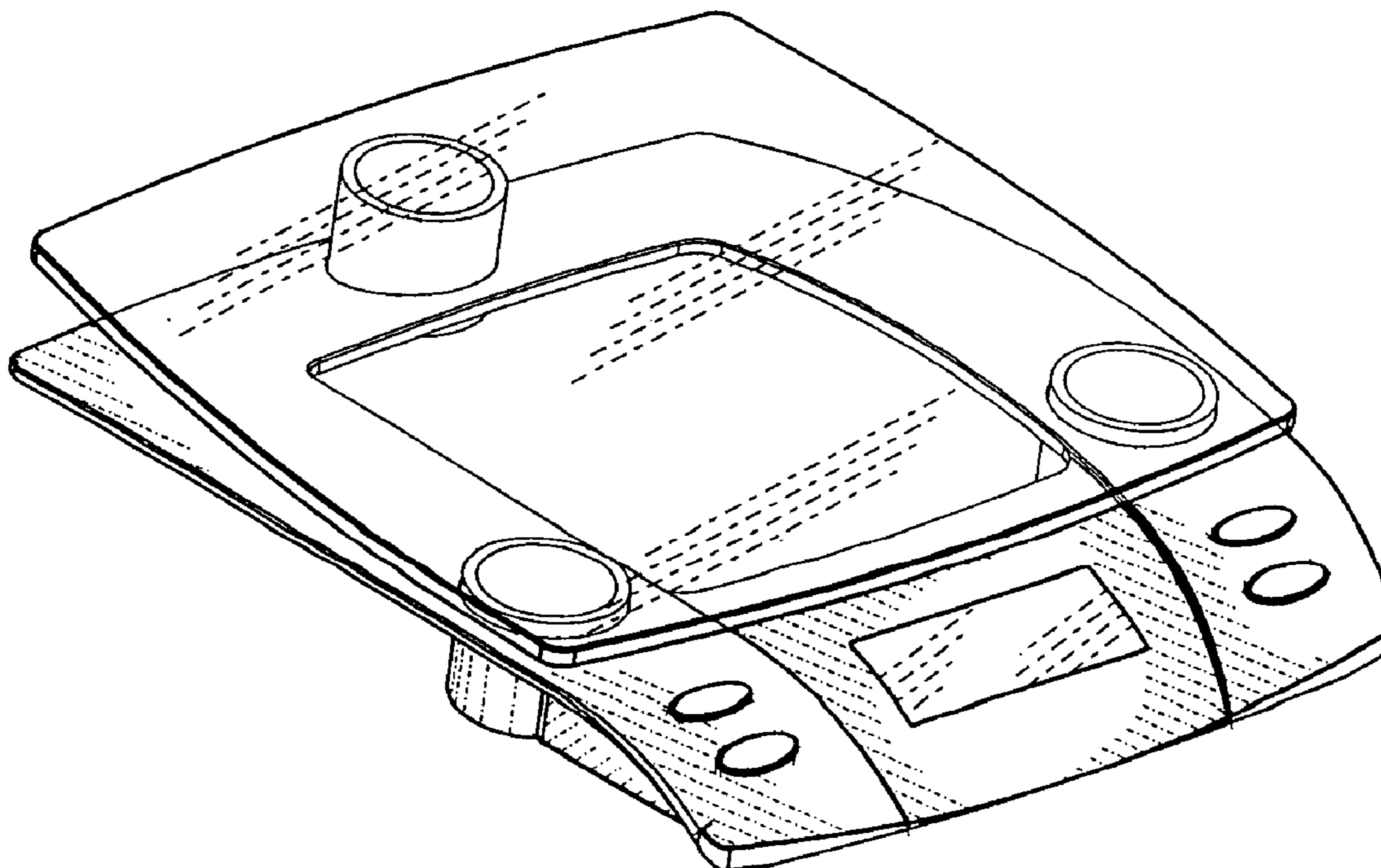
FIG. 1 is a perspective view of a kitchen scale with a removable cover or plate embodying our new design;  
FIG. 2 is a top plan view thereof;  
FIG. 3 is a bottom plan view thereof;  
FIG. 4 is a left side elevational view thereof;  
FIG. 5 is a right side elevational view thereof;  
FIG. 6 is a front elevational view thereof;  
FIG. 7 is a rear elevational view thereof; and,  
FIG. 8 is a perspective view of a kitchen scale with a removable cover or plate of FIG. 1 showing the cover or plate in a removed position.

(56) **References Cited**

**U.S. PATENT DOCUMENTS**

D415,048 S \* 10/1999 Fabian ..... D10/91

**1 Claim, 5 Drawing Sheets**



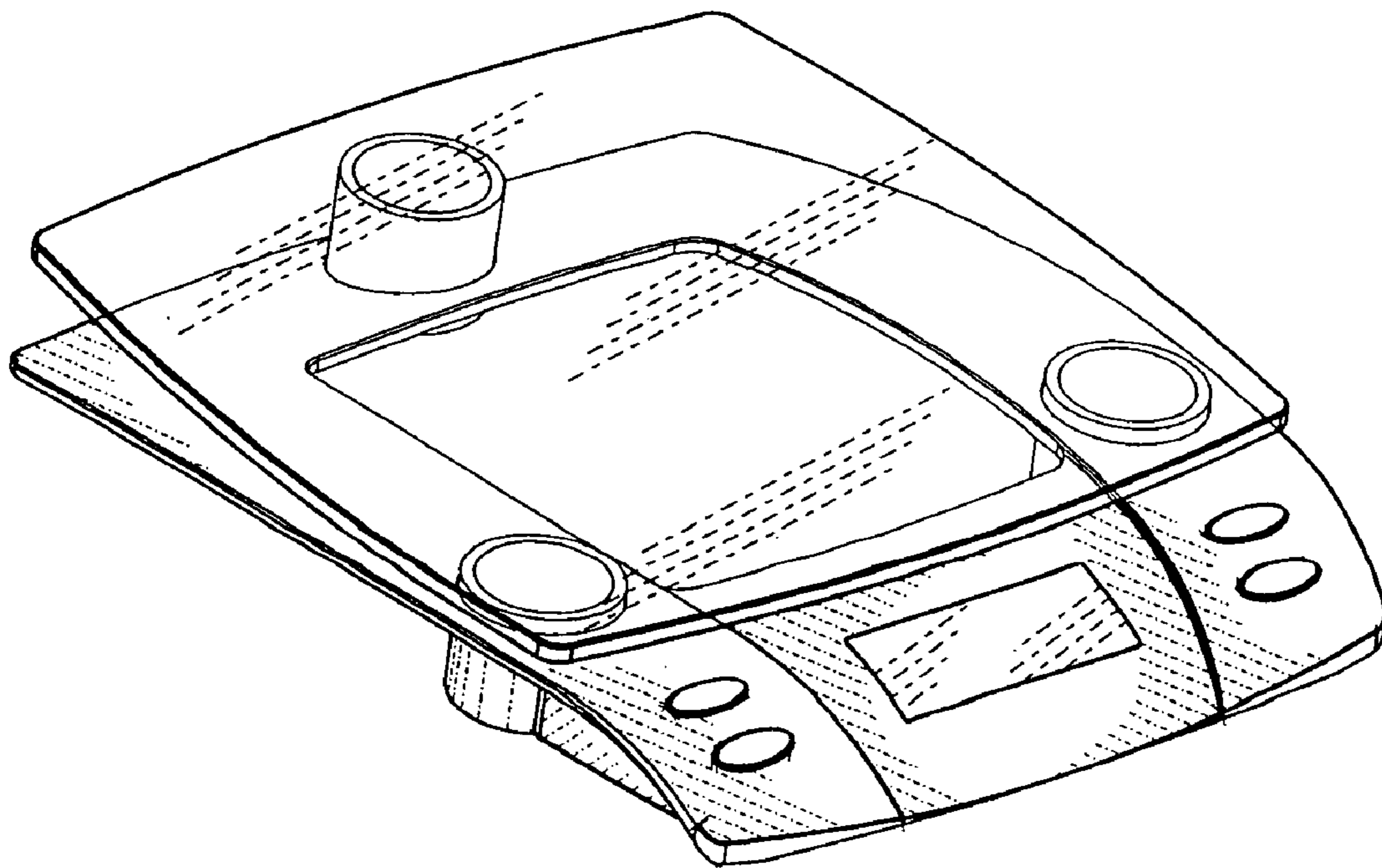
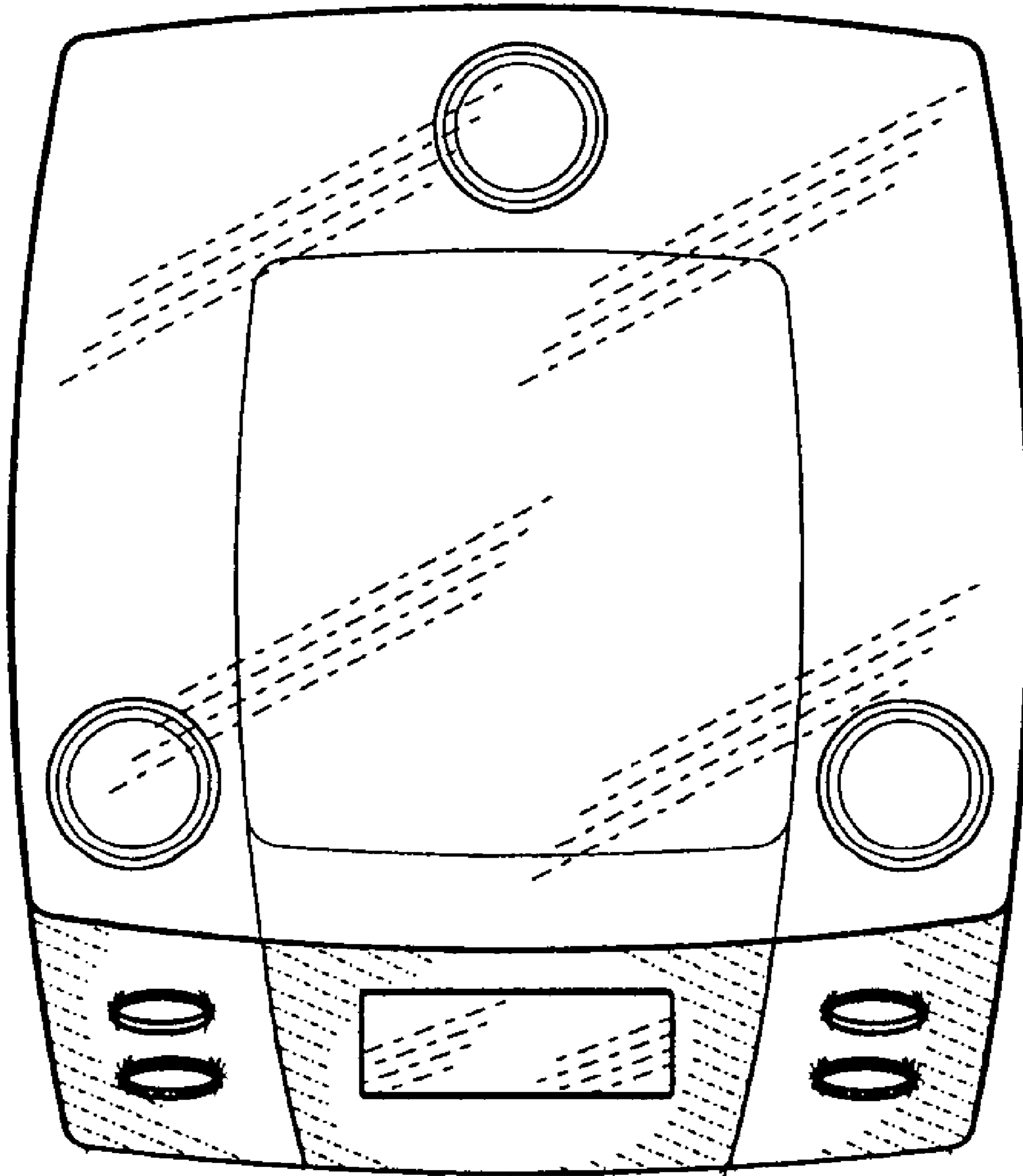
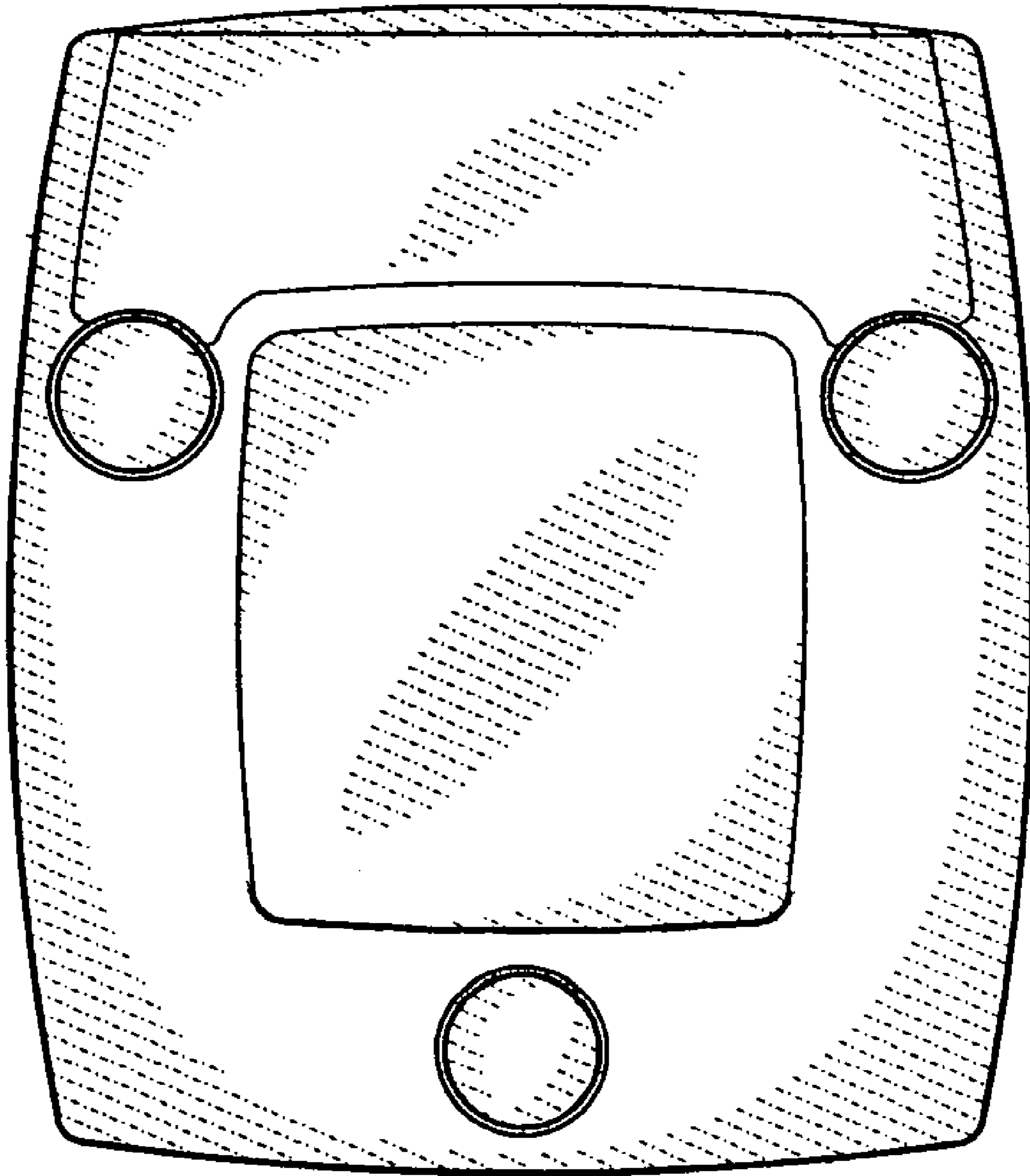


FIG. 1



**FIG. 2**



**FIG. 3**

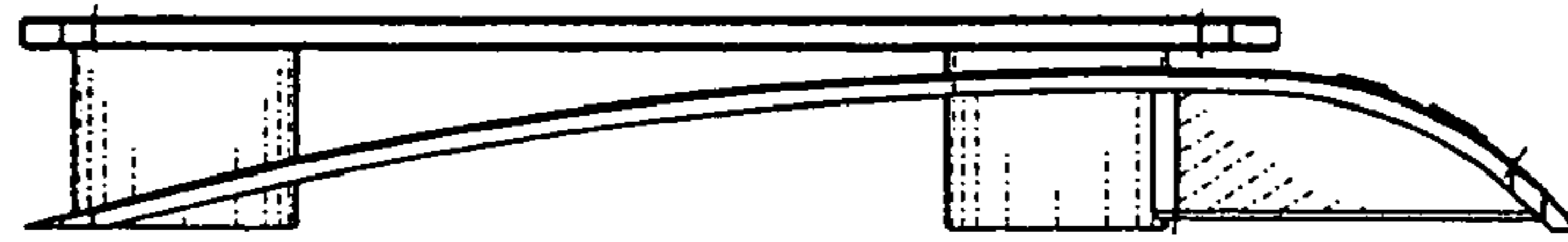


FIG. 4

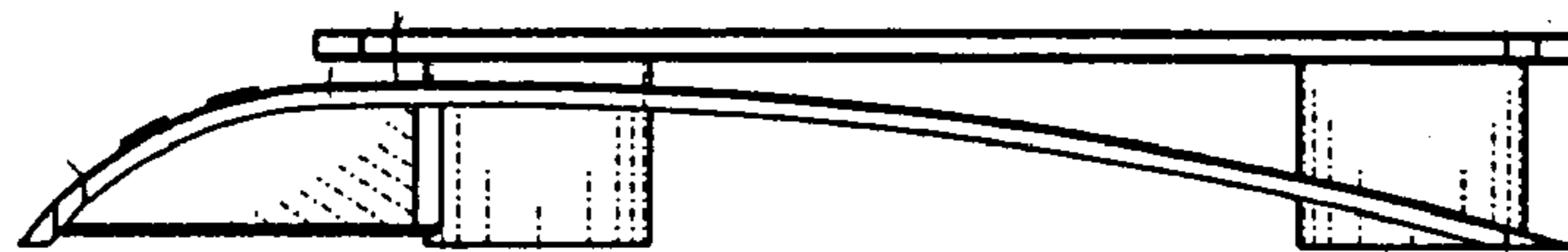


FIG. 5

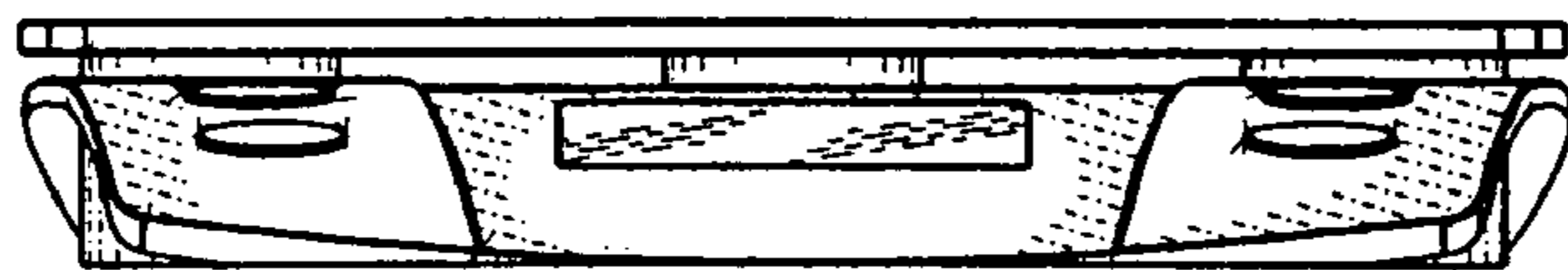


FIG. 6

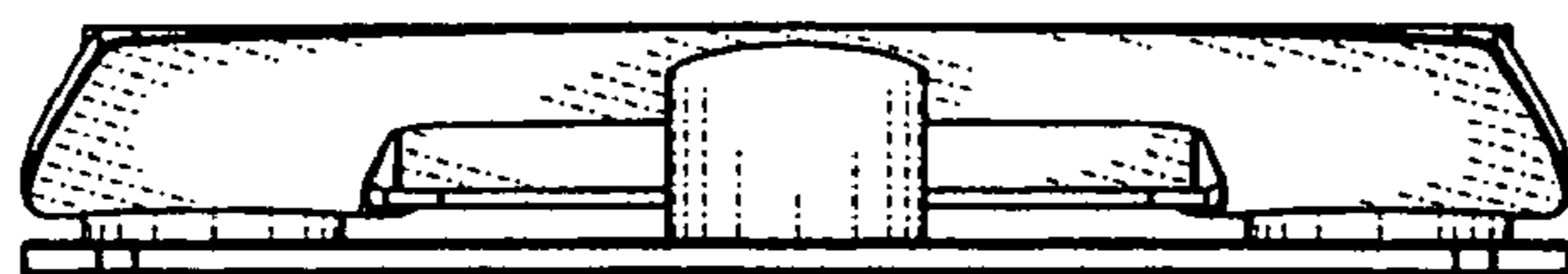


FIG. 7



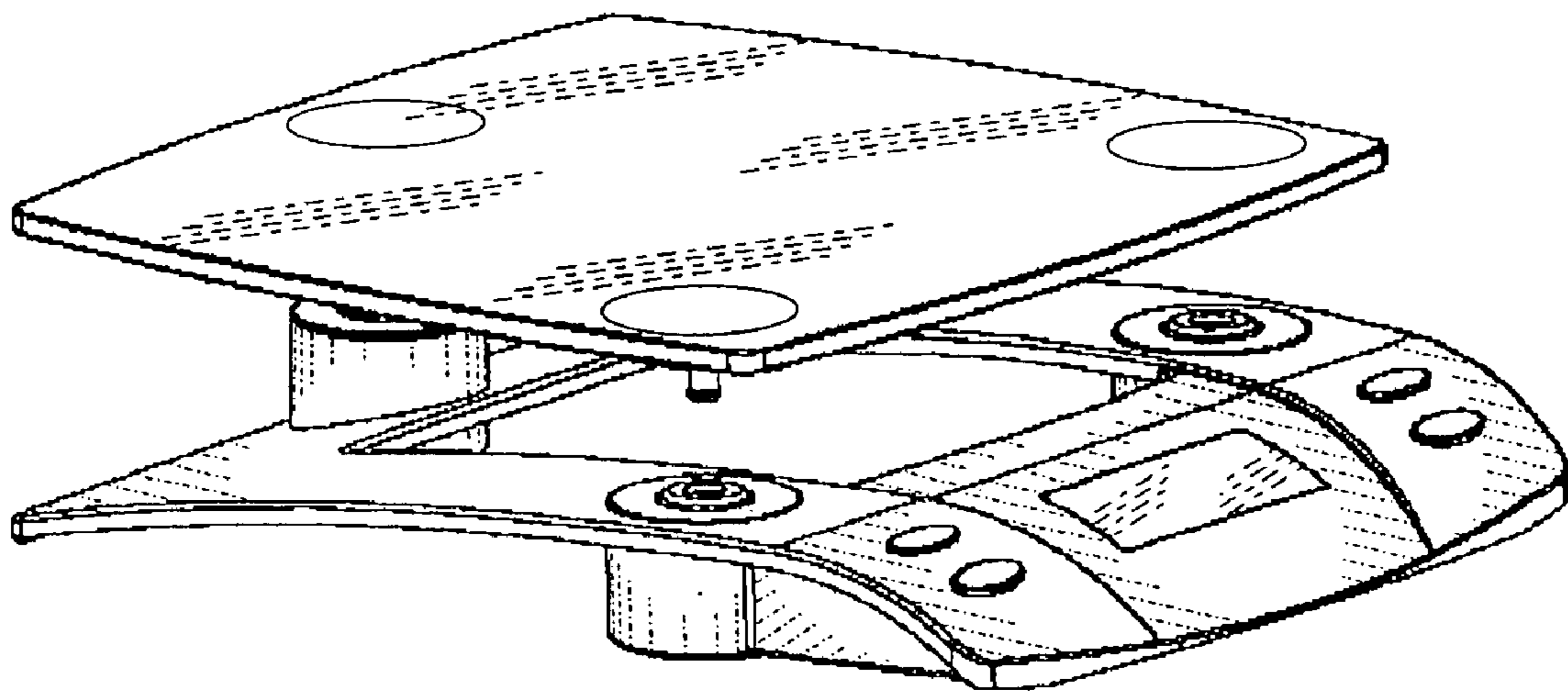


FIG. 8