



US00D553031S

(12) **United States Design Patent**
Yuen

(10) **Patent No.:** **US D553,031 S**

(45) **Date of Patent:** **** Oct. 16, 2007**

(54) **HAND CRANK DIGITAL TIRE GAUGE AND LED EMERGENCY FLASHLIGHT**

Primary Examiner—Antoine D. Davis
(74) *Attorney, Agent, or Firm*—Akerman Senterfitt

(76) Inventor: **Se Kit Yuen**, 6/F, Yau Lee Centre, 45 Hoi Yuen Road, Kwun Tong, Kowloon (HK)

(57) **CLAIM**

The ornamental design of a hand crank digital tire gauge and LED emergency flashlight, as shown and described.

(**) Term: **14 Years**

(21) Appl. No.: **29/247,167**

(22) Filed: **Jun. 2, 2006**

DESCRIPTION

(51) **LOC (8) Cl.** **10-04**

(52) **U.S. Cl.** **D10/86**

(58) **Field of Classification Search** D10/86;
73/732, 744, 742, 717, 741, 146.3, 146.8;
116/34 R, 272; 702/140

See application file for complete search history.

FIG. 1 is a front, top and side perspective view of the hand crank digital tire gauge and LED emergency flashlight;

FIG. 2 is a rear, bottom and other side perspective view thereof;

FIG. 3 is a front view thereof;

FIG. 4 is a rear view thereof;

FIG. 5 is a side view thereof;

FIG. 6 is an other side view thereof;

FIG. 7 is a top view thereof; and,

FIG. 8 is a bottom view thereof.

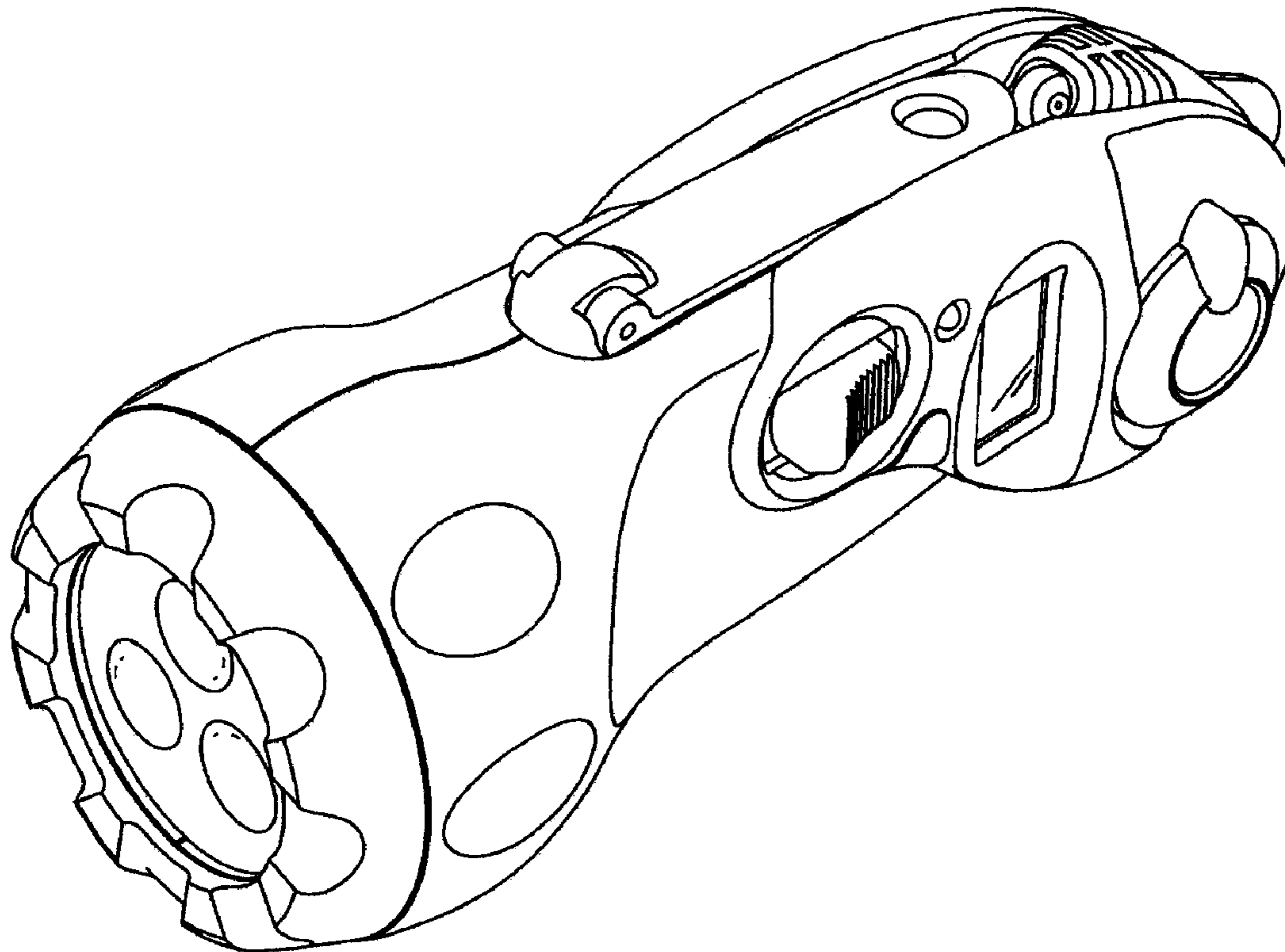
(56) **References Cited**

U.S. PATENT DOCUMENTS

4,884,175	A *	11/1989	Weng	362/119
5,435,173	A *	7/1995	Hwang	73/146.8
5,435,174	A *	7/1995	Yeh	73/146.8
6,341,426	B1 *	1/2002	Okumura	33/1 PT

* cited by examiner

1 Claim, 4 Drawing Sheets



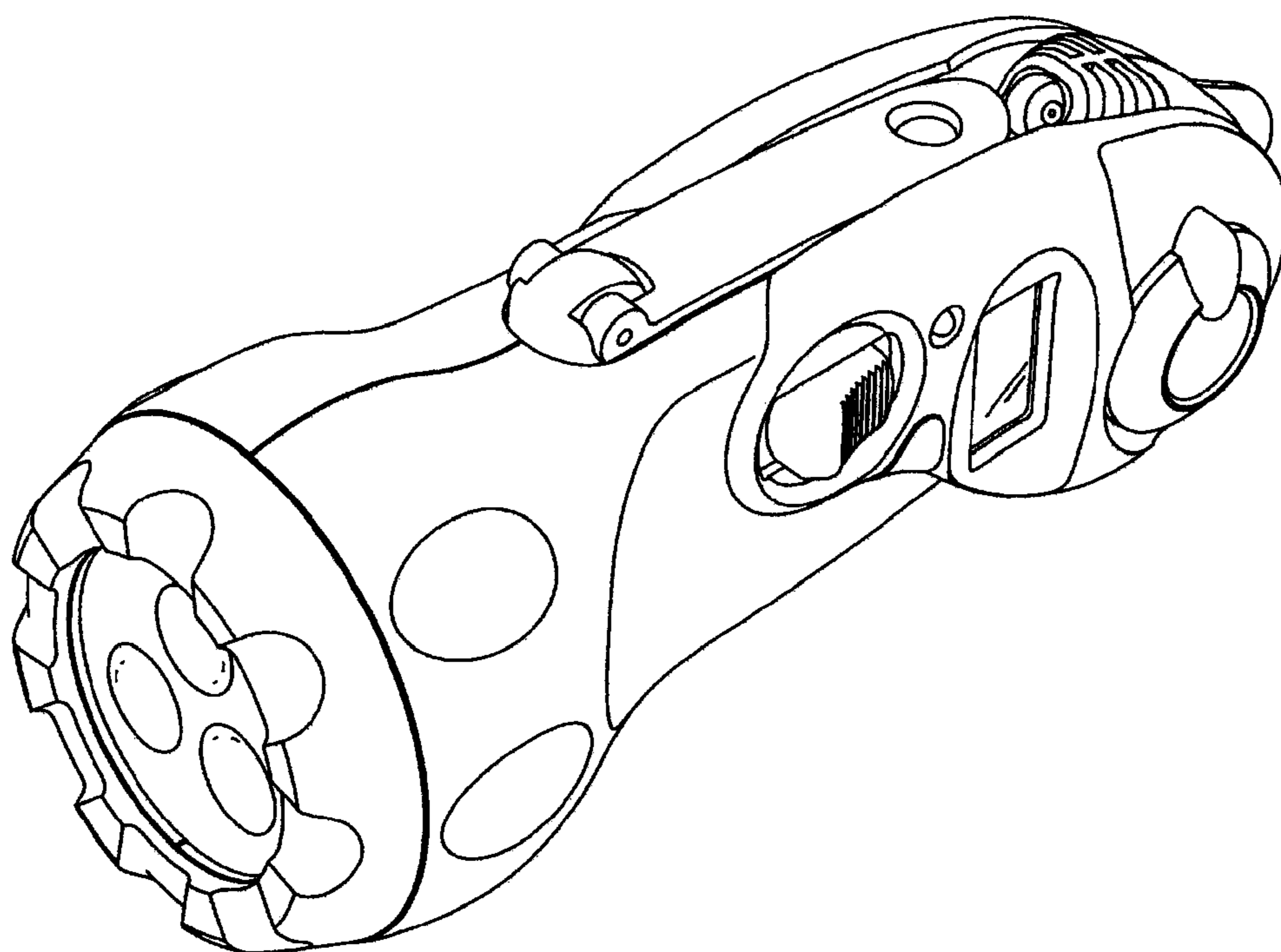


FIG. 1

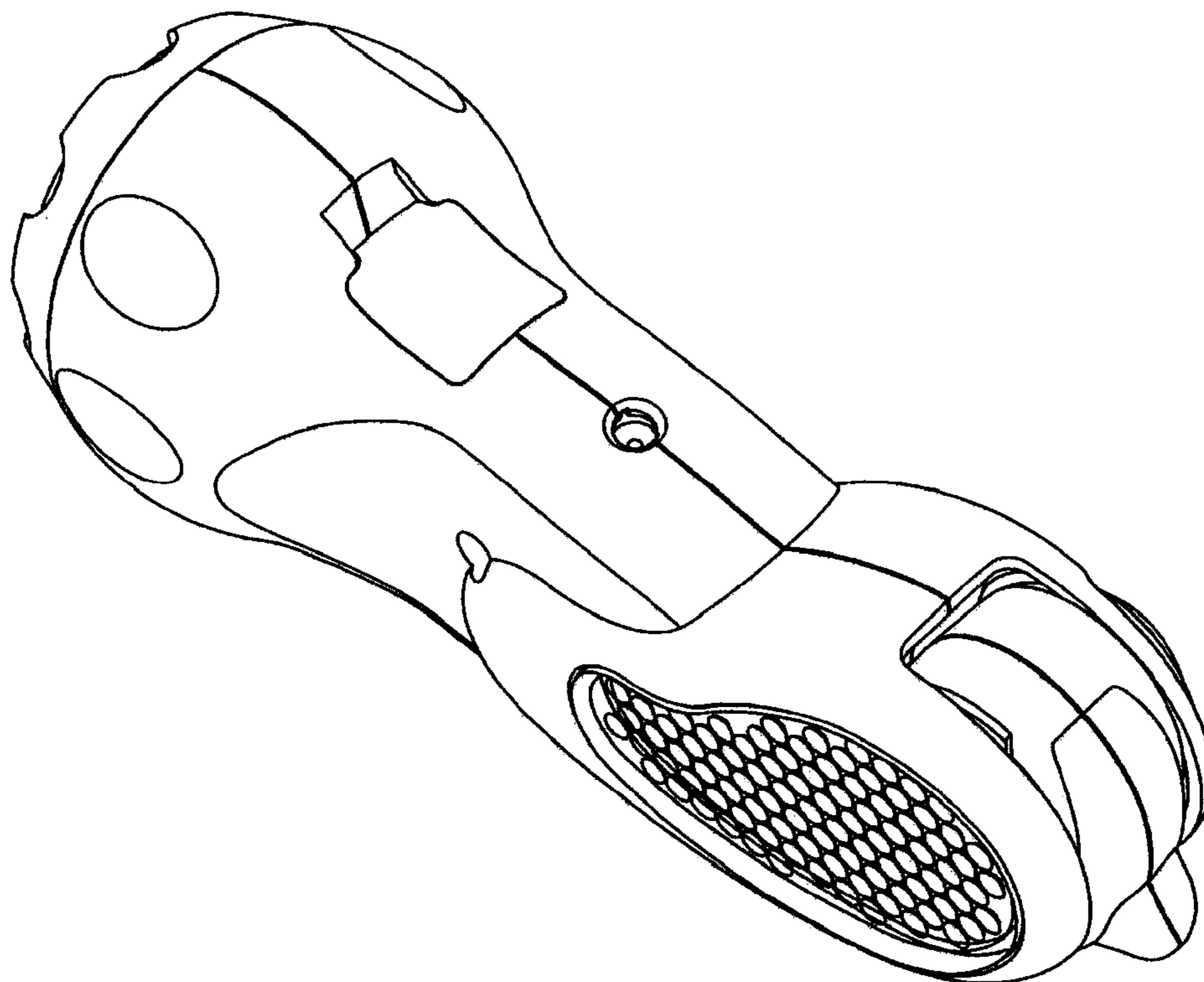


FIG. 2

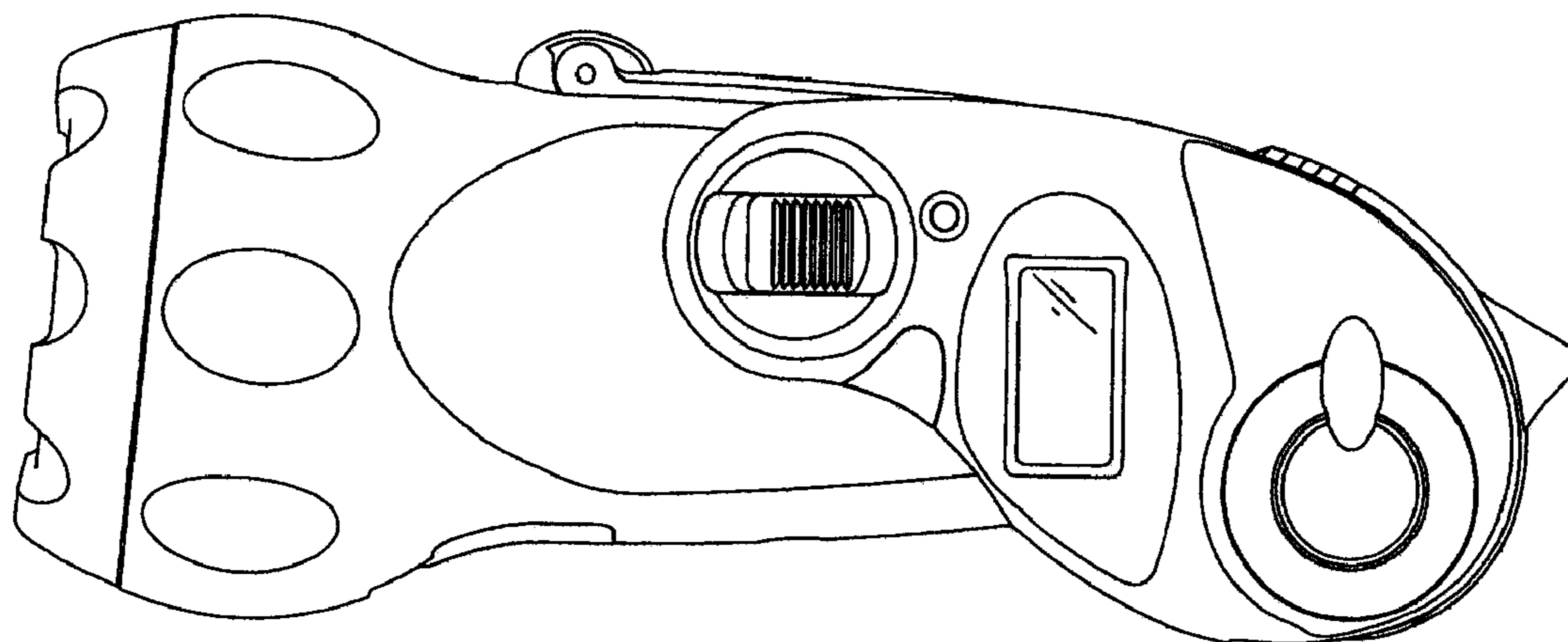


FIG. 3

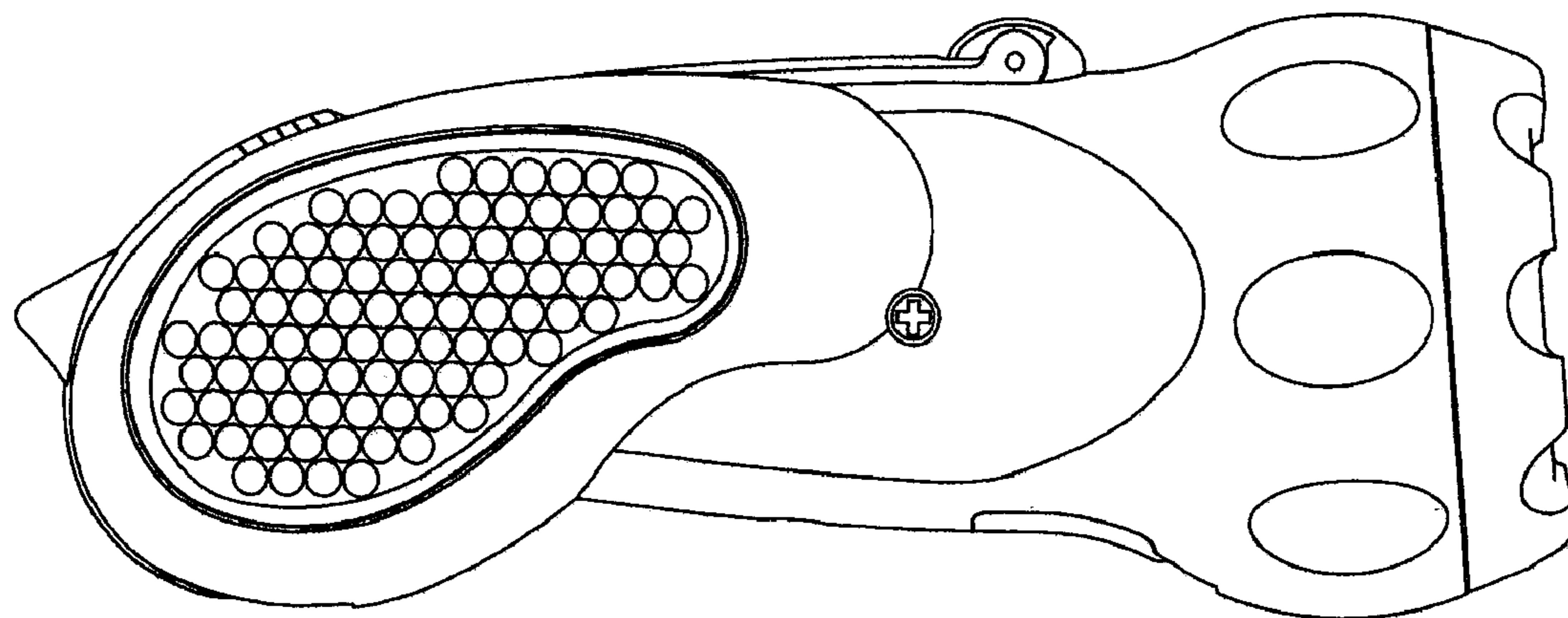


FIG. 4

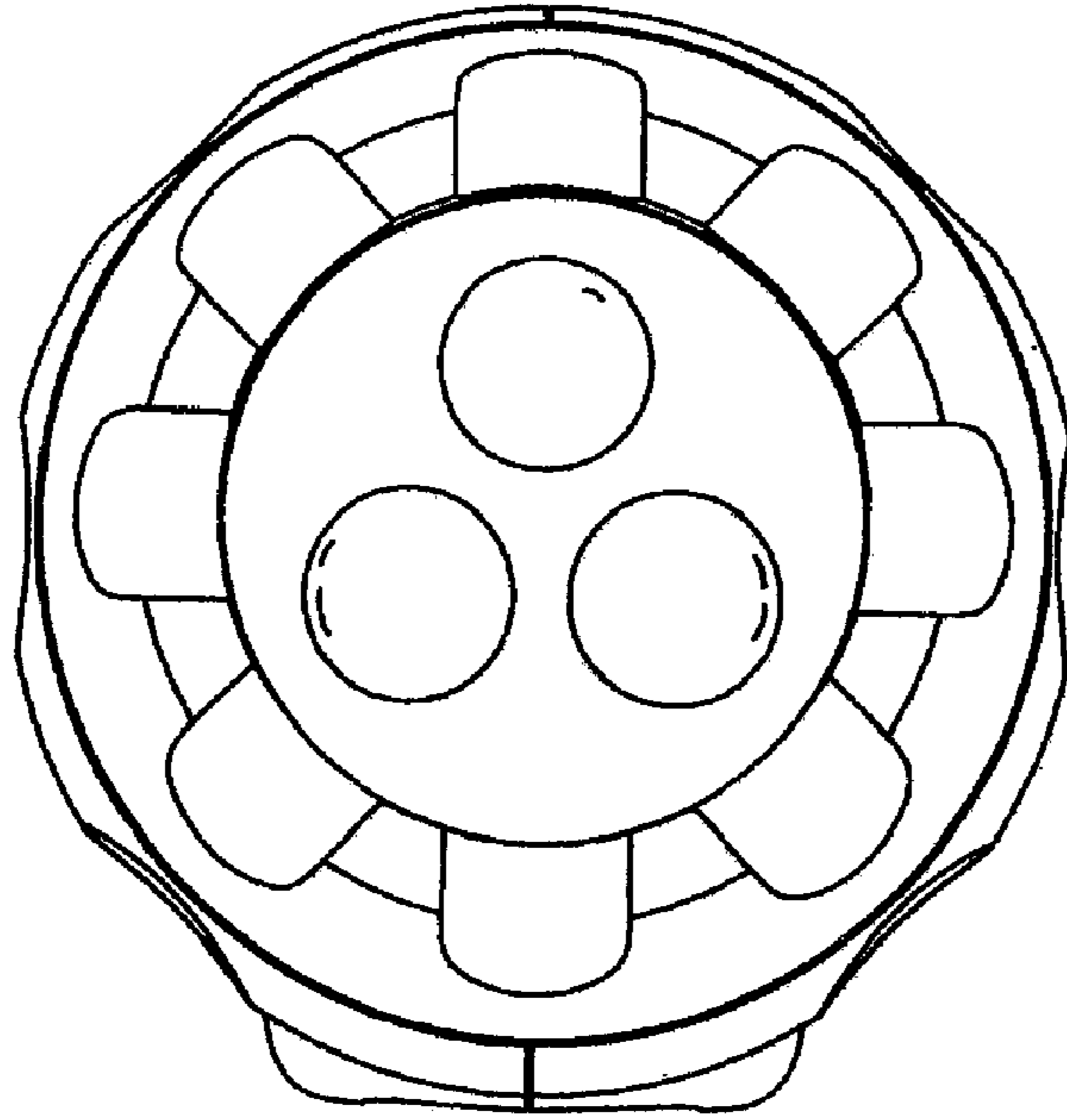


FIG. 5

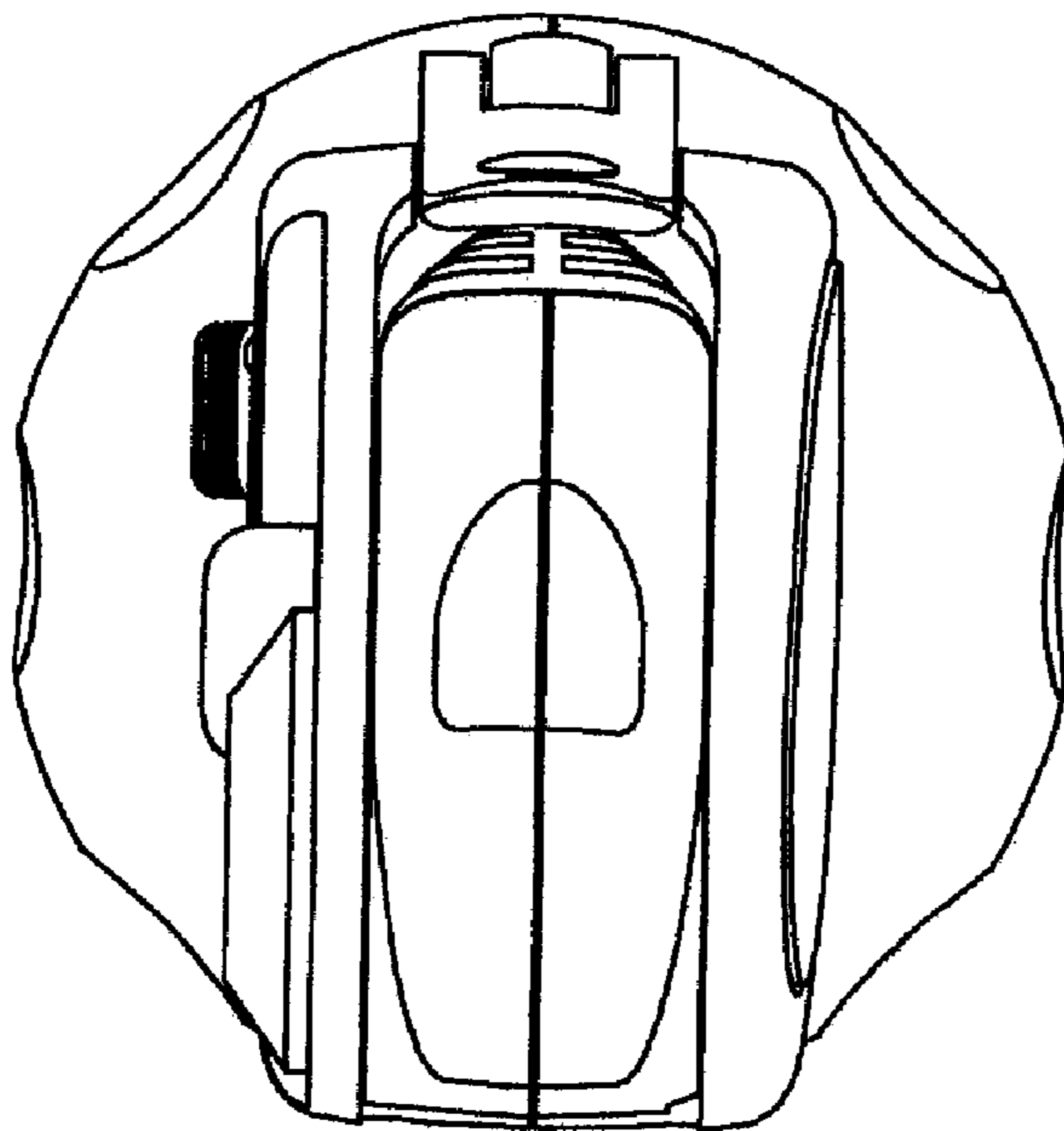


FIG. 6

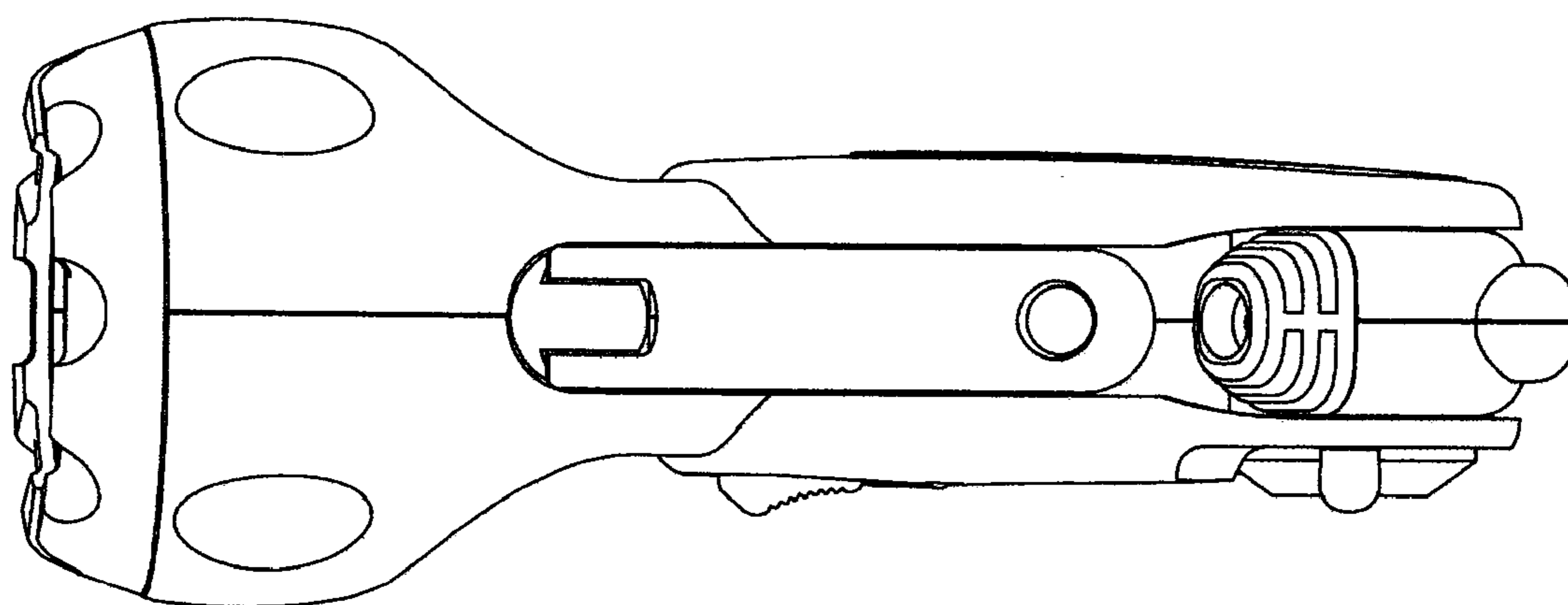


FIG. 7

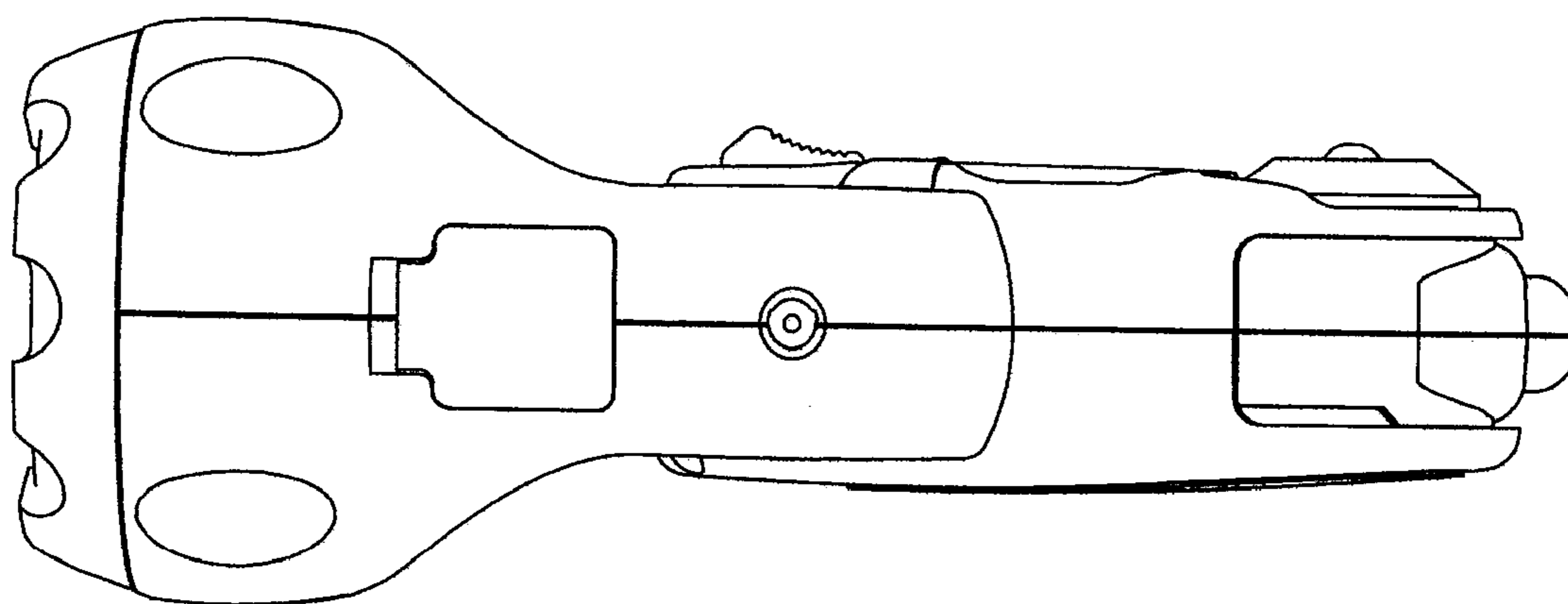


FIG. 8