



US00D553028S

(12) **United States Design Patent**
Sumner

(10) **Patent No.:** **US D553,028 S**

(45) **Date of Patent:** **** Oct. 16, 2007**

(54) **TAPE MEASURE GUIDE**

(74) *Attorney, Agent, or Firm*—Mark E. Brown

(76) **Inventor:** **Melvin W. Sumner**, 234 S. Elm,
Ottawa, KS (US) 66067

(57) **CLAIM**

The ornamental design for a tape measure guide, as shown and described.

(**) **Term:** **14 Years**

(21) **Appl. No.:** **29/255,081**

DESCRIPTION

(22) **Filed:** **Mar. 4, 2006**

FIG. 1 is an upper, front, left side perspective view of a tape measure guide showing my new design, the broken lines show a tape measure and are for illustrative purposes only;

(51) **LOC (8) Cl.** **10-04**

(52) **U.S. Cl.** **D10/74**

(58) **Field of Classification Search** D10/74;
33/758, 770, 760, 668, 768

FIG. 2 is a top plan view thereof;

FIG. 3 is a bottom plan view thereof;

FIG. 4 is a left side elevational view thereof; the right side elevation being a mirror image thereof;

See application file for complete search history.

FIG. 5 is a front elevational view thereof;

(56) **References Cited**

U.S. PATENT DOCUMENTS

4,999,924 A * 3/1991 Shields 33/770

5,600,894 A * 2/1997 Blackman et al. 33/758

6,101,734 A * 8/2000 Ten Caat et al. 33/770

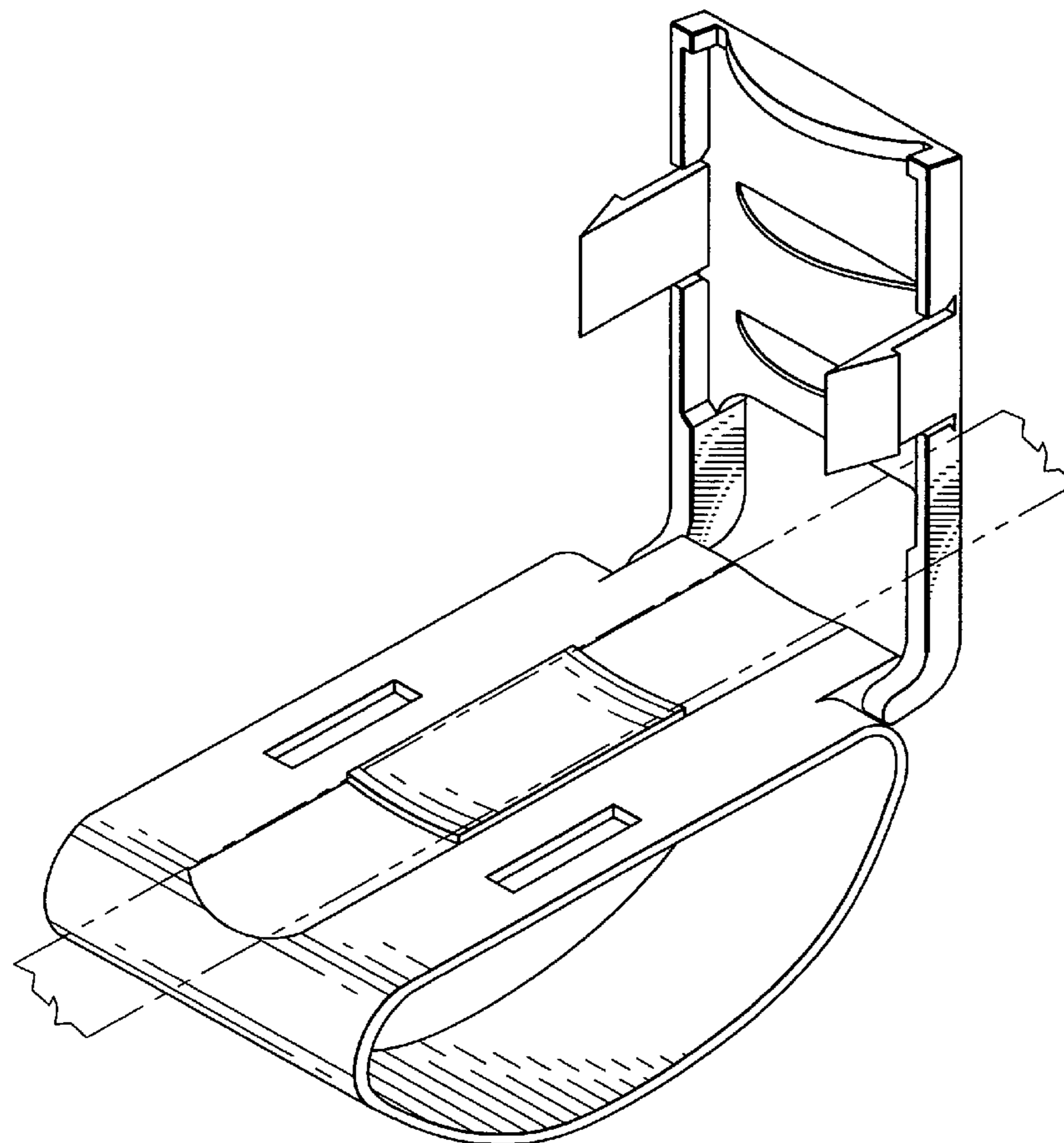
FIG. 6 is a rear elevational view thereof; and,

FIG. 7 is an upper, front, left side perspective view thereof, showing the tape measure guide in an open position thereof, the broken lines show a tape measure and are for illustrative purposes only.

* cited by examiner

Primary Examiner—Antoine D. Davis

1 Claim, 7 Drawing Sheets



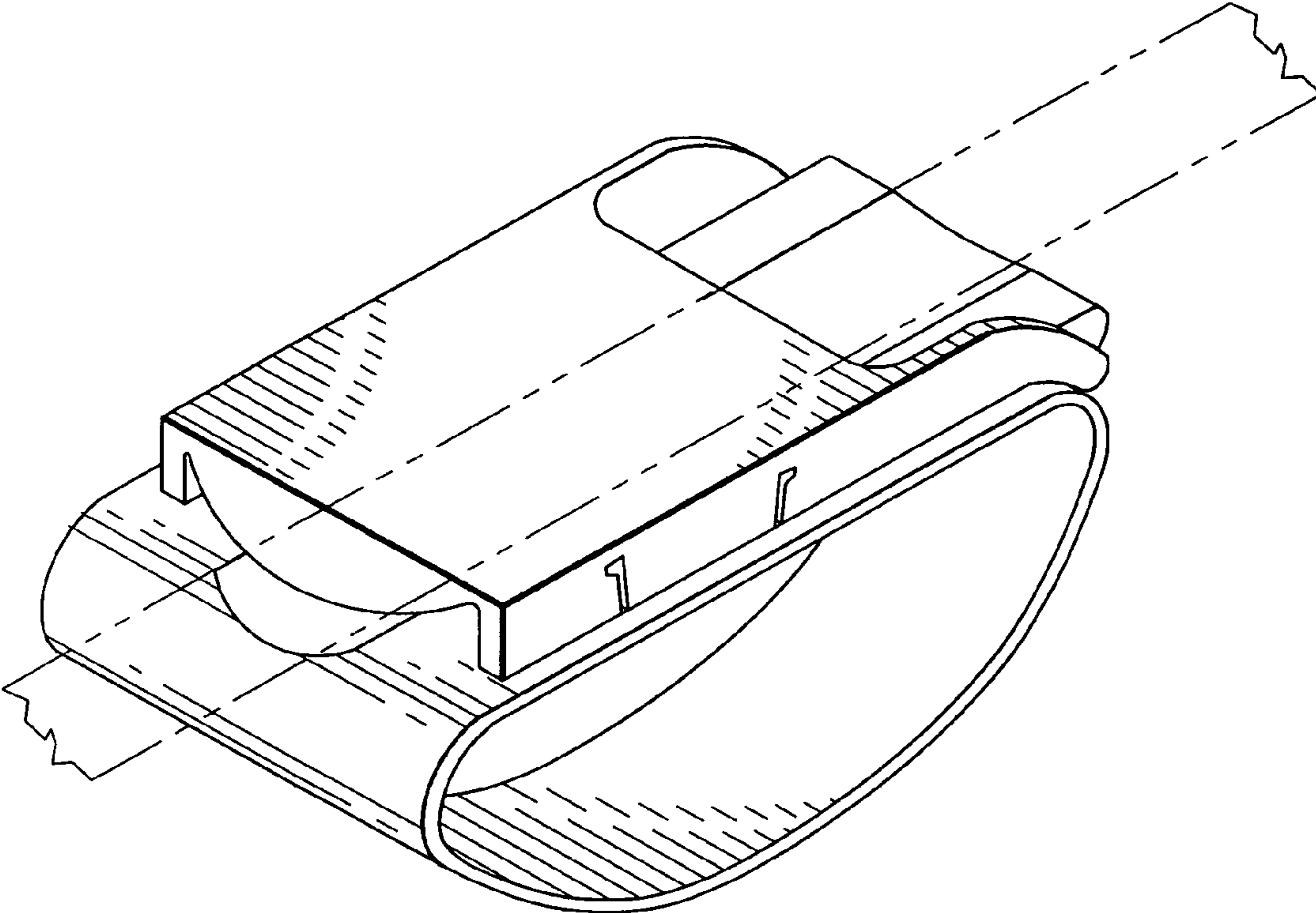


FIG. 1

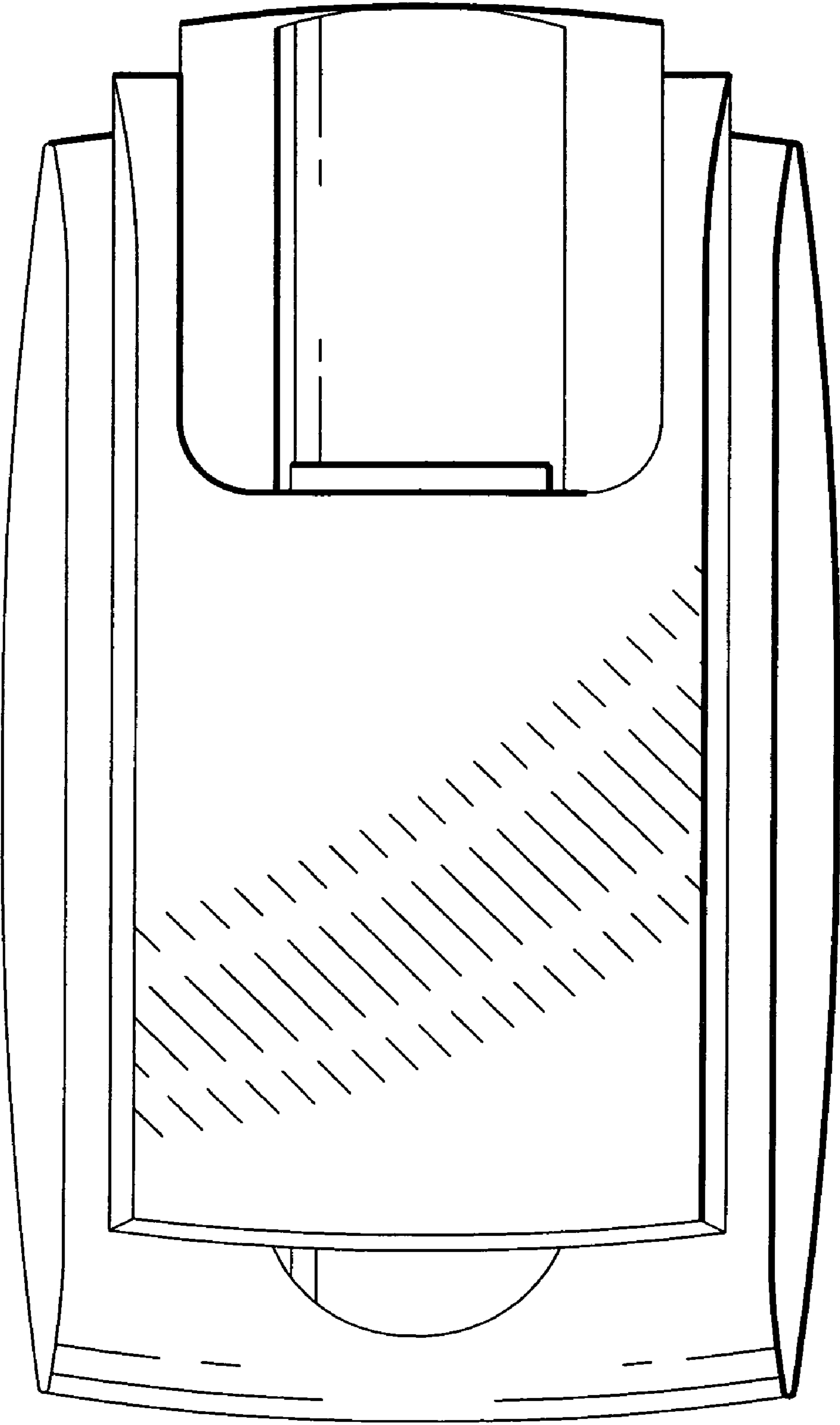


FIG. 2

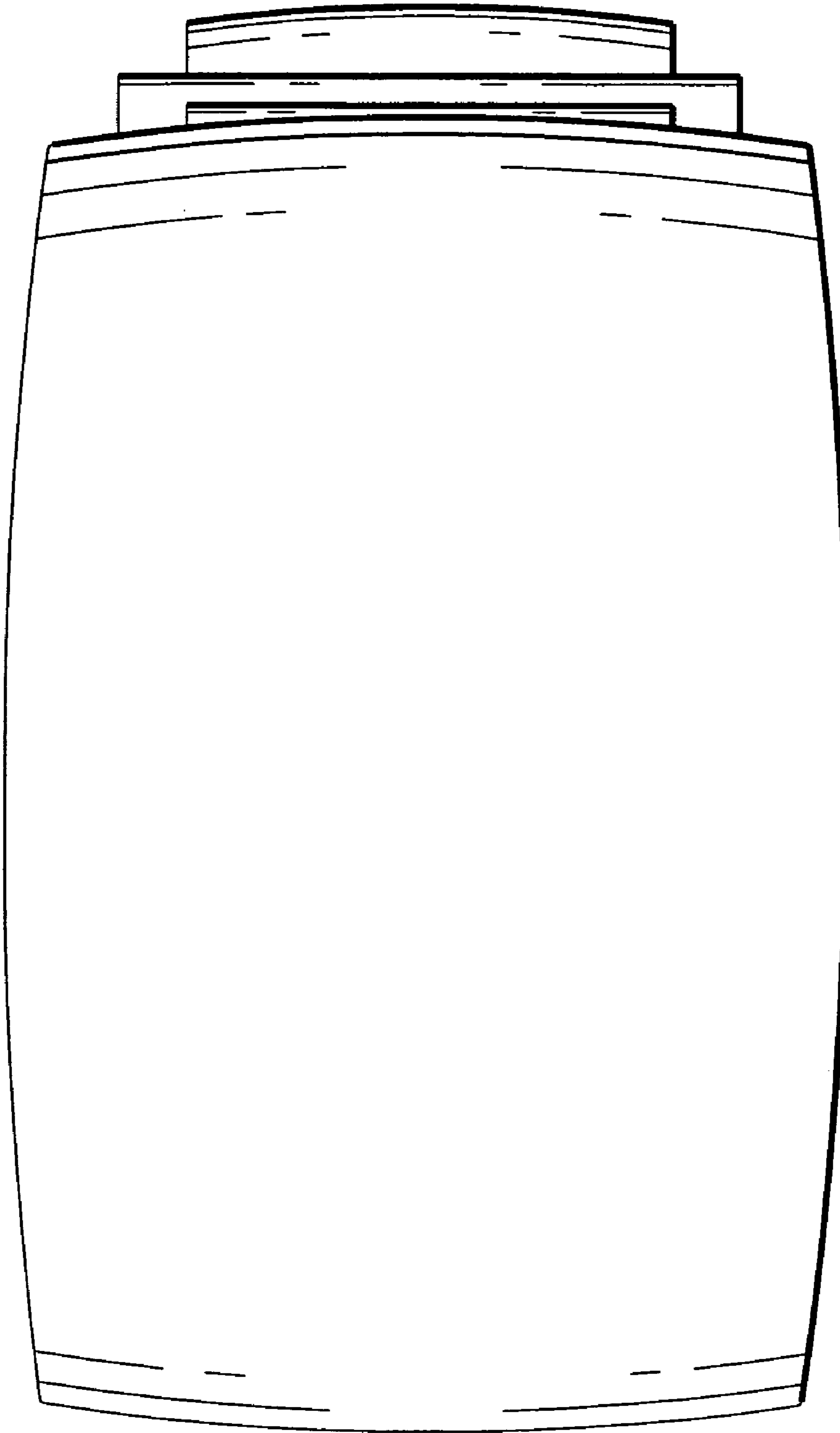


FIG. 3

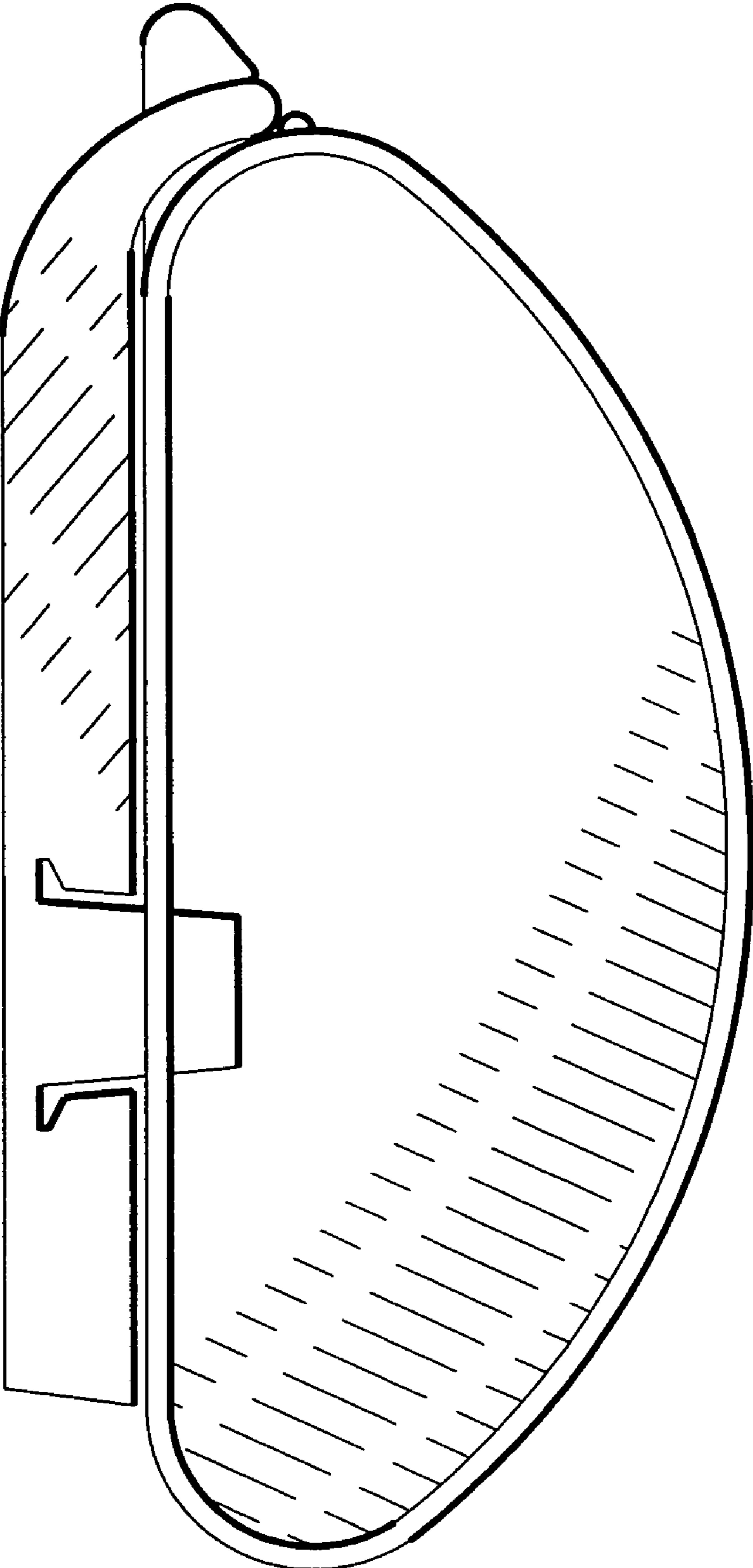


FIG. 4

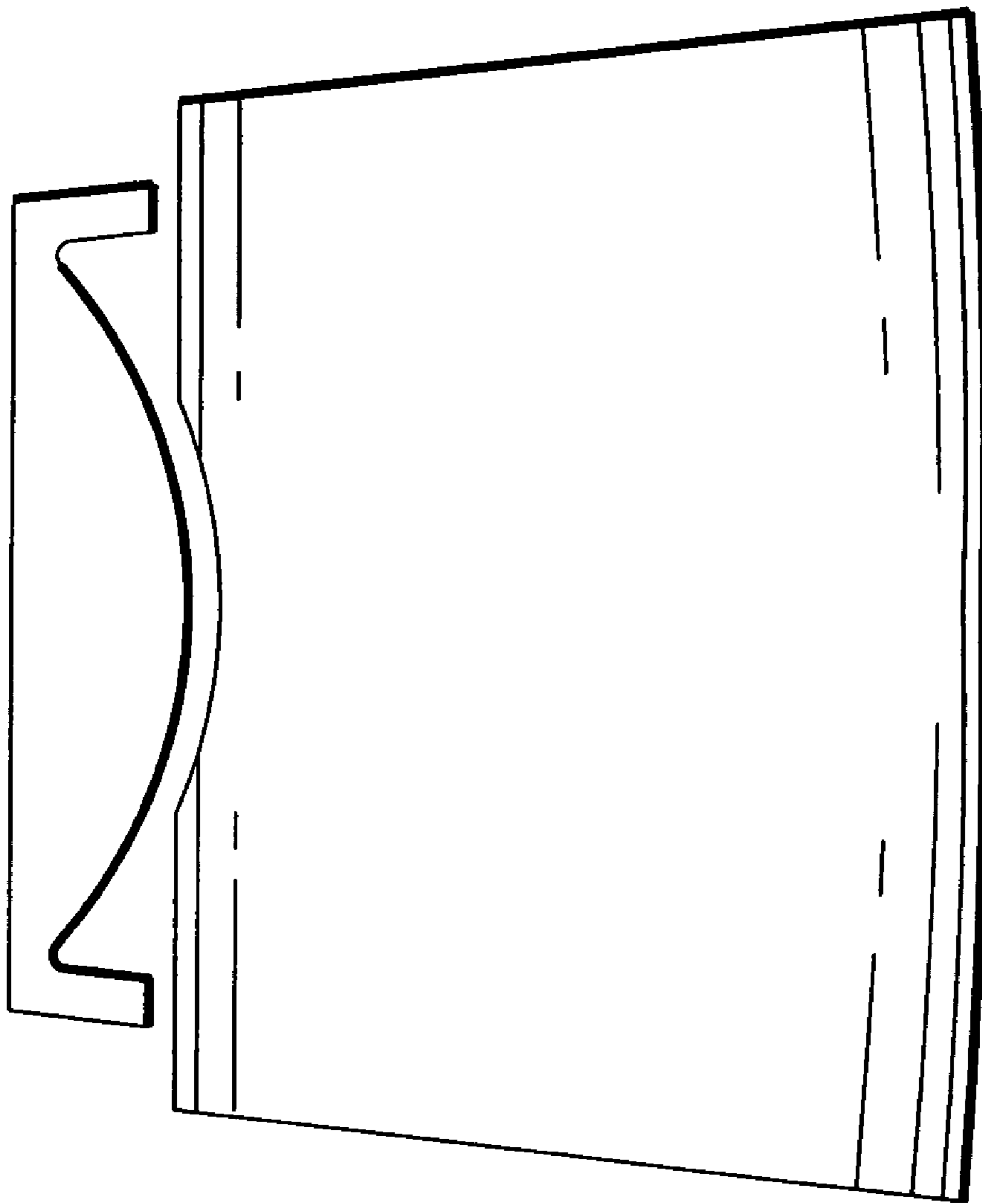


FIG. 5

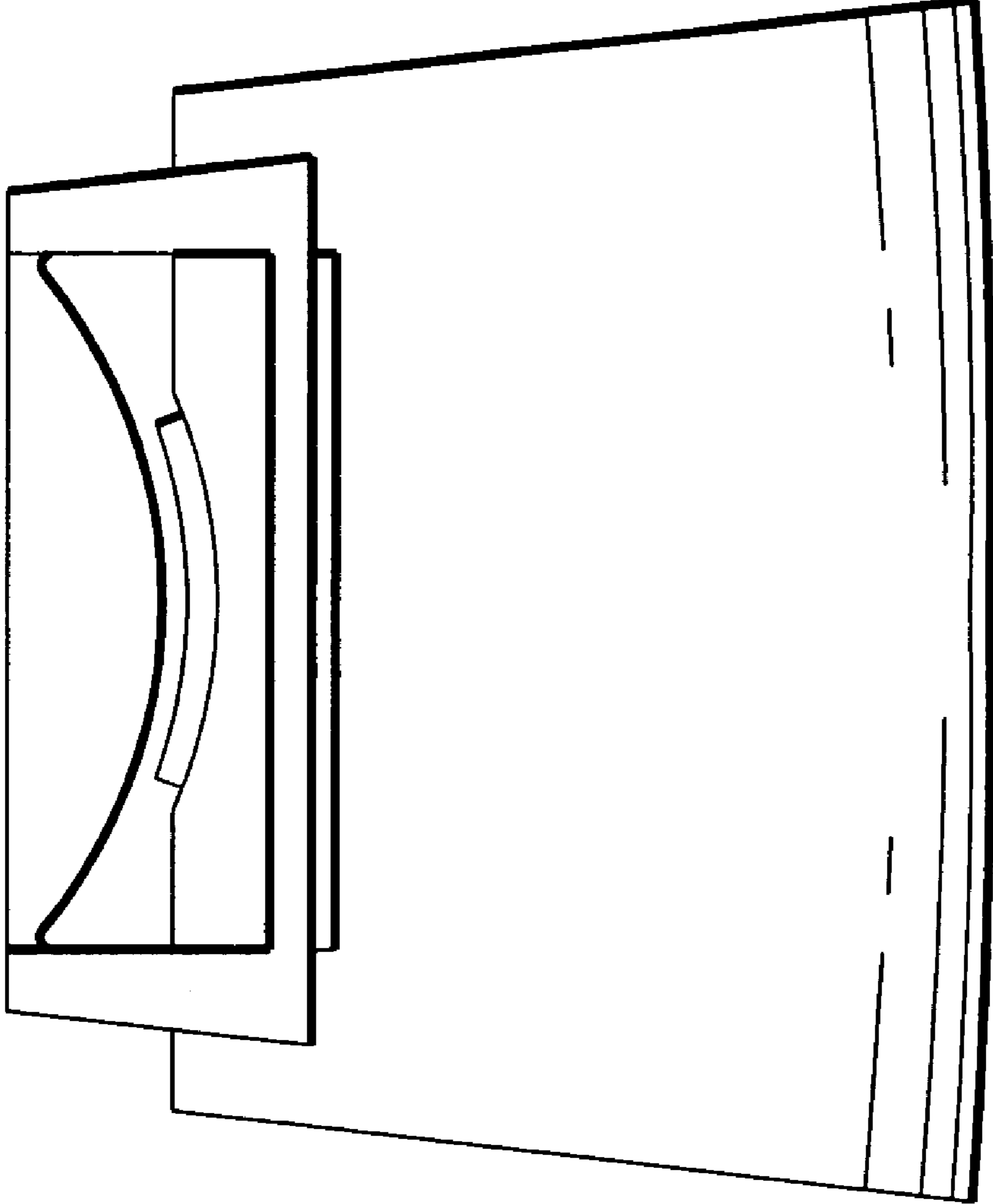


FIG. 6

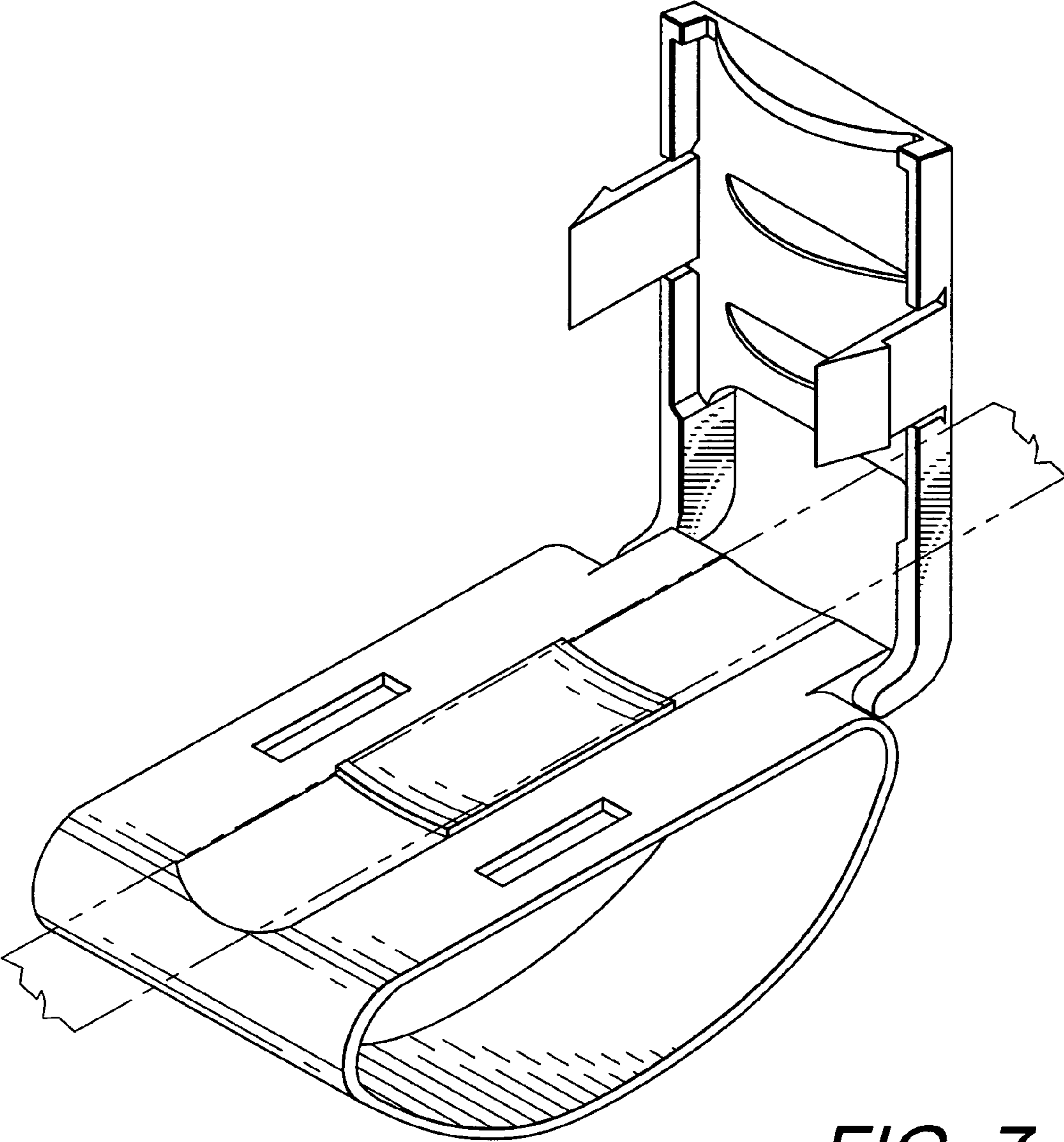


FIG. 7