



US00D553025S

(12) **United States Design Patent**  
**Kuzmin**

(10) **Patent No.:** **US D553,025 S**

(45) **Date of Patent:** **\*\* Oct. 16, 2007**

(54) **SUPPORT RIB FOR WINDSOCK DECOY**

(57) **CLAIM**

(75) Inventor: **Damian Kuzmin**, Fairview, PA (US)

The ornamental design for a support rib for a windsock decoy, substantially as shown and described.

(73) Assignee: **Deadly Decoys Inc.**, Decorah, IA (US)

(\*\*) Term: **14 Years**

**DESCRIPTION**

(21) Appl. No.: **29/256,251**

FIG. 1 is view of the right side of the support rib of the present invention with the decoy shown in phantom;

(22) Filed: **Mar. 15, 2006**

FIG. 2 is a right perspective view of the support rib of the present invention;

(51) **LOC (8) Cl.** ..... **10-04**

FIG. 3 is a view of the right side of the support rib of the present invention;

(52) **U.S. Cl.** ..... **D10/59; D10/60**

FIG. 4 is a view of the left side of the support rib of the present invention;

(58) **Field of Classification Search** ..... D10/59,  
D10/60; 73/170.01-170.11; 446/476-477

See application file for complete search history.

FIG. 5 is a top view of the support rib of the present invention;

(56) **References Cited**

FIG. 6 is a bottom view of the support rib of the present invention;

**U.S. PATENT DOCUMENTS**

5,127,358 A \* 7/1992 Galloway et al. .... 73/170.05

FIG. 7 is a front view of the support rib of the present invention; and,

D391,875 S \* 3/1998 Frontz, II ..... D10/59

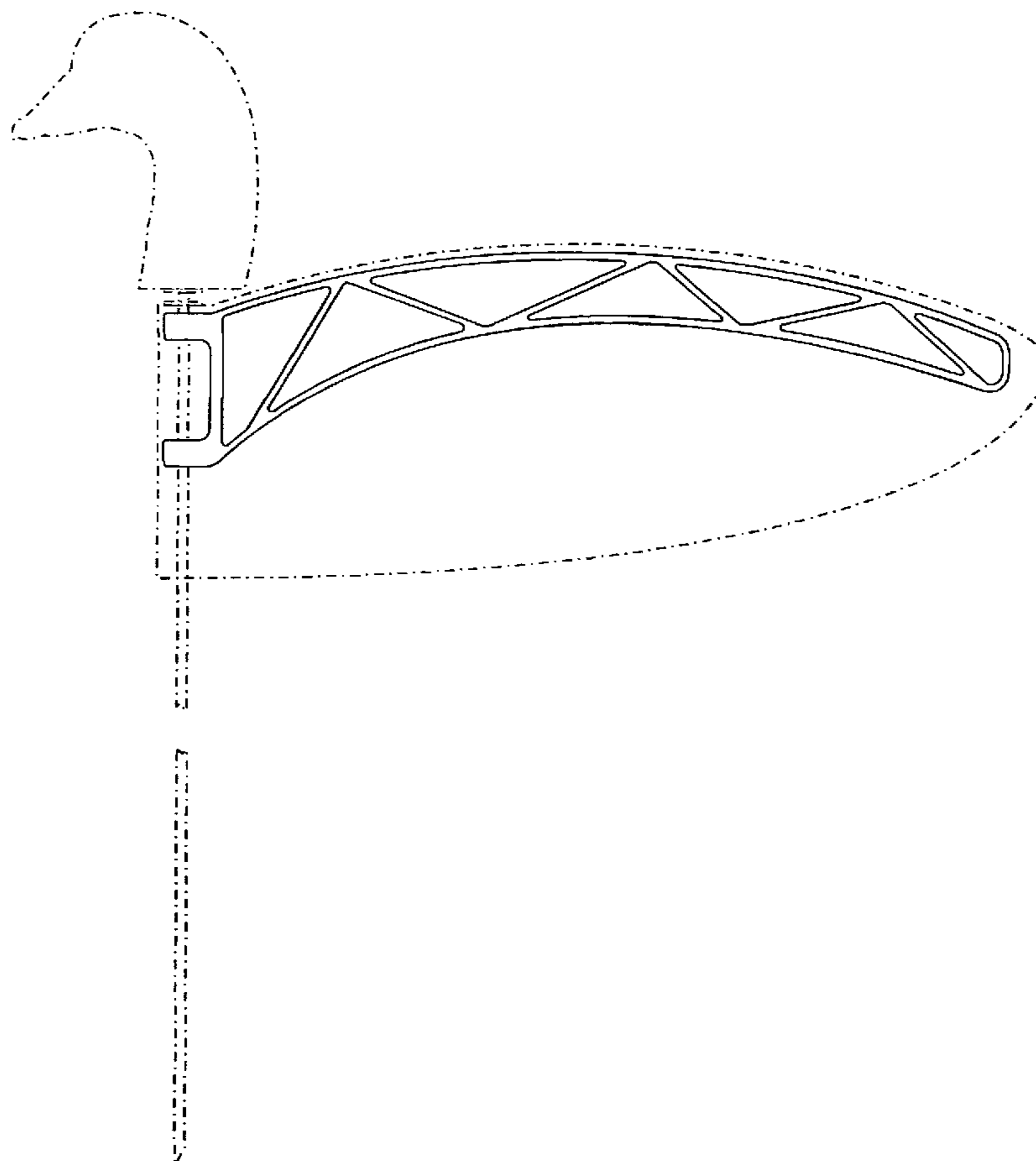
FIG. 8 is a rear view of the support rib of the present invention.

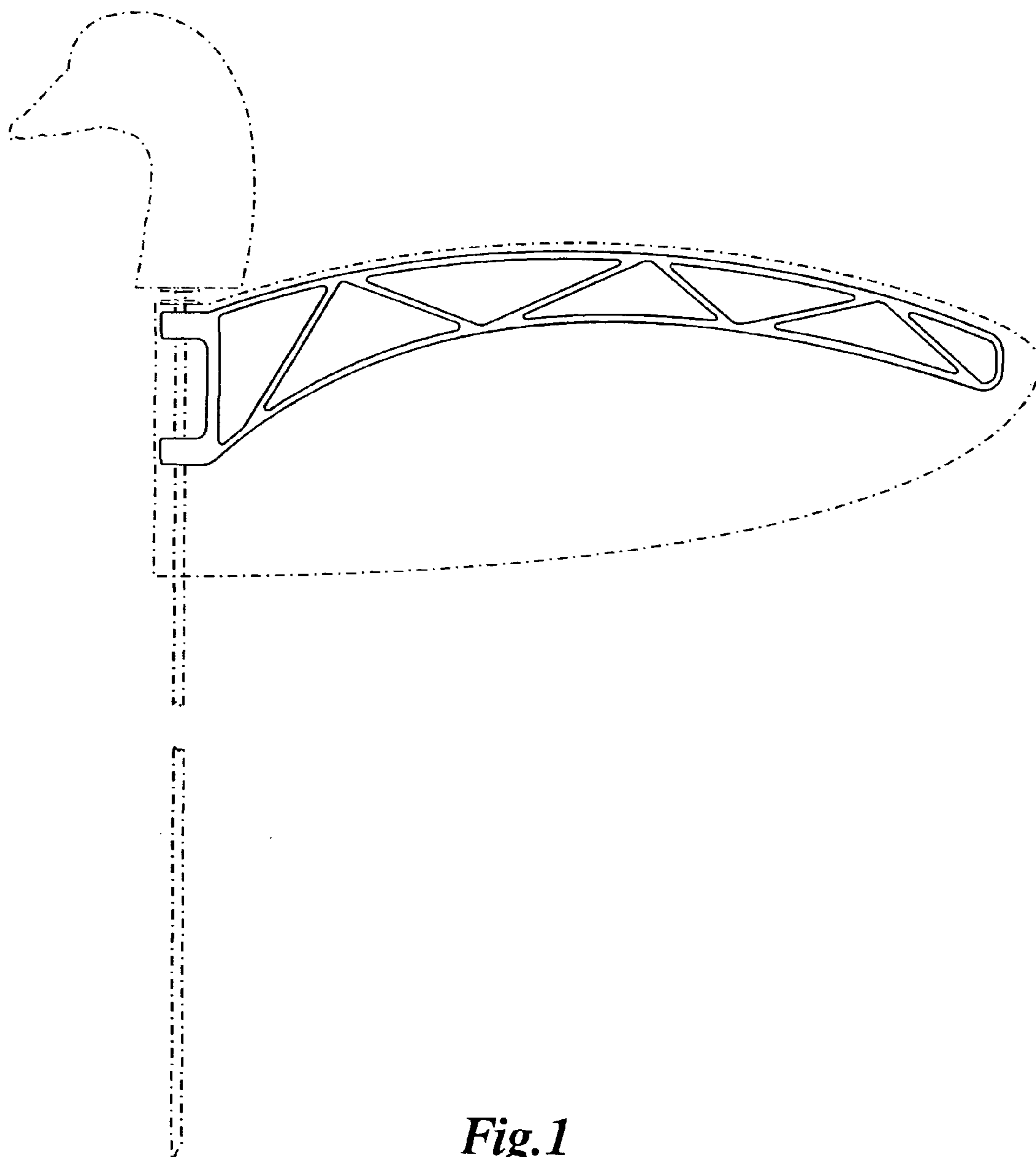
\* cited by examiner

*Primary Examiner*—Antoine D. Davis

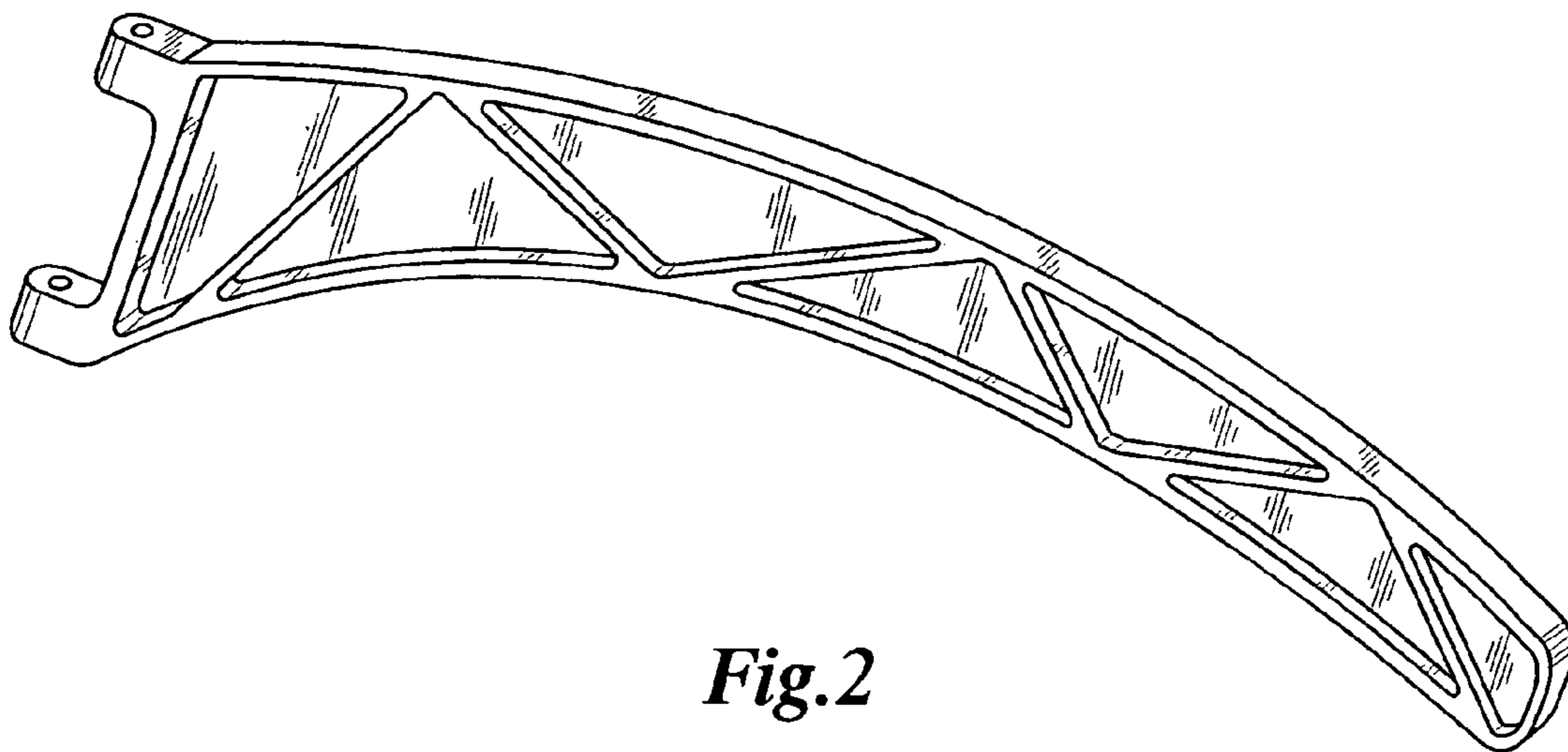
(74) *Attorney, Agent, or Firm*—Richard K Thomson

**1 Claim, 4 Drawing Sheets**





*Fig. 1*



*Fig. 2*



*Fig.3*



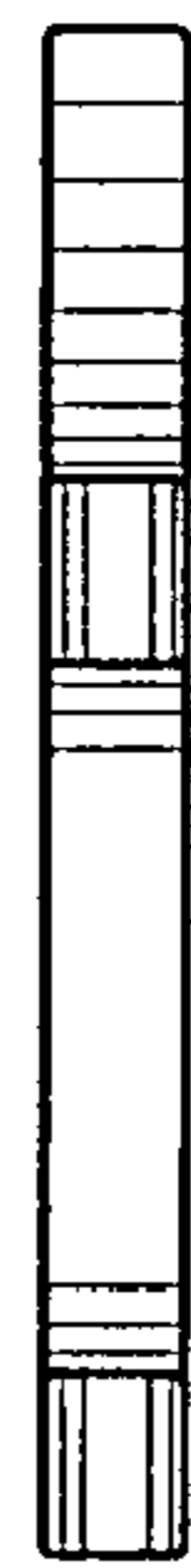
*Fig.4*



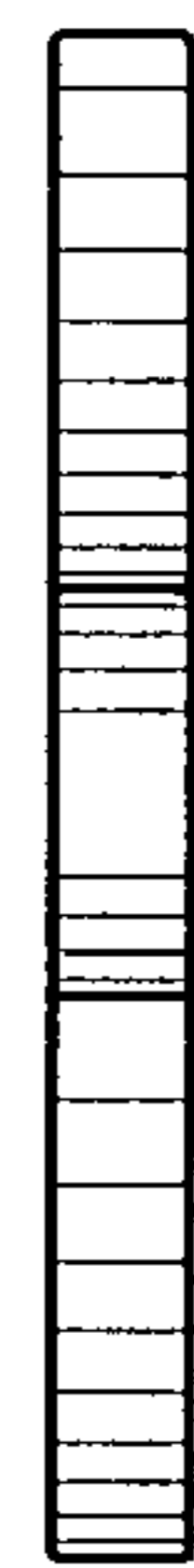
*Fig. 5*



*Fig. 6*



*Fig. 7*



*Fig. 8*