



US00D553024S

(12) **United States Design Patent**
Reed

(10) **Patent No.:** **US D553,024 S**

(45) **Date of Patent:** **** Oct. 16, 2007**

(54) **PROFESSIONAL THERMOMETER WITH MOUNTING**

Primary Examiner—Antoine D. Davis
(74) *Attorney, Agent, or Firm*—Millen, White, Zelano & Branigan, P.C.

(76) **Inventor:** **Gary Reed**, 487 Lyman Blvd.,
Newmarket, L3X 1V9 (CA)

(57) **CLAIM**

(**) **Term:** **14 Years**

The ornamental design for a professional thermometer with mounting, as shown and described.

(21) **Appl. No.:** **29/259,953**

(22) **Filed:** **May 18, 2006**

DESCRIPTION

(51) **LOC (8) Cl.** **10-04**

FIG. 1 is a perspective view of the thermometer;

(52) **U.S. Cl.** **D10/58**

FIG. 2 is a front view;

(58) **Field of Classification Search** D10/58;
374/190–194, 201–203, 208, 141; 446/295,
446/296

FIG. 3 is a top view;

FIG. 4 is a rear view;

See application file for complete search history.

FIG. 5 is a bottom view;

FIG. 6 is a left side view; and,

FIG. 7 is a right side view.

(56) **References Cited**

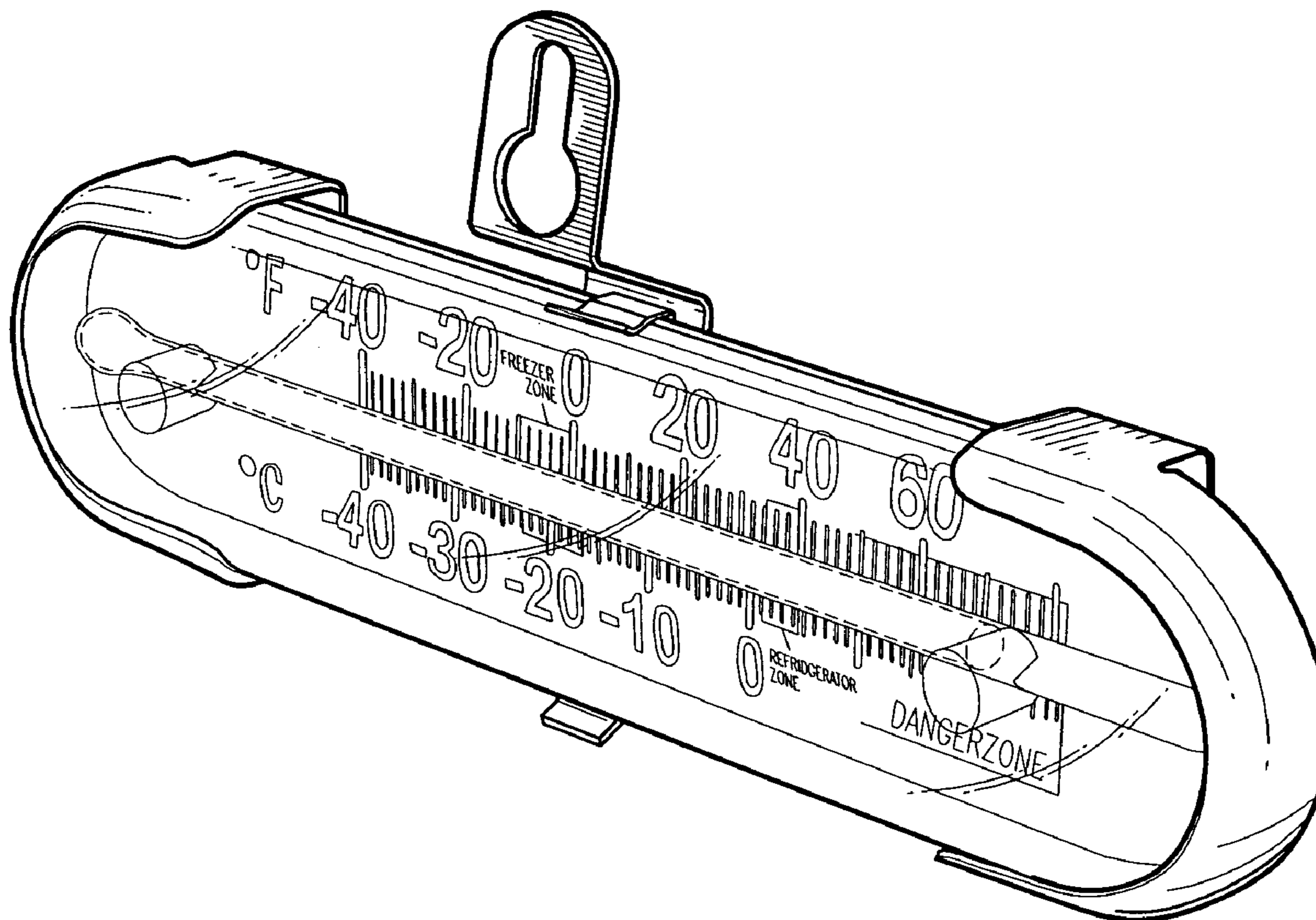
U.S. PATENT DOCUMENTS

D229,343 S *	11/1973	Shanklin	D10/58
4,973,170 A *	11/1990	Bescherer et al.	374/208
D402,573 S *	12/1998	Chen	D10/58

The broken line showing is included for the purpose of illustrating non-claimed subject matter and forms no part of the claimed design.

* cited by examiner

1 Claim, 4 Drawing Sheets



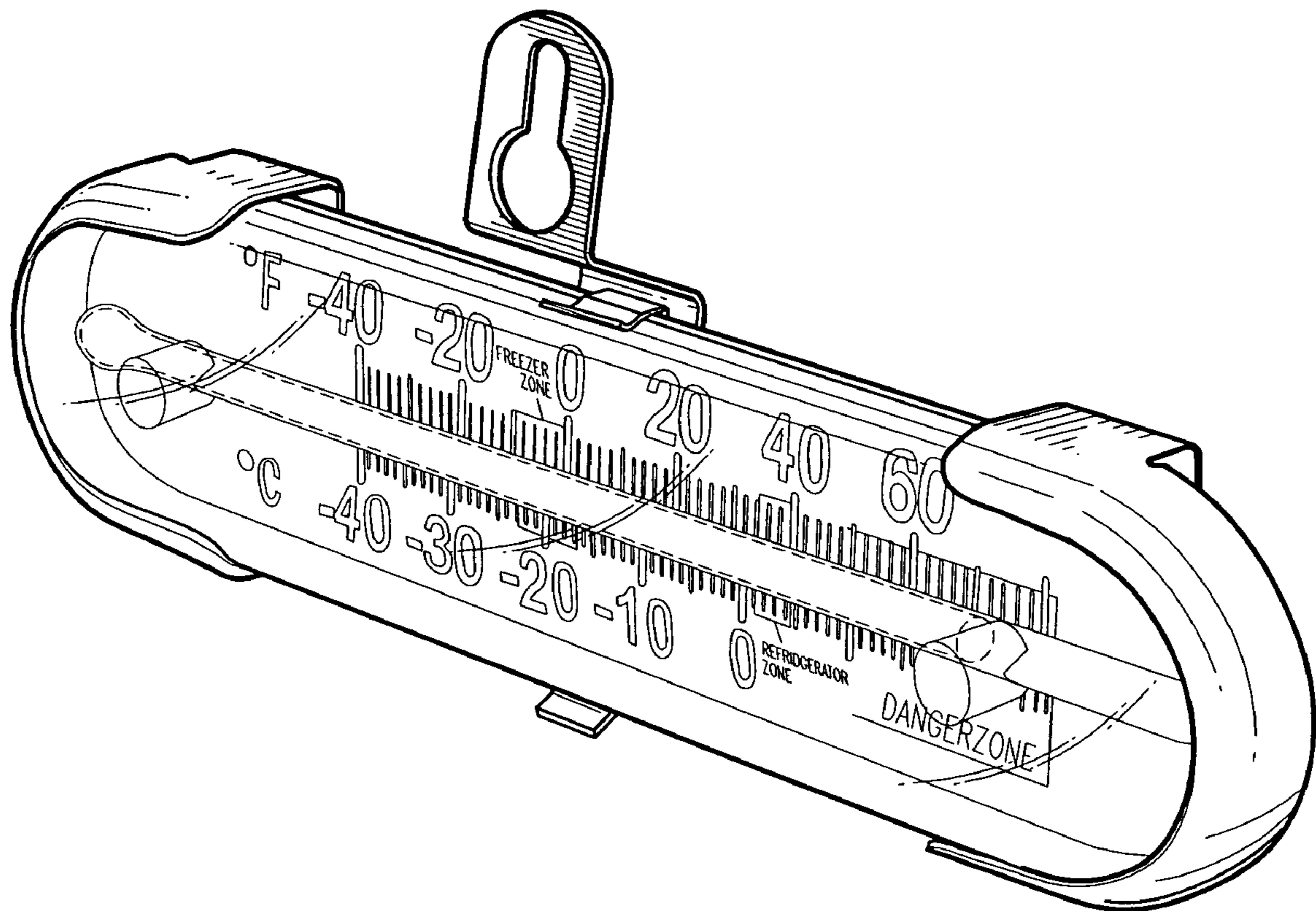


FIG. 1

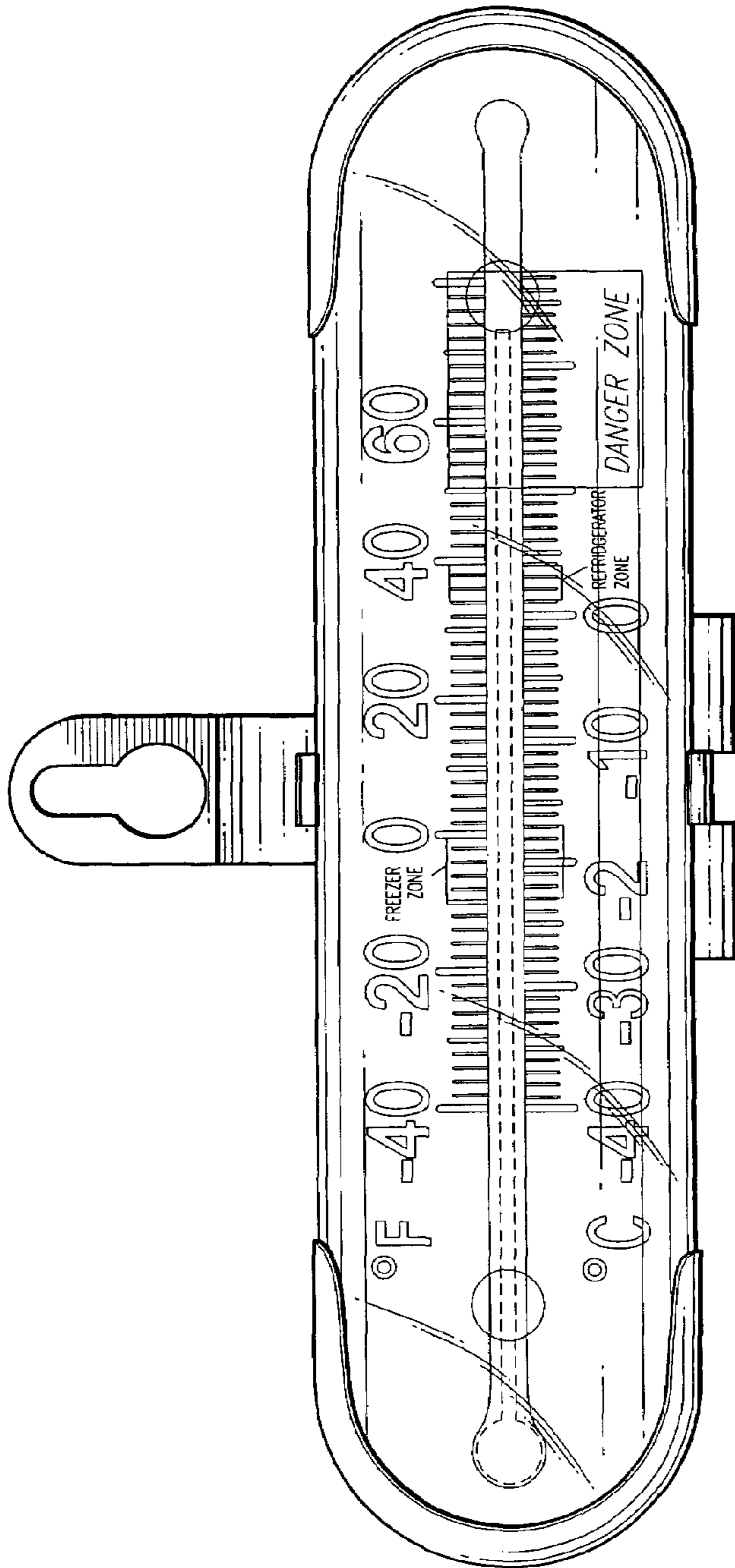


FIG. 2

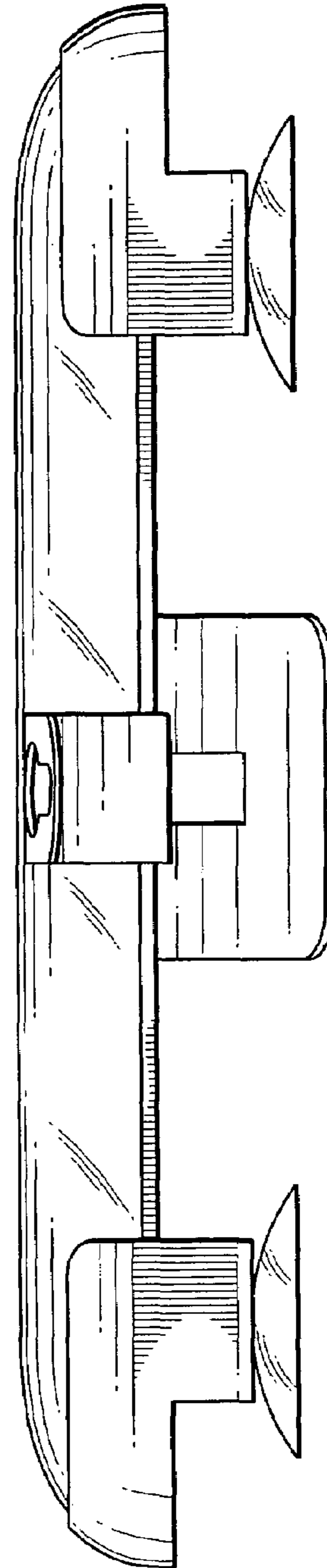


FIG. 3

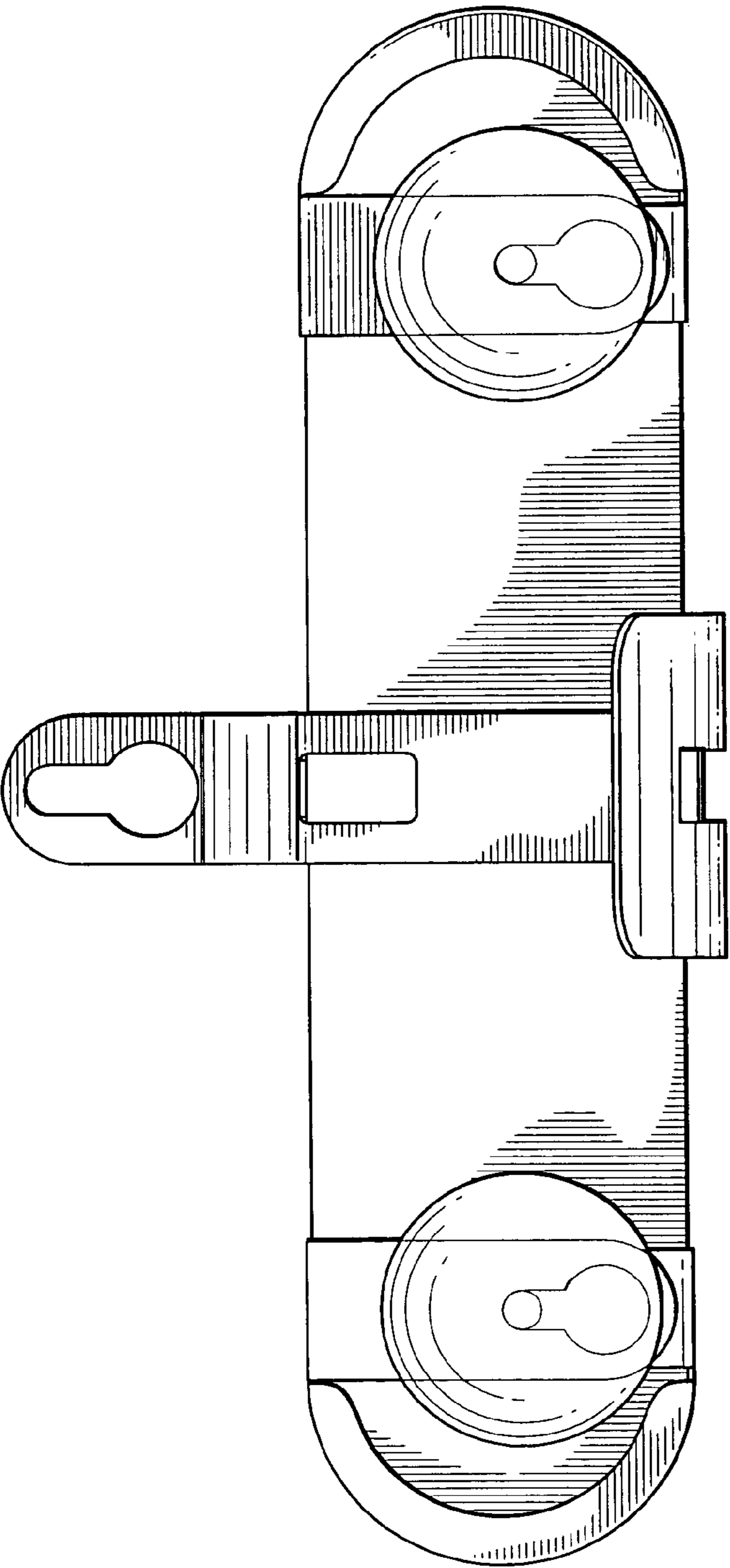


FIG. 4

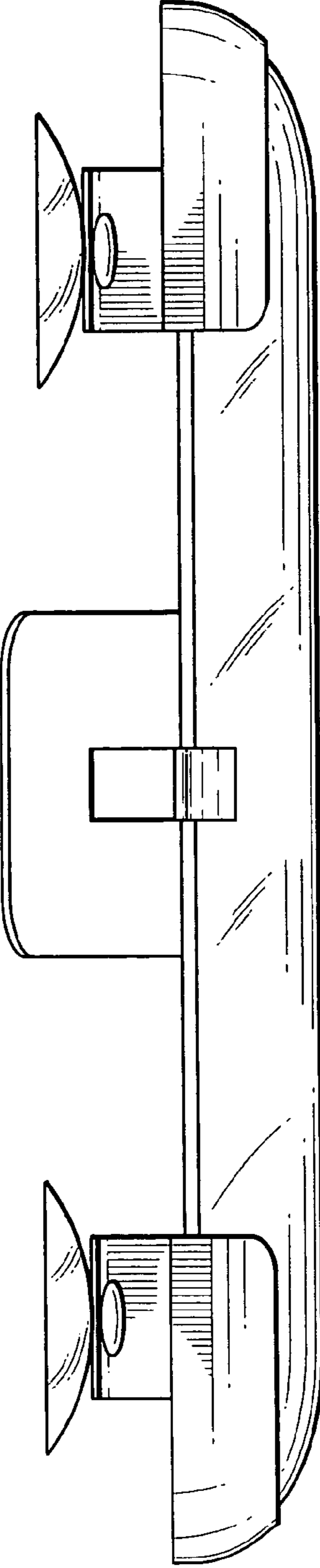


FIG. 5

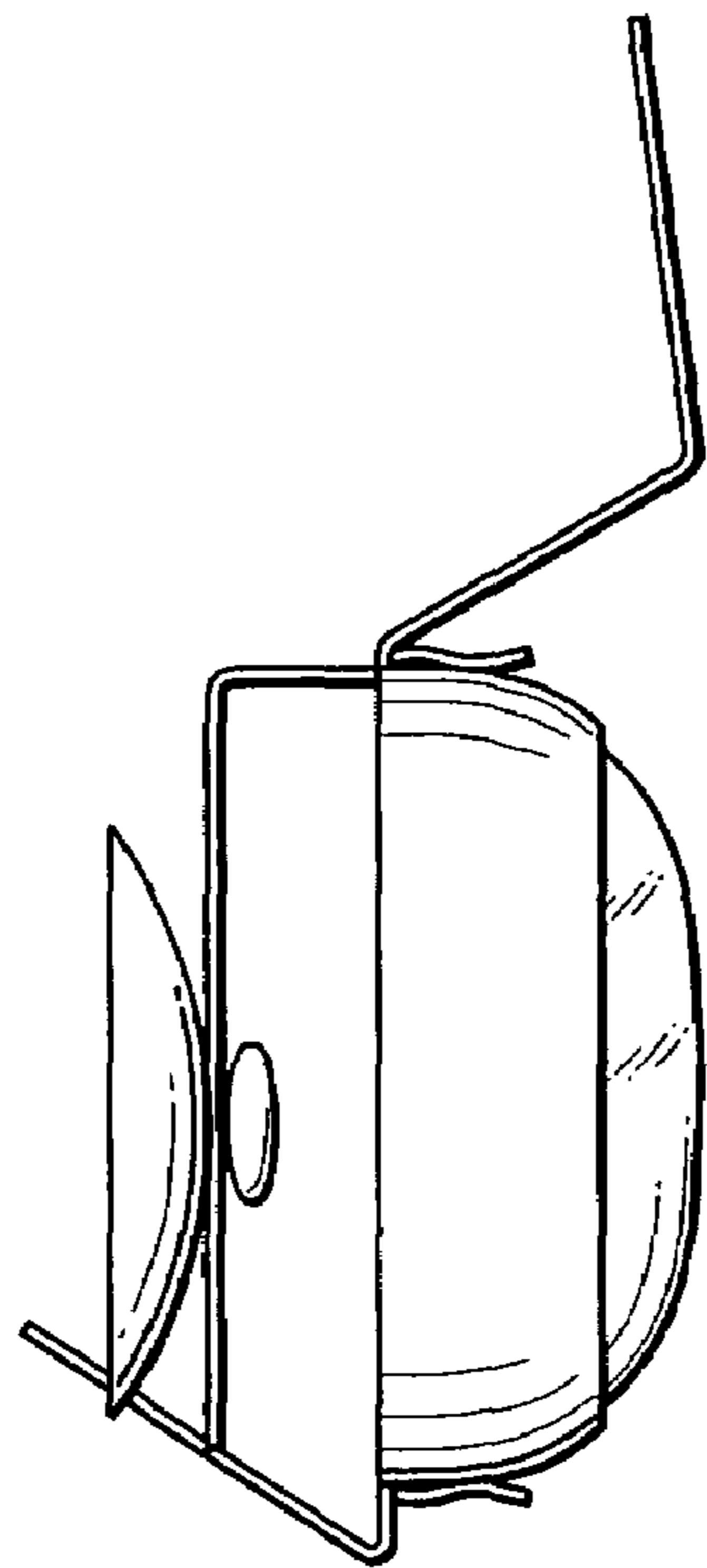


FIG. 6

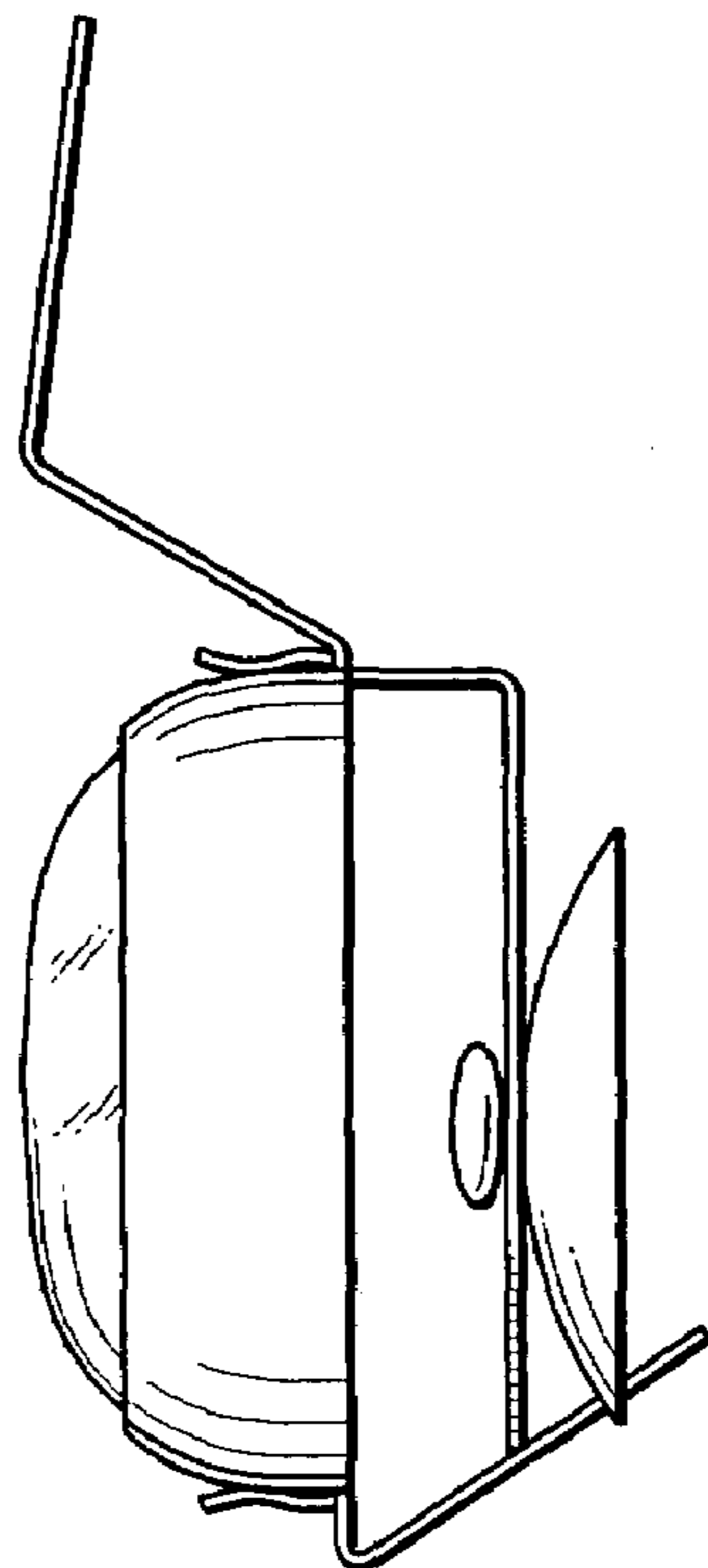


FIG. 7