



US00D553020S

(12) **United States Design Patent**
Sirmakes

(10) **Patent No.:** **US D553,020 S**

(45) **Date of Patent:** **** Oct. 16, 2007**

(54) **WRISTWATCH**

D519,853 S * 5/2006 Sirmakes D10/32
D526,218 S * 8/2006 Krieger D10/39

(75) Inventor: **Vartan Sirmakes**, Genthod (CH)

FOREIGN PATENT DOCUMENTS

(73) Assignee: **Franck Muller Watchland SA**,
Genthod (CH)

CH 692526 A5 * 7/2002
WO DM 058718 * 3/2001

(**) Term: **14 Years**

OTHER PUBLICATIONS

(21) Appl. No.: **29/241,139**

Timepieces, Jun. 1989, p. 159, watch bands.*
Swiss Watch and Jewelry Journal, Jan. 1995, p. 9, watch.*

(22) Filed: **Oct. 25, 2005**

* cited by examiner

(30) **Foreign Application Priority Data**

Primary Examiner—Lucy Lieberman

Apr. 25, 2005 (CH) 131 712

(74) *Attorney, Agent, or Firm*—Sughrue Mion, PLLC

(51) **LOC (8) Cl.** **10-02**

(57) **CLAIM**

(52) **U.S. Cl.** **D10/32**

The ornamental design for a wristwatch, as shown.

(58) **Field of Classification Search** D10/30–39,
D10/122–132; 368/276–278, 281–283, 285,
368/228, 232, 223, 28; 224/164; D11/3
See application file for complete search history.

DESCRIPTION

(56) **References Cited**

The patent or application file contains at least one drawing
executed in color. Copies of this patent or patent application
publication with color drawing(s) will be provided by the
Office upon request and payment of the necessary fee.

U.S. PATENT DOCUMENTS

FIG. 1 is a perspective view of the front and right side of a
wristwatch showing my new design;

- 1,905,682 A * 4/1933 Carlson 368/281
- 2,518,163 A * 8/1950 Megar 63/4
- D404,320 S * 1/1999 Chodat D10/39
- D420,293 S * 2/2000 Parmigiani D10/30
- D458,853 S * 6/2002 Finazzi D10/39
- D470,060 S * 2/2003 Grimoldi D10/39
- D490,000 S * 5/2004 Lassigne D10/32
- D491,820 S * 6/2004 Bitetto D10/39
- D494,478 S * 8/2004 Arabov D10/39
- D496,296 S * 9/2004 Nataf D10/126
- D497,813 S * 11/2004 Monti D10/39
- D506,684 S * 6/2005 Junod D10/30

FIG. 2 is a front elevational view thereof;

FIG. 3 is a rear elevational view thereof;

FIG. 4 is a right side elevational view thereof;

FIG. 5 is a left side elevational view thereof;

FIG. 6 is a top plan view thereof; and,

FIG. 7 is a bottom plan view thereof.

1 Claim, 2 Drawing Sheets
(2 of 2 Drawing Sheet(s) Filed in Color)



FIG. 1



FIG. 2

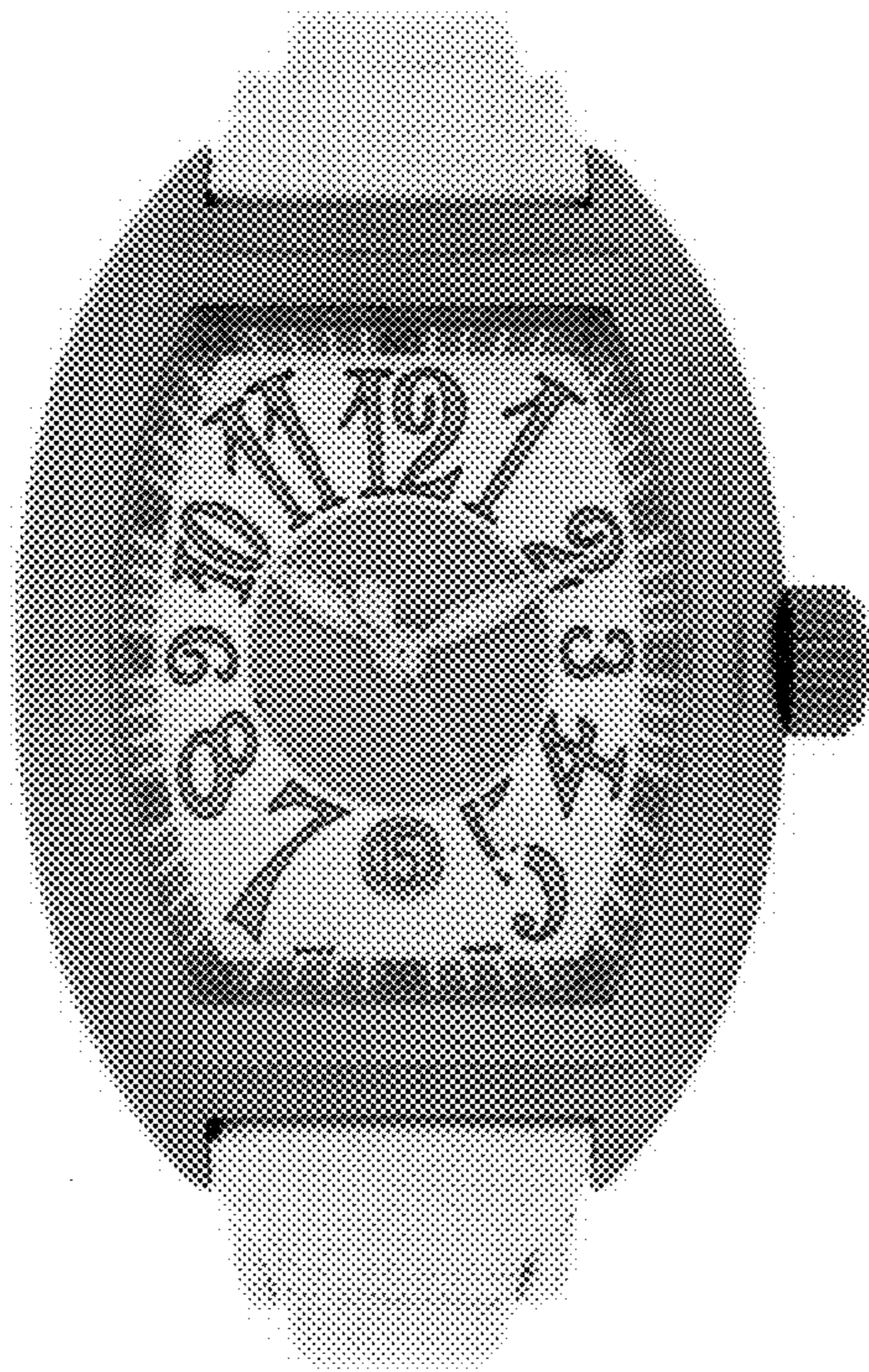


FIG. 3

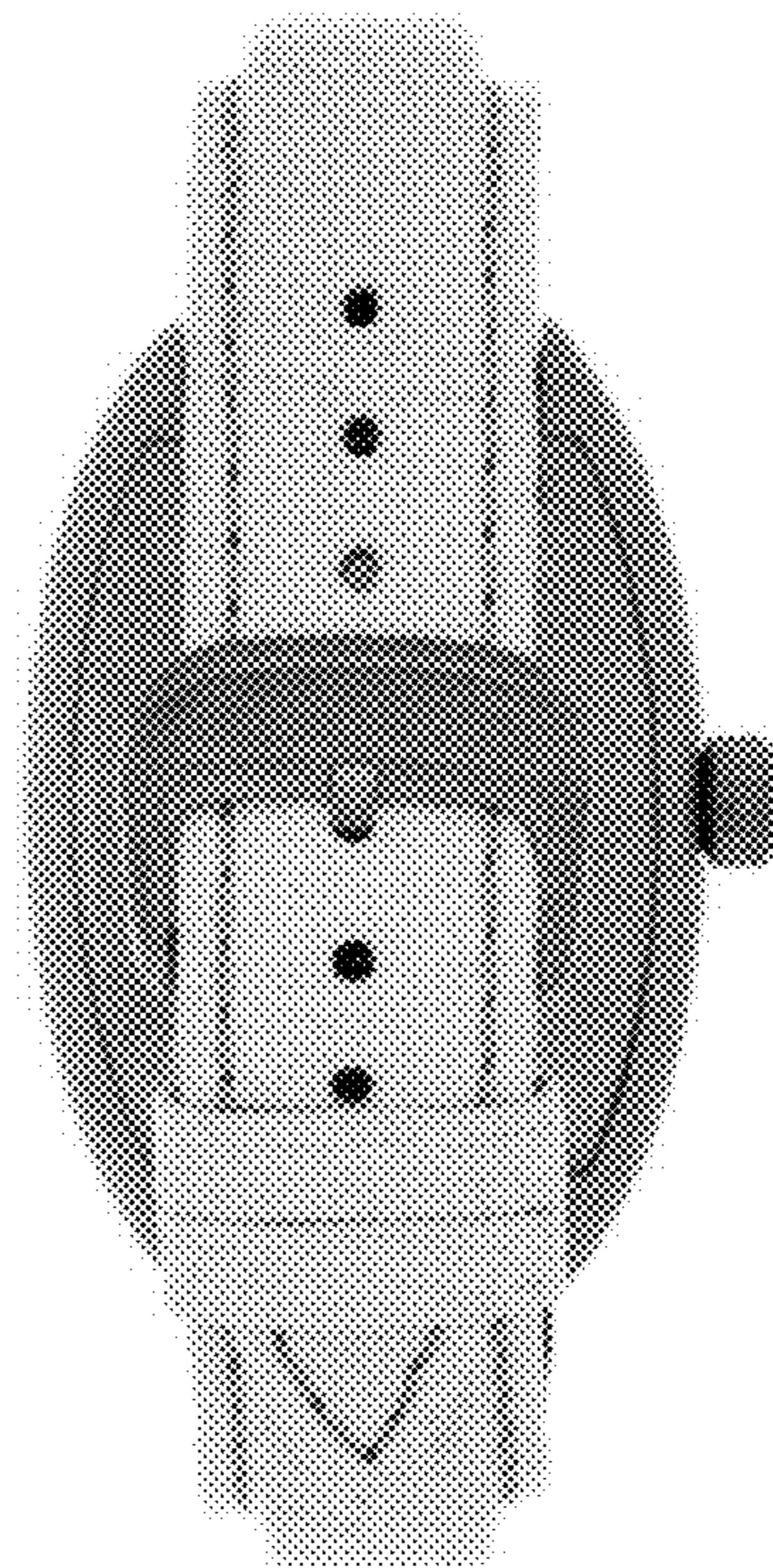


FIG. 4



FIG. 6

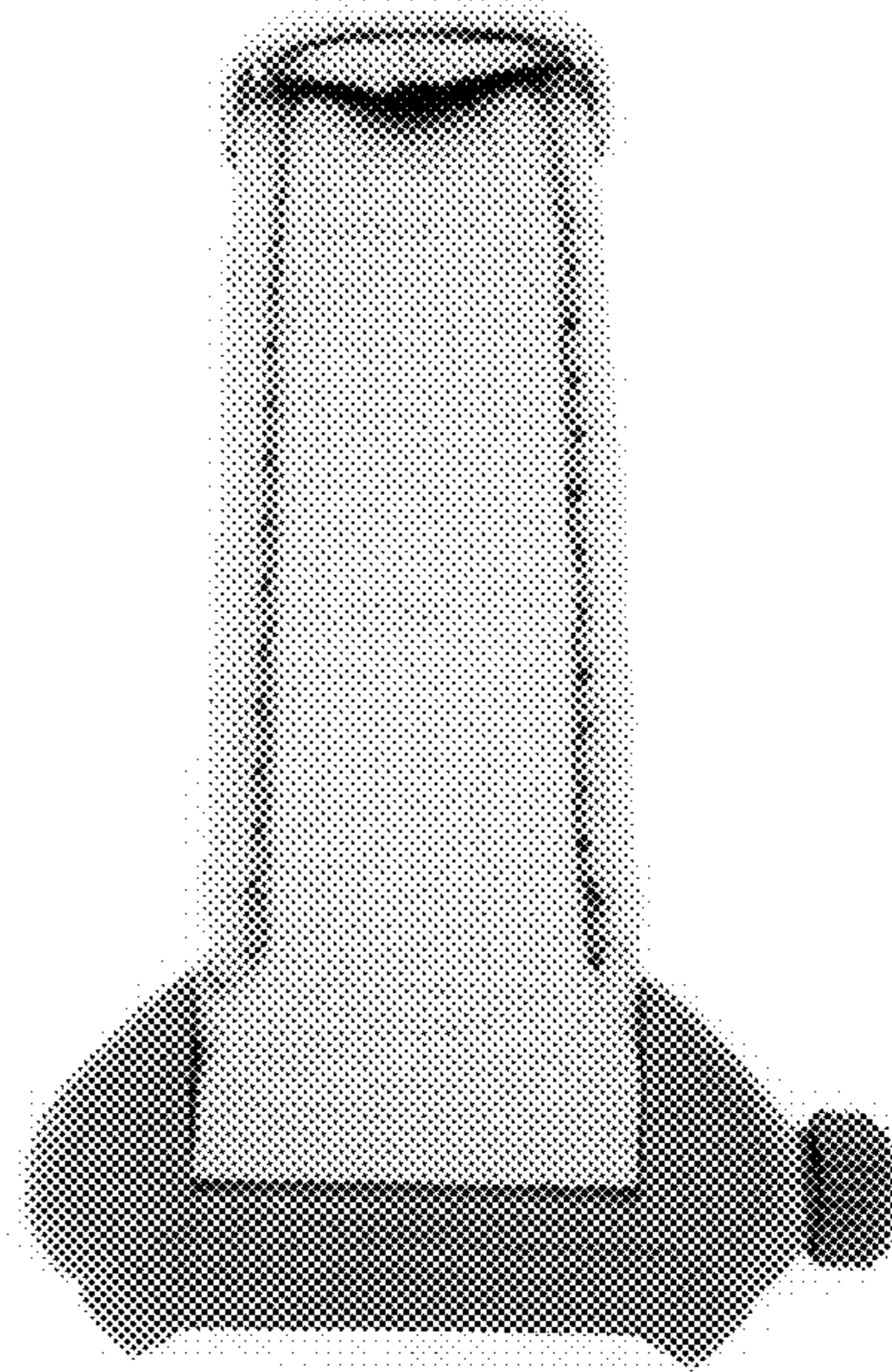


FIG. 5



FIG. 7

