

US00D553017S

(12) **United States Design Patent** (10) **Patent No.:** **US D553,017 S**
Bhavnani (45) **Date of Patent:** **** Oct. 16, 2007**

(54) **STITCHED CLOCK**

Primary Examiner—Lucy Lieberman
(74) *Attorney, Agent, or Firm*—The Soni Law Firm

(75) Inventor: **Dilip Bhavnani**, Beverly Hills, CA
(US)

(57) **CLAIM**

(73) Assignee: **Sun Coast Merchandise Corporation**,
Commerce, CA (US)

The ornamental design for a stitched clock, as shown and described.

(**) Term: **14 Years**

DESCRIPTION

(21) Appl. No.: **29/250,763**

FIG. 1 is a front side top perspective view of my new design with the phantom lines illustrating the round clock portion being environmental structure and forming no part of the claimed design;

(22) Filed: **Nov. 30, 2006**

(51) **LOC (8) Cl.** **10-01**

FIG. 2 is a front elevational view thereof with the phantom lines illustrating the round clock portion being environmental structure and forming no part of the claimed design;

(52) **U.S. Cl.** **D10/24**

(58) **Field of Classification Search** D10/1–29,
D10/122–132; 368/276–278, 223, 232, 228,
368/316, 317, 274, 80, 285, 226, 244–247,
368/250

FIG. 3 is a top plan view thereof with the phantom lines illustrating the round clock knobs being environmental structure and forming no part of the claimed design;

See application file for complete search history.

FIG. 4 is a right side elevational view thereof with the phantom lines illustrating the round clock knobs being environmental structure and forming no part of the claimed design;

(56) **References Cited**

U.S. PATENT DOCUMENTS

D103,837	S	*	3/1937	Teague	D10/26
2,125,294	A	*	8/1938	Lathrop	368/317
D124,963	S	*	2/1941	Bruce	D10/26
2,344,468	A	*	3/1944	May	368/285
D174,080	S	*	2/1955	Hall	D10/26
2,814,927	A	*	12/1957	Steimann	368/317
D192,523	S	*	4/1962	Florian	D10/25
D217,092	S	*	4/1970	Weinstein	D10/25
D224,552	S	*	8/1972	Herbst	D10/21
3,841,082	A	*	10/1974	Cuevas et al.	368/82
D252,319	S	*	7/1979	Kopel	D10/25
D268,990	S	*	5/1983	Henkels	D10/25
5,050,140	A	*	9/1991	Aubert	368/73
D320,353	S	*	10/1991	Ilaria et al.	D10/26
D345,925	S	*	4/1994	Peersmann	D10/26
D459,235	S	*	6/2002	Chan	D10/24
D475,304	S	*	6/2003	Morgan	D10/26
D517,431	S	*	3/2006	Chang	D10/15

FIG. 5 is a left side elevational view thereof with the phantom lines illustrating the round clock knobs being environmental structure and forming no part of the claimed design;

FIG. 6 is a back elevational view thereof with the phantom lines illustrating the round clock knobs, battery cover, and alarm switch being environmental structure and forming no part of the claimed design; and,

OTHER PUBLICATIONS

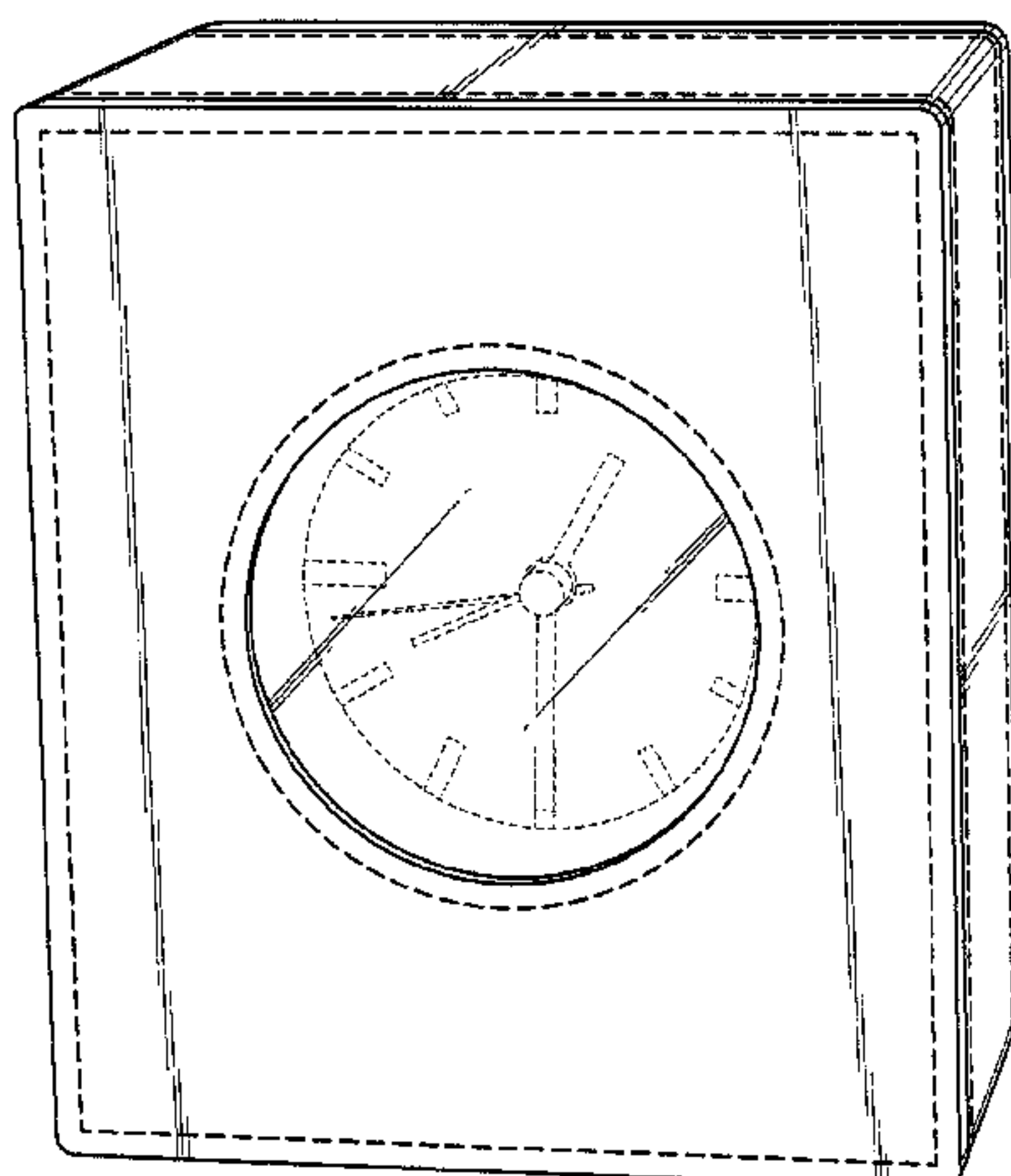
FIG. 7 is a bottom plan view thereof with the phantom lines illustrating the round clock knobs being environmental structure and forming no part of the claimed design.

U.S. Appl. No. 29/250,758, Dilip Bhavnani.

The dashed lines shown around the perimeter of the front and rear of the clock case, the dashed lines shown along the edges of the top, bottom and sides of the clock case, as well as the dashed line shown around the opening for the face of the clock represent stitching that forms part of the claimed design.

* cited by examiner

1 Claim, 3 Drawing Sheets



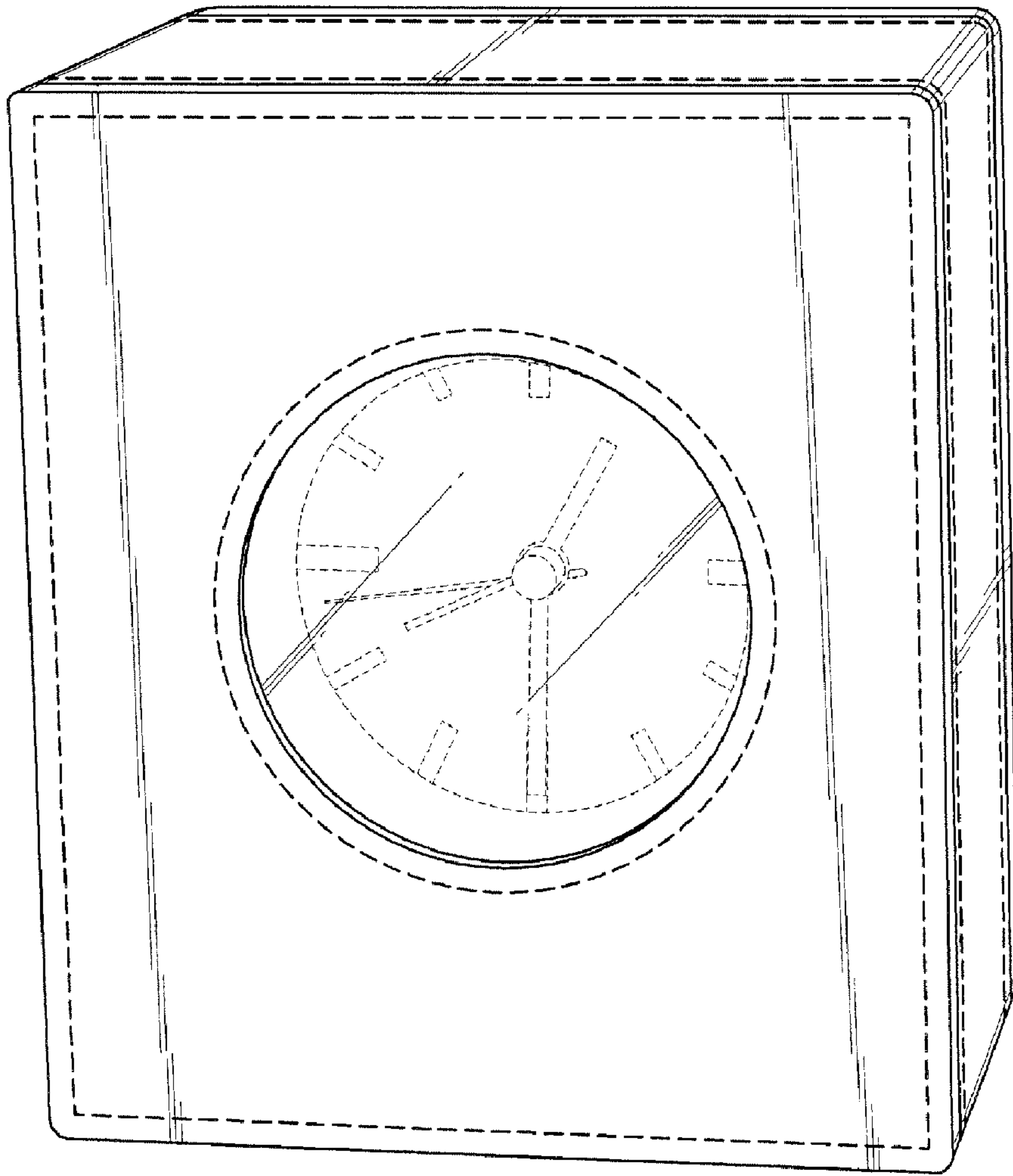


FIG. 1

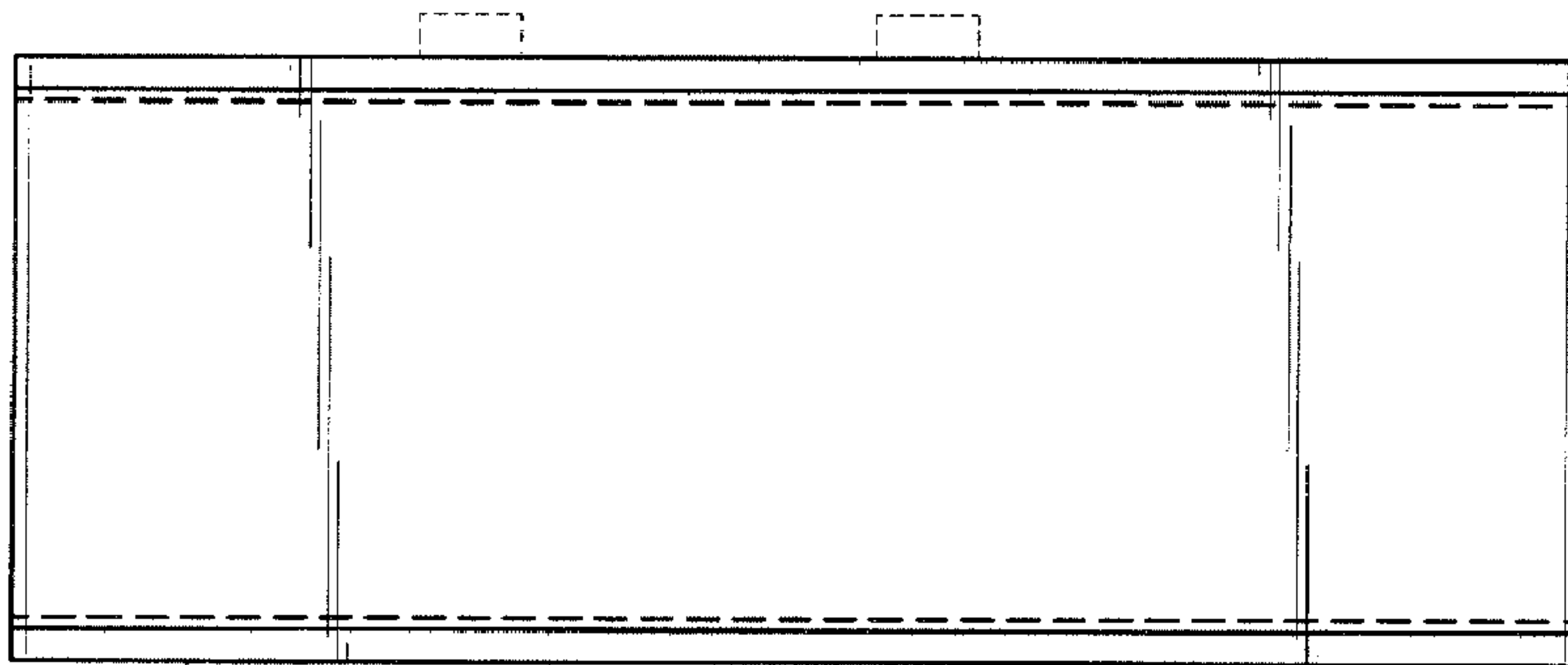


FIG. 3

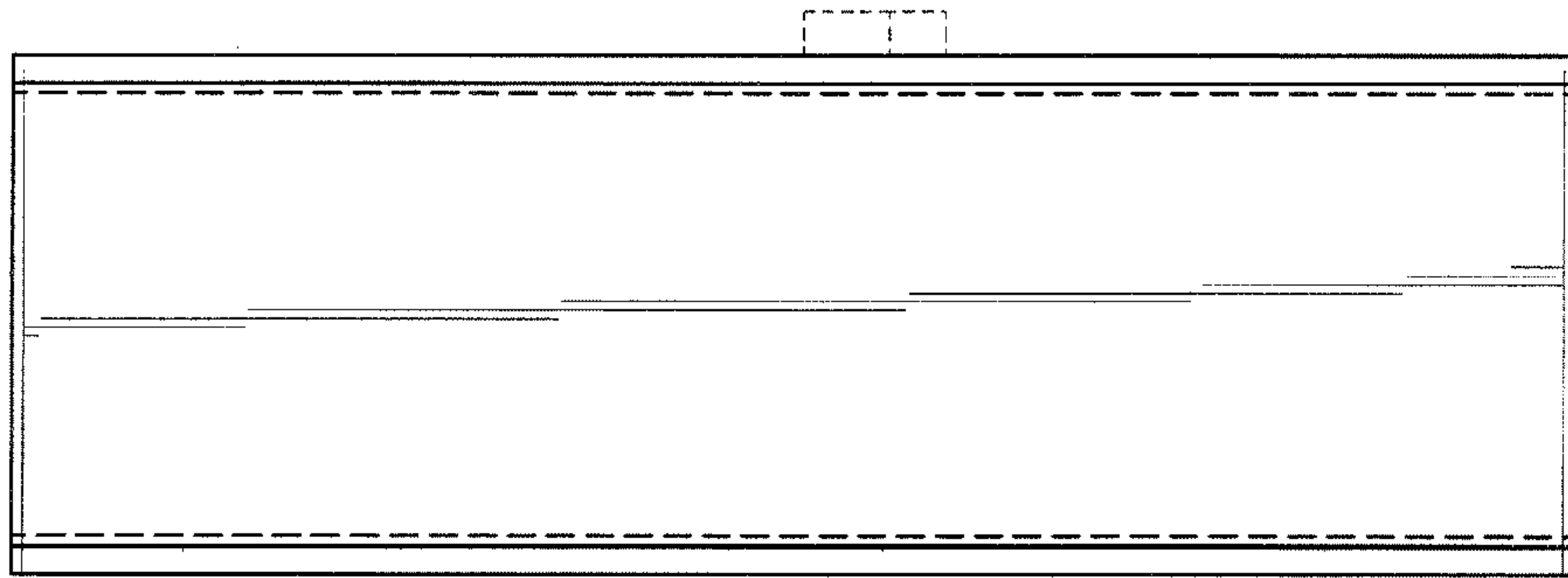


FIG. 4

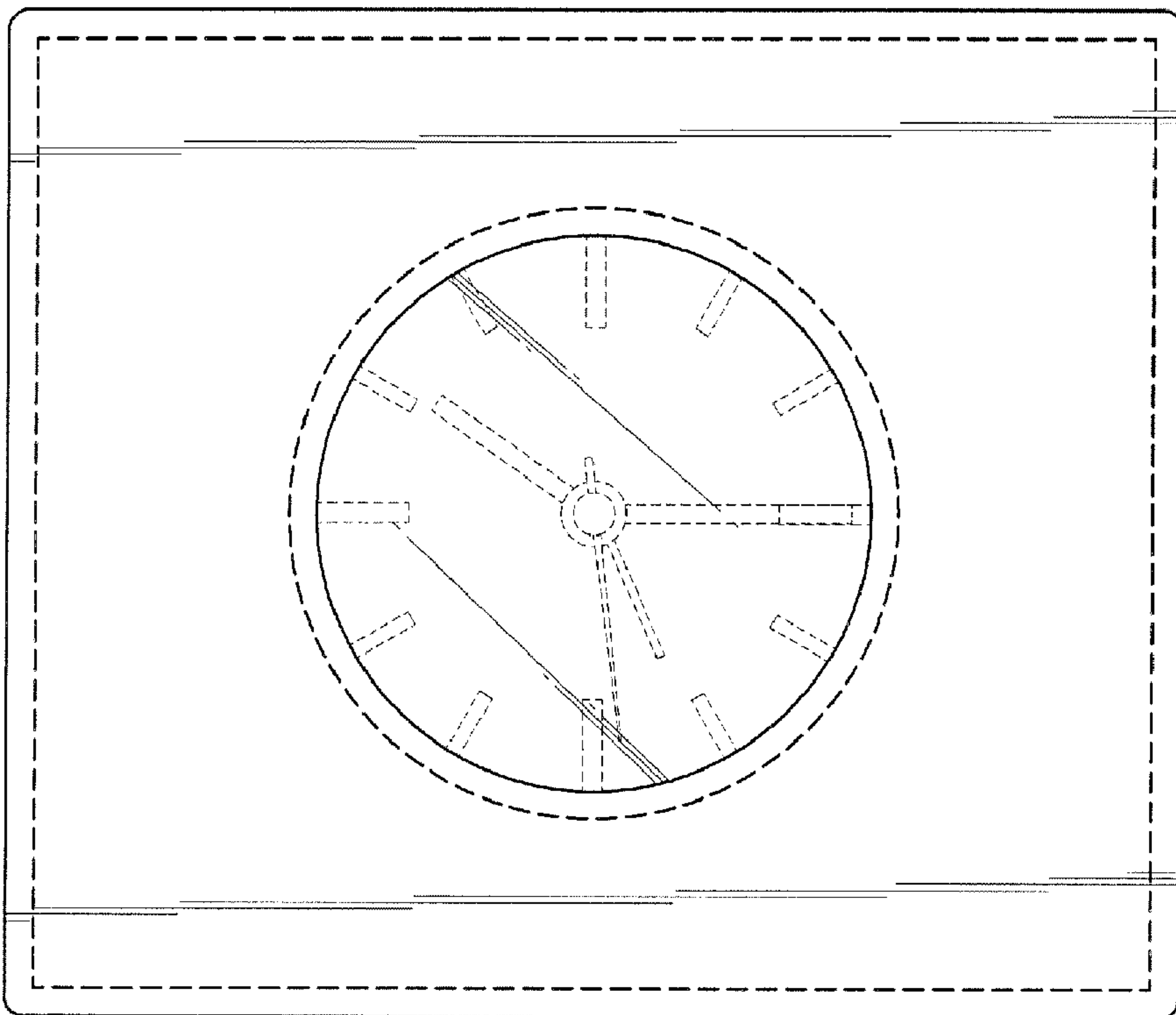


FIG. 5

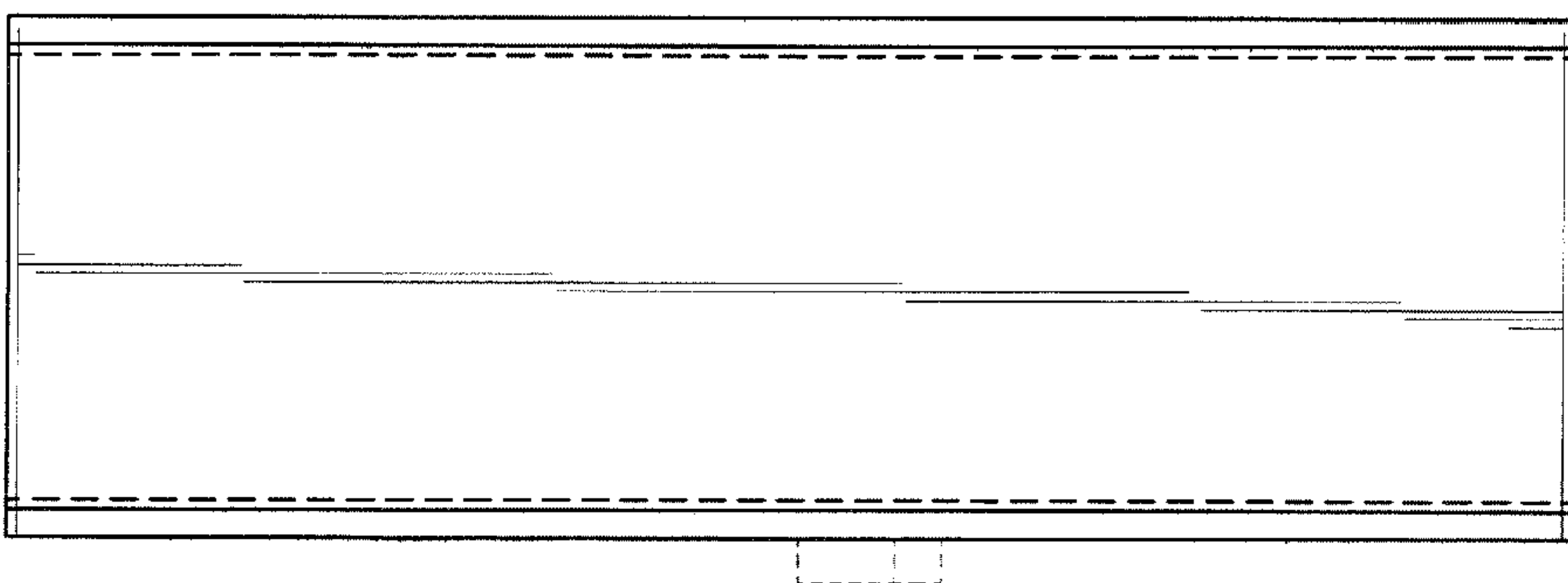


FIG. 6

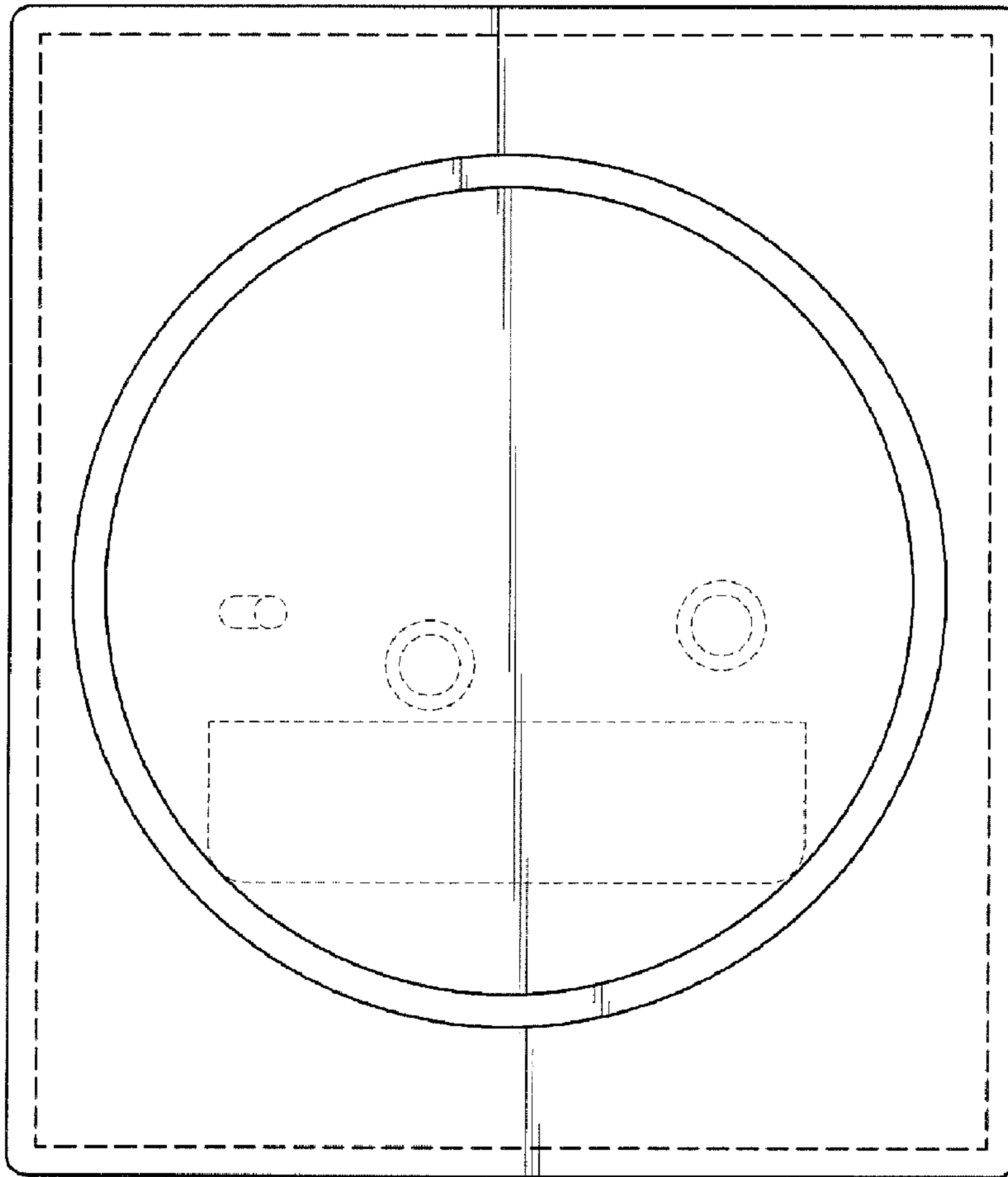


FIG. 6

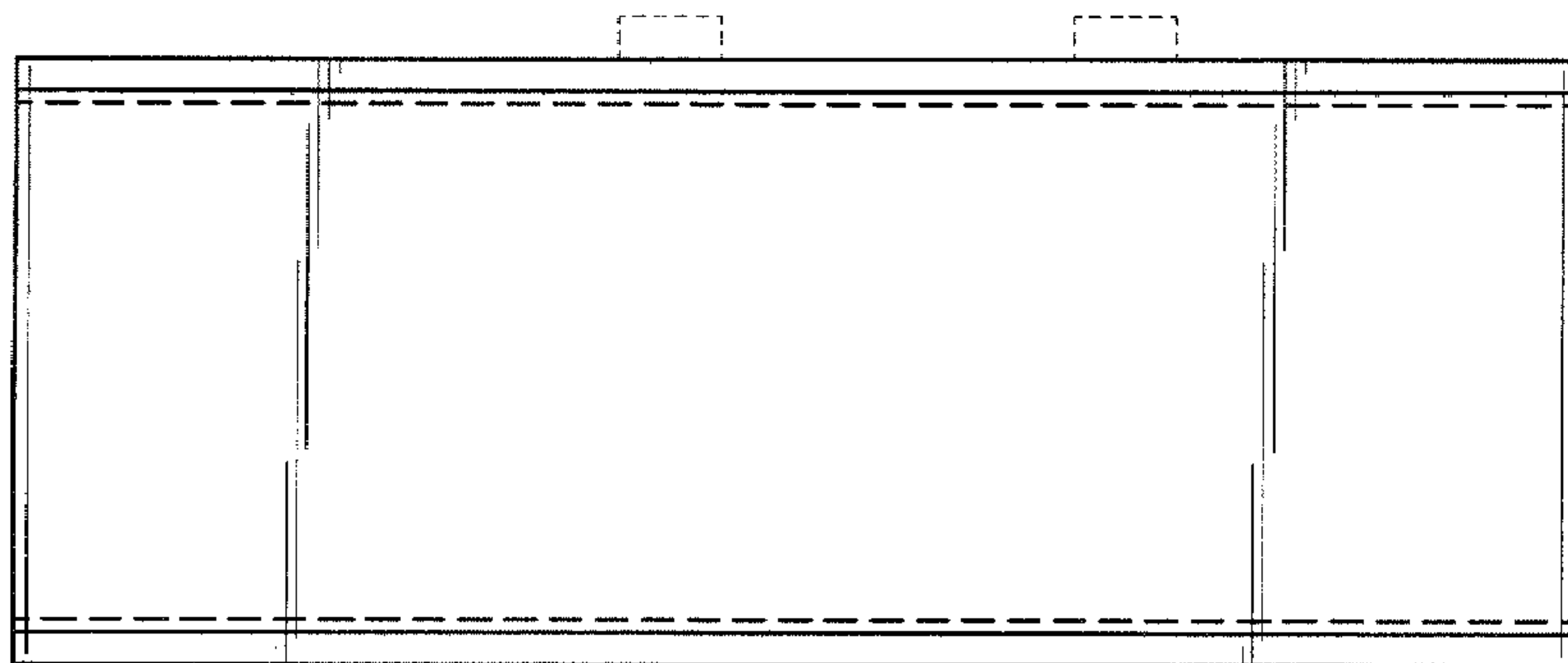


FIG. 7