



US00D553012S

(12) **United States Design Patent**
Changpan

(10) **Patent No.:** **US D553,012 S**

(45) **Date of Patent:** **** Oct. 16, 2007**

(54) **FOOD CONTAINER ASSEMBLY**

D500,674 S * 1/2005 Chou D9/737
D507,968 S * 8/2005 Dixon et al. D9/422
D522,355 S * 6/2006 Castellanos et al. D9/425

(75) Inventor: **Trad Changpan**, Samutsakorn (TH)

(73) Assignee: **Union Frozen Products Co., Ltd.**,
Muan, Samutsakorn (TH)

(**) Term: **14 Years**

* cited by examiner

Primary Examiner—Stella Reid
Assistant Examiner—Mark Goodwin
(74) *Attorney, Agent, or Firm*—Ladas & Parry

(21) Appl. No.: **29/256,248**

(57) **CLAIM**

(22) Filed: **Mar. 16, 2006**

I claim the ornamental design for food container assembly,
as shown and described.

(30) **Foreign Application Priority Data**

Feb. 10, 2006 (TH) 108586

DESCRIPTION

(51) **LOC (8) Cl.** **09-03**

(52) **U.S. Cl.** **D9/761**; D9/737; D9/425

(58) **Field of Classification Search** D9/418,
D9/424, 425, 414, 432, 761, 737, 423, 427,
D9/429, 420, 421, 456; D7/629, 601, 273;
220/674, 675, 62.13, 659, 662, 556, 780,
220/220, 796, DIG. 10, DIG. 12

FIG. 1 is a top, left and rear perspective view of a food container assembly showing my new design, the food container assembly including a compartmentalized main tray and a removable inner container covered by a transparent lid;

FIG. 2 is an enlarged left side elevational view thereof;

FIG. 3 is an enlarged right side elevational view thereof;

FIG. 4 is an enlarged top plan view thereof;

FIG. 5 is an enlarged bottom plan view thereof;

FIG. 6 is an enlarged front elevational view thereof;

FIG. 7 is an enlarged rear elevational view thereof; and,

FIG. 8 is a top perspective view of the food container assembly of FIG. 1 without the lid, and with the removable inner container placed next to the main tray.

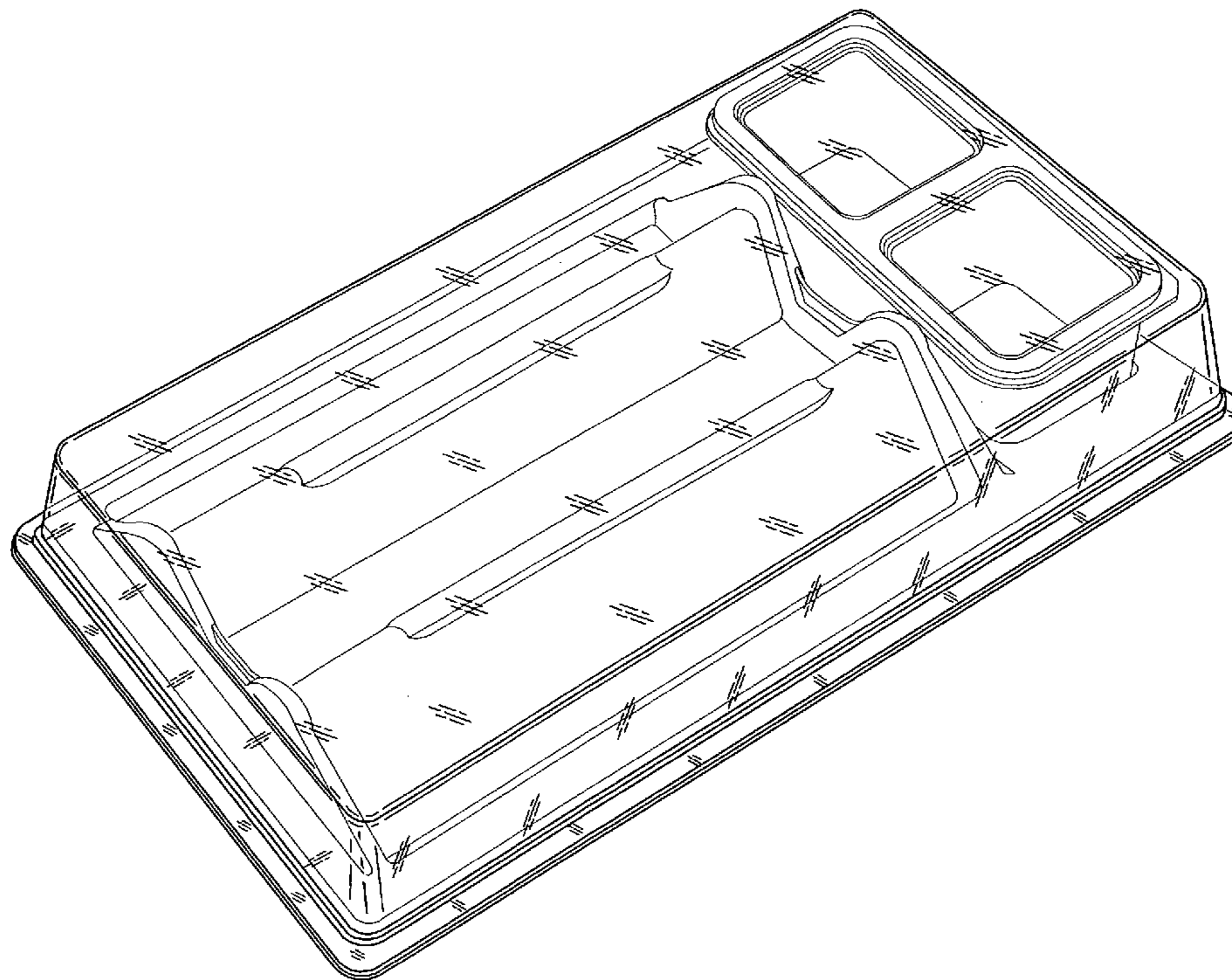
See application file for complete search history.

(56) **References Cited**

U.S. PATENT DOCUMENTS

D276,216 S * 11/1984 Michaud D9/425
D305,409 S * 1/1990 Michaud et al. D9/425
D379,138 S * 5/1997 Carlson D7/629
D407,015 S * 3/1999 Jones D9/426
D415,422 S * 10/1999 McCann D9/429
D466,808 S * 12/2002 Liu et al. D9/425
D468,637 S * 1/2003 Chou D9/425

1 Claim, 6 Drawing Sheets



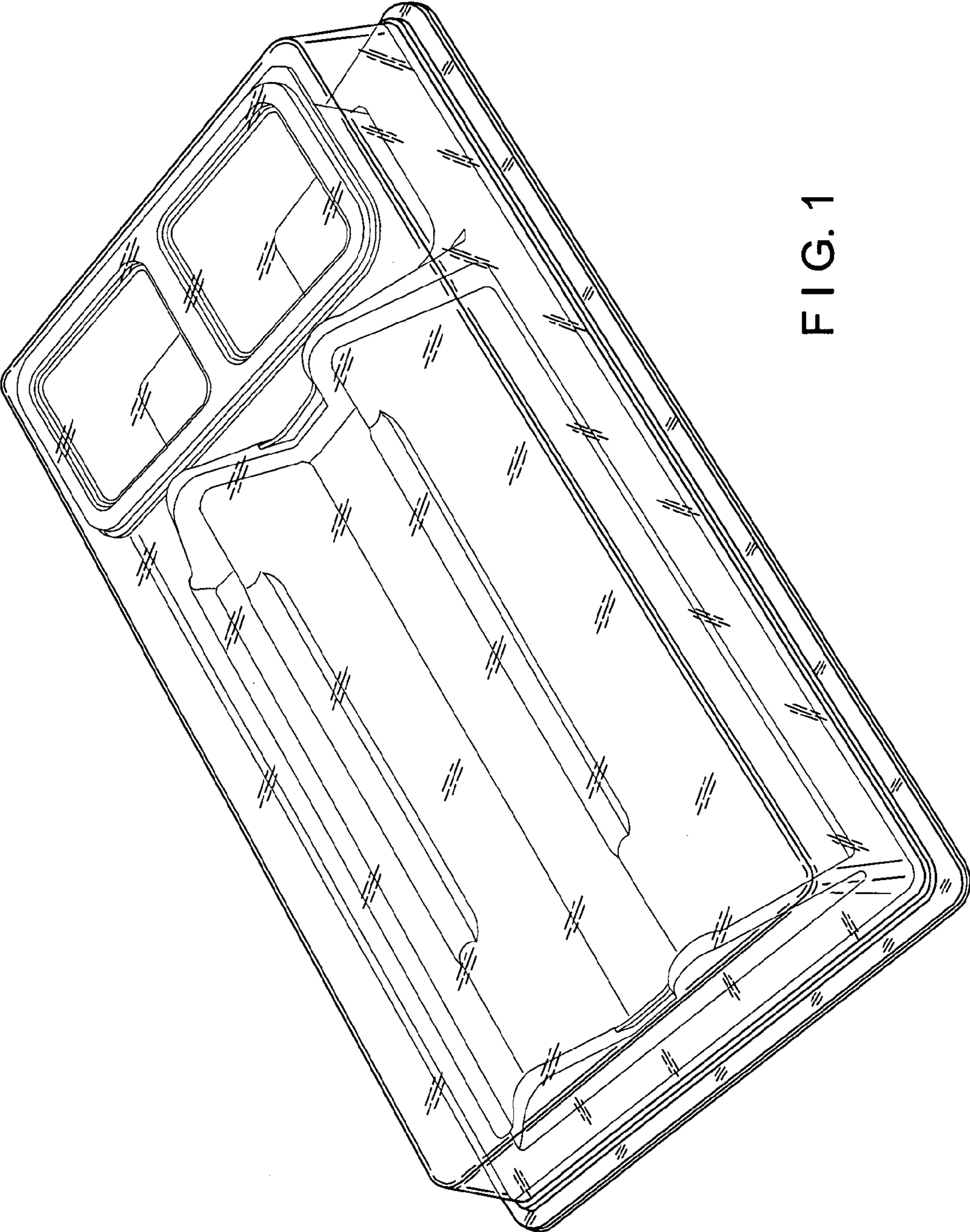


FIG. 1

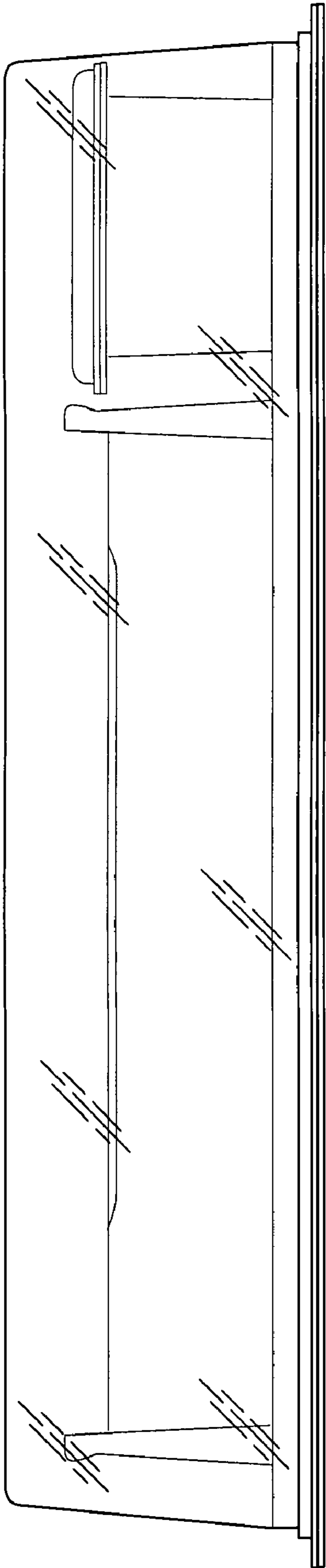


FIG. 2

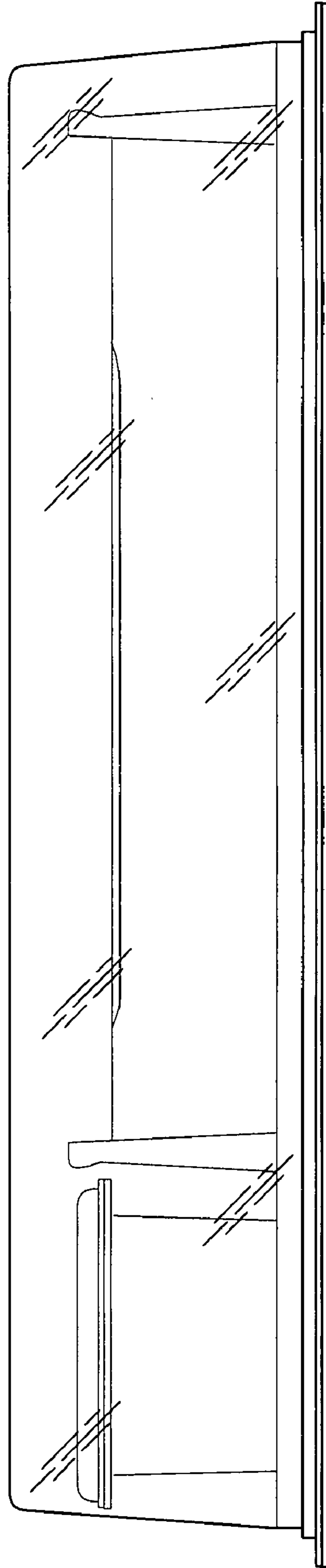


FIG. 3

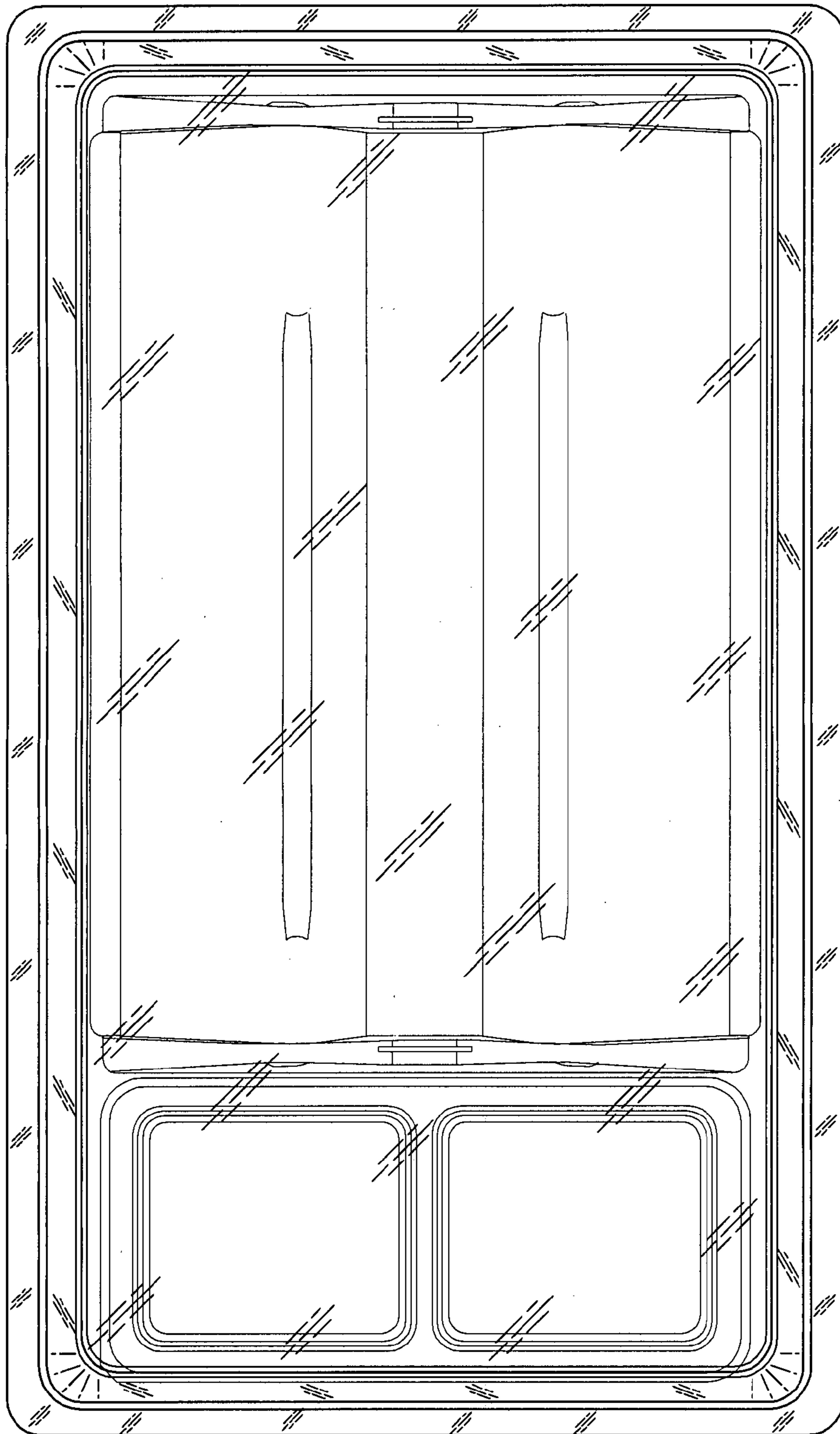


FIG. 4

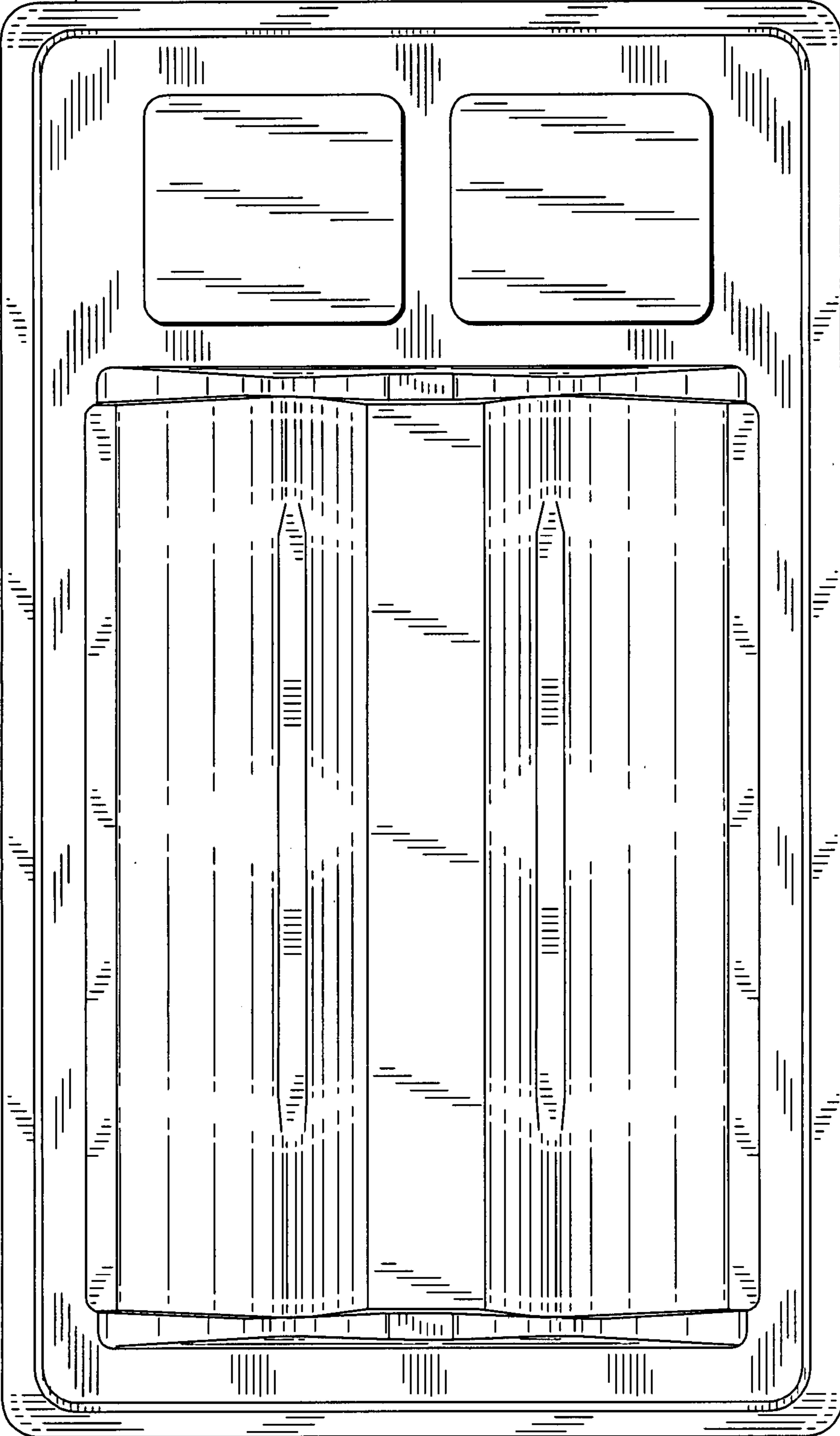


FIG. 5

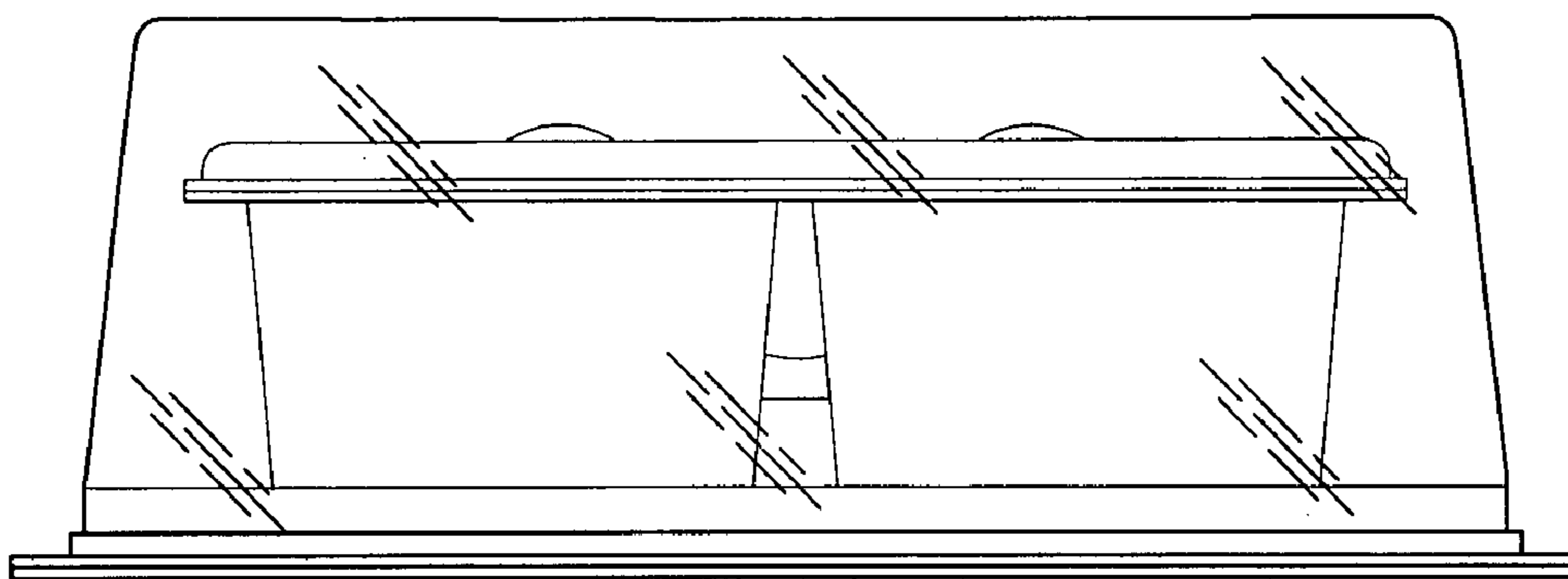


FIG. 6

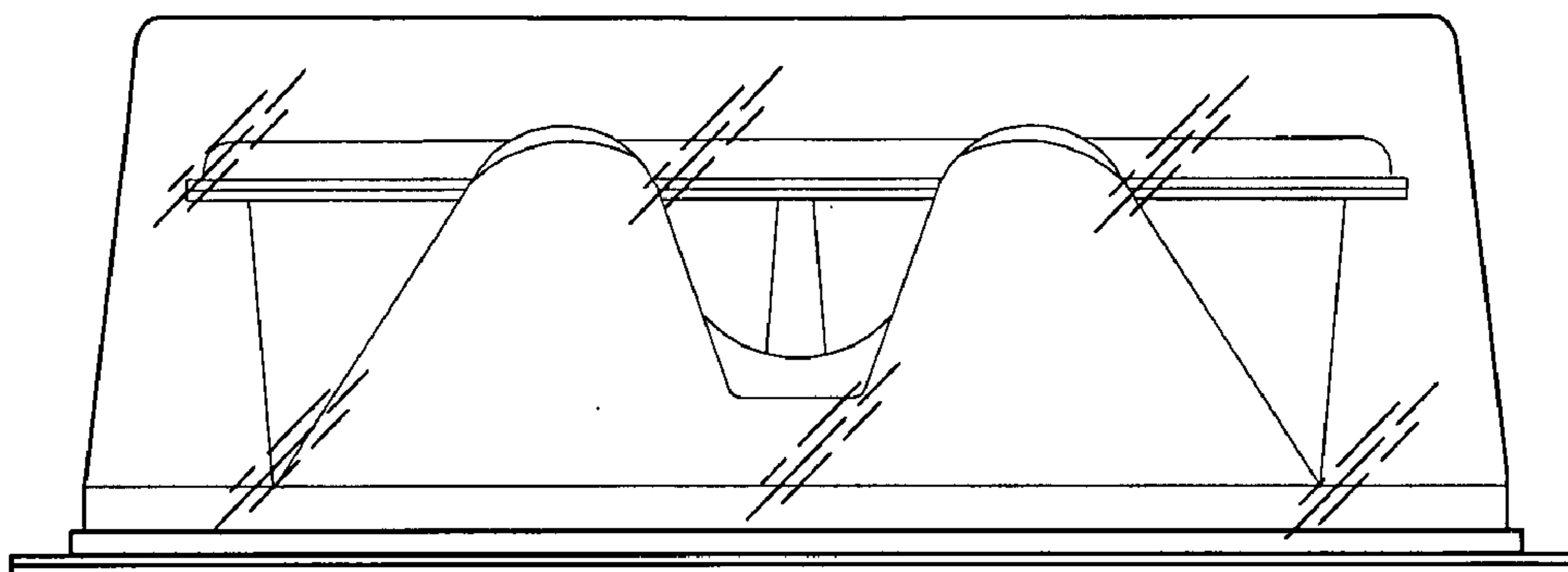


FIG. 7

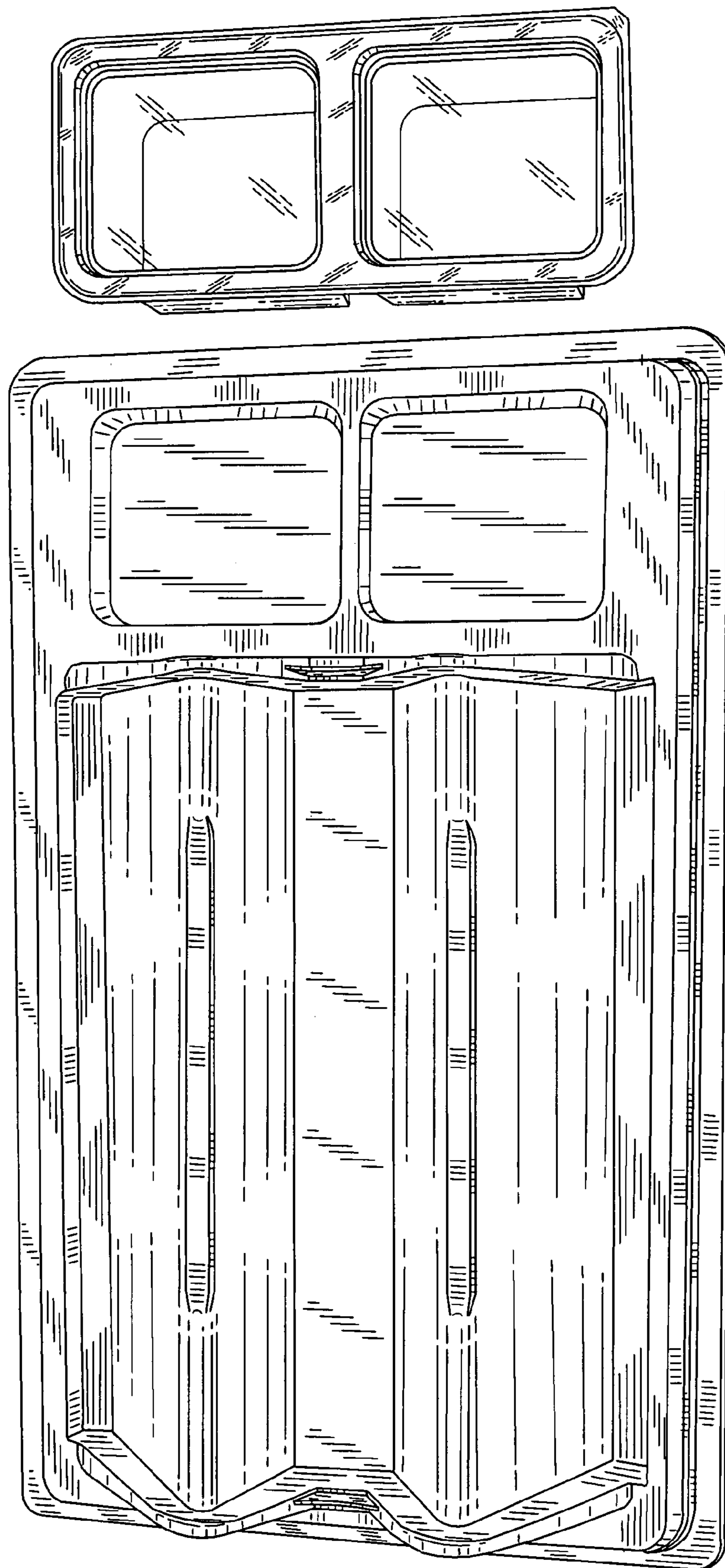


FIG. 8