



US00D553010S

(12) **United States Design Patent**
Cutts et al.

(10) **Patent No.:** **US D553,010 S**

(45) **Date of Patent:** **** Oct. 16, 2007**

(54) **FOOD CONTAINER**

(75) Inventors: **Richard F. Cutts**, Sun Prairie, WI (US); **Bonita M. Hinze**, Sun Prairie, WI (US); **Kai O. Thompson**, Madison, WI (US)

(73) Assignee: **Kraft Foods Holdings, Inc.**, Northfield, IL (US)

(**) Term: **14 Years**

(21) Appl. No.: **29/236,390**

(22) Filed: **Aug. 16, 2005**

(51) **LOC (8) Cl.** **09-01**

(52) **U.S. Cl.** **D9/761**

(58) **Field of Classification Search** D9/761, D9/737, 756, 414, 418, 424, 425, 428, 432; D7/601, 629, 602; 206/216, 541, 203, 508, 206/518, 484, 484.1, 557, 484.2, 459.1, 524.3; 220/556, 241, 242, 781, 780, 350, 376, 664; 229/123.1, 200, 123.2, 4.5, 406, 407, 902, 229/904, 938; 426/106

See application file for complete search history.

(56) **References Cited**

U.S. PATENT DOCUMENTS

3,344,974 A	10/1967	Bostrom	
D232,302 S *	8/1974	Lazura	D9/761
D276,026 S	10/1984	Hexamer	
4,574,174 A *	3/1986	McGonigle	219/735
4,935,252 A	6/1990	Huang et al.	
4,946,038 A	8/1990	Eaton	
5,123,527 A	6/1992	Hustad	
D334,141 S	3/1993	Gottofredi	
D348,394 S	7/1994	Dreyer	
D349,456 S	8/1994	Wilson	
D360,336 S *	7/1995	Bitel, Jr.	D7/392.1
D368,030 S	3/1996	Elbaz	
D372,170 S *	7/1996	Ahern, Jr.	D7/549
D381,264 S	7/1997	Lippincott	

5,747,084 A	5/1998	Cochran et al.	
D416,751 S *	11/1999	Sawyer et al.	D7/359
D417,366 S *	12/1999	Obra	D7/549
D430,023 S	8/2000	Shurtleff et al.	

(Continued)

Primary Examiner—Stella Reid

Assistant Examiner—Mark Goodwin

(74) *Attorney, Agent, or Firm*—Fitch, Even, Tabin & Flannery

(57) **CLAIM**

The ornamental design for a food container, as shown and described.

DESCRIPTION

FIG. 1 is a top perspective view of the food container showing our new design;

FIG. 2 is a top plan view thereof;

FIG. 3 is a bottom plan view thereof;

FIG. 4 is a right side elevational view thereof;

FIG. 5 is a left side elevational view thereof;

FIG. 6 is a front elevational view thereof;

FIG. 7 is a rear elevational view thereof; and

FIG. 8 is an exploded top perspective view thereof;

FIG. 9 is a top perspective view of a second embodiment of the food container showing our new design;

FIG. 10 is a top plan view thereof;

FIG. 11 is a bottom plan view thereof;

FIG. 12 is a right side elevational view thereof;

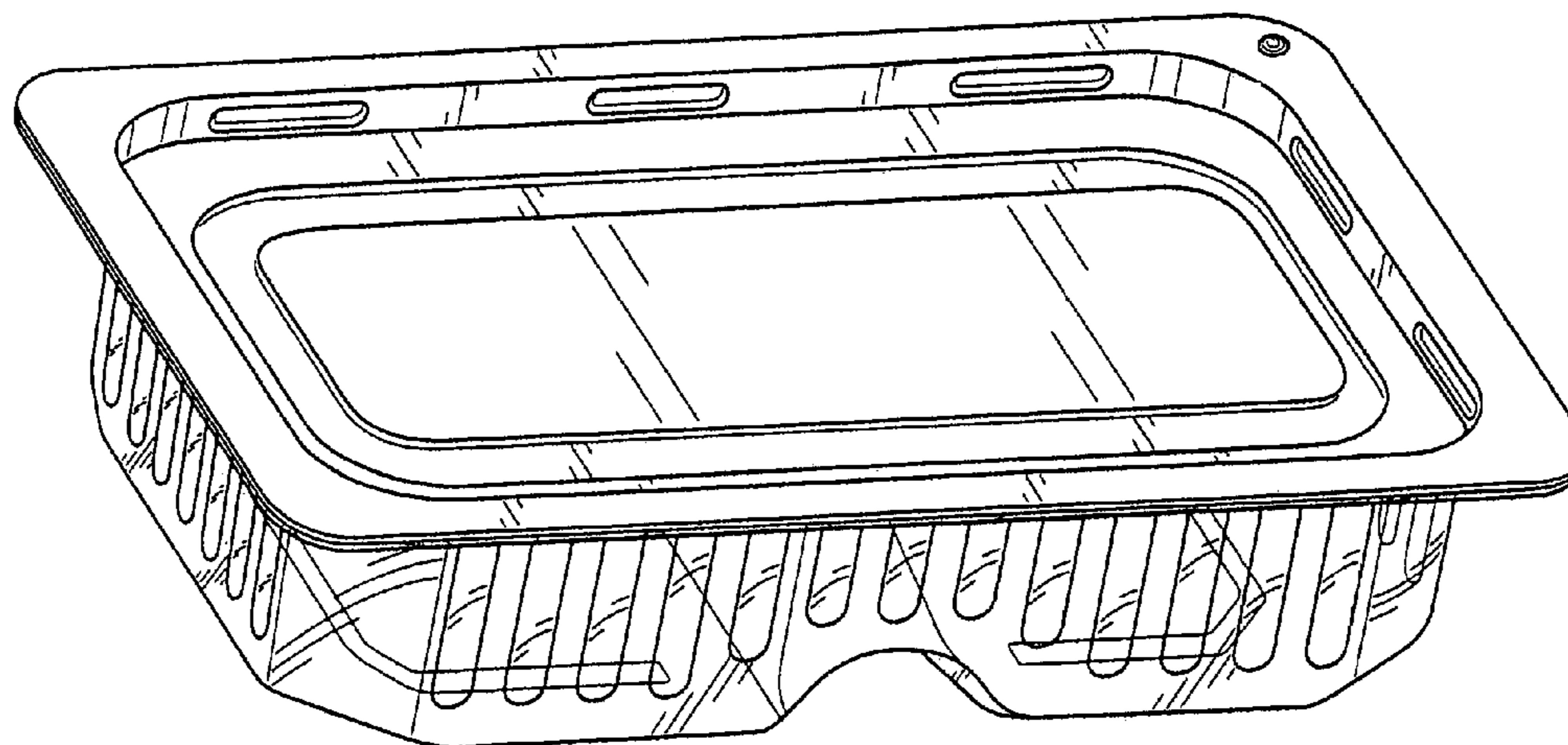
FIG. 13 is a left side elevational view thereof;

FIG. 14 is a front elevational view thereof;

FIG. 15 is a rear elevational view thereof; and,

FIG. 16 is an exploded top perspective view thereof.

1 Claim, 14 Drawing Sheets



US D553,010 S

Page 2

U.S. PATENT DOCUMENTS

D433,592 S	*	11/2000	Hopkins	D7/359	D446,719 S		8/2001	Garraway	
D434,276 S	*	11/2000	Obra	D7/555	D448,130 S	*	9/2001	Wagner	D32/53.1
D443,510 S		6/2001	Doucette		D482,277 S		11/2003	Castellanos et al.	

* cited by examiner

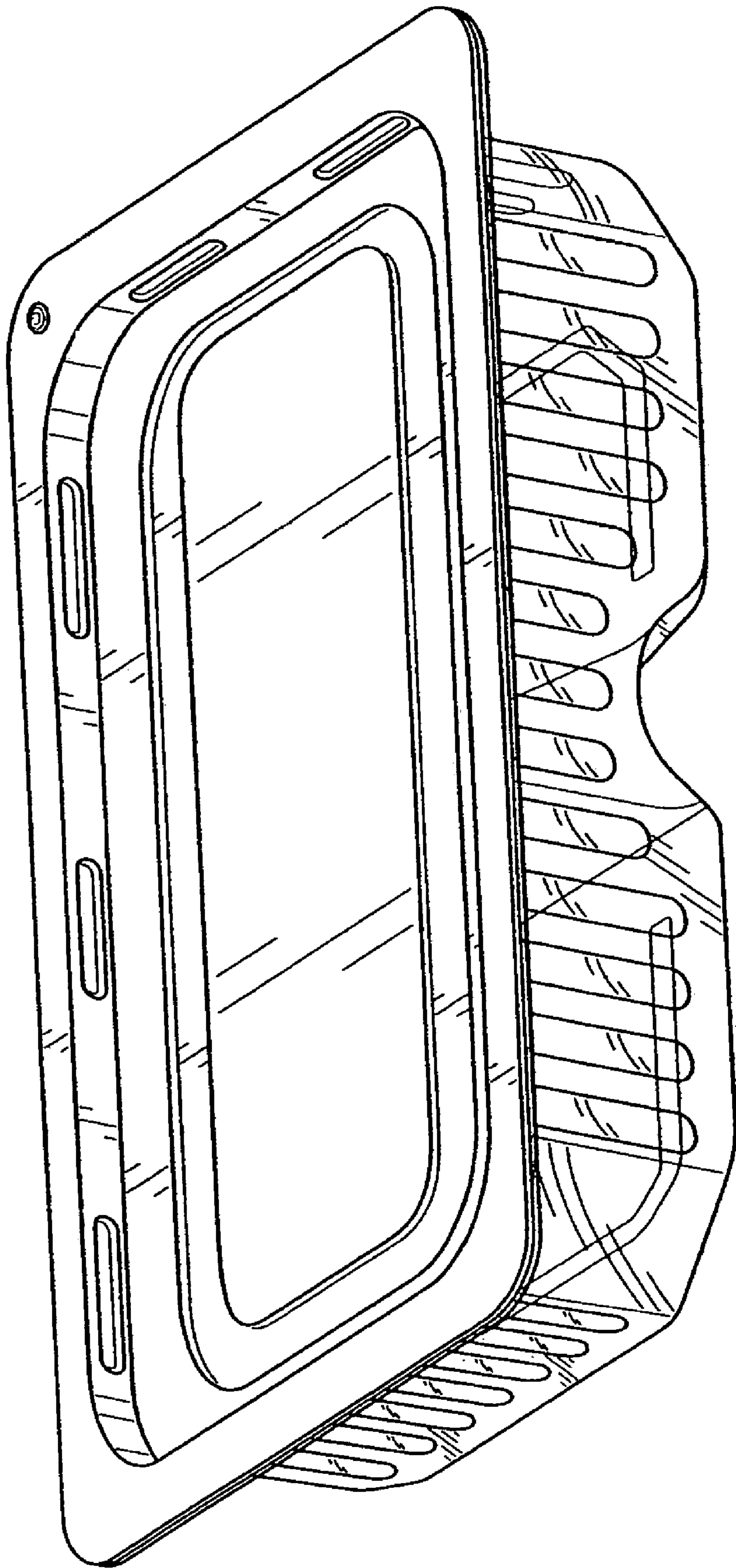


FIG. 1

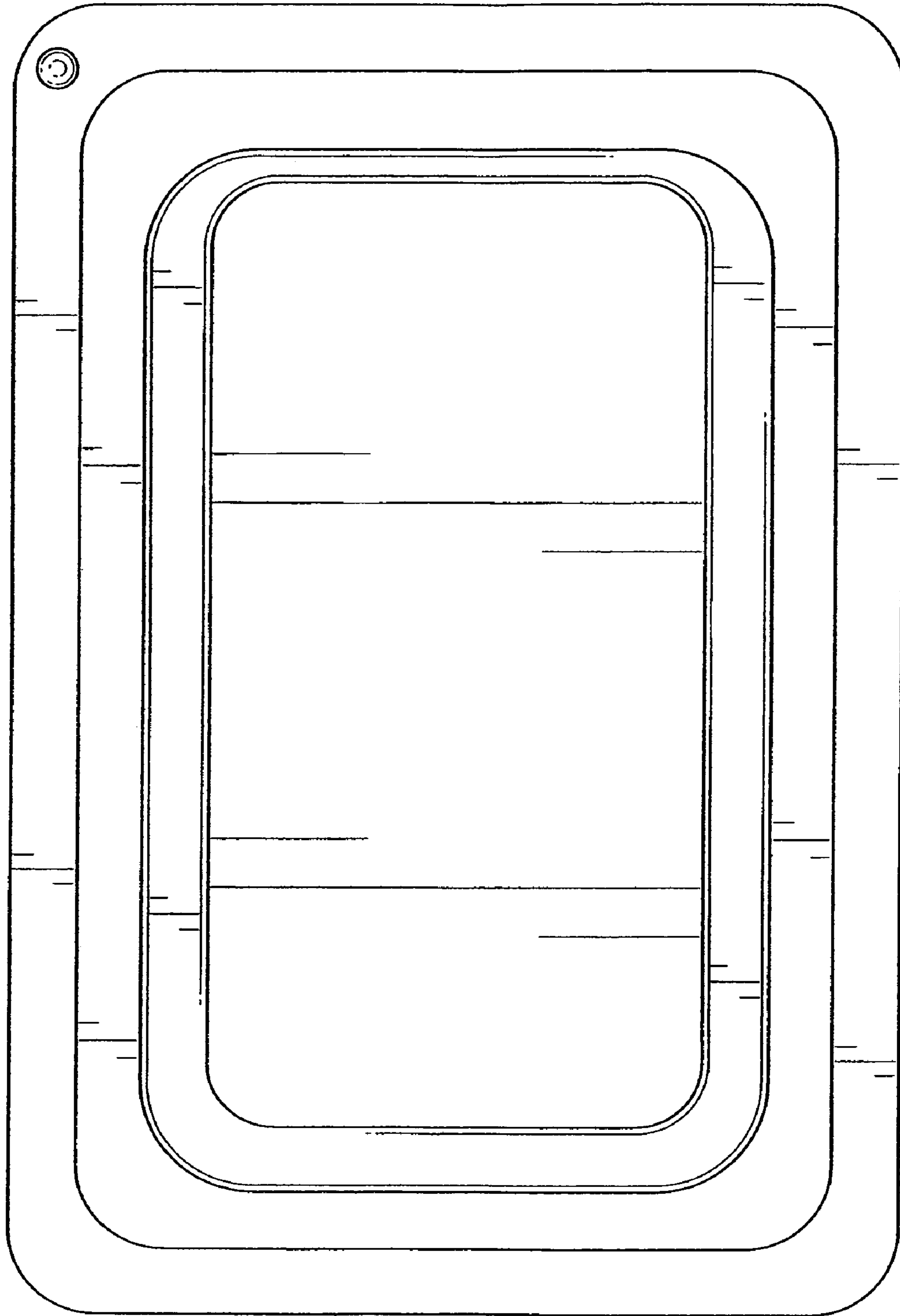


FIG. 2

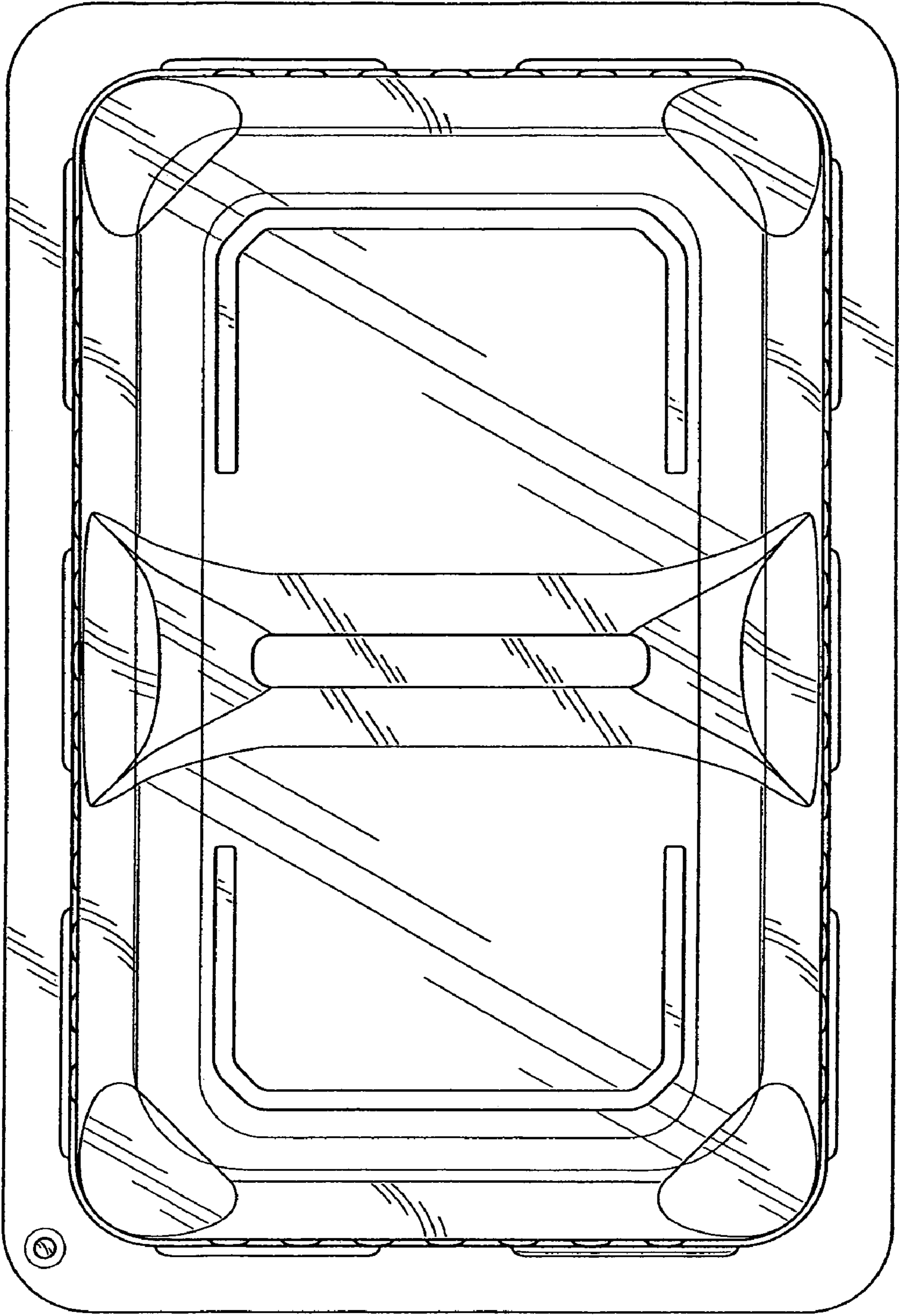


FIG. 3

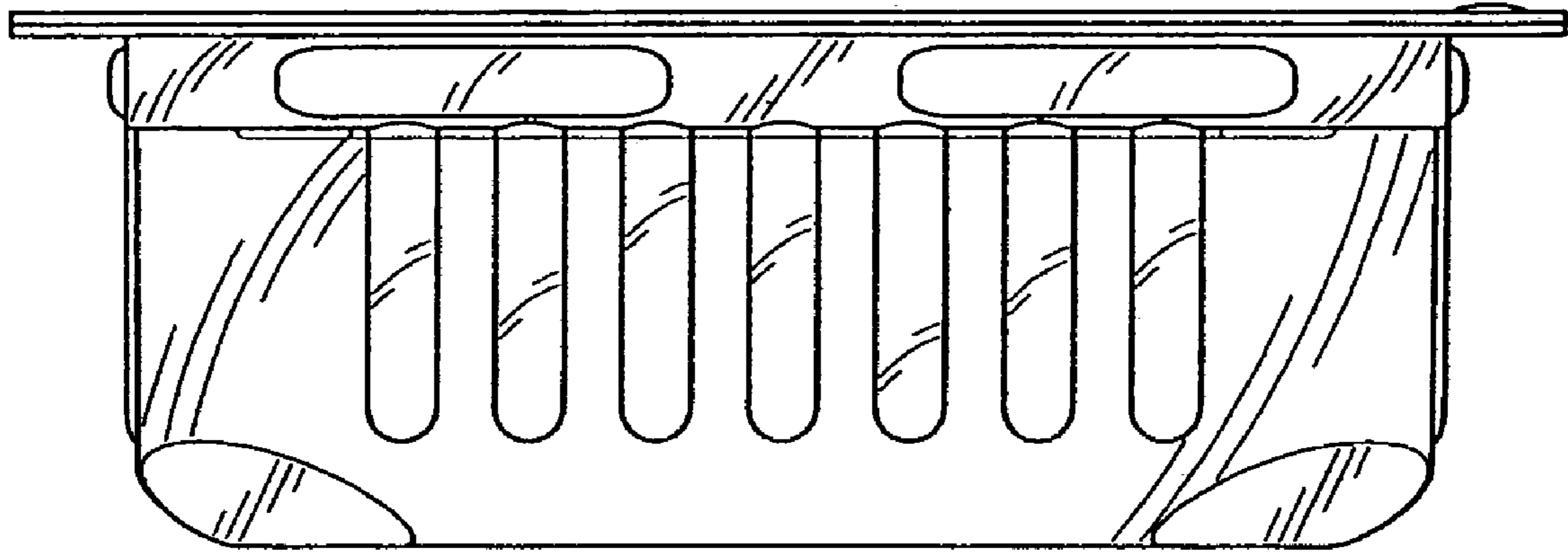


FIG. 4

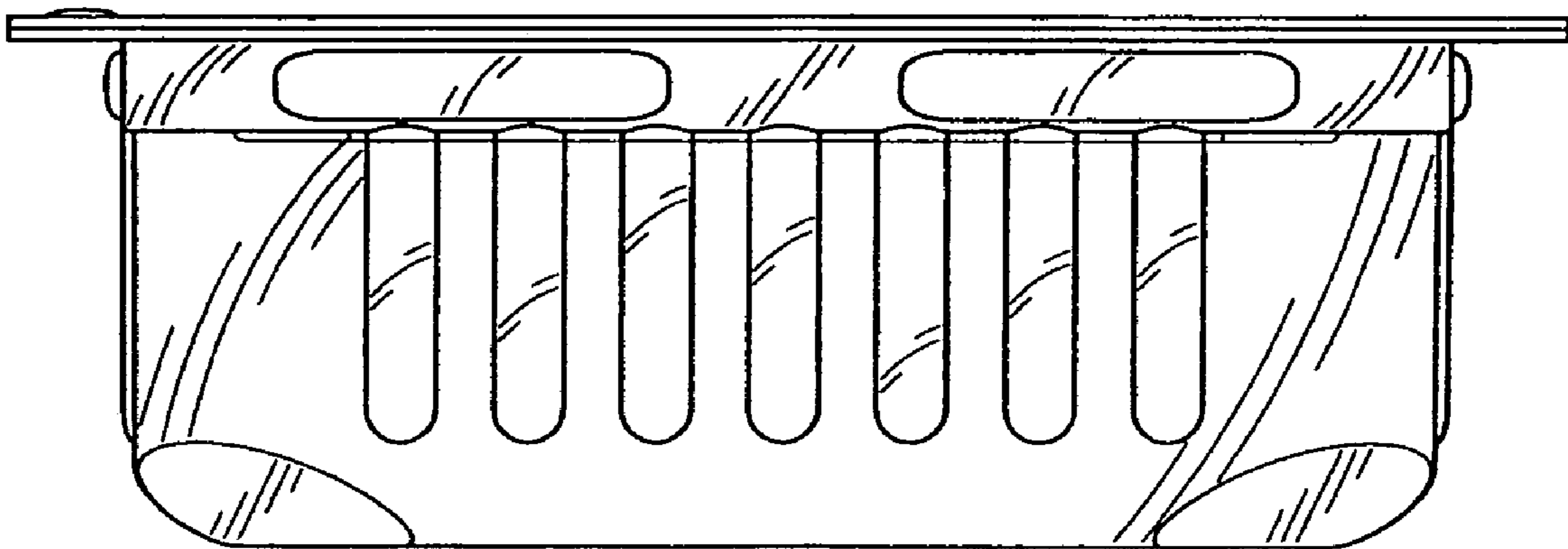


FIG. 5

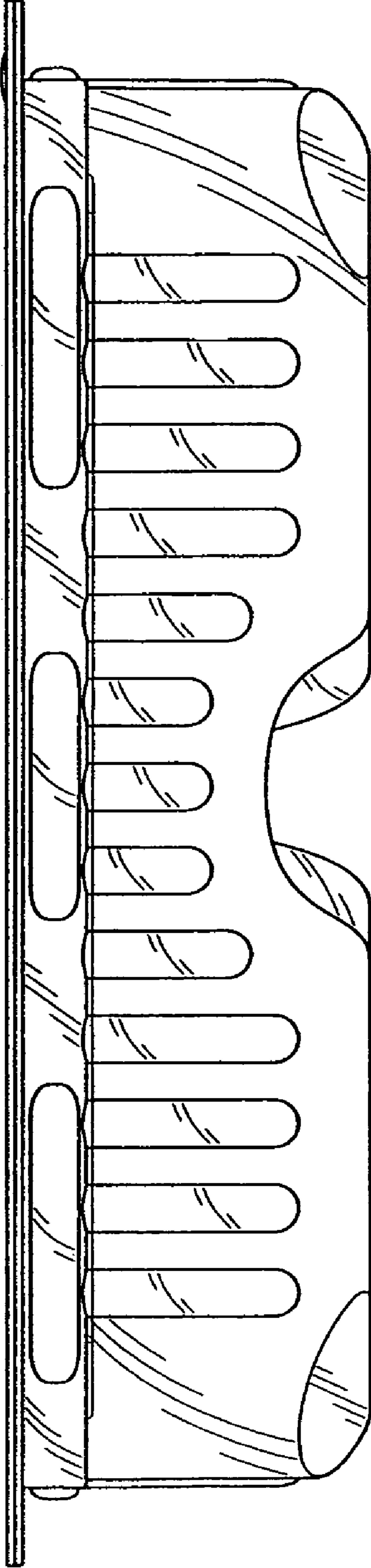


FIG. 6

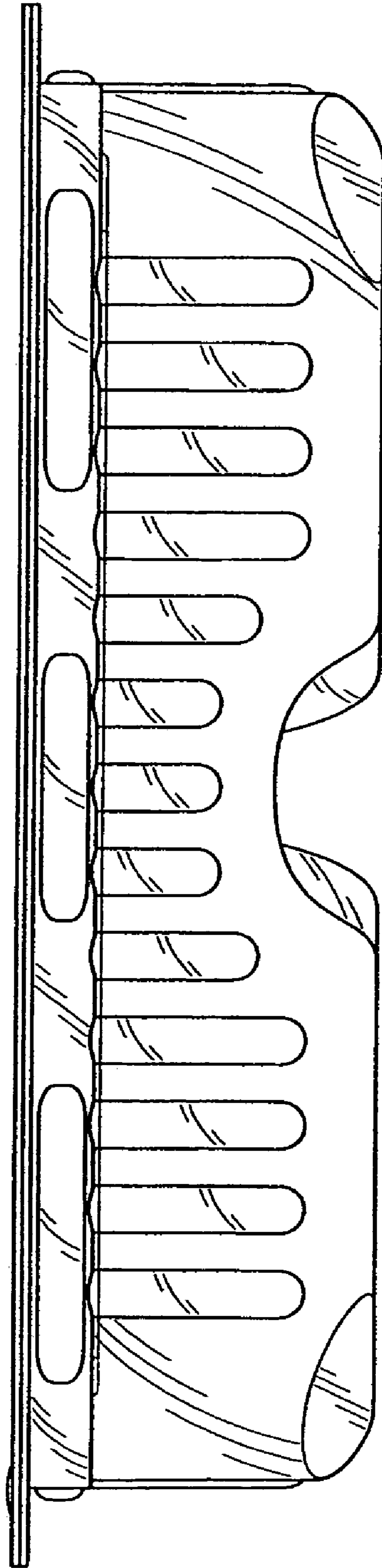


FIG. 7

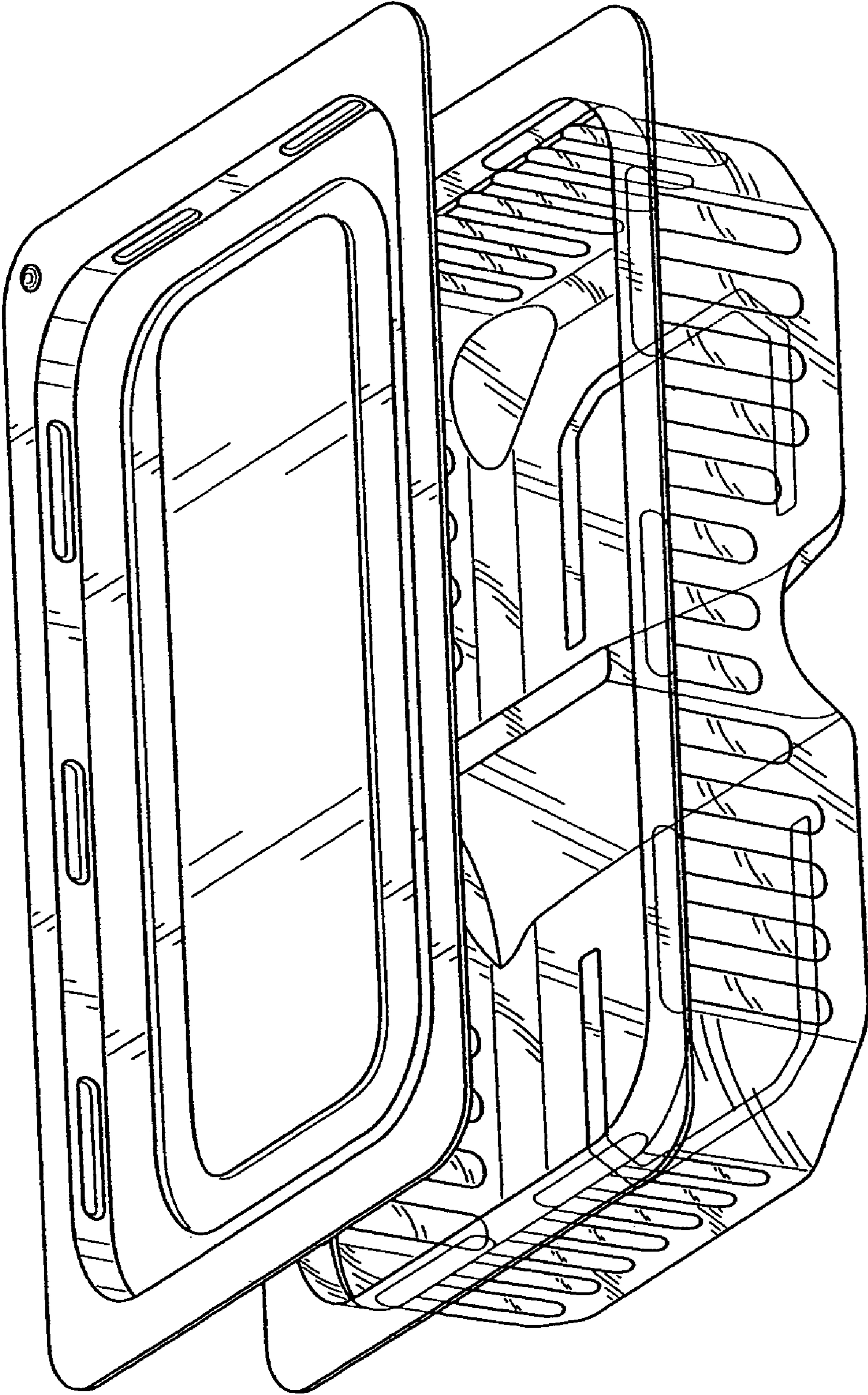


FIG. 8

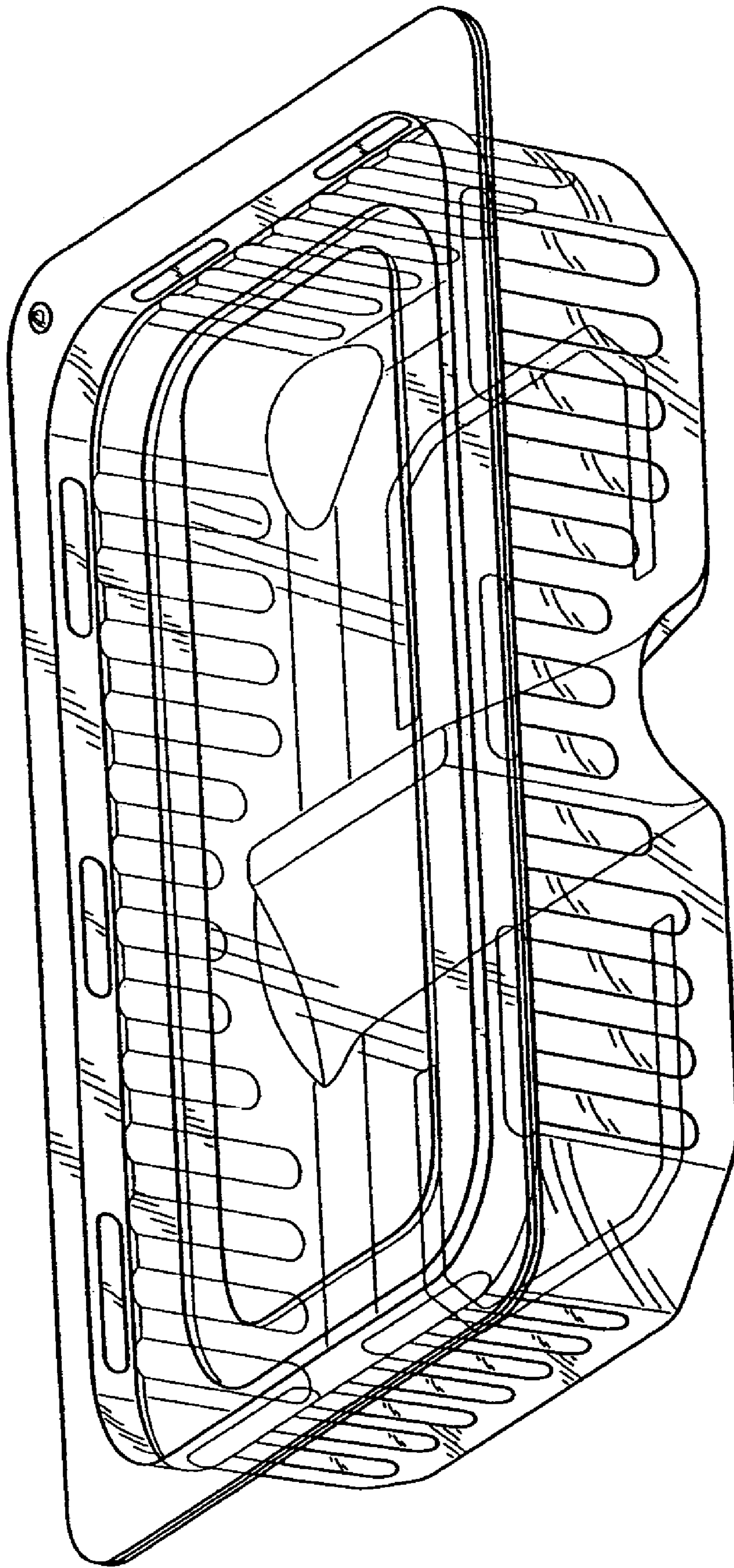


FIG. 9

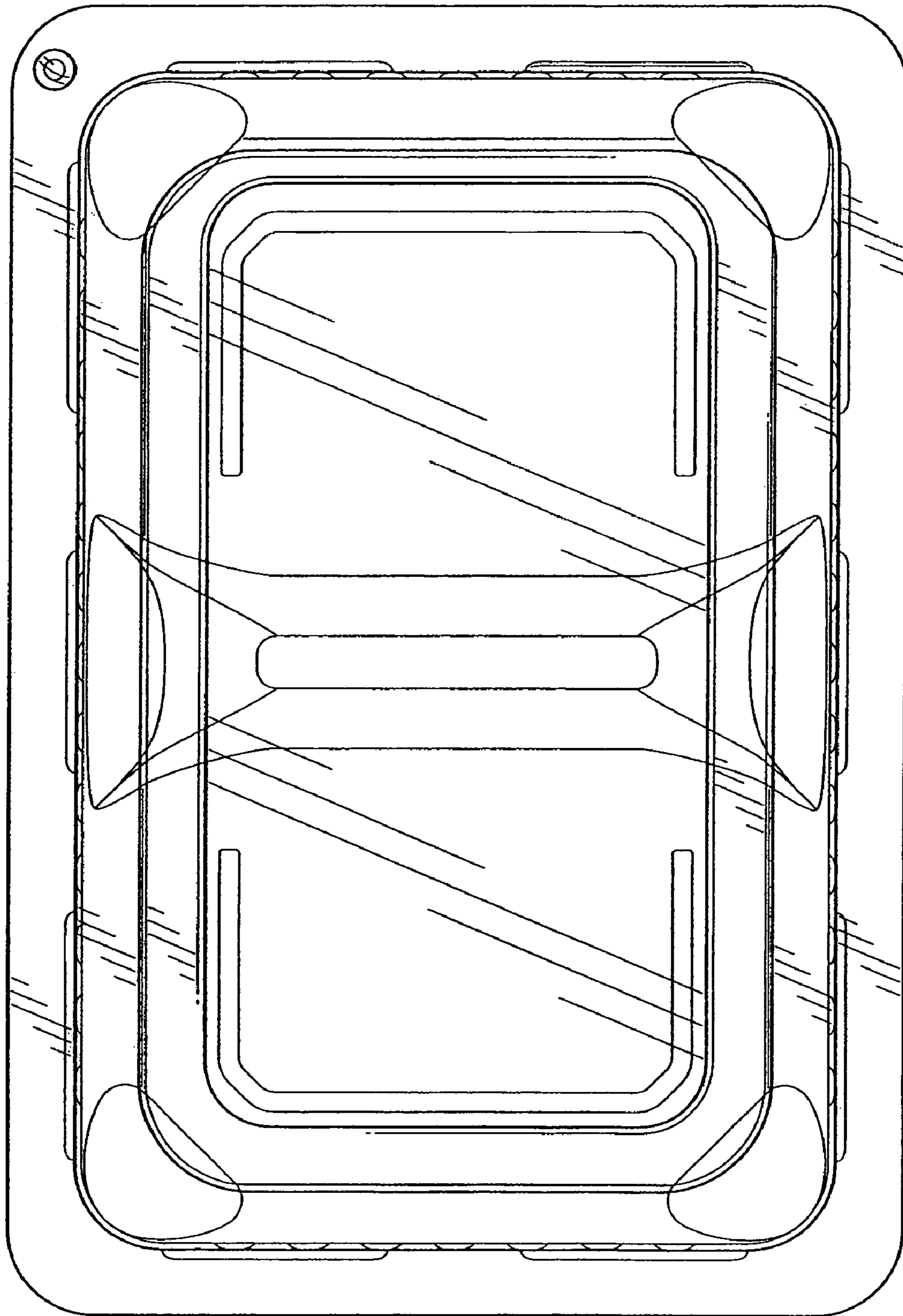


FIG. 10

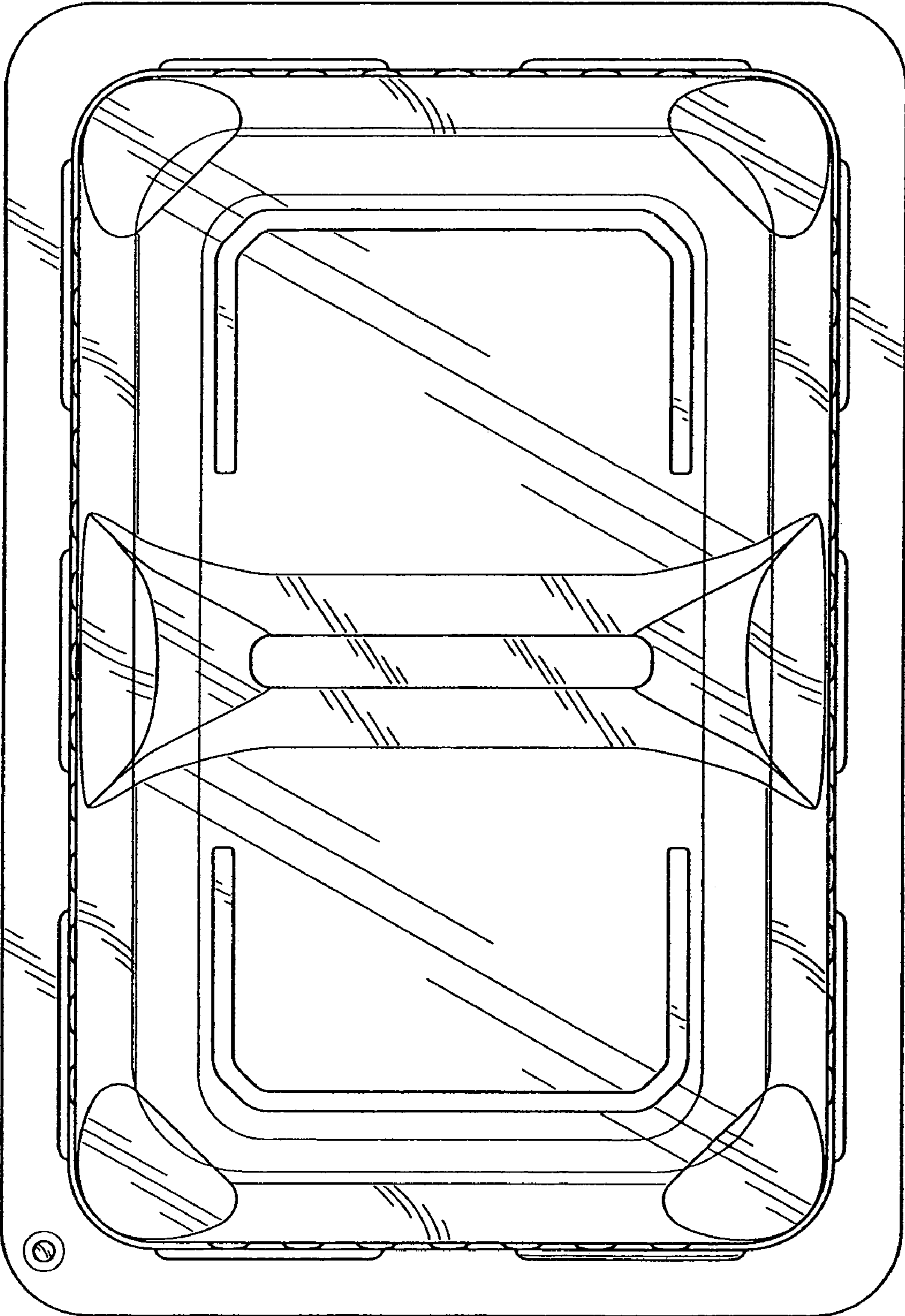


FIG. 11

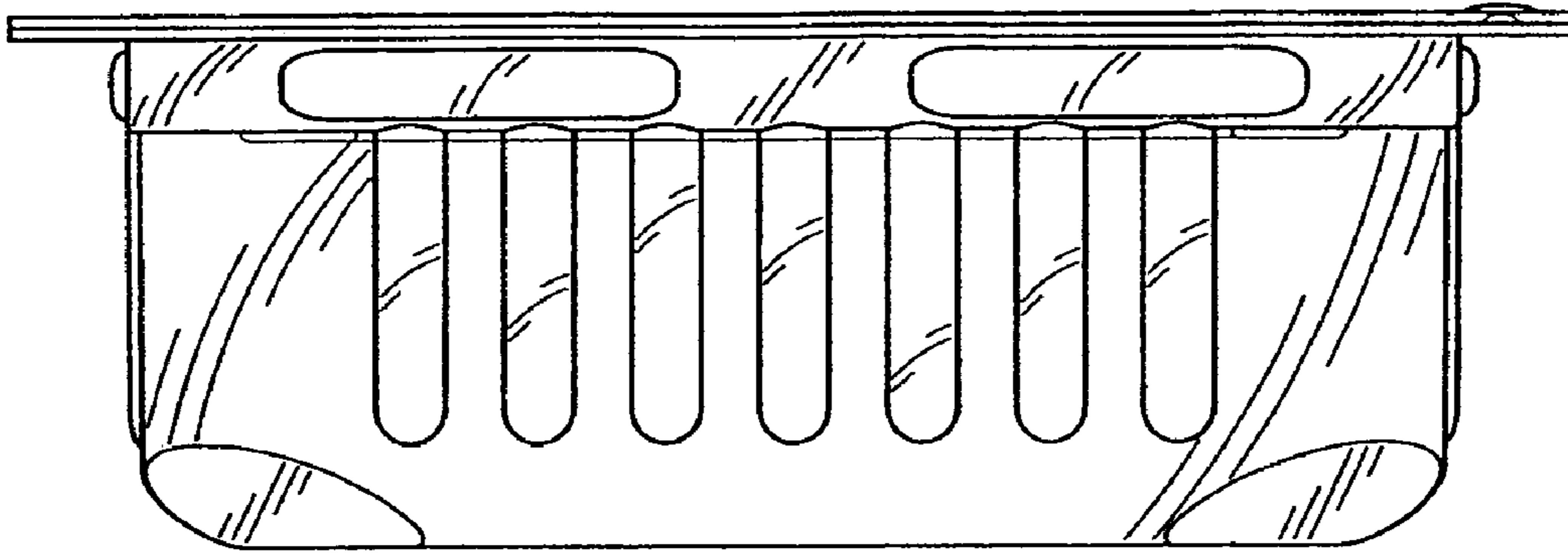


FIG. 12

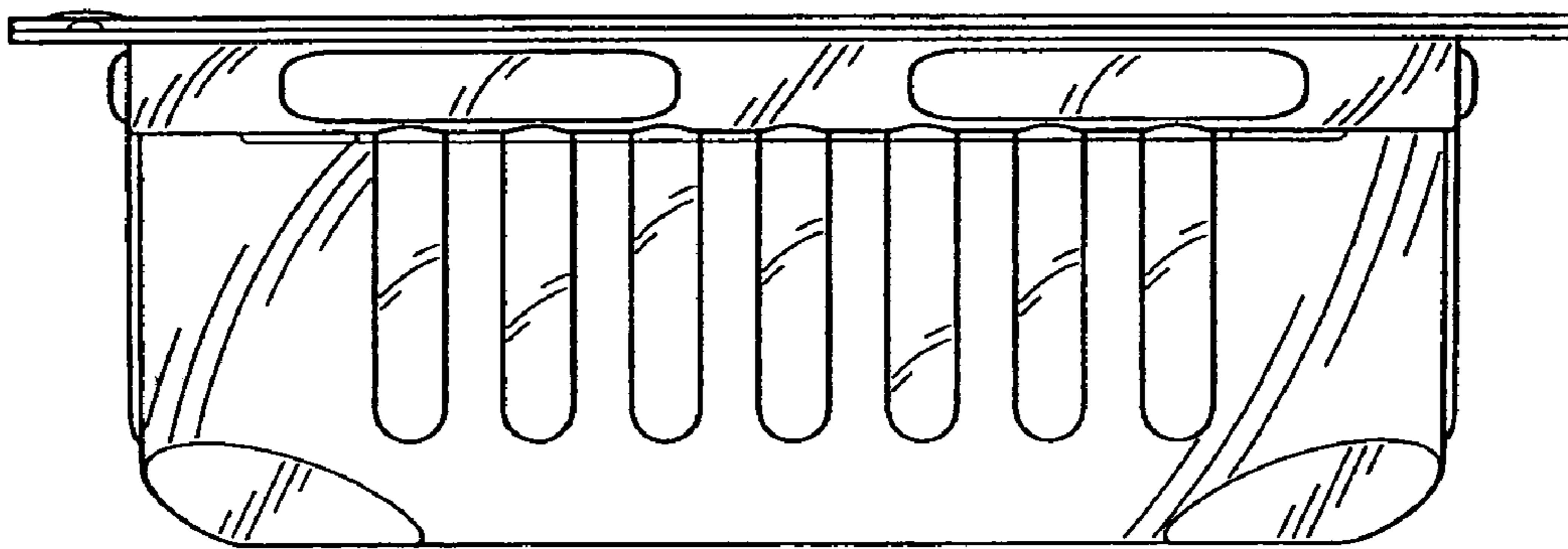


FIG. 13

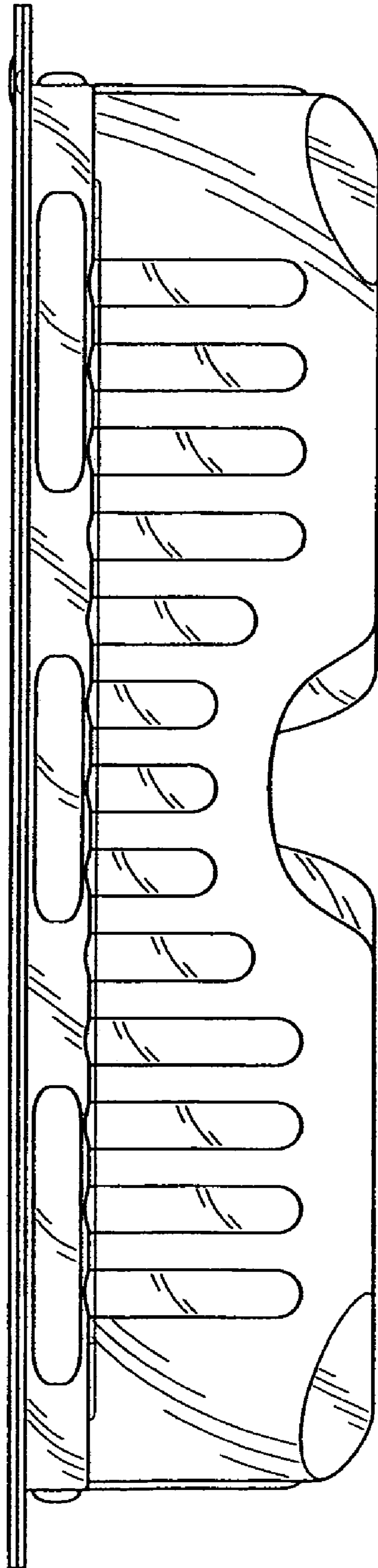


FIG. 14

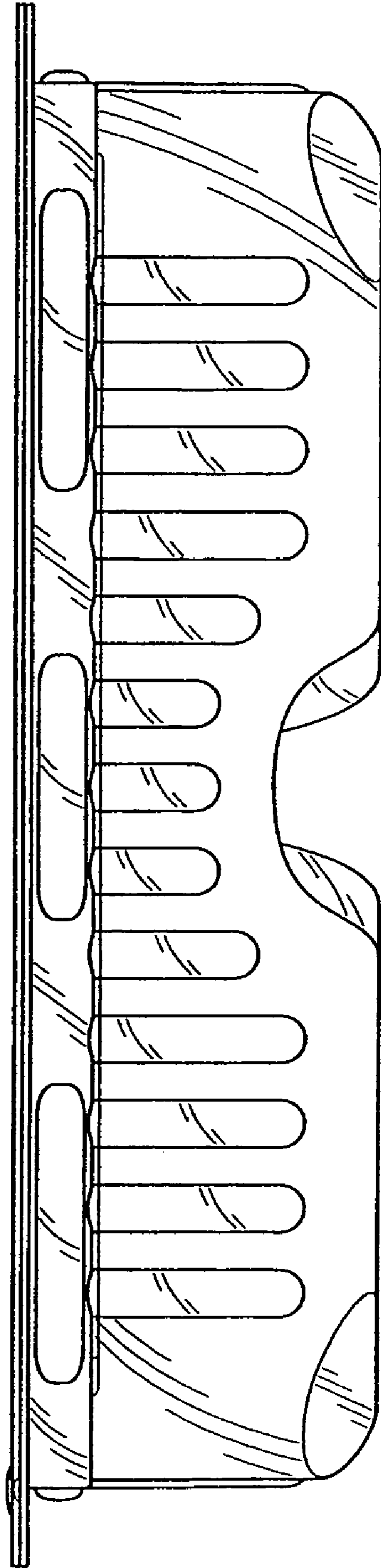


FIG. 15

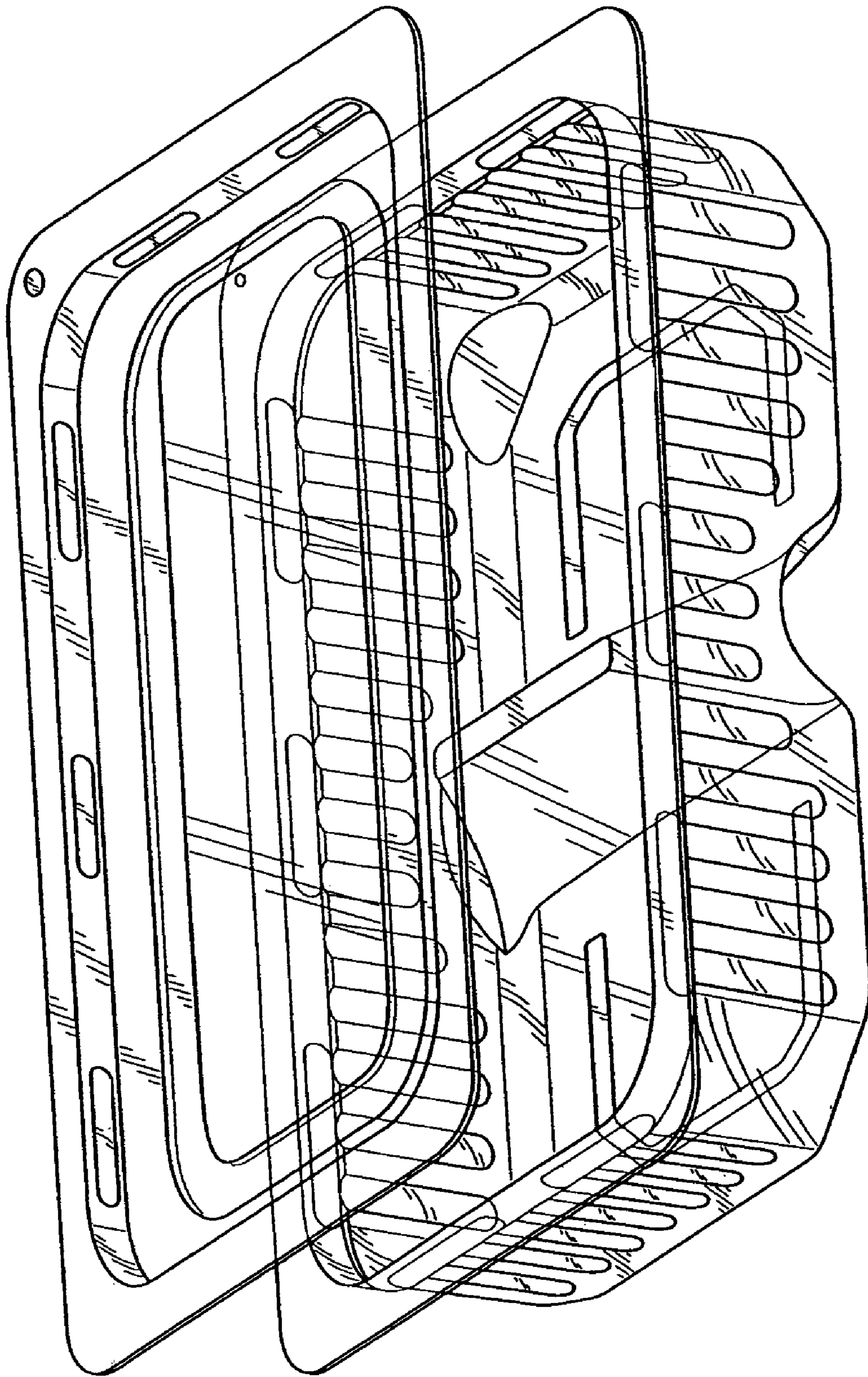


FIG. 16