



US00D552993S

(12) **United States Design Patent**
Rathbone et al.

(10) **Patent No.:** **US D552,993 S**

(45) **Date of Patent:** **** Oct. 16, 2007**

(54) **PRODUCT DISPENSER**

(75) Inventors: **Jonathan E. Rathbone**,
Wolverhampton (GB); **Katie J.**
Hernandez, Chicago, IL (US); **James**
T. Simpson, Chicago, IL (US); **Elaine**
S. Madansky, Glenview, IL (US)

(73) Assignee: **Wm. Wrigley Jr. Company**, Chicago,
IL (US)

(**) Term: **14 Years**

(21) Appl. No.: **29/243,980**

(22) Filed: **Dec. 2, 2005**

(51) **LOC (8) Cl.** **09-01**

(52) **U.S. Cl.** **D9/504; D9/529**

(58) **Field of Classification Search** D9/443,
D9/449, 452-454, 500, 502-504, 516, 529,
D9/537-540, 549, 557-558, 776-778; D7/509-511,
D7/523, 532-533, 590-591, 596-597; 215/379-384;
220/660-662, 669, 675-676

See application file for complete search history.

(56) **References Cited**

U.S. PATENT DOCUMENTS

D366,418 S *	1/1996	Lown et al.	D9/449
5,772,086 A	6/1998	Krafft	
D398,852 S *	9/1998	Gross	D9/453
5,894,965 A	4/1999	Robbins	
D426,773 S	6/2000	Warner	
D435,108 S *	12/2000	Chomik et al.	D24/197
D460,560 S *	7/2002	Chomik et al.	D24/197
6,422,426 B1	7/2002	Robbins	
D469,013 S	1/2003	Flurer	
D475,923 S *	6/2003	Renz	D9/446
D480,268 S *	10/2003	Laib	D7/510
D482,509 S *	11/2003	Lin	D34/39
D490,708 S *	6/2004	Lown	D9/438
D502,396 S *	3/2005	Frisch et al.	D9/503

D502,397 S	3/2005	Lopez-Villasenor	
D502,873 S *	3/2005	Capece et al.	D9/447
D503,075 S	3/2005	Martin	
D507,753 S	7/2005	Lamb	
D509,434 S	9/2005	Haruta	
D511,302 S	11/2005	Lamb	
D512,917 S *	12/2005	Frisch et al.	D9/516
D531,856 S *	11/2006	Seum et al.	D7/523
D535,151 S *	1/2007	Seum et al.	D7/510

* cited by examiner

Primary Examiner—Ian Simmons

Assistant Examiner—Dana Sipos

(74) *Attorney, Agent, or Firm*—Rebecca A. Aumann

(57) **CLAIM**

The ornamental design for a product dispenser, as shown and described.

DESCRIPTION

FIG. 1 is a front, right side perspective view of a product dispenser showing our new design;

FIG. 2 is a rear, right side perspective view thereof;

FIG. 3 is a top plan view thereof;

FIG. 4 is a bottom plan view thereof;

FIG. 5 is a rear elevational view thereof;

FIG. 6 is a front elevational view thereof;

FIG. 7 is a right side elevational view thereof;

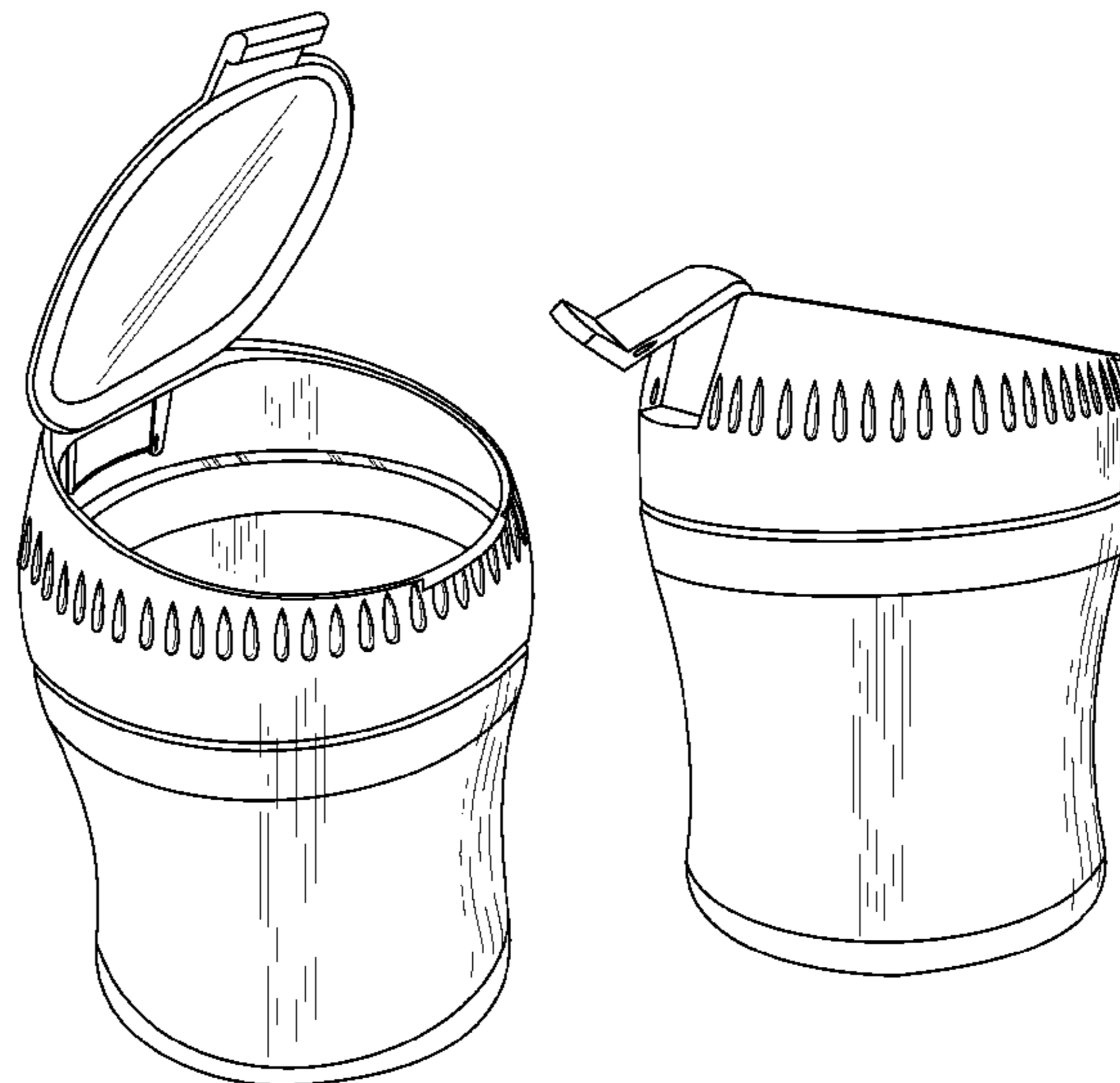
FIG. 8 is a left side elevational view thereof;

FIG. 9 is a rear, right side perspective view thereof, wherein a portion of the cover is in an open position; and,

FIG. 10 is a front, right side perspective view thereof, wherein the front portion of the cover is in an open position.

The broken lines shown in the drawings are for illustrative purposes only and form no part of the claimed design.

1 Claim, 5 Drawing Sheets



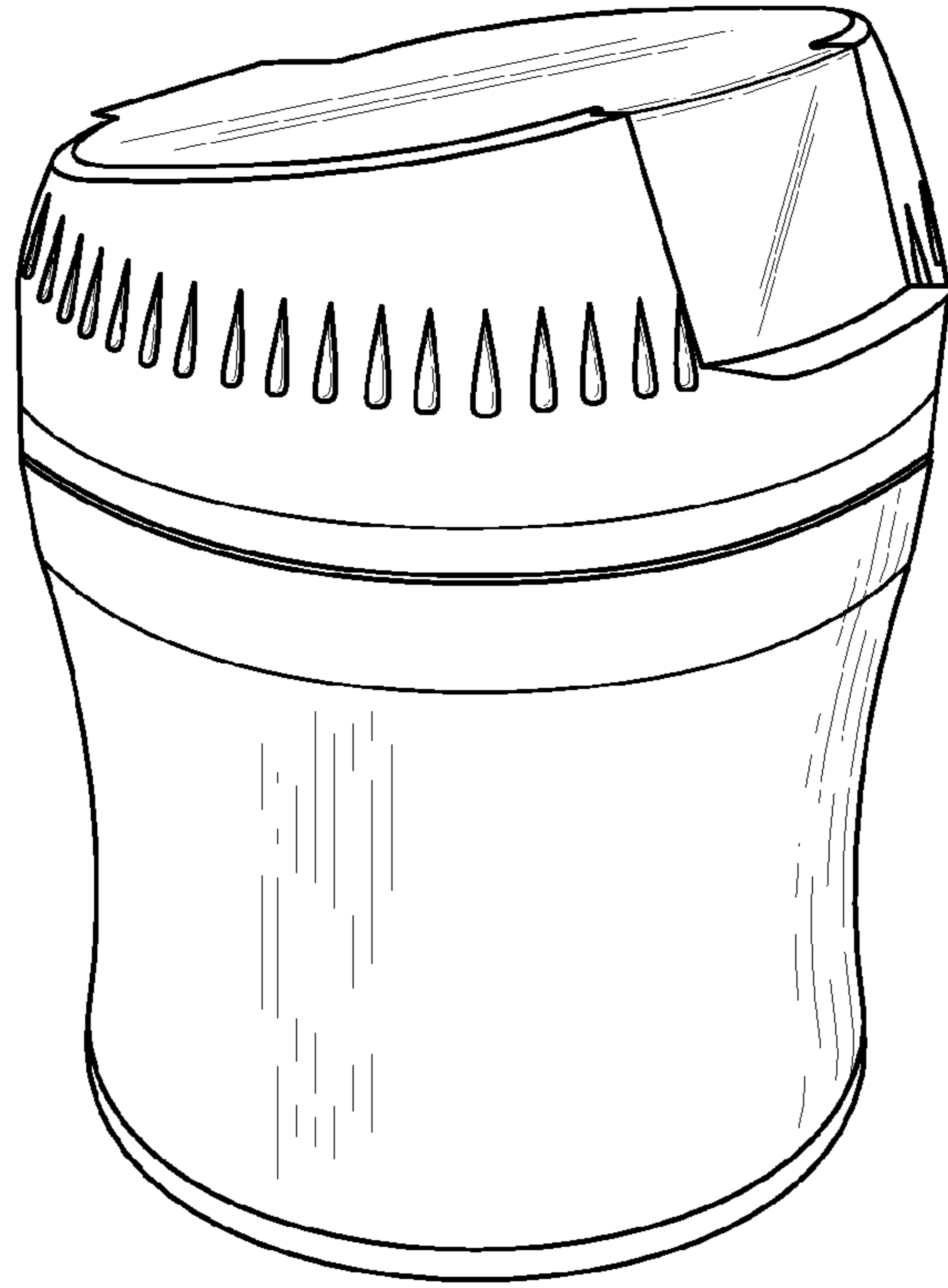


FIG. 1

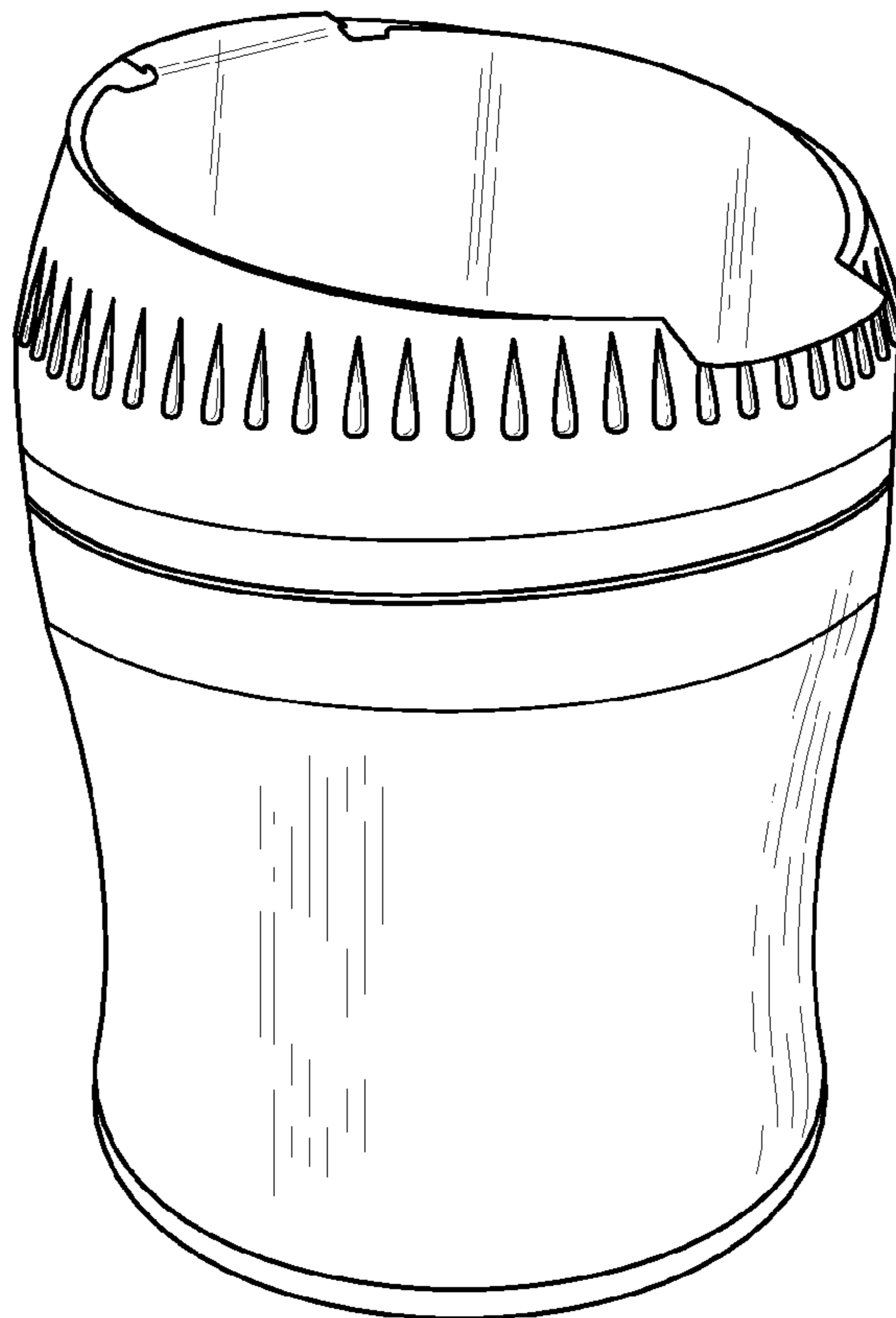


FIG. 2

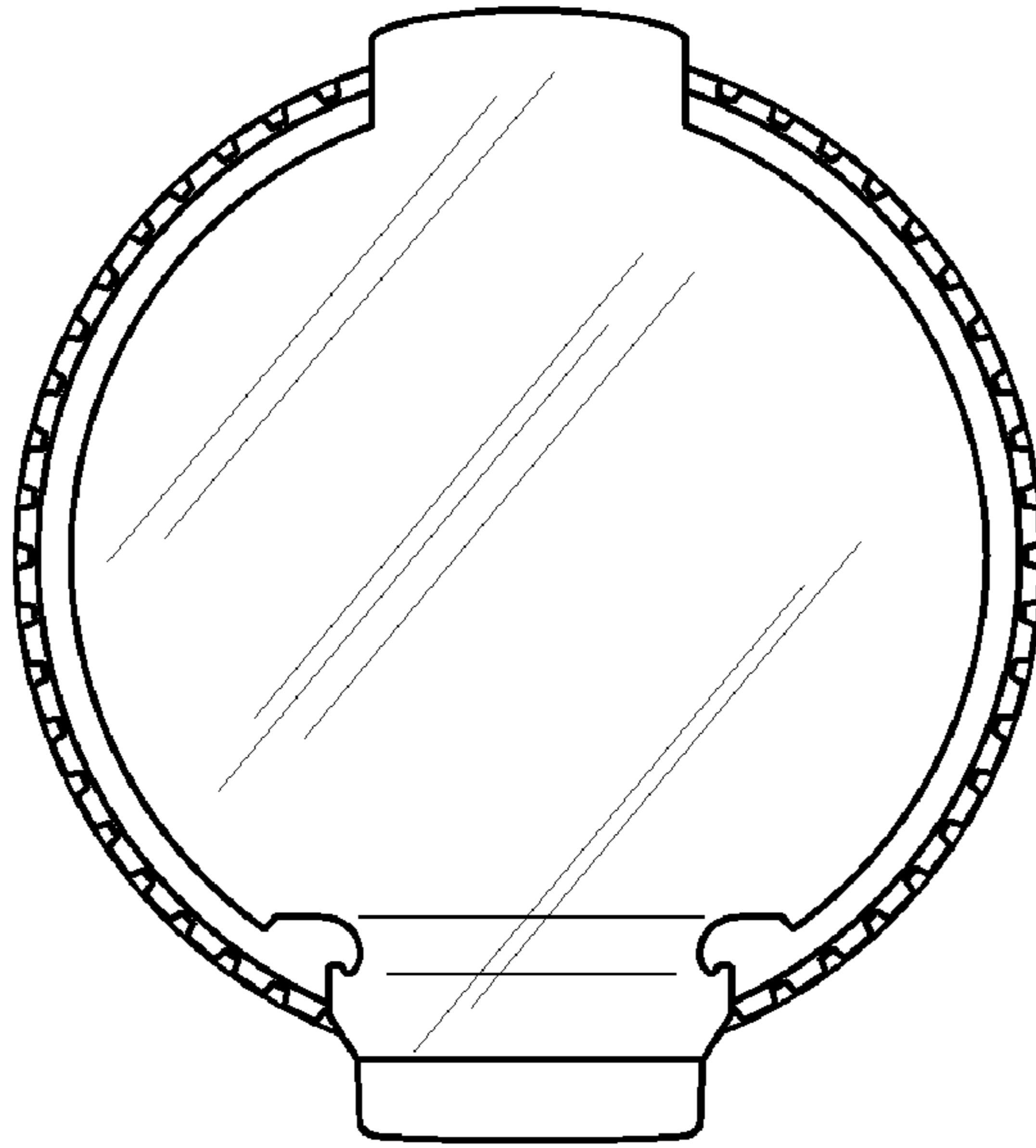


FIG. 3

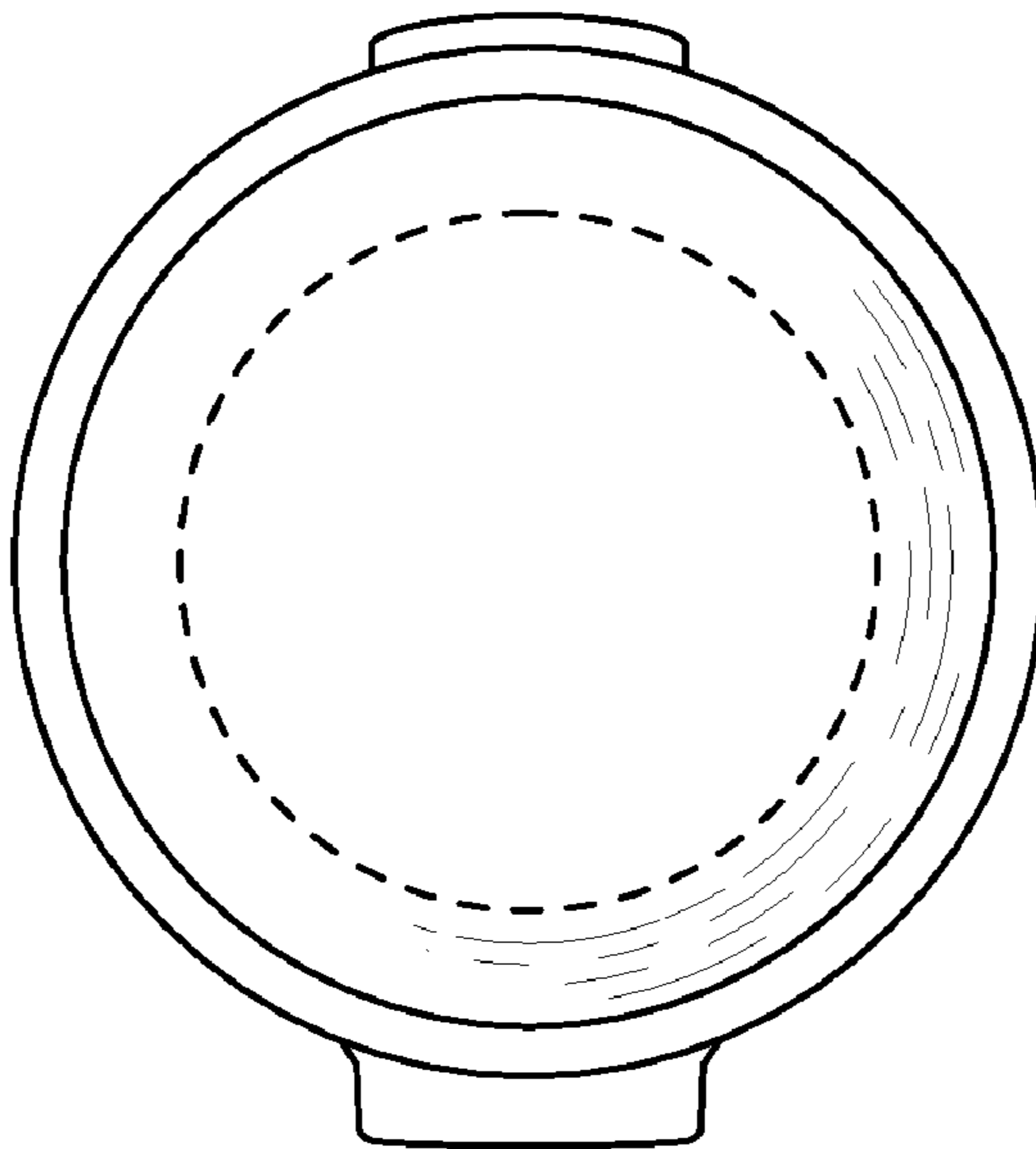


FIG. 4

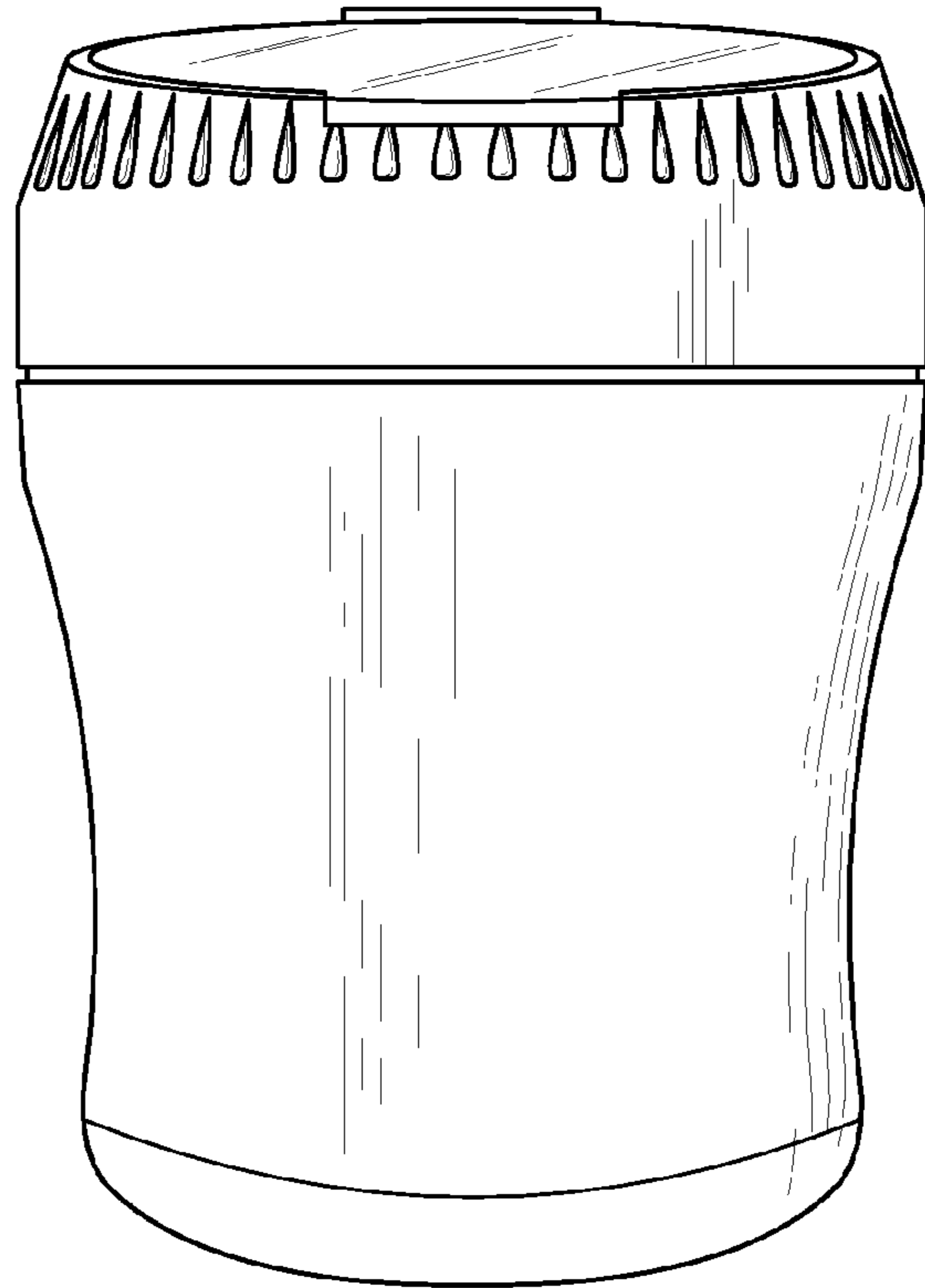


FIG. 5

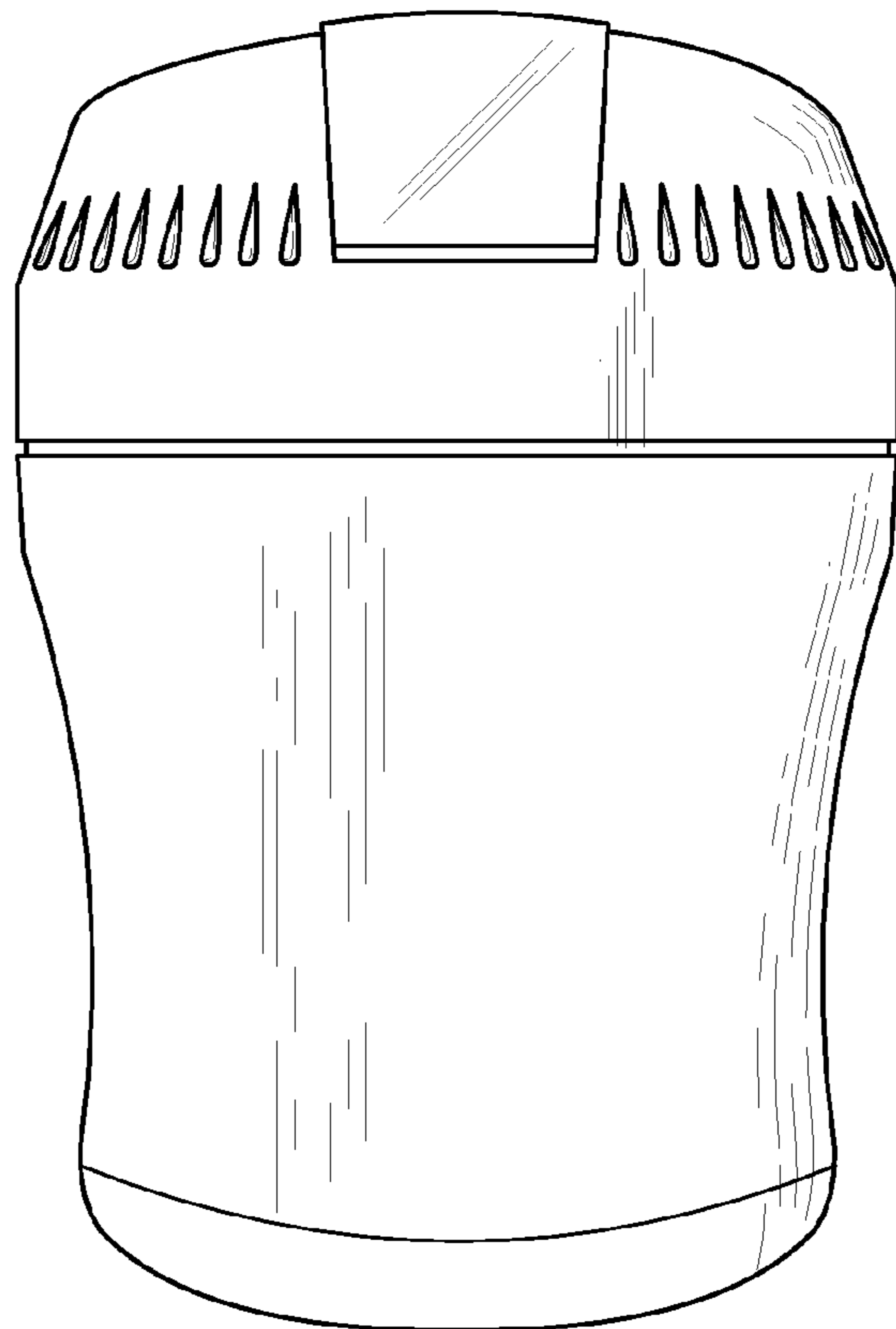


FIG. 6

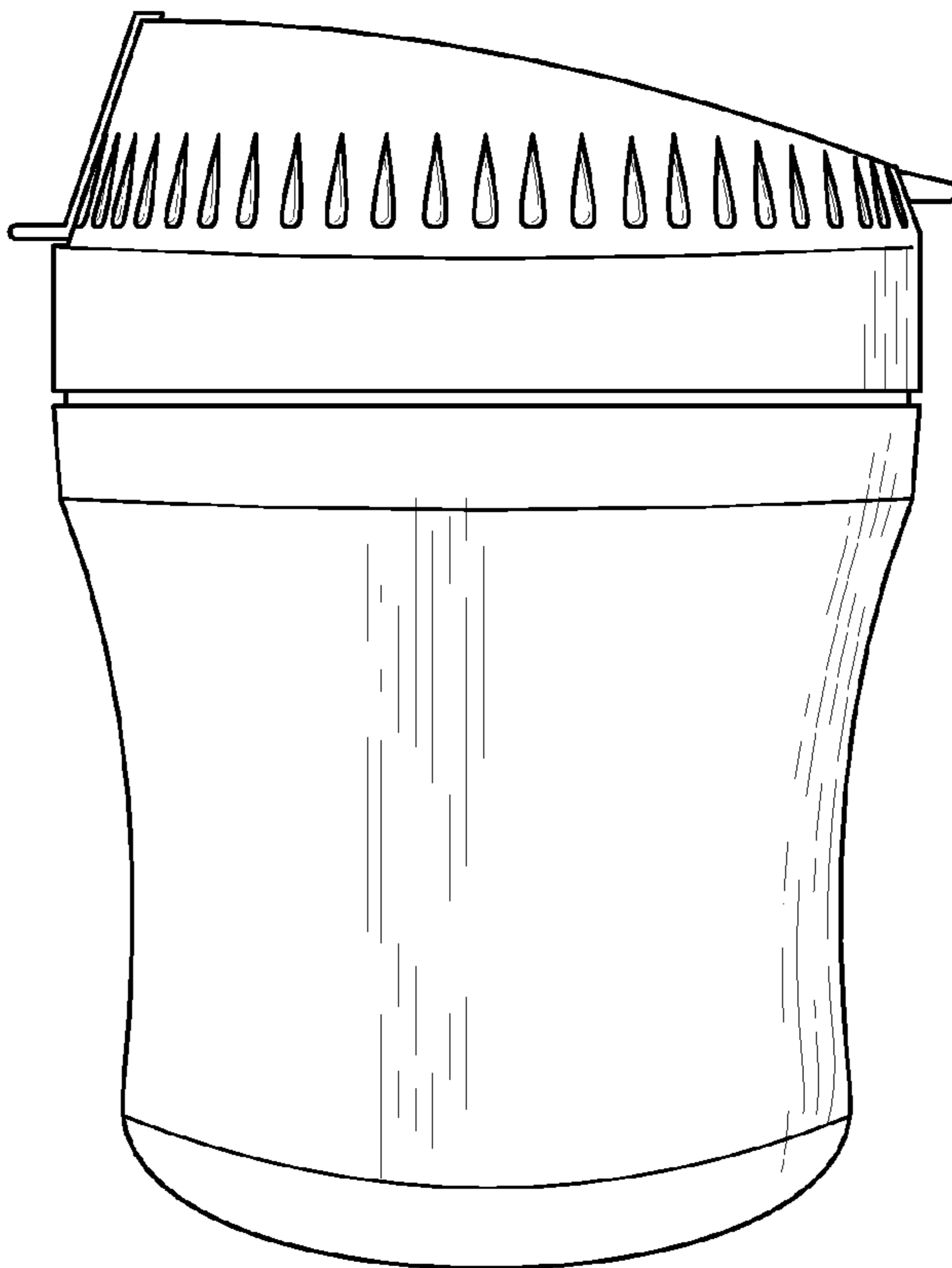


FIG. 7

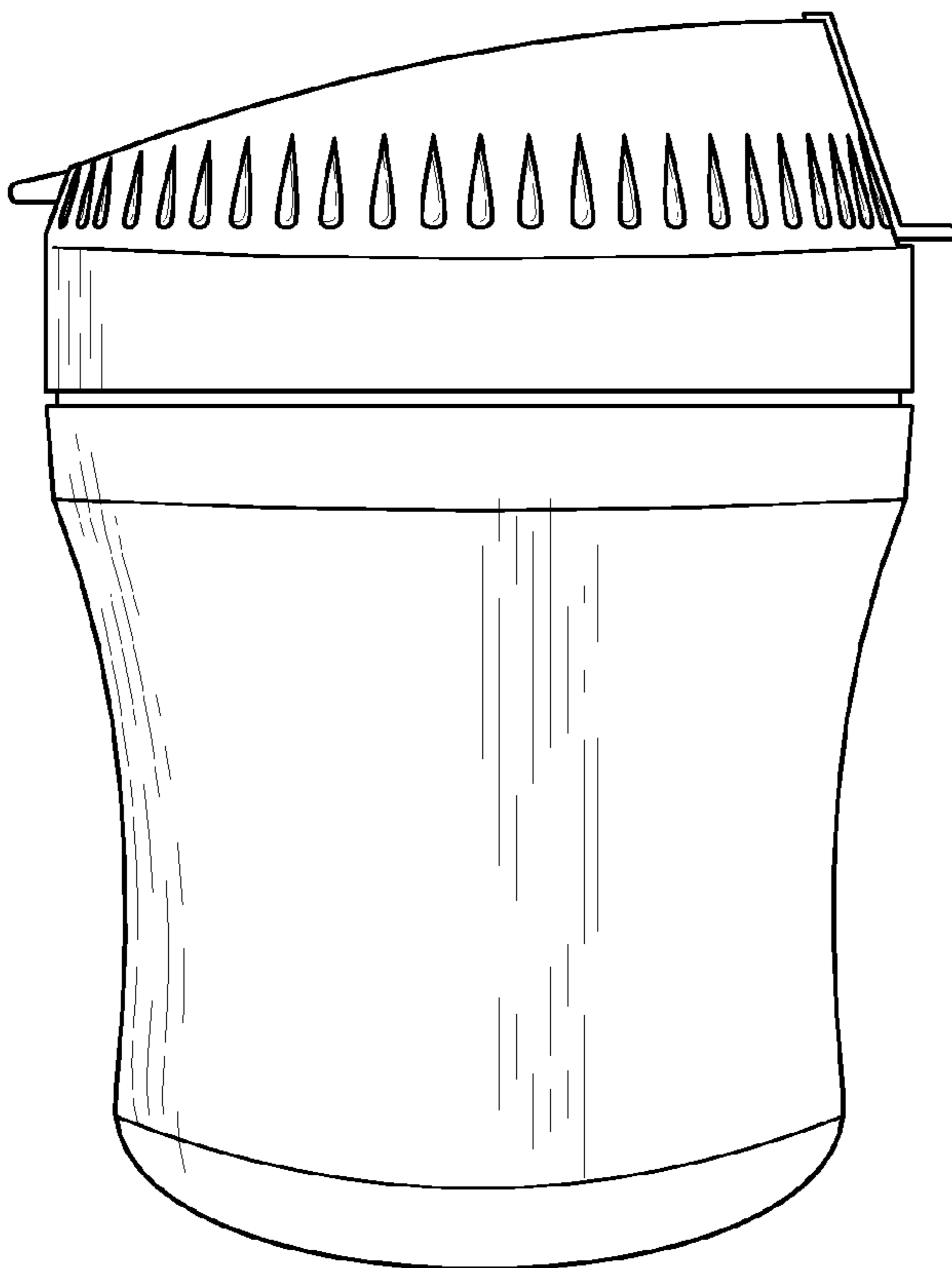


FIG. 8

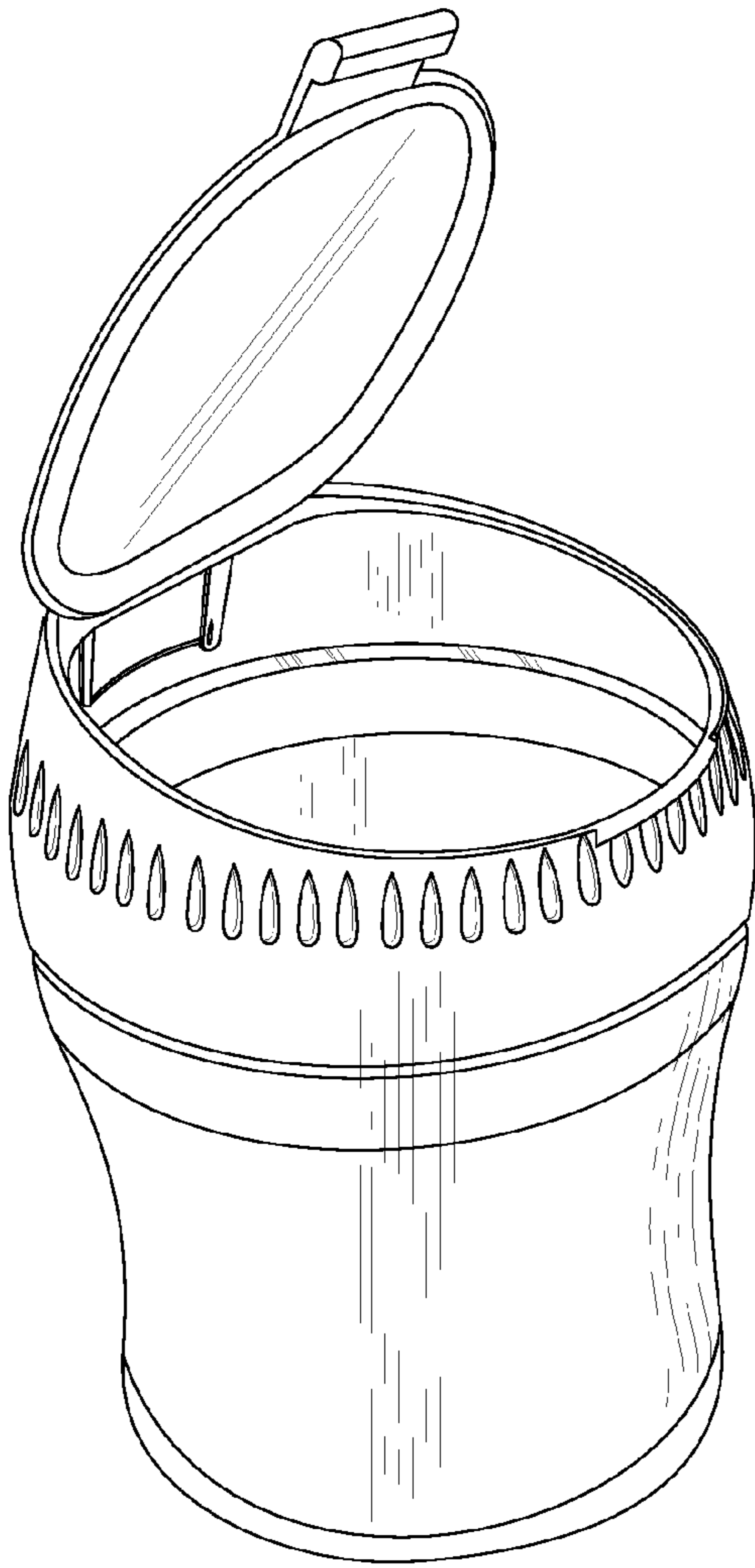


FIG. 9

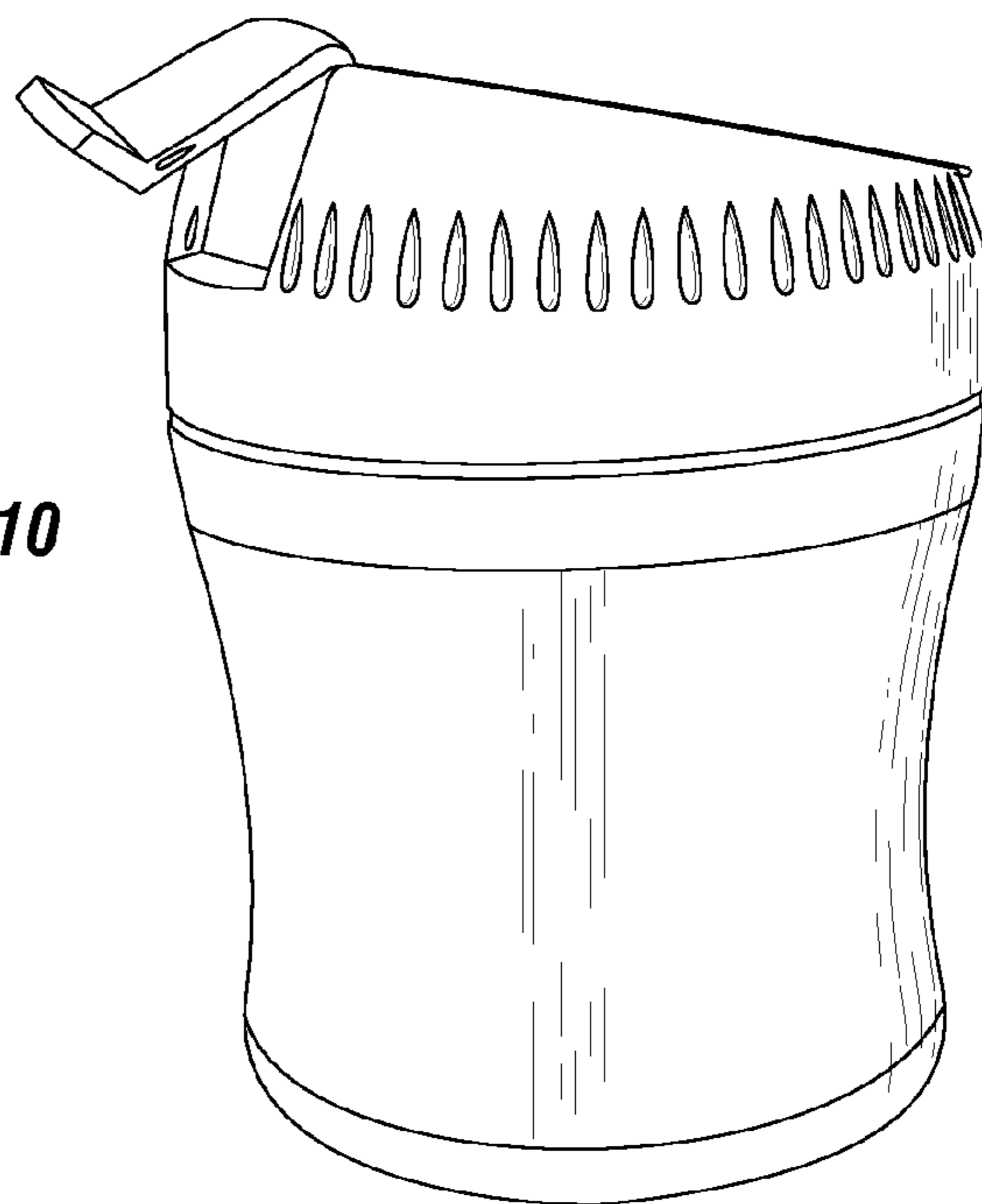


FIG. 10