



US00D552992S

(12) **United States Design Patent**  
**Spencer**

(10) **Patent No.:** **US D552,992 S**

(45) **Date of Patent:** **\*\* Oct. 16, 2007**

(54) **CAP**  
(75) Inventor: **Gary Spencer**, London (GB)  
(73) Assignee: **Glaxo Group Limited**, Middlesex (GB)  
(\*\*) Term: **14 Years**

D241,416 S \* 9/1976 Aul et al. .... D9/520  
D255,714 S \* 7/1980 Lancellotti ..... D24/221  
D342,141 S \* 12/1993 Baxter ..... D24/224  
D455,654 S \* 4/2002 Gobe ..... D9/445  
6,439,411 B1 \* 8/2002 Schwarz ..... 215/252  
D476,890 S \* 7/2003 Hirose ..... D9/440  
D507,351 S \* 7/2005 Birnboim ..... D24/224

(21) Appl. No.: **29/239,862**

\* cited by examiner

(22) Filed: **Oct. 5, 2005**

*Primary Examiner*—Robert M. Spear  
*Assistant Examiner*—Susan Bennett Hattan  
(74) *Attorney, Agent, or Firm*—Nora Stein-Fernandez;  
Theodore R. Furman; Charles M. Kinzig

(30) **Foreign Application Priority Data**

Apr. 7, 2005 (GB) ..... 3020860

(51) **LOC (8) Cl.** ..... **09-07**

(52) **U.S. Cl.** ..... **D9/454**

(58) **Field of Classification Search** ..... D9/529,  
D9/504, 454, 452, 451, 445, 439, 438, 435;  
D24/224, 221; 220/288, 214; 215/901,  
215/252

See application file for complete search history.

(57) **CLAIM**

The ornamental design for a cap, as shown and described.

**DESCRIPTION**

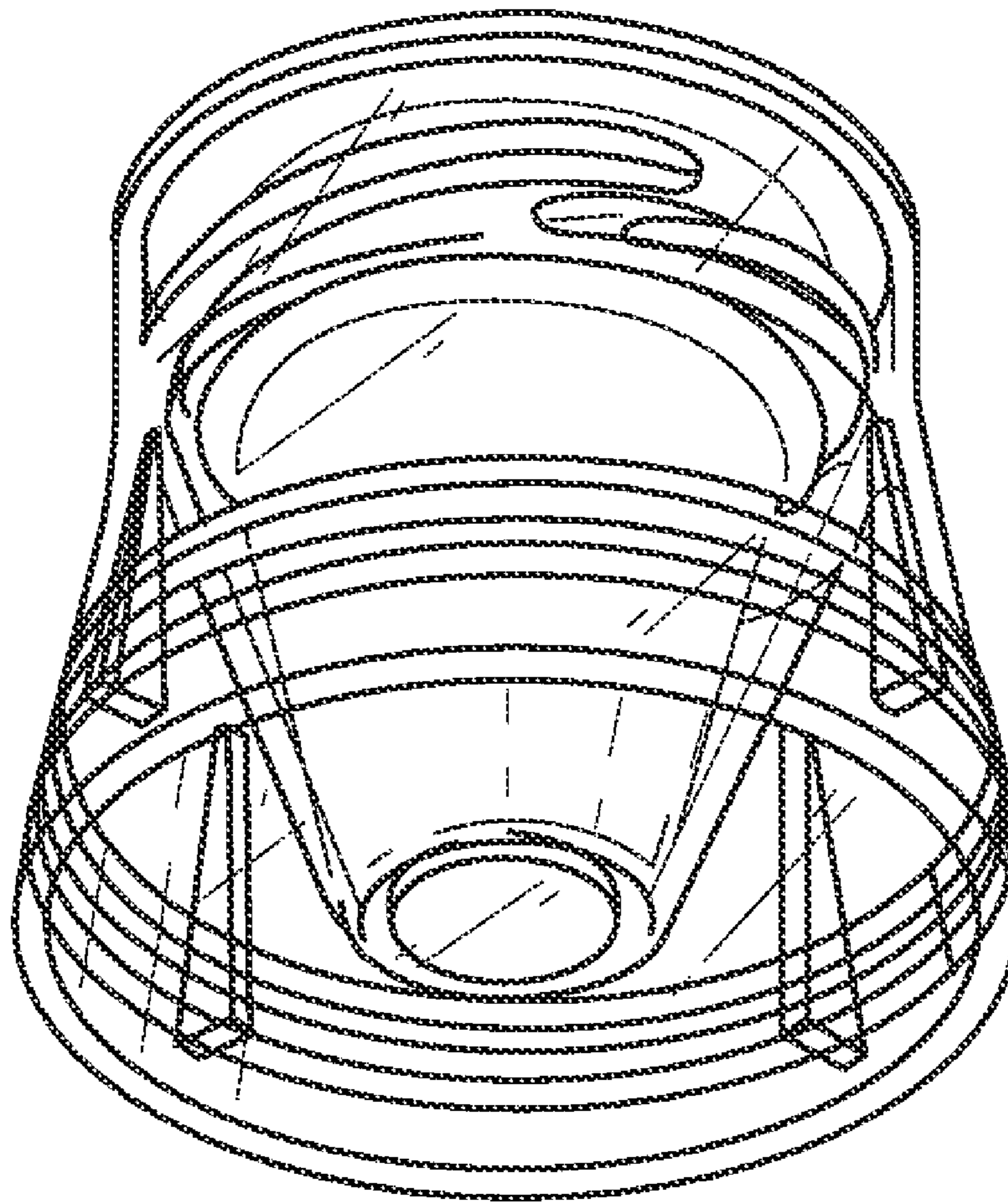
FIG. 1 is a perspective view from below;  
FIG. 2 is an elevational view;  
FIG. 3 is a plan view; and,  
FIG. 4 is an underneath plan view.

(56) **References Cited**

**U.S. PATENT DOCUMENTS**

D216,678 S \* 3/1970 Wilcox ..... D9/439

**1 Claim, 2 Drawing Sheets**



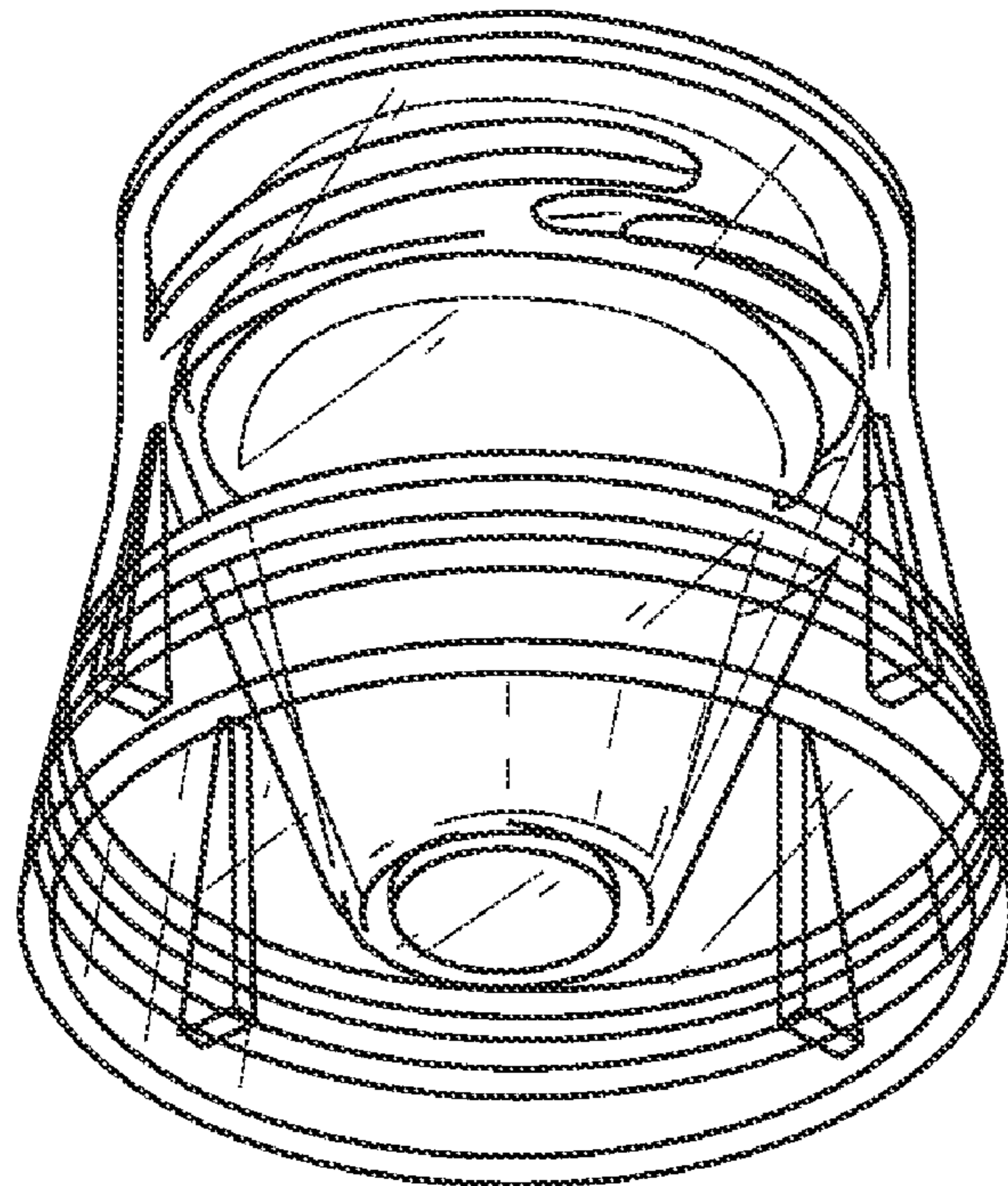


Fig. 1.

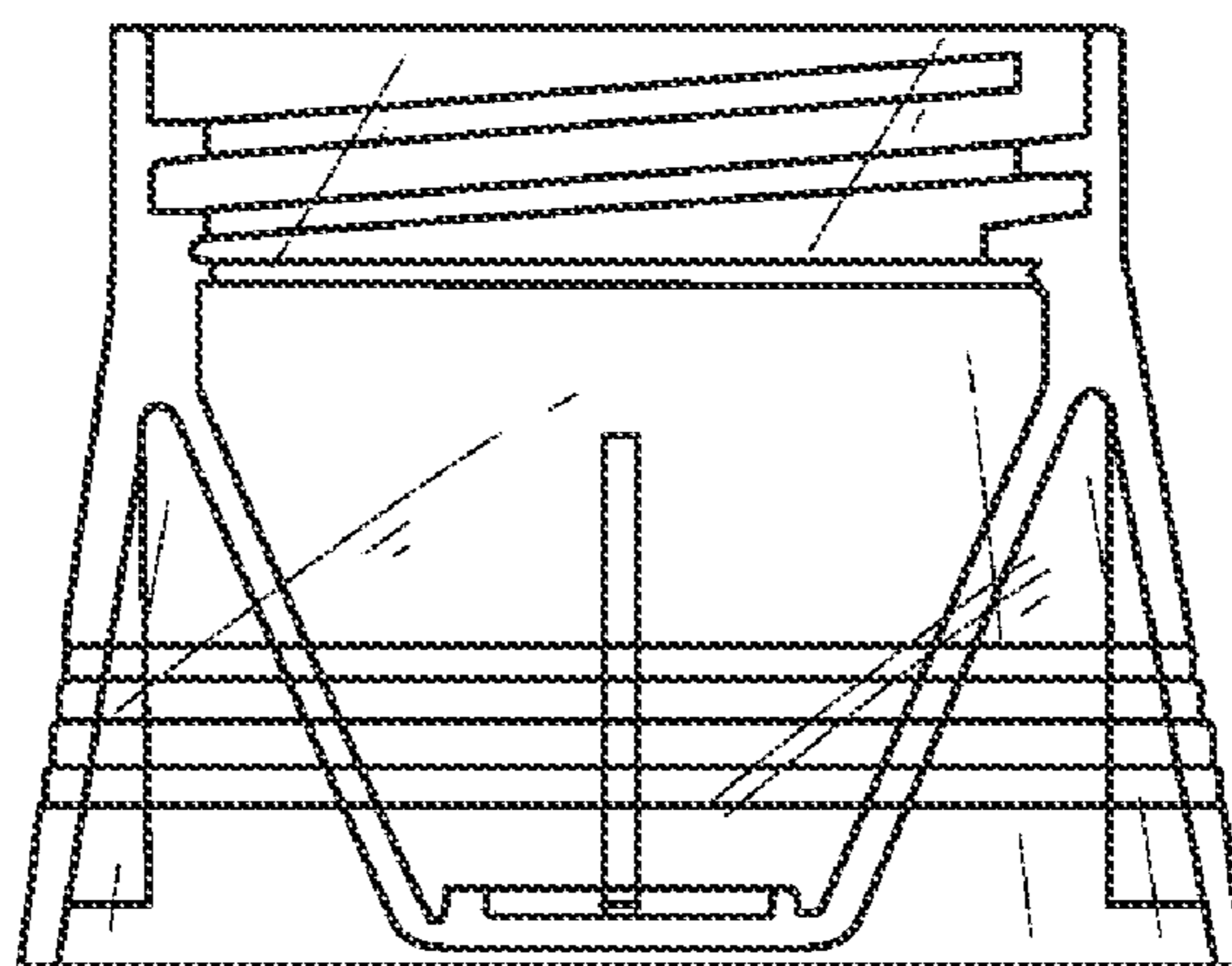


Fig. 2.

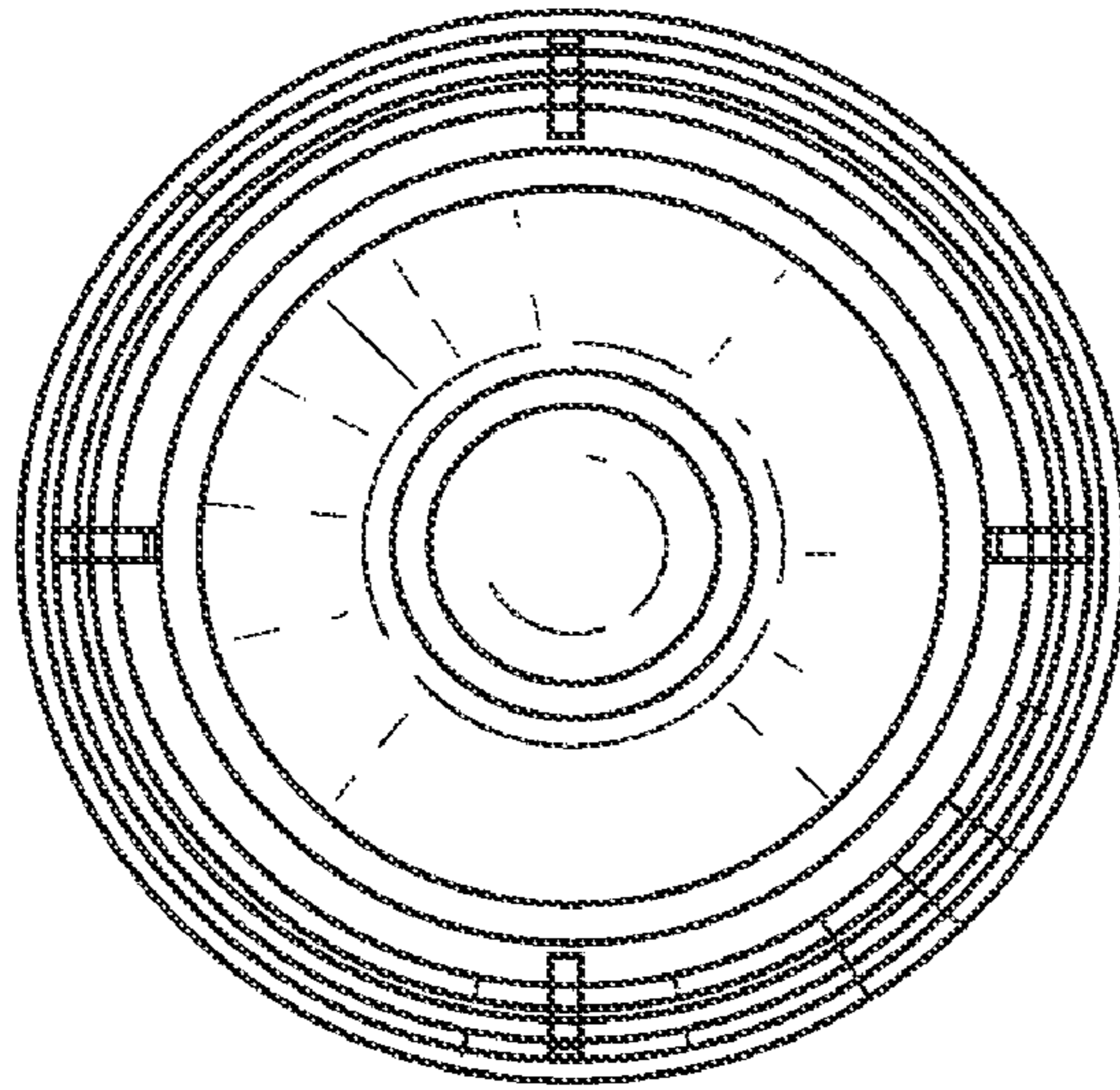


Fig.3.

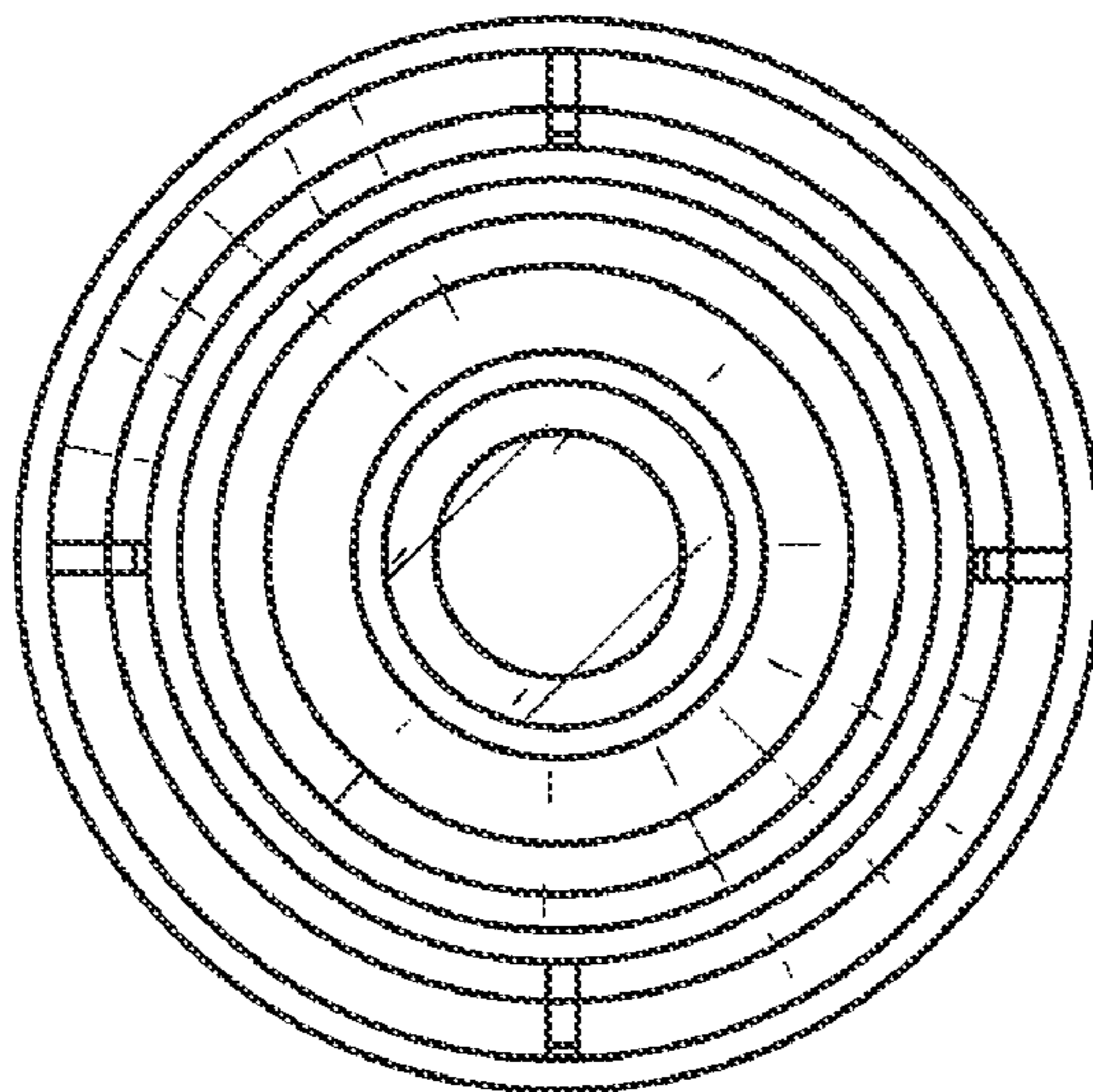


Fig.4.