



US00D552991S

(12) **United States Design Patent**
Lai

(10) **Patent No.:** **US D552,991 S**

(45) **Date of Patent:** **** Oct. 16, 2007**

(54) **LIQUID DISPENSER CAP**

(75) Inventor: **Pai-Hsien Lai**, Taipei County (TW)

(73) Assignee: **Lian Cheng Technology, Co., Ltd.**,
Hsinchu (TW)

(**) Term: **14 Years**

(21) Appl. No.: **29/240,780**

(22) Filed: **Oct. 19, 2005**

(51) **LOC (8) Cl.** **09-07**

(52) **U.S. Cl.** **D9/448**

(58) **Field of Classification Search** D9/503,
D9/454, 449, 448, 447, 444, 434; D6/542;
222/556-569, 505, 380, 321.7, 321.6, 518,
222/509; 215/222, 214; 251/339; 267/161
See application file for complete search history.

(56) **References Cited**

U.S. PATENT DOCUMENTS

- D339,527 S * 9/1993 Tobler D9/448
- D398,232 S * 9/1998 Bakic D9/440
- D414,696 S * 10/1999 Sayers D9/448
- D439,842 S * 4/2001 Garcia D9/448

- D489,613 S * 5/2004 Campbell et al. D9/447
- D489,615 S * 5/2004 Bakic D9/448
- D489,616 S * 5/2004 Bakic D9/448

* cited by examiner

Primary Examiner—Robert M. Spear
Assistant Examiner—Susan Bennett Hattan

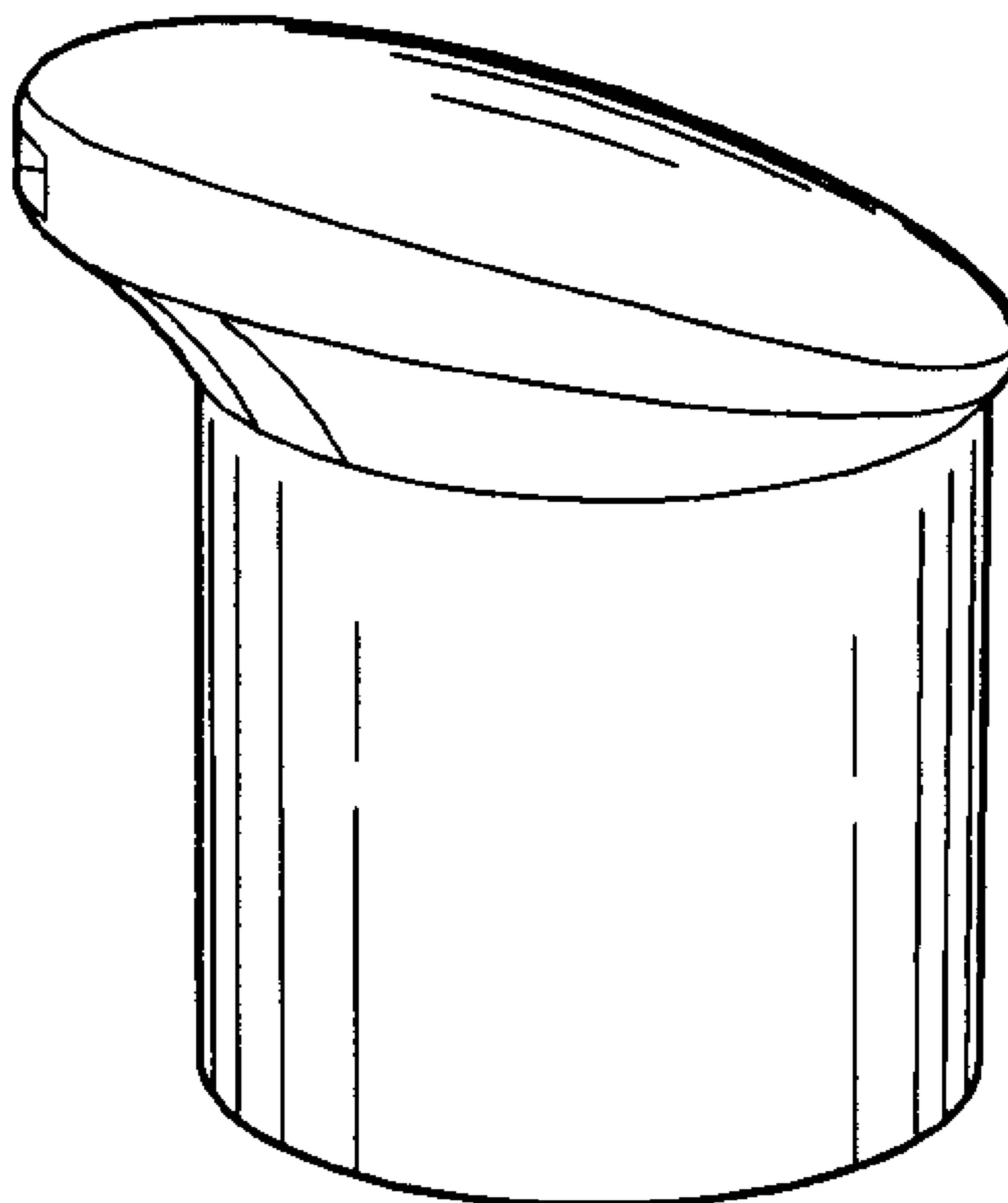
(57) **CLAIM**

The ornamental design for a liquid dispenser cap, as shown and described.

DESCRIPTION

FIG. 1 is a perspective view of a liquid dispenser cap;
FIG. 2 is a front view thereof;
FIG. 3 is a back view thereof;
FIG. 4 is a left side view thereof;
FIG. 5 is a right side view thereof;
FIG. 6 is a top view thereof;
FIG. 7 is a bottom view thereof, wherein the broken lines are shown for illustrative purposes only and form no part of the claimed design; and,
FIG. 8 is a perspective view thereof showing an example in use; wherein the broken lines are shown for illustrative purposes only and form no part of the claimed design.

1 Claim, 8 Drawing Sheets



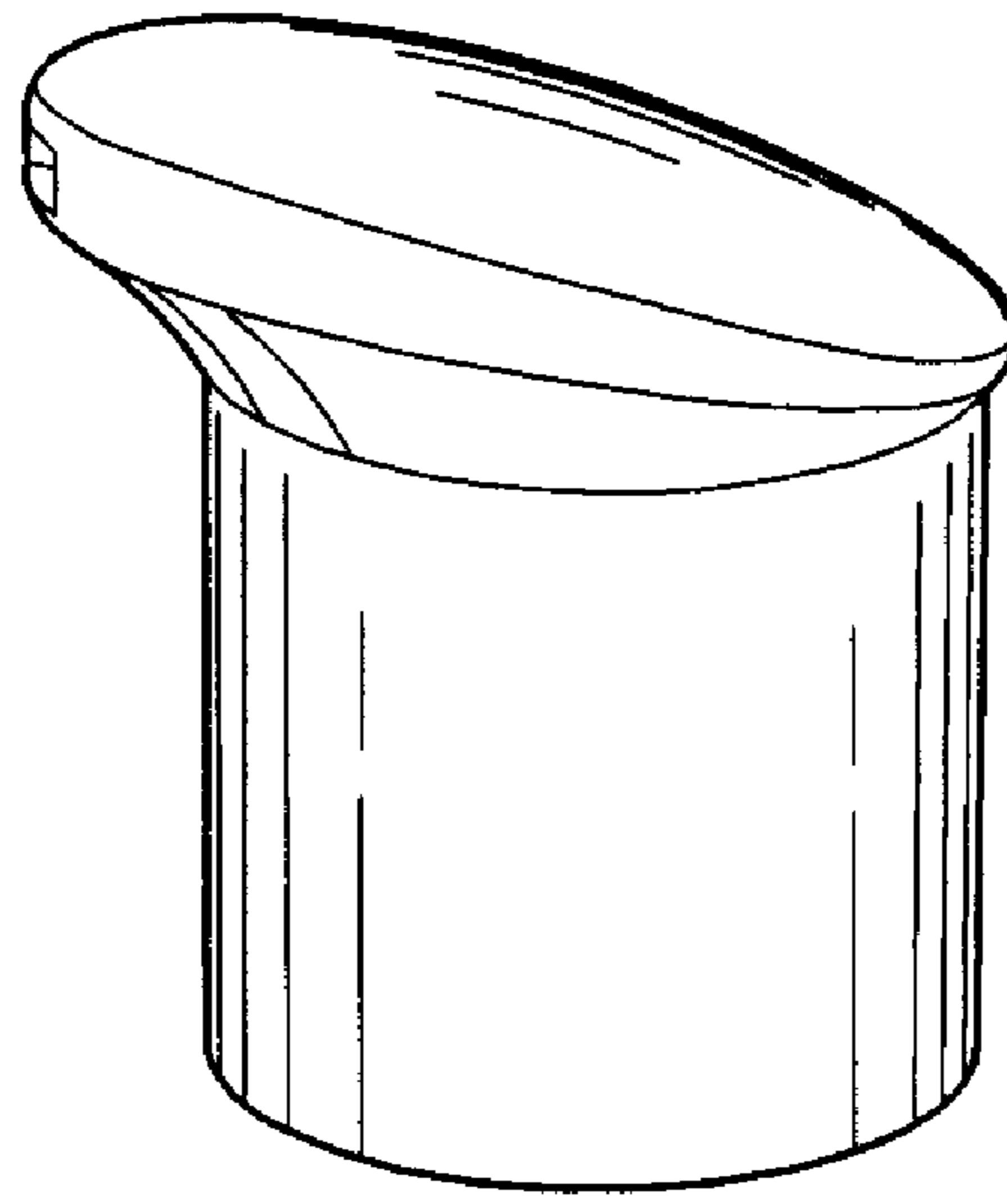


FIG. 1

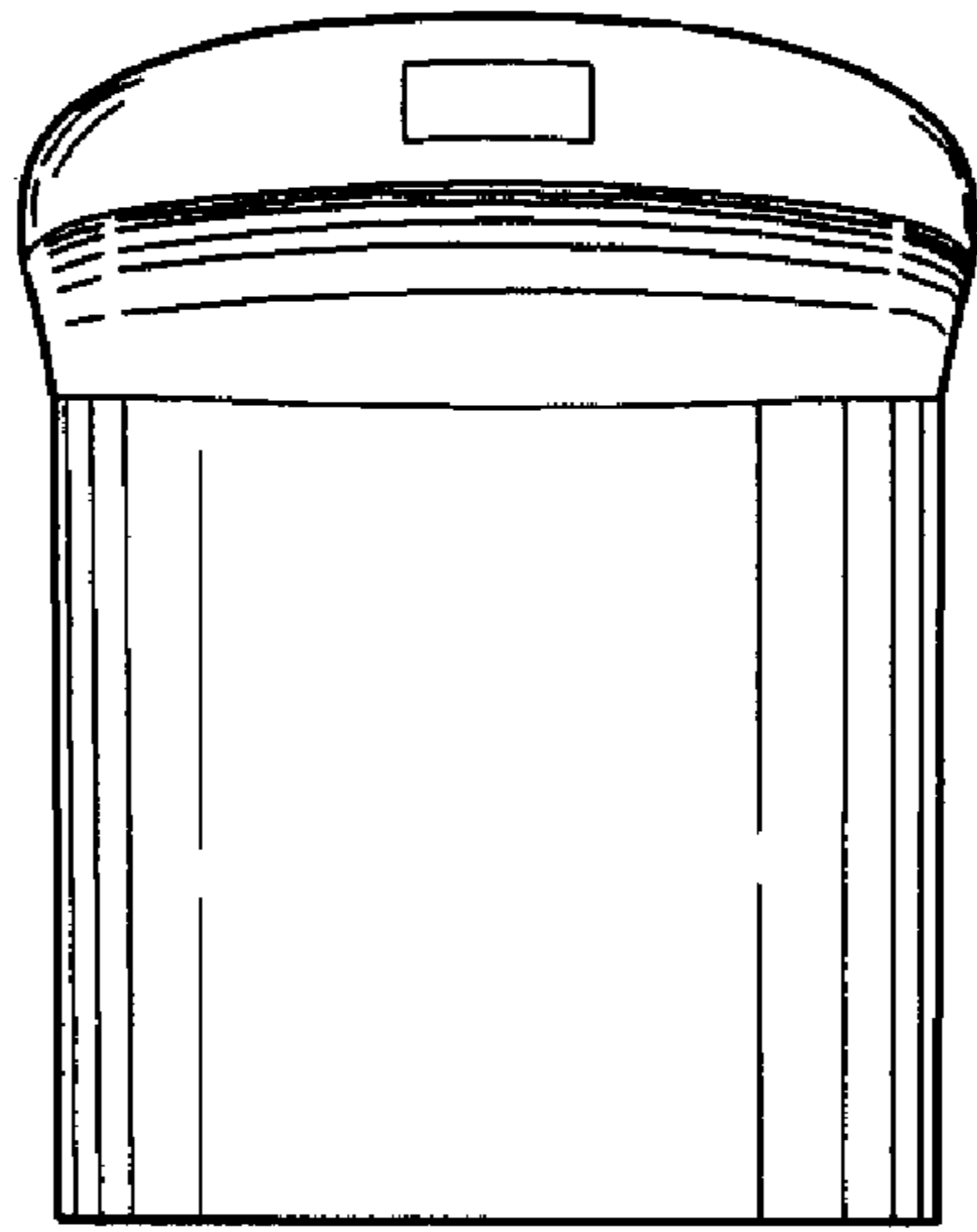


FIG. 2

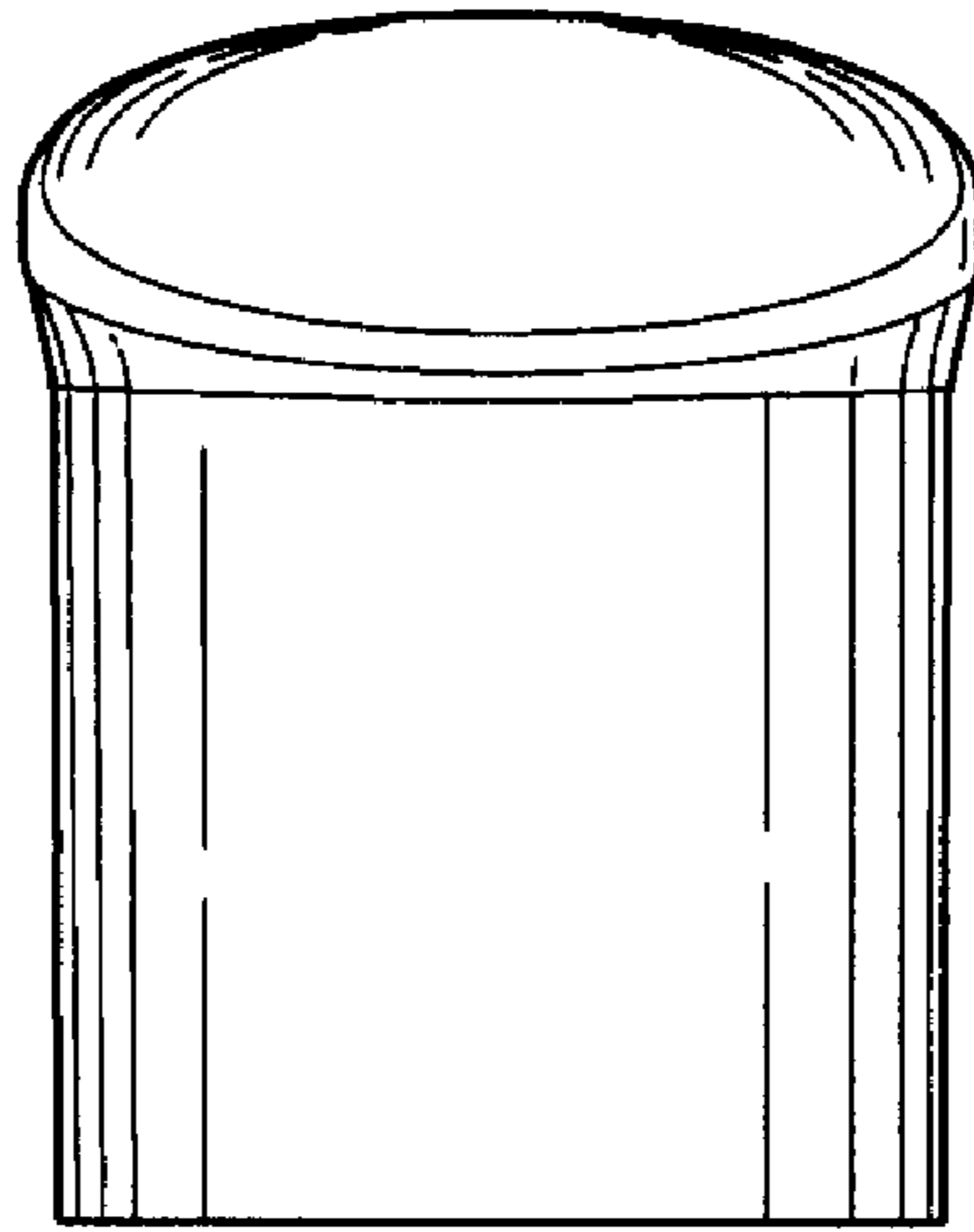


FIG. 3

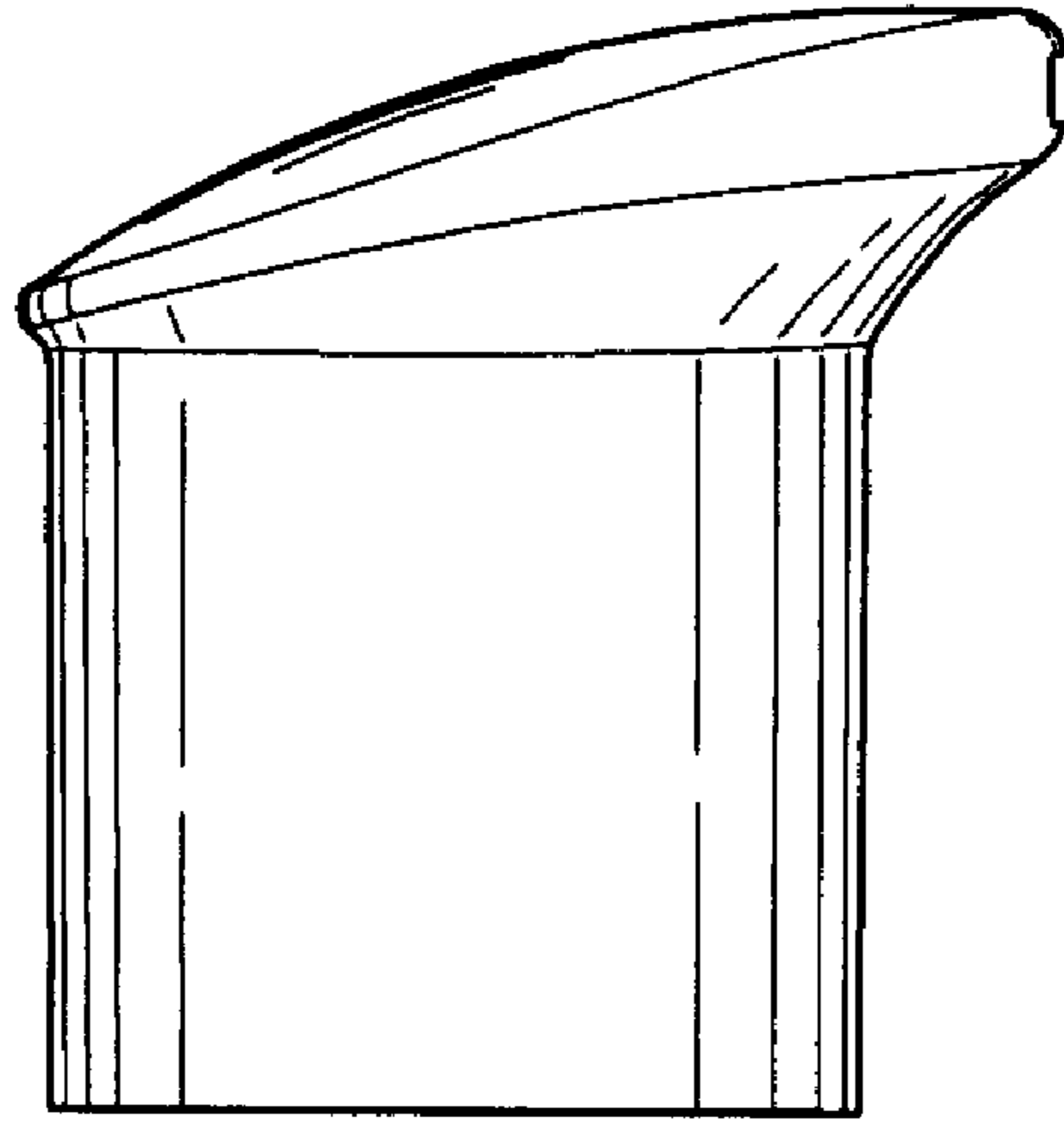


FIG. 4

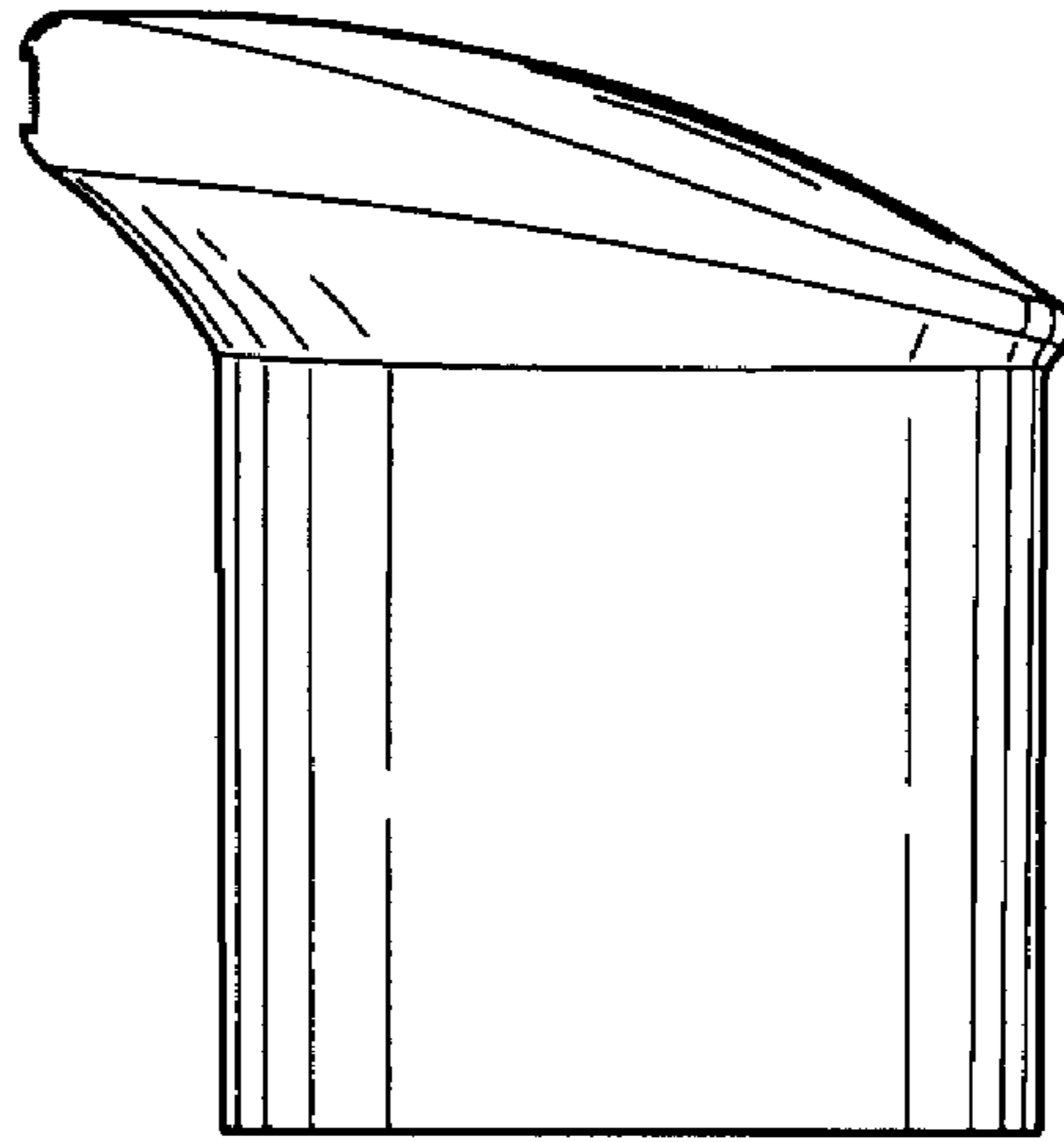


FIG. 5

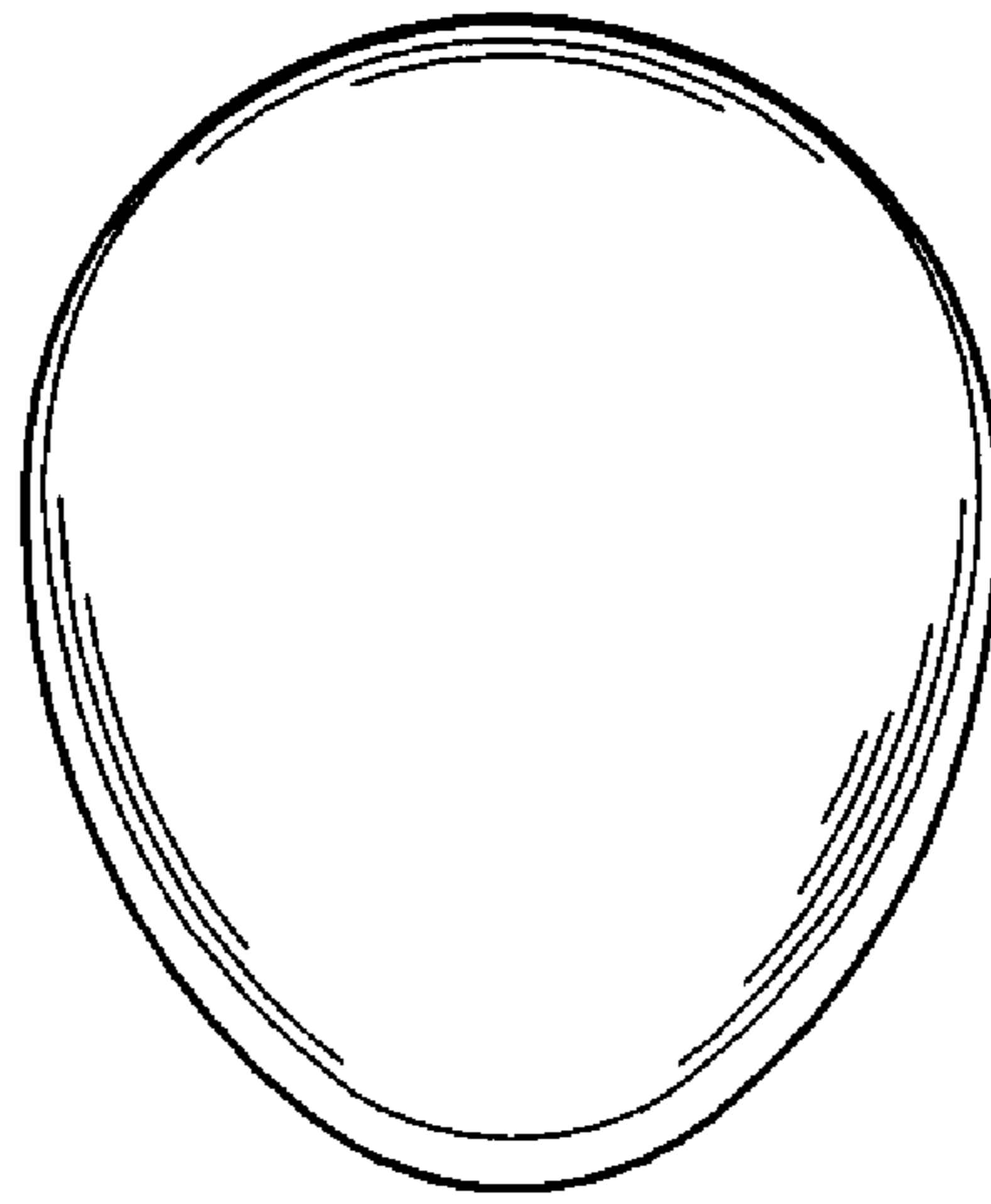


FIG. 6

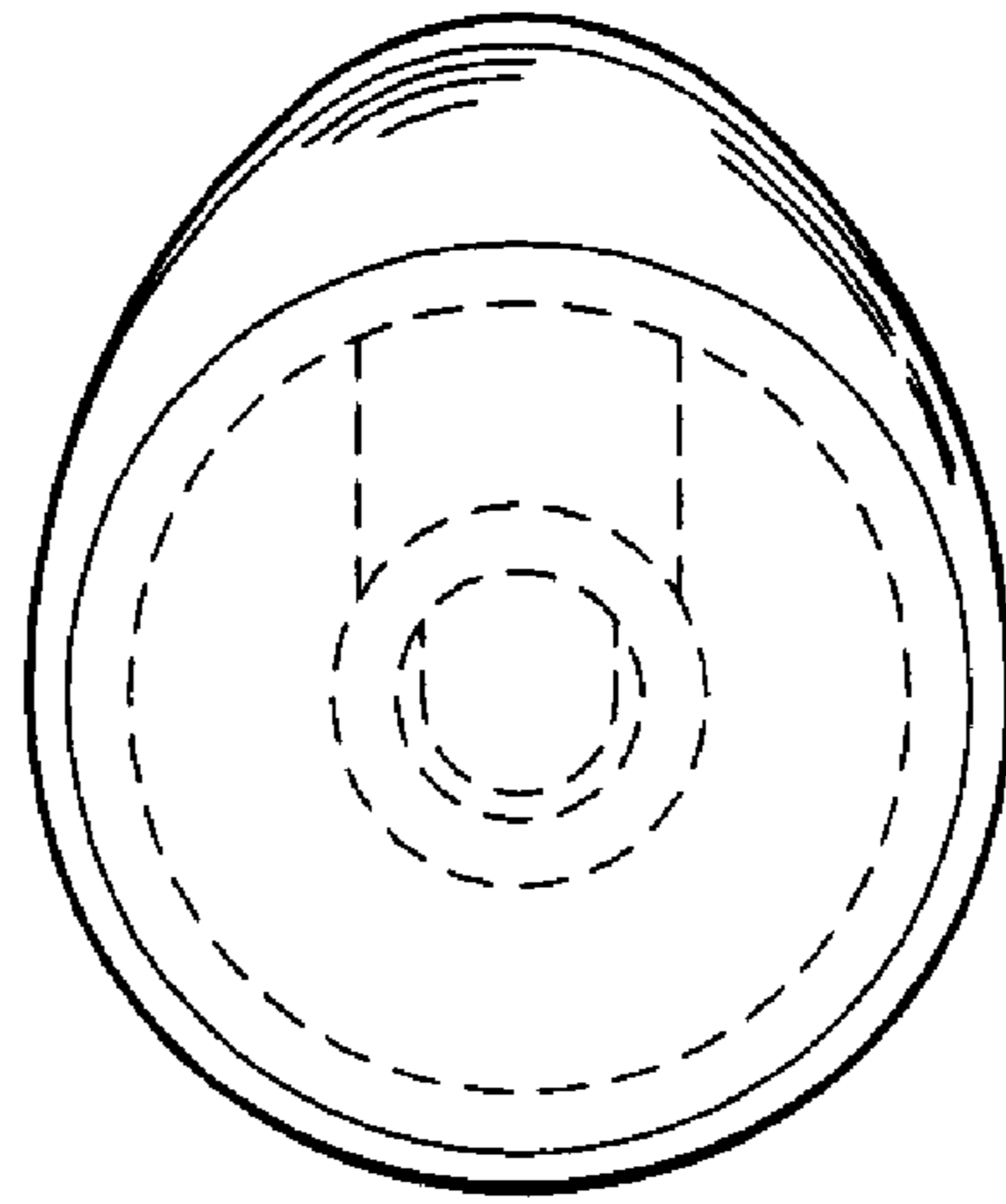


FIG. 7

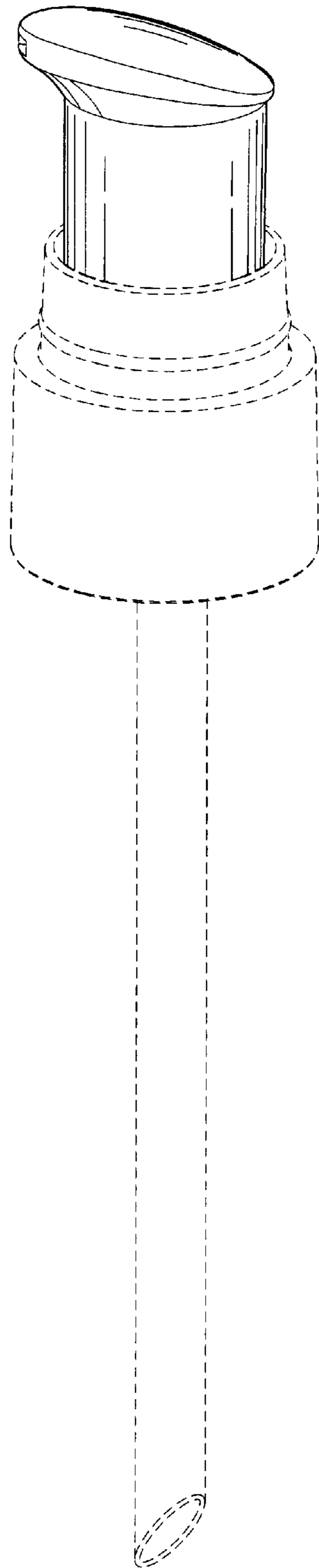


FIG.8