



US00D552990S

(12) **United States Design Patent** (10) **Patent No.:** **US D552,990 S**
Vogel (45) **Date of Patent:** **** Oct. 16, 2007**

(54) **CLOSURE FOR A CONTAINER**

(57) **CLAIM**

(75) Inventor: **William C. Vogel**, Mequon, WI (US)

We claim the ornamental design for a closure for a container, as shown and described.

(73) Assignee: **Gateway Plastics, Inc.**, Mequon, WI (US)

DESCRIPTION

(**) Term: **14 Years**

(21) Appl. No.: **29/269,983**

(22) Filed: **Dec. 12, 2006**

Related U.S. Application Data

(63) Continuation of application No. 29/217,727, filed on Nov. 20, 2004, now Pat. No. Des. 533,452.

(51) **LOC (8) Cl.** **09-07**

(52) **U.S. Cl.** **D9/435**

(58) **Field of Classification Search** D9/741,
D9/738, 454, 449, 447, 435, 421, 420; 222/556,
222/483, 147.2; 220/838, 826, 822, 810;
215/316, 200

See application file for complete search history.

(56) **References Cited**

U.S. PATENT DOCUMENTS

1,676,998	A *	7/1928	Mediati	215/316
4,723,693	A *	2/1988	DeCoster	222/483
RE37,634	E *	4/2002	Hickman et al.	220/826
6,691,901	B2 *	2/2004	Parve et al.	222/556
D509,426	S *	9/2005	Samz et al.	D9/447
D513,452	S *	1/2006	Parve	D9/447
2004/0089678	A1 *	5/2004	Martin	222/556
2006/0151512	A1 *	7/2006	Van Heugten et al.	220/826

* cited by examiner

Primary Examiner—Robert M. Spear

Assistant Examiner—Susan Bennett Hattan

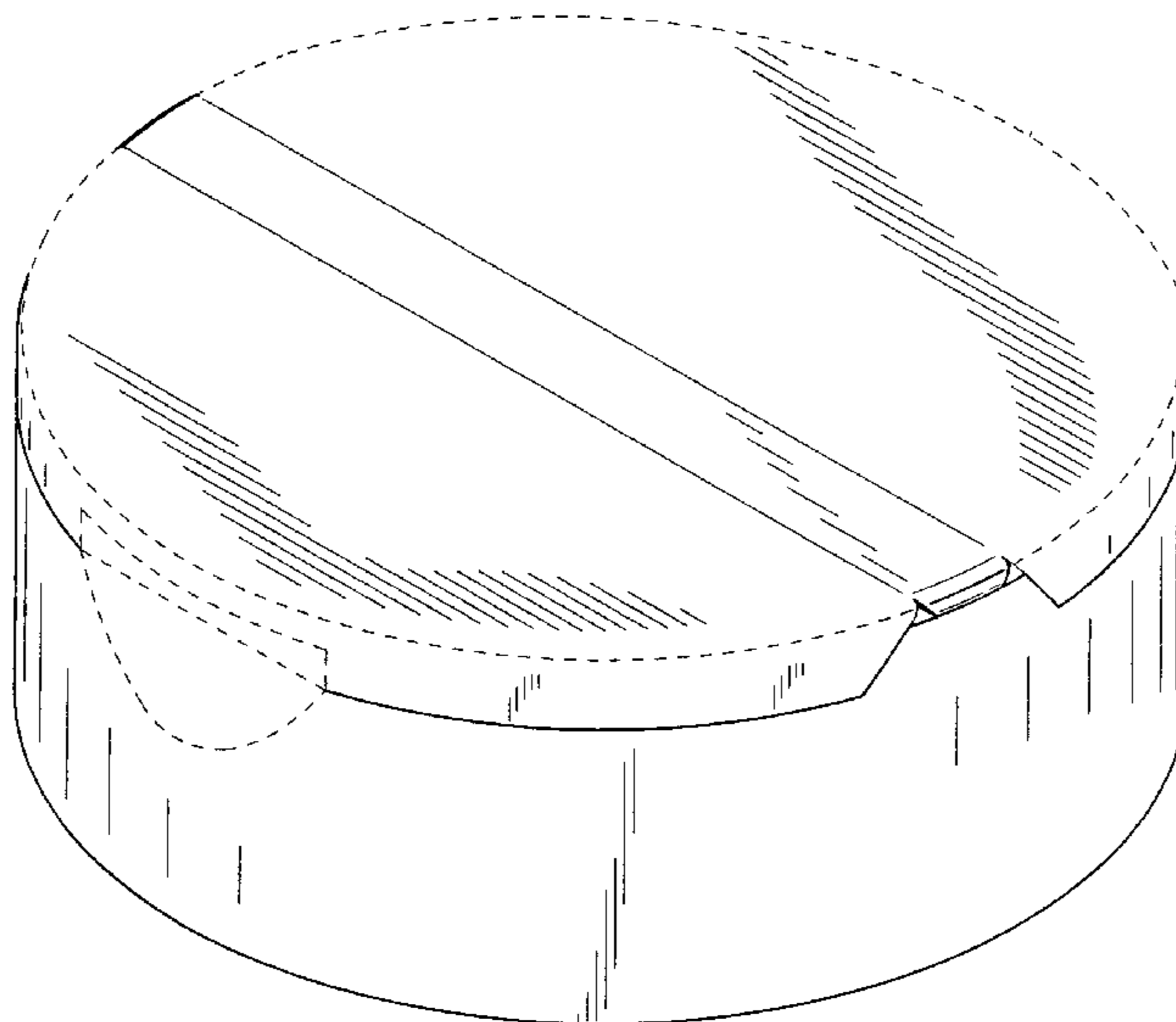
(74) *Attorney, Agent, or Firm*—Foley & Lardner LLP

FIG. 1 is a top perspective view of a closure for a container; FIG. 2 is a top perspective view of the design of FIG. 1; FIG. 3 is a bottom perspective view of the design of FIG. 1; FIG. 4 is a bottom perspective view of the design of FIG. 1; FIG. 5 is a top view of the design of FIG. 1; FIG. 6 is a bottom view of the design of FIG. 1; FIG. 7 is a right side view of the design of FIG. 1, the left side view being a mirror image; FIG. 8 is a front view of the design of FIG. 1; FIG. 9 is a rear view of the design of FIG. 1; FIG. 10 is a top perspective view of the design of FIG. 1 illustrating the flaps in an open position; FIG. 11 is a top perspective view of the design of FIG. 1 illustrating the flaps in an open position; FIG. 12 is a left side view of the design of FIG. 1 illustrating the flaps in an open position; FIG. 13 is a right side view of the design of FIG. 1 illustrating the flaps in an open position; FIG. 14 is a bottom view of the design of FIG. 1 illustrating the flaps in an open position; and, FIG. 15 is a top view of the design of FIG. 1 illustrating the flaps in an open position.

The broken lines in the drawings are for illustrative purposes only and form no part of the claimed design.

The broken lines on the exterior perimeter edge of the closure indicate that the edge is unclaimed.

1 Claim, 12 Drawing Sheets



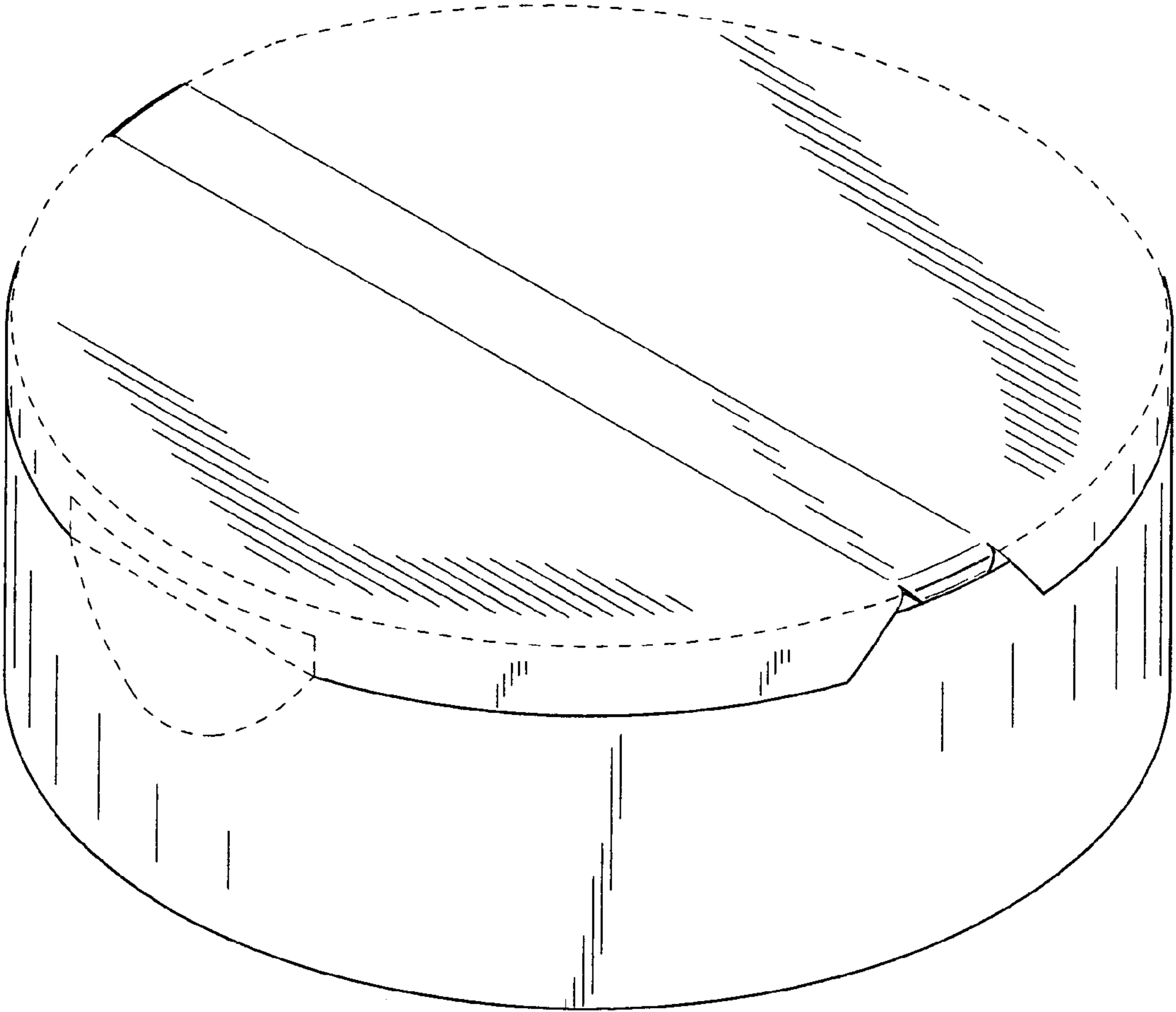


FIGURE 1

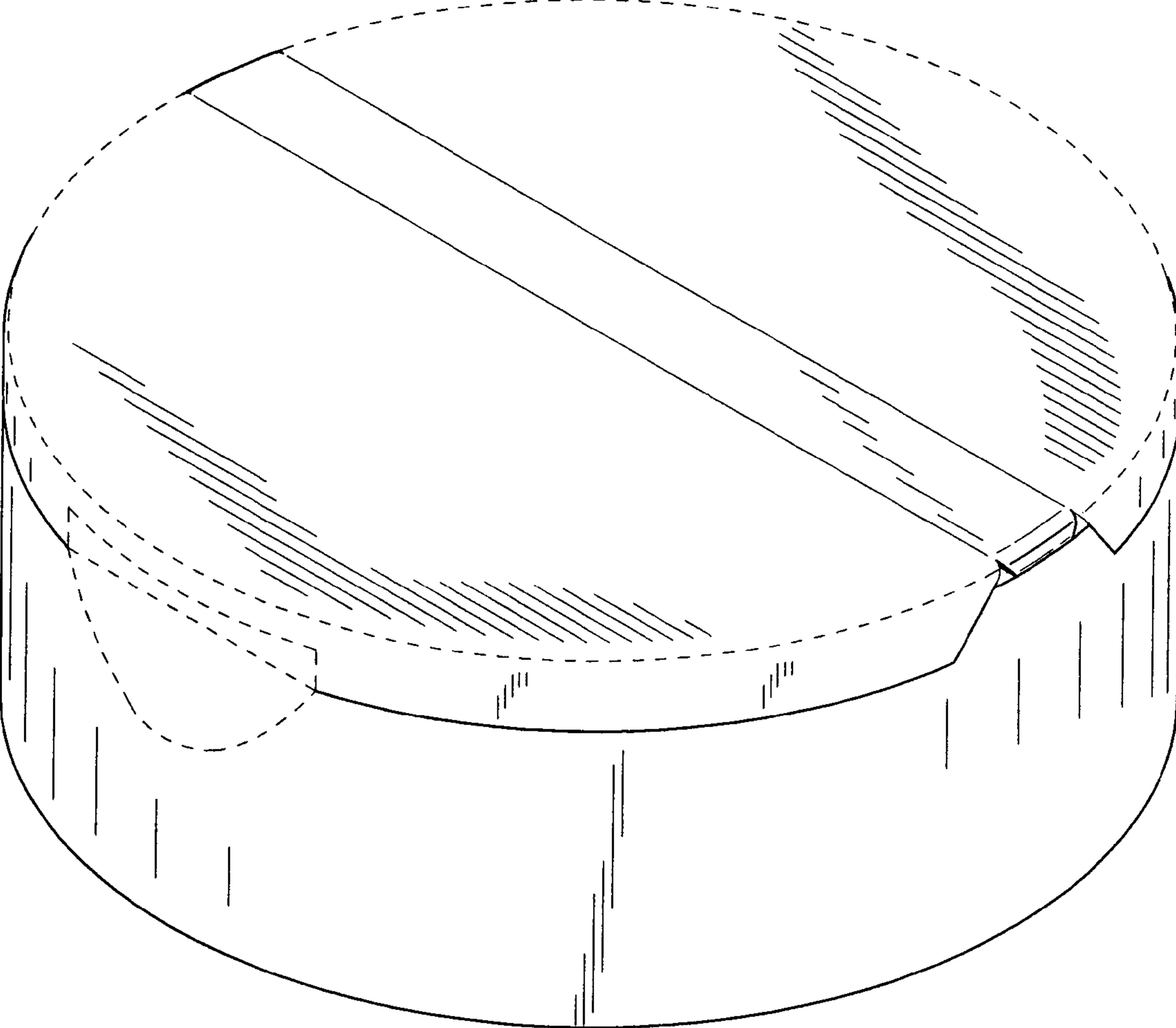


FIGURE 2

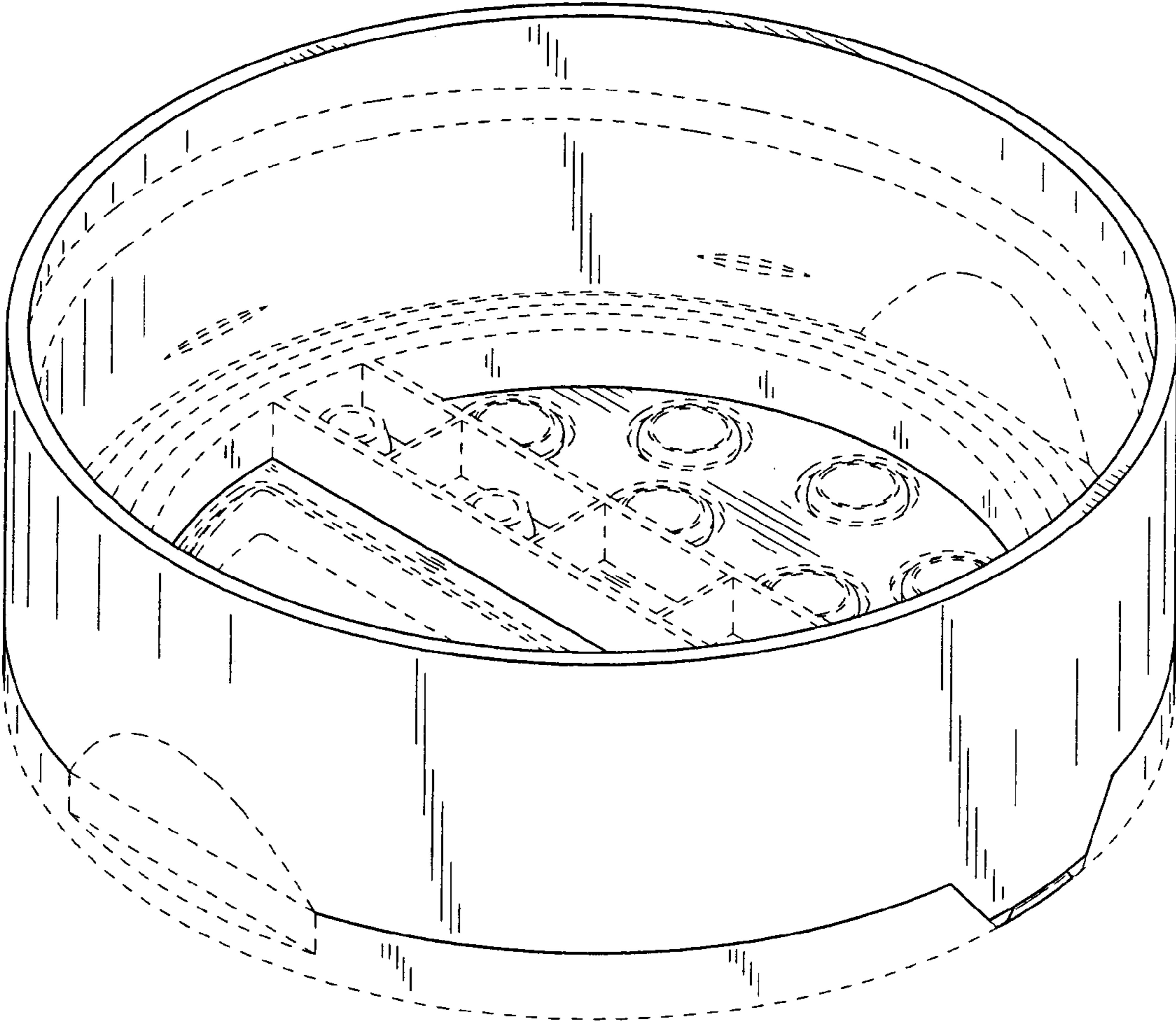


FIGURE 3

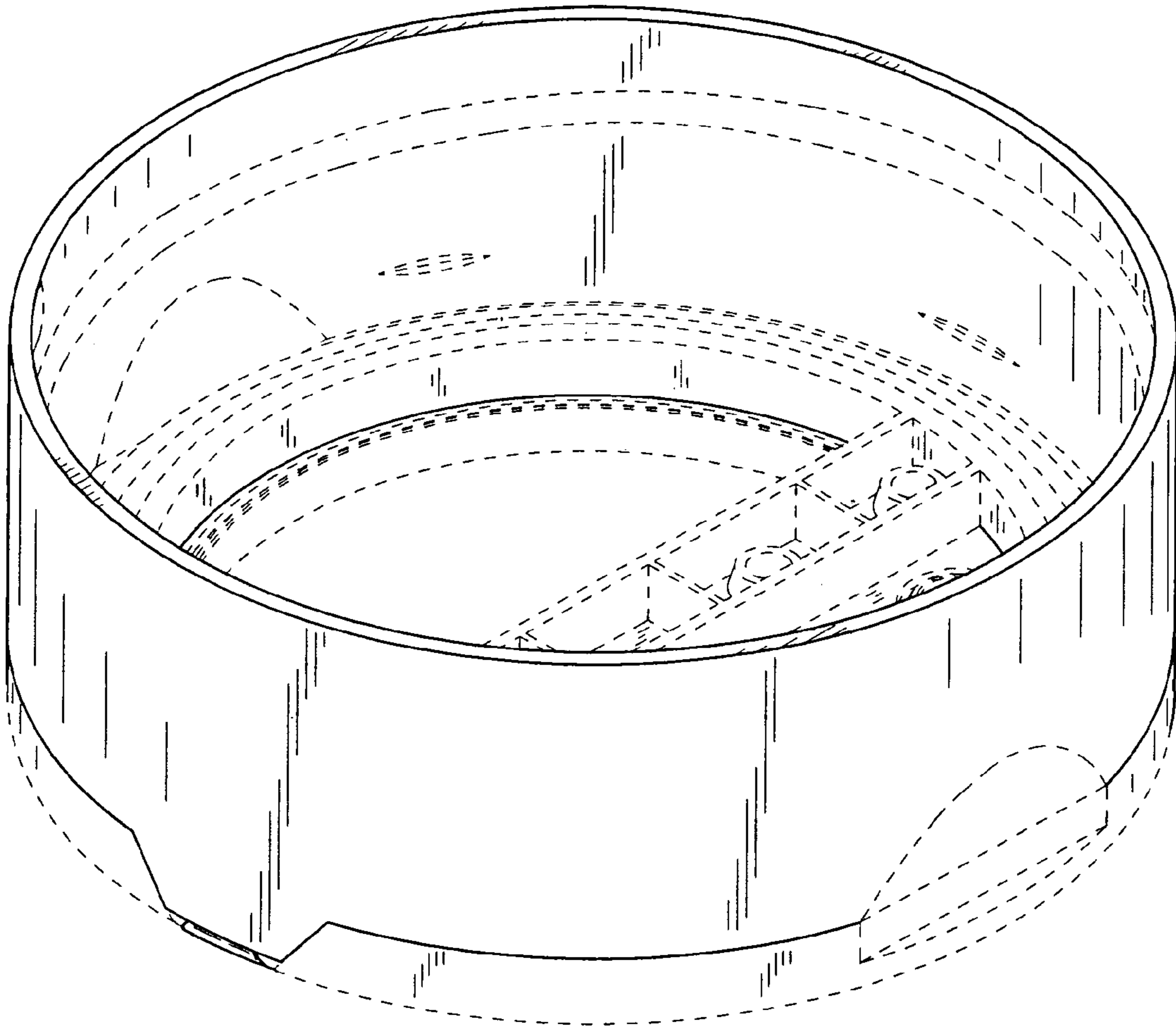


FIGURE 4

FIGURE 5

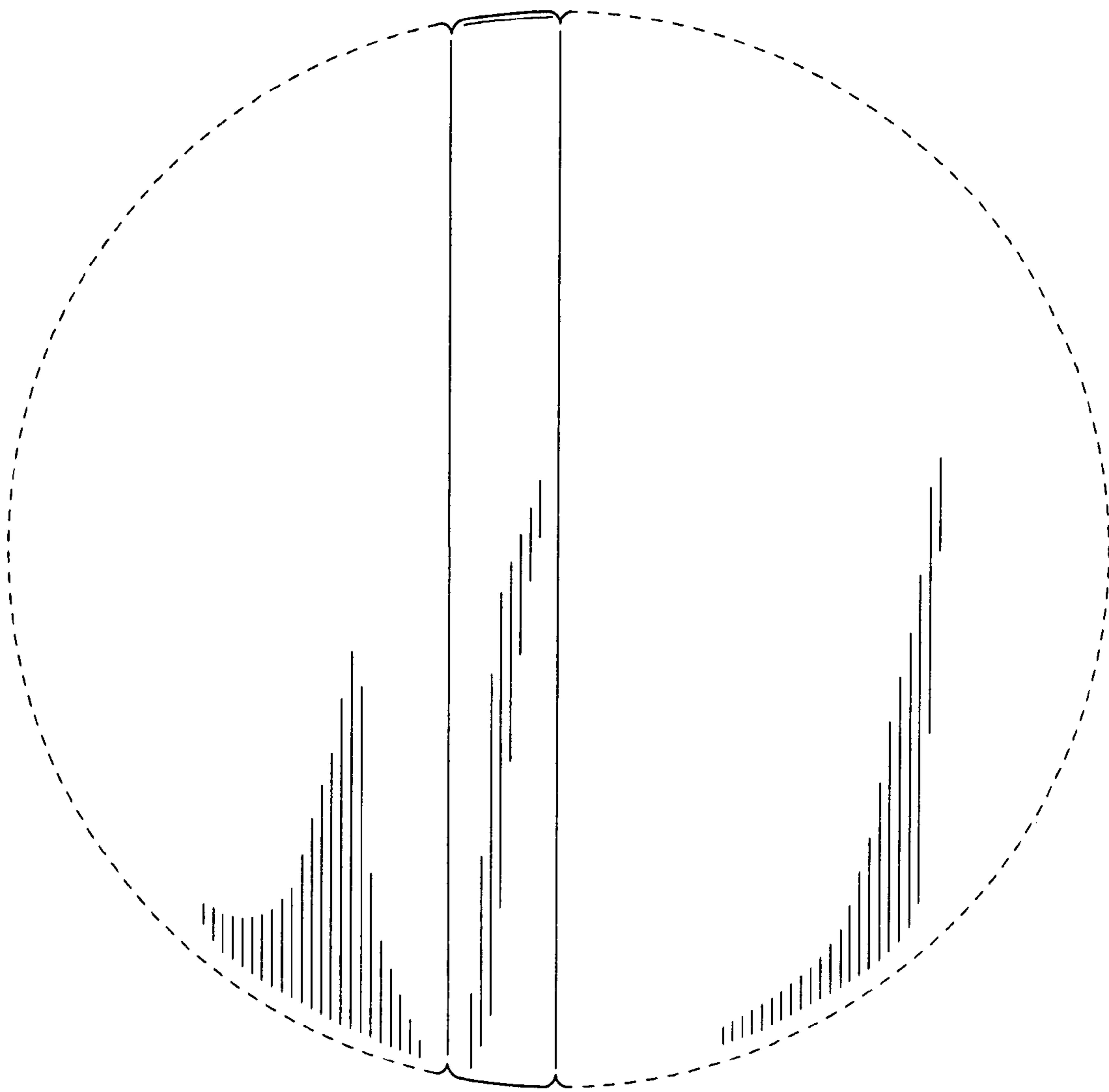


FIGURE 6

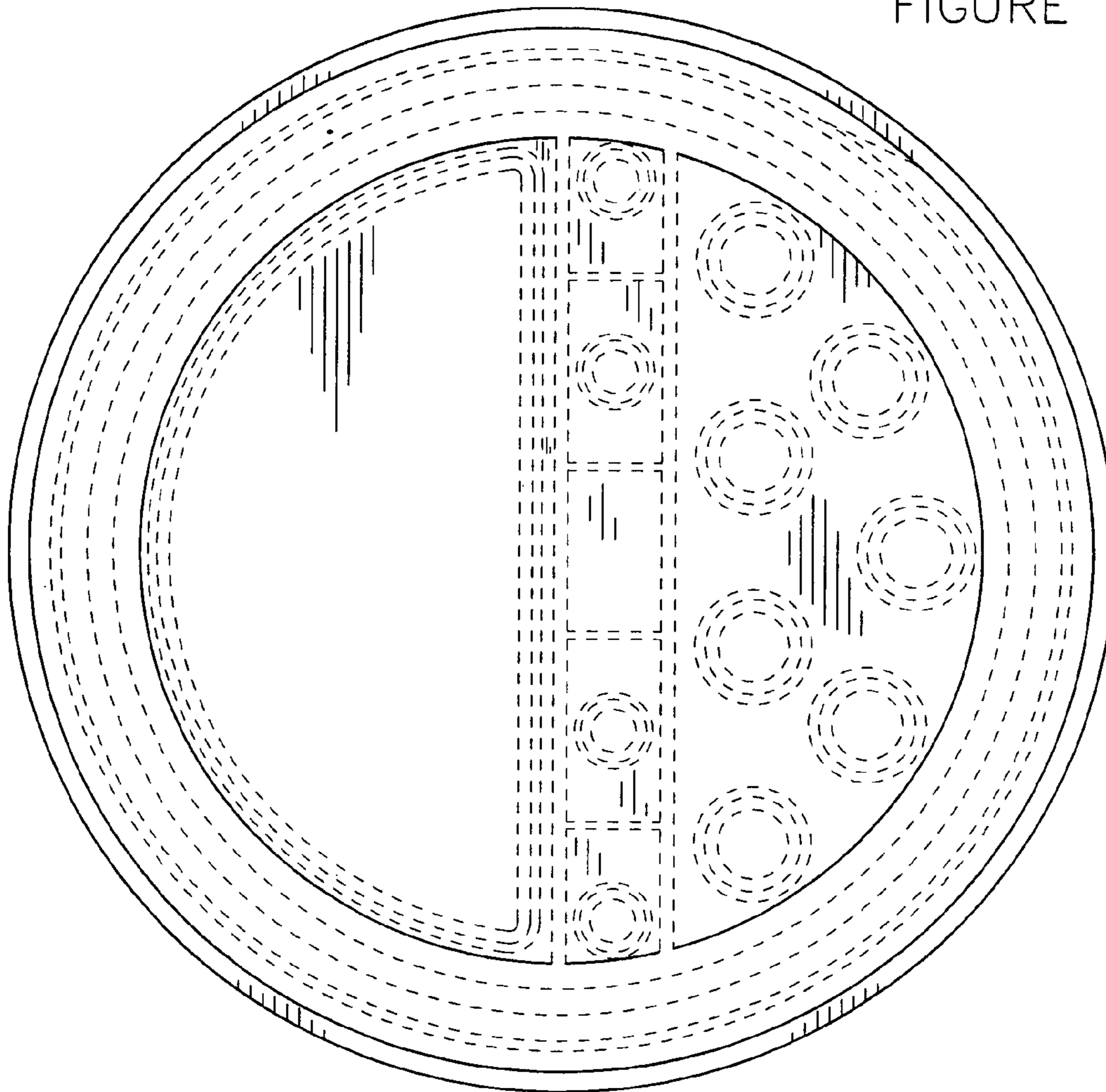


FIGURE 7

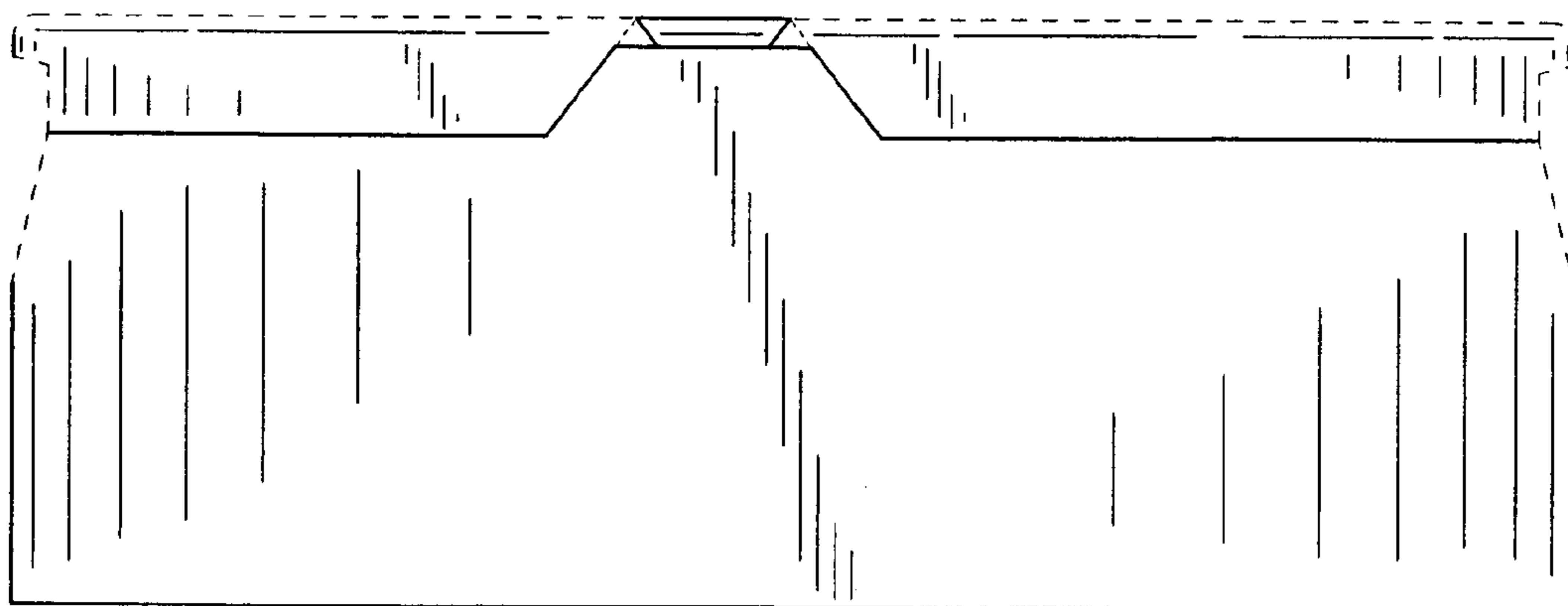


FIGURE 8

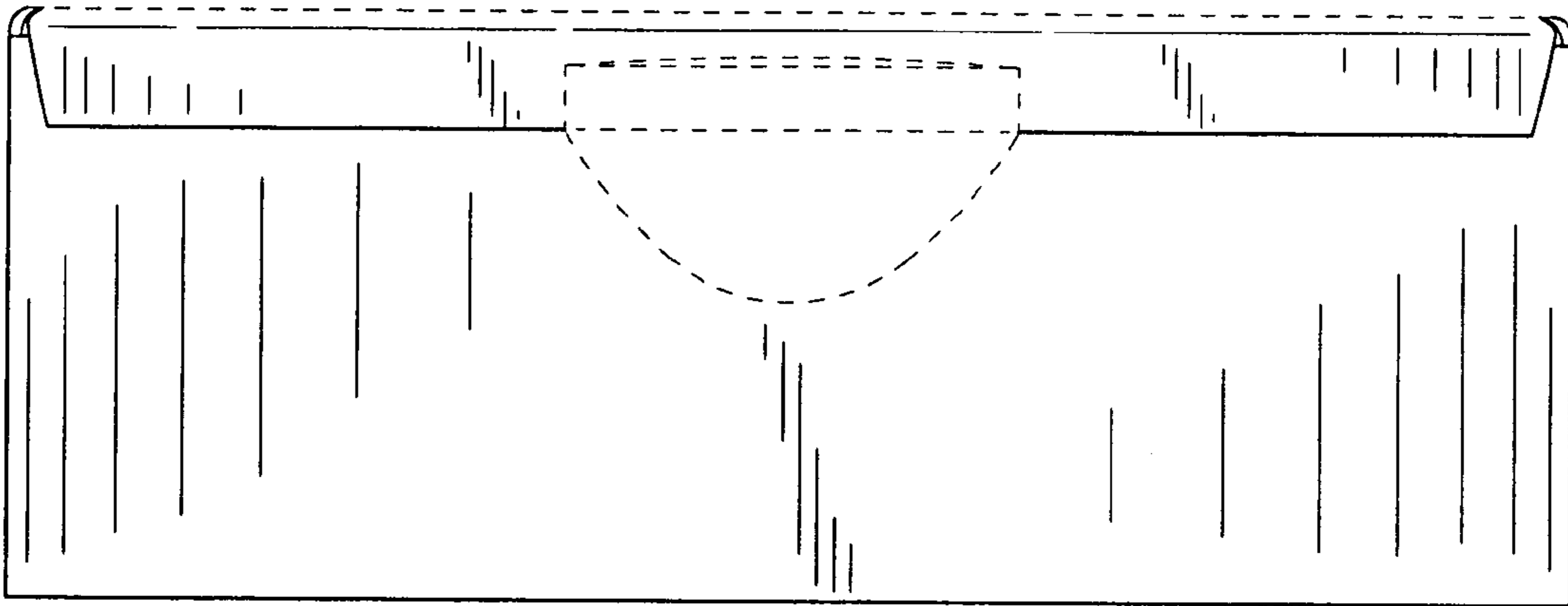
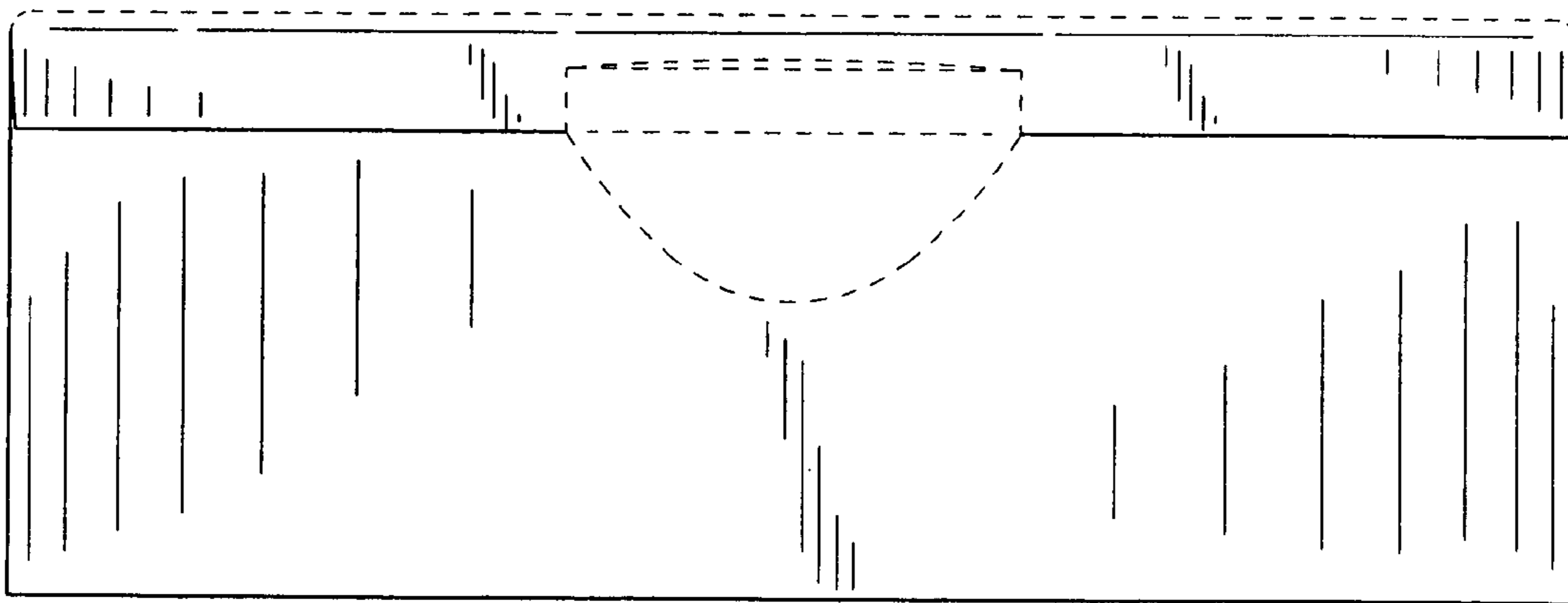


FIGURE 9



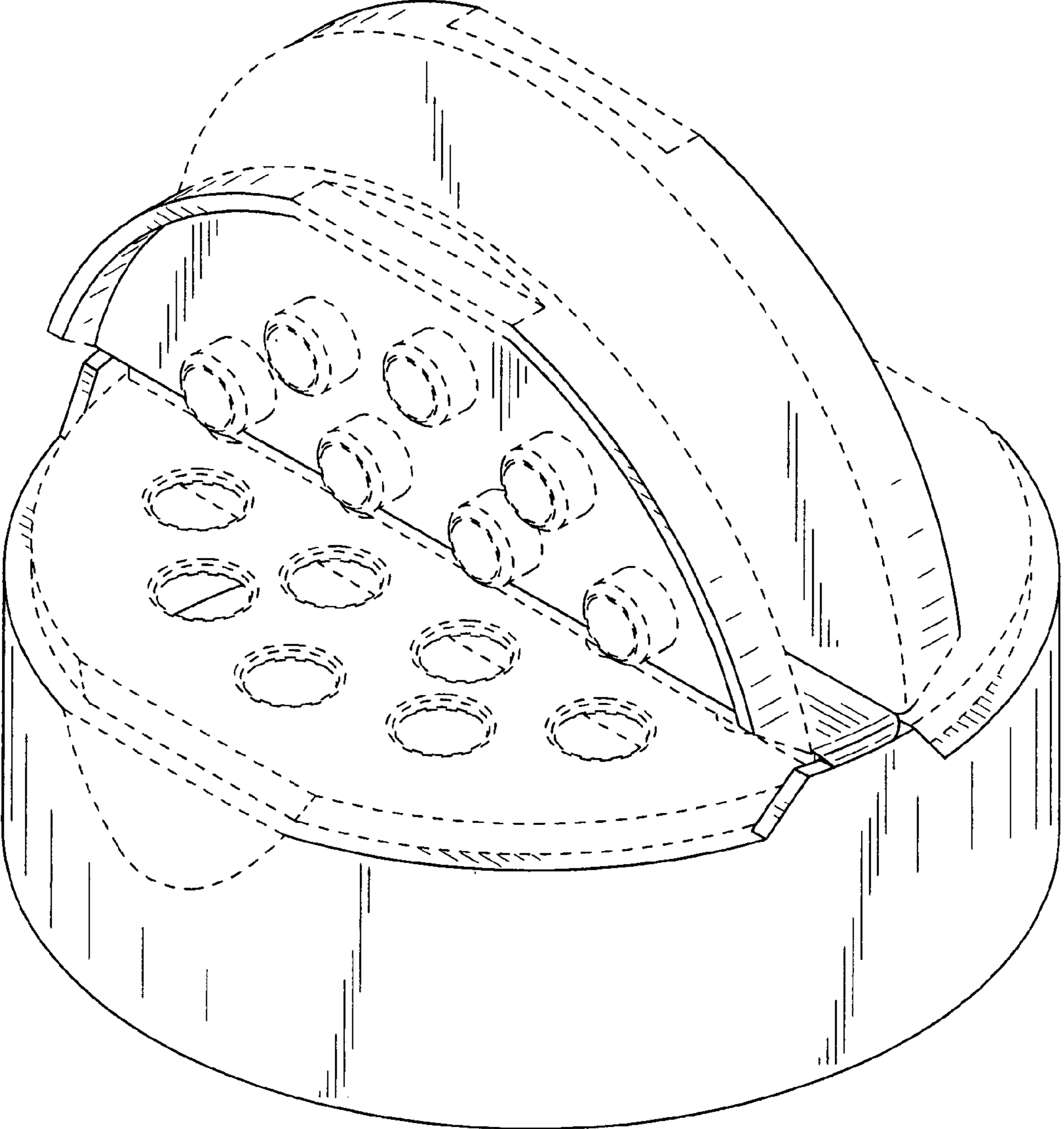


FIGURE 10

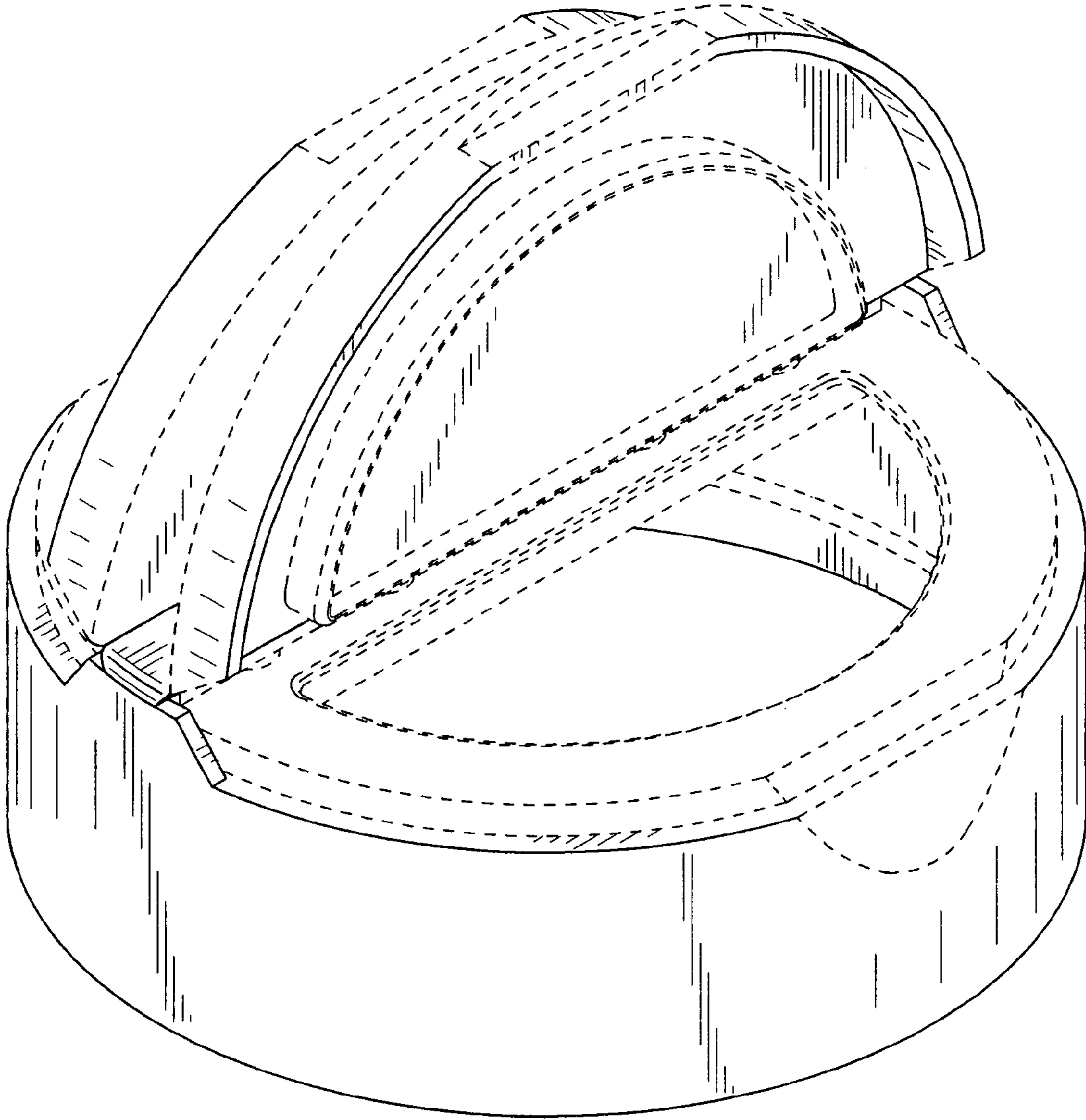


FIGURE 11

FIGURE 12

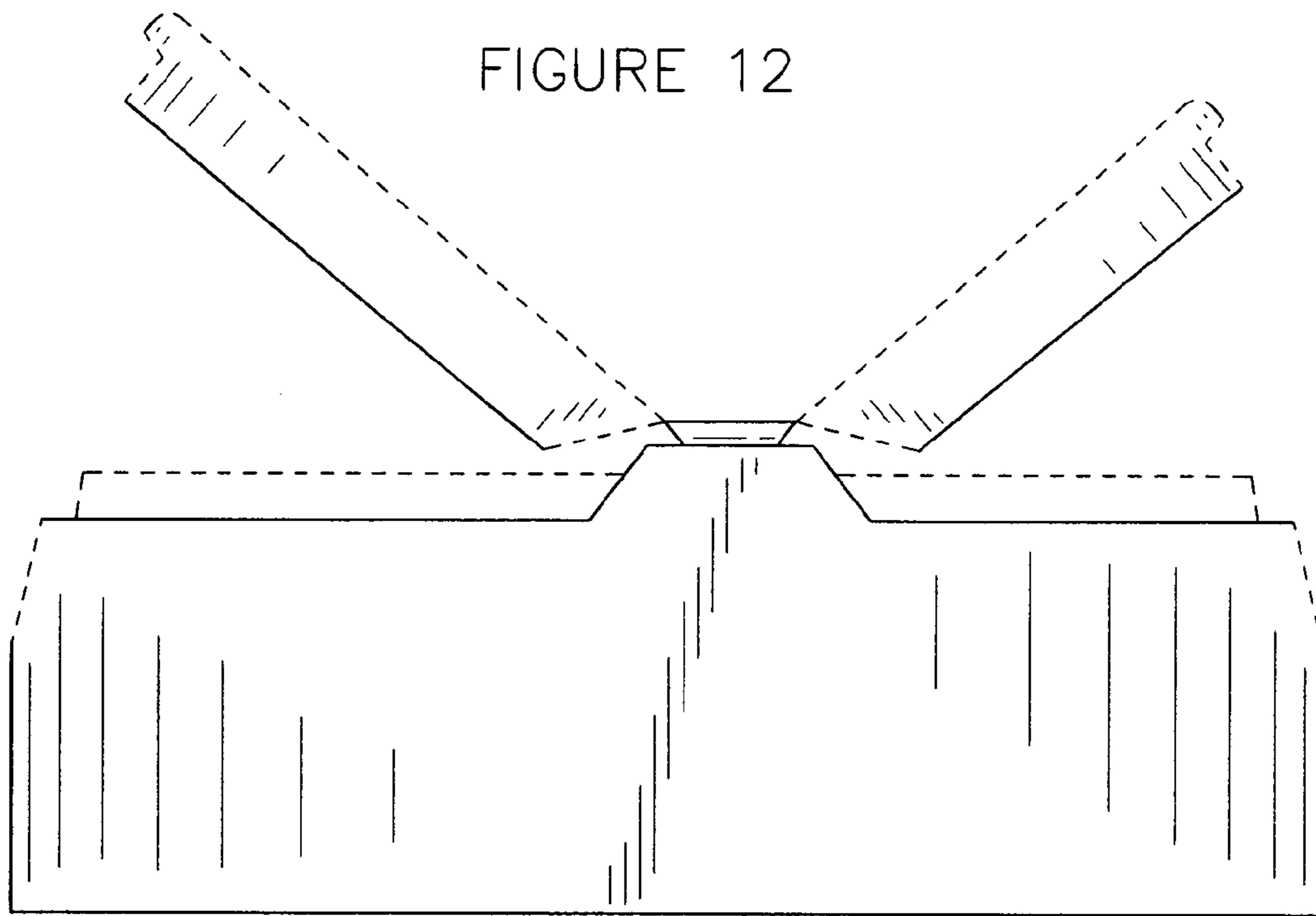


FIGURE 13

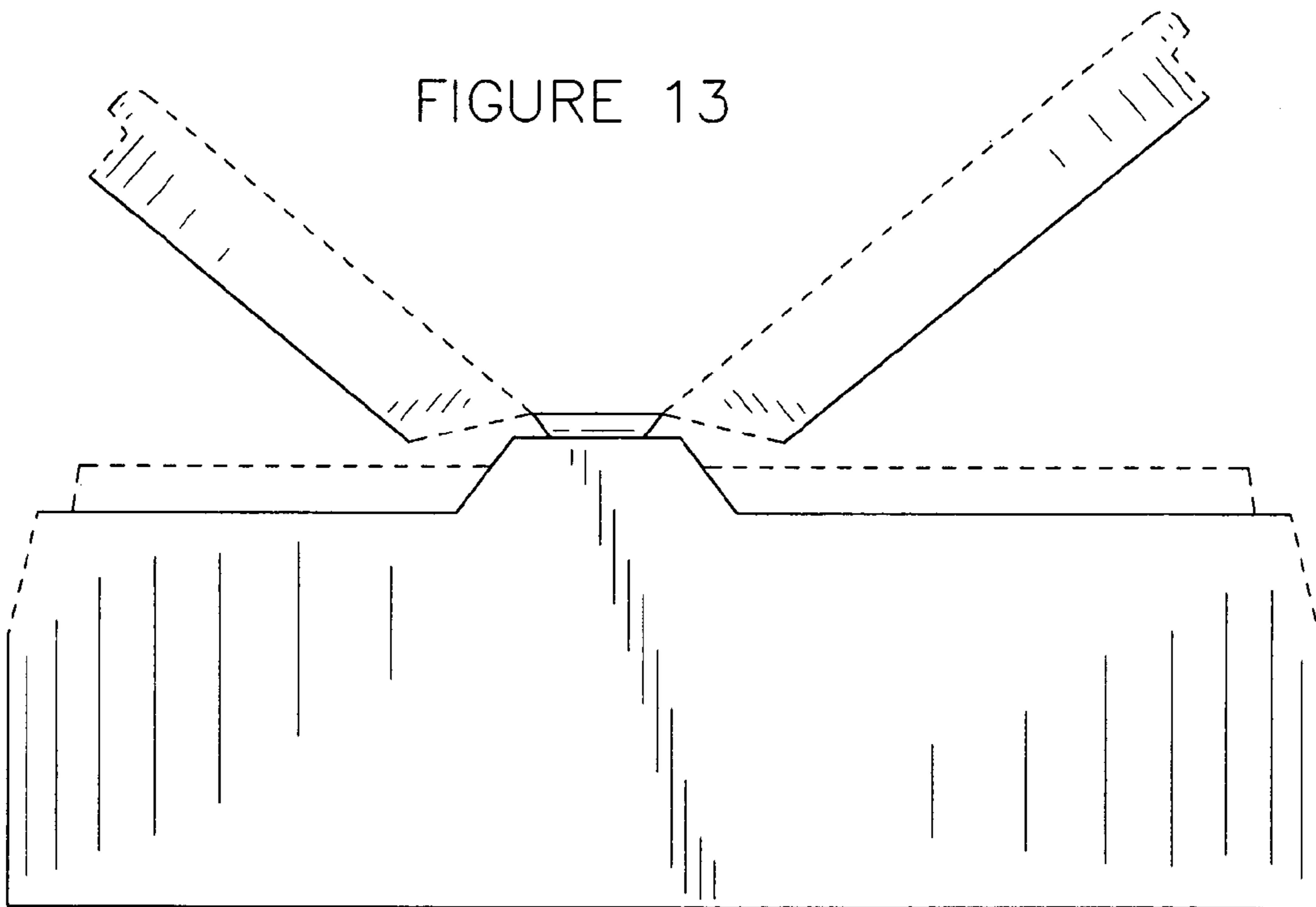


FIGURE 14

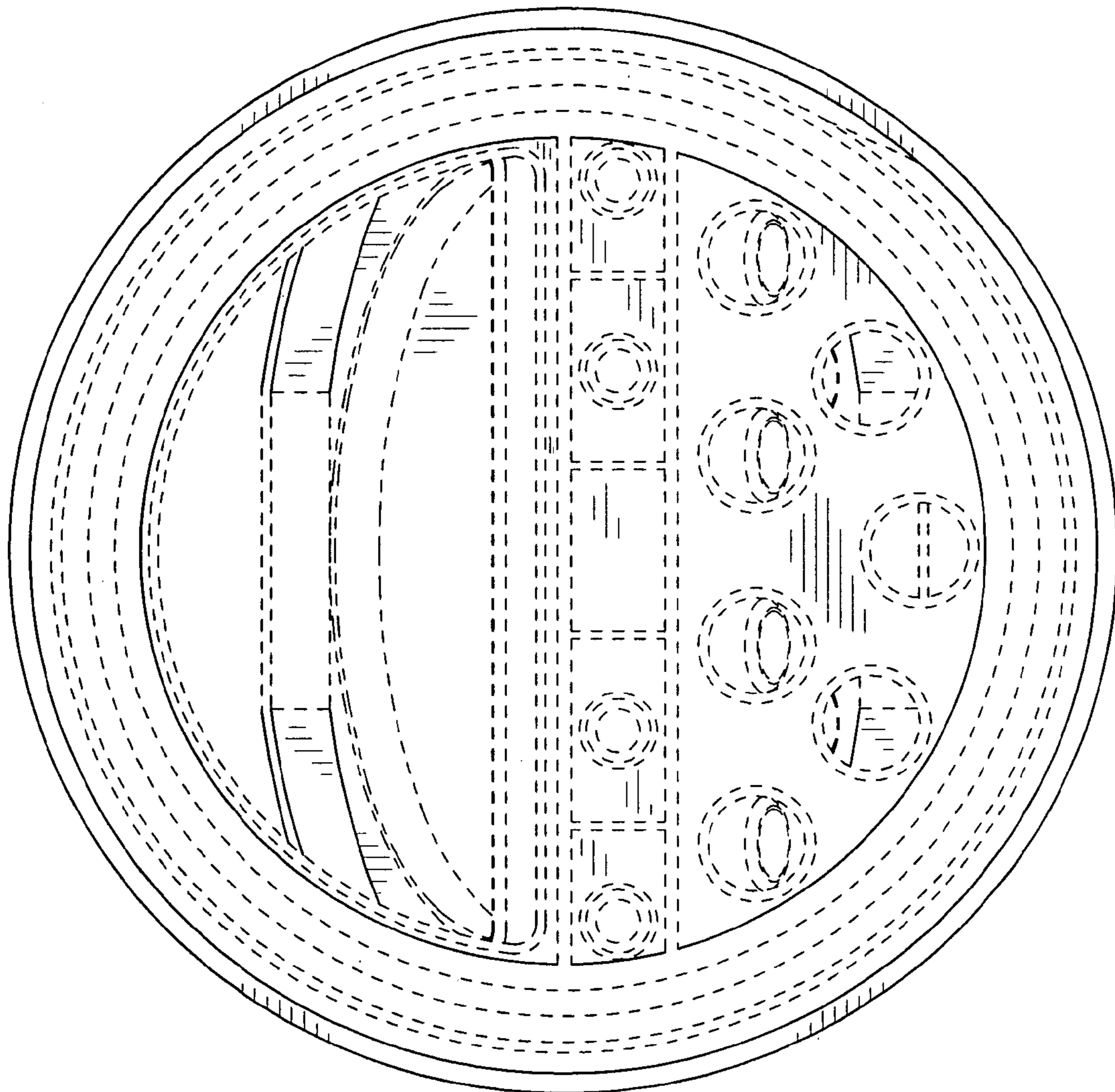


FIGURE 15

