



US00D552989S

(12) **United States Design Patent**
Vogel

(10) **Patent No.:** **US D552,989 S**

(45) **Date of Patent:** **** Oct. 16, 2007**

(54) **CLOSURE FOR A CONTAINER**

(75) Inventor: **William C. Vogel**, Mequon, WI (US)

(73) Assignee: **Gateway Plastics, Inc.**, Mequon, WI (US)

(**) Term: **14 Years**

(21) Appl. No.: **29/269,308**

(22) Filed: **Nov. 28, 2006**

Related U.S. Application Data

(63) Continuation of application No. 29/217,725, filed on Nov. 20, 2004, now Pat. No. Des. 532,691.

(51) **LOC (8) Cl.** **09-07**

(52) **U.S. Cl.** **D9/435**

(58) **Field of Classification Search** D9/741,
D9/738, 454, 449, 447, 435, 421, 420; 222/556,
222/483, 147.2; 220/838, 826, 822, 810;
215/316, 200

See application file for complete search history.

(56) **References Cited**

U.S. PATENT DOCUMENTS

1,676,998	A *	7/1928	Mediati	215/316
4,723,693	A *	2/1988	DeCoster	222/483
RE37,634	E *	4/2002	Hickman et al.	220/826
6,691,901	B2 *	2/2004	Parve et al.	222/556
D509,426	S *	9/2005	Samz et al.	D9/447
D513,452	S *	1/2006	Parve	D9/447

2004/0089678 A1 * 5/2004 Martin 222/556
2006/0151512 A1 * 7/2006 Van Heugten et al. 220/826

* cited by examiner

Primary Examiner—Robert M. Spear

Assistant Examiner—Susan Bennett Hattan

(74) *Attorney, Agent, or Firm*—Foley & Lardner LLP

(57) **CLAIM**

We claim the ornamental design for a closure for a container, as shown and described.

DESCRIPTION

FIG. 1 is a top perspective view of a closure for a container;

FIG. 2 is a top perspective view of the design of FIG. 1;

FIG. 3 is a bottom perspective view of the design of FIG. 1;

FIG. 4 is a bottom perspective view of the design of FIG. 1;

FIG. 5 is a top view of the design of FIG. 1;

FIG. 6 is a bottom view of the design of FIG. 1;

FIG. 7 is a right side view of the design of FIG. 1, the left side view being a mirror image;

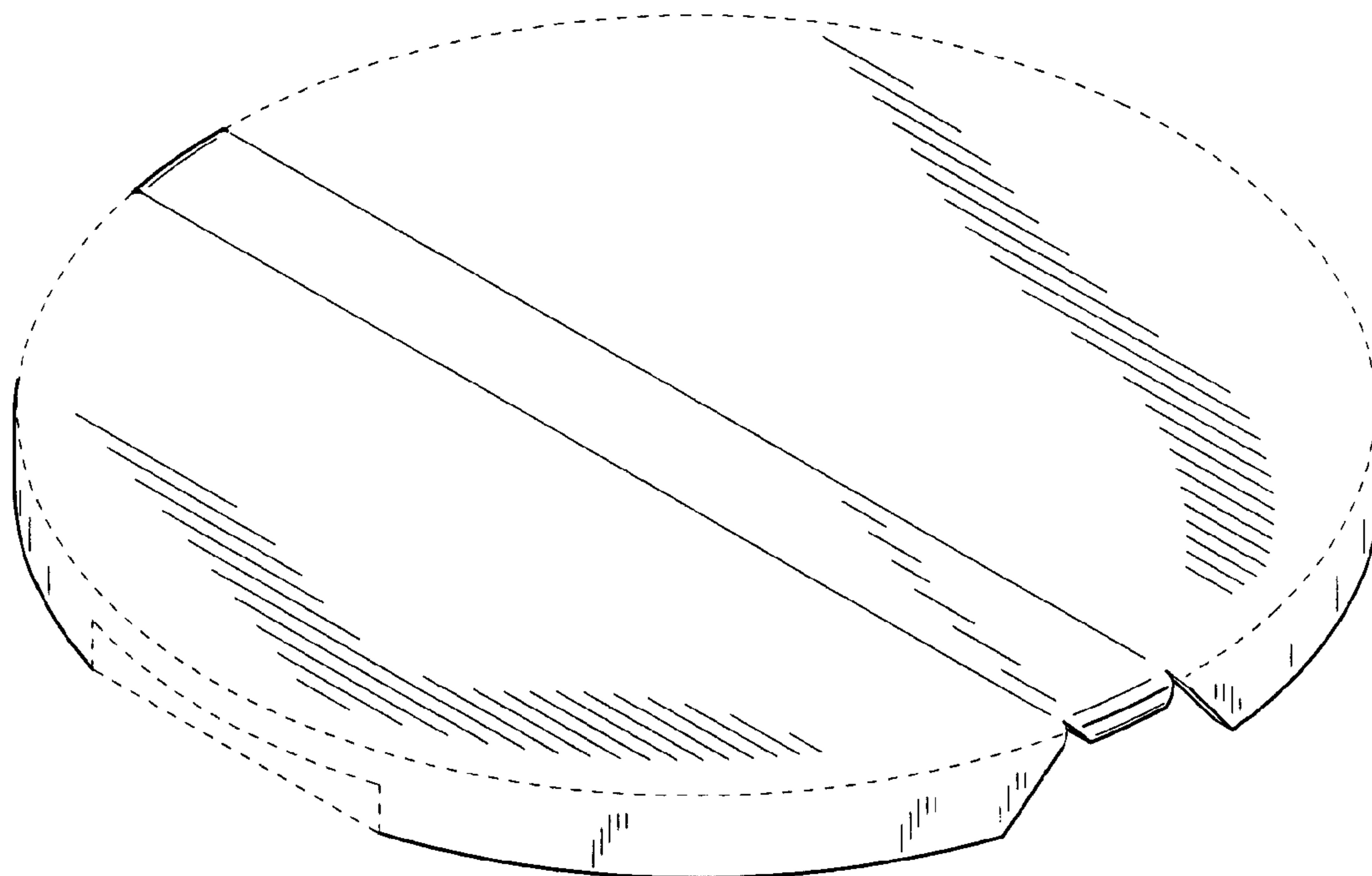
FIG. 8 is a front view of the design of FIG. 1; and,

FIG. 9 is a rear view of the design of FIG. 1.

The broken lines in the drawings are for illustrative purposes only and form no part of the claimed design.

The broken lines on the exterior perimeter edge of the closure indicate that the edge is unclaimed.

1 Claim, 7 Drawing Sheets



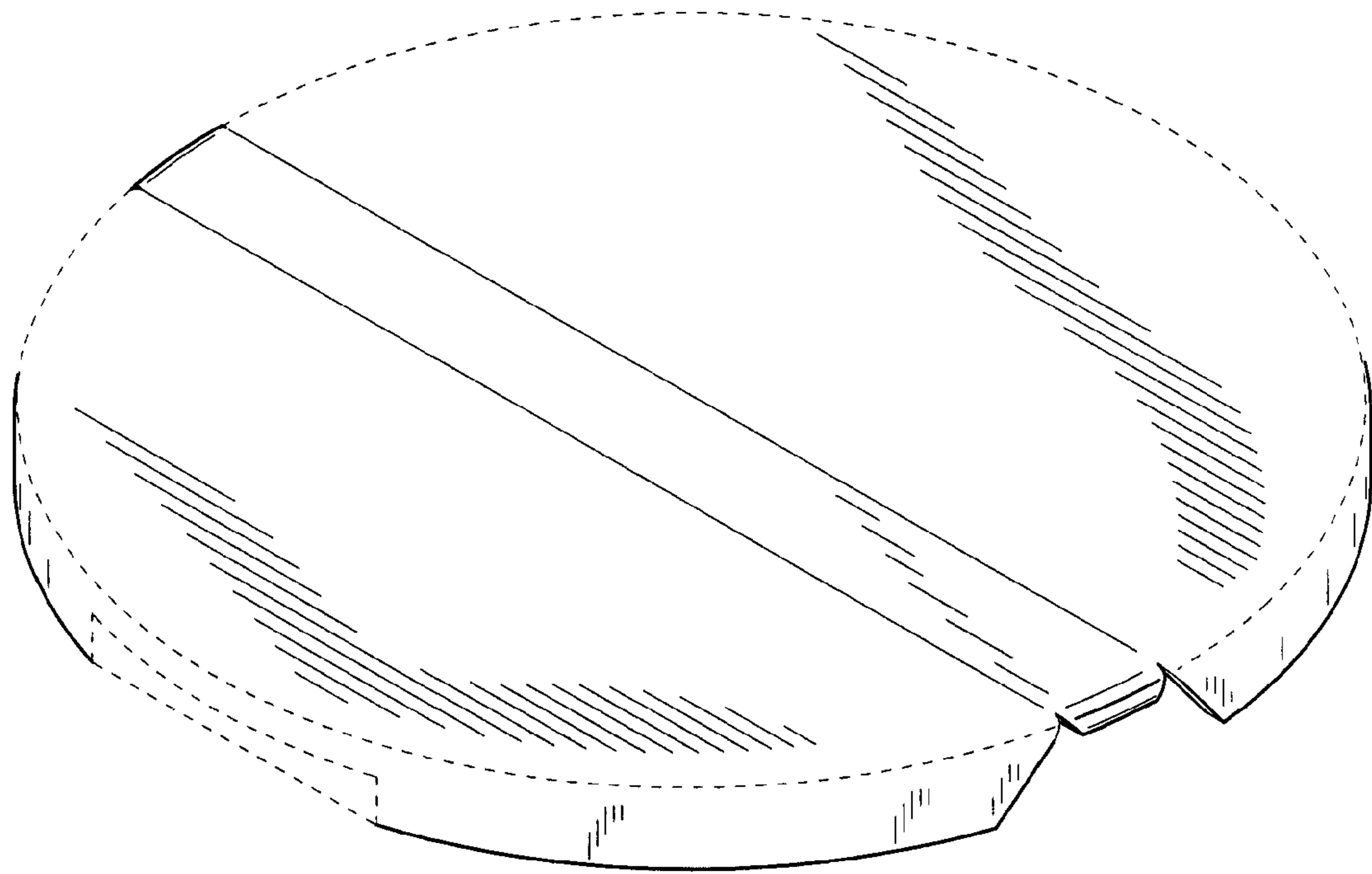


FIGURE 1

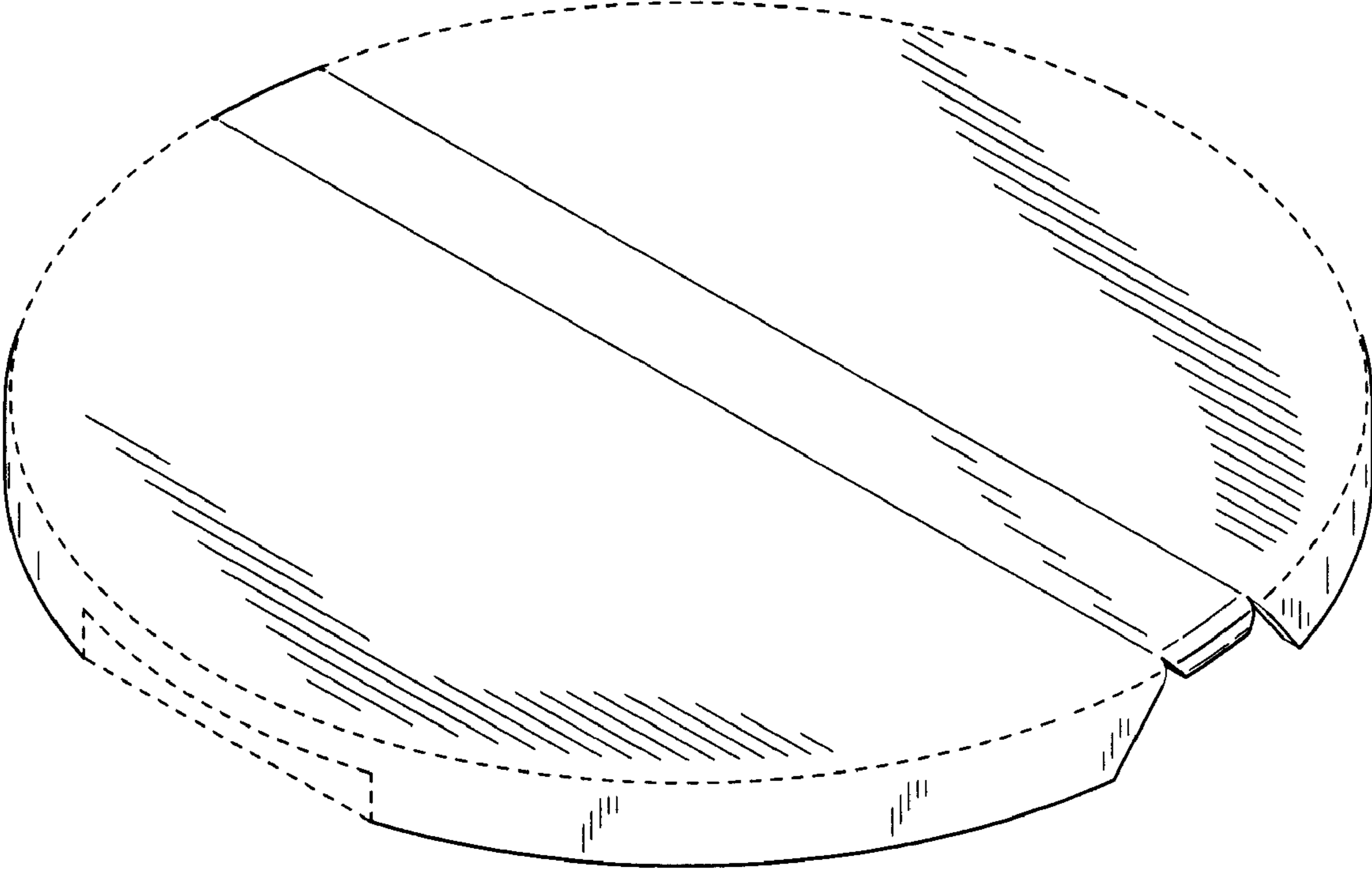


FIGURE 2

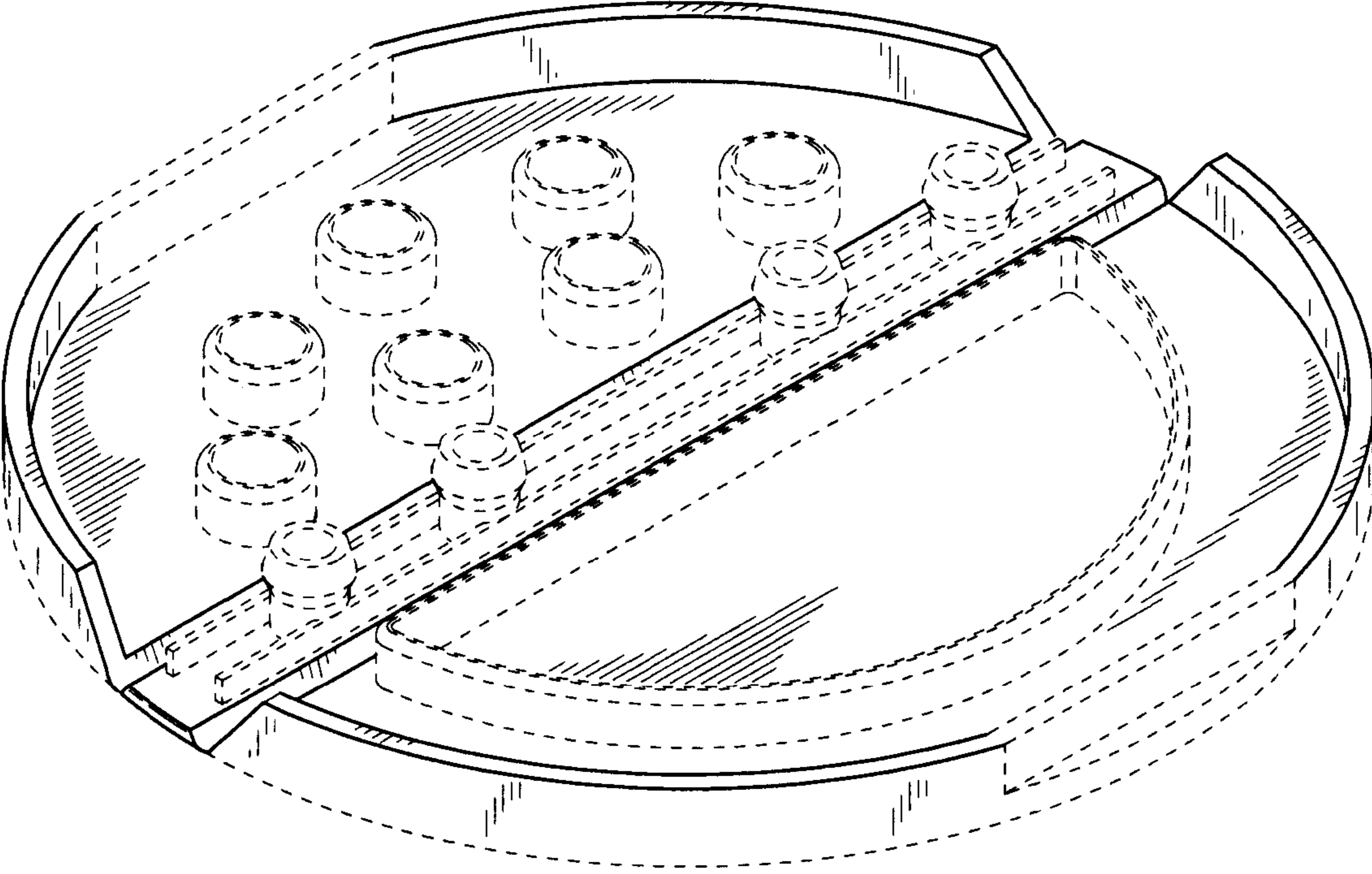


FIGURE 3

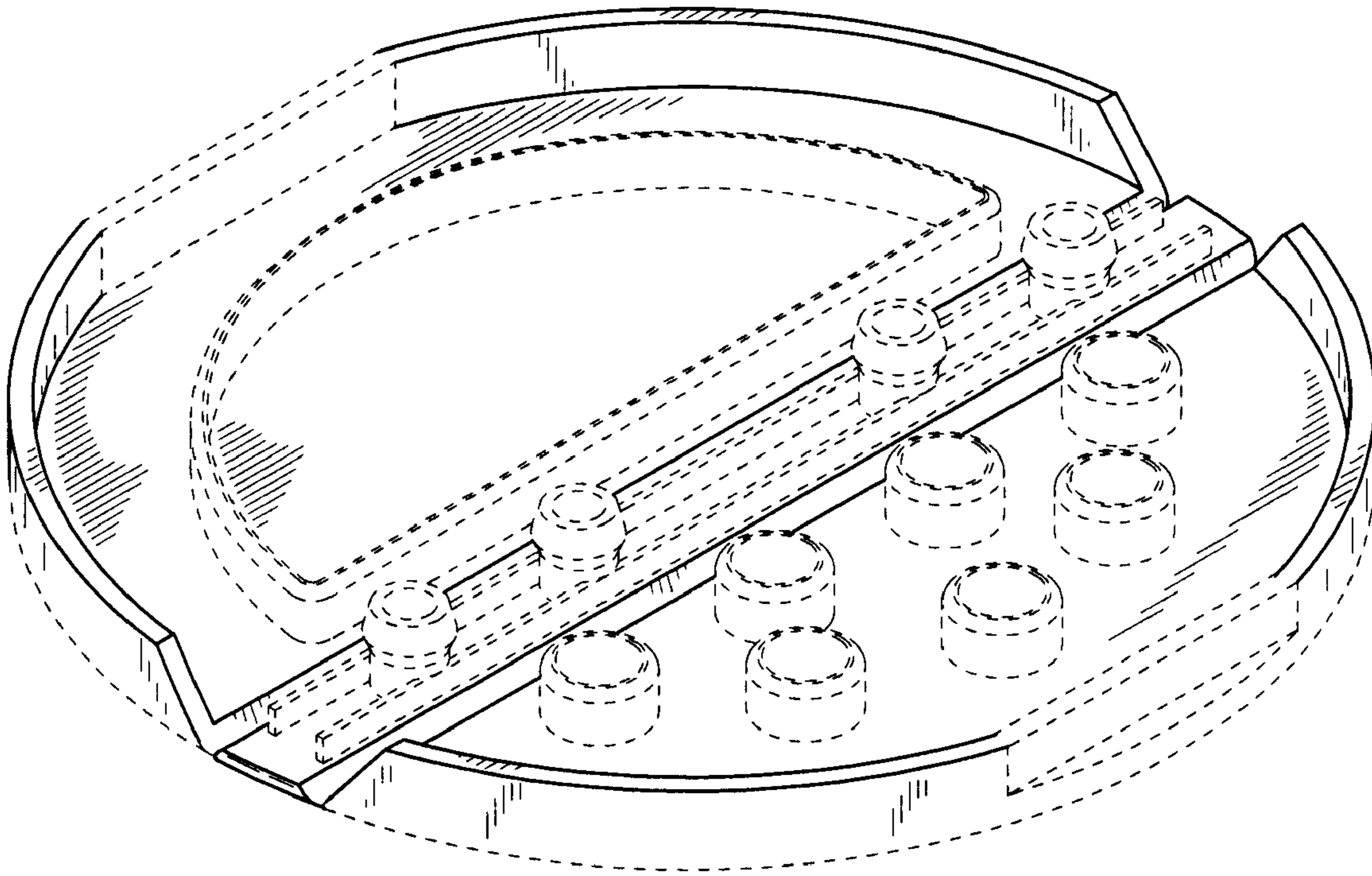


FIGURE 4

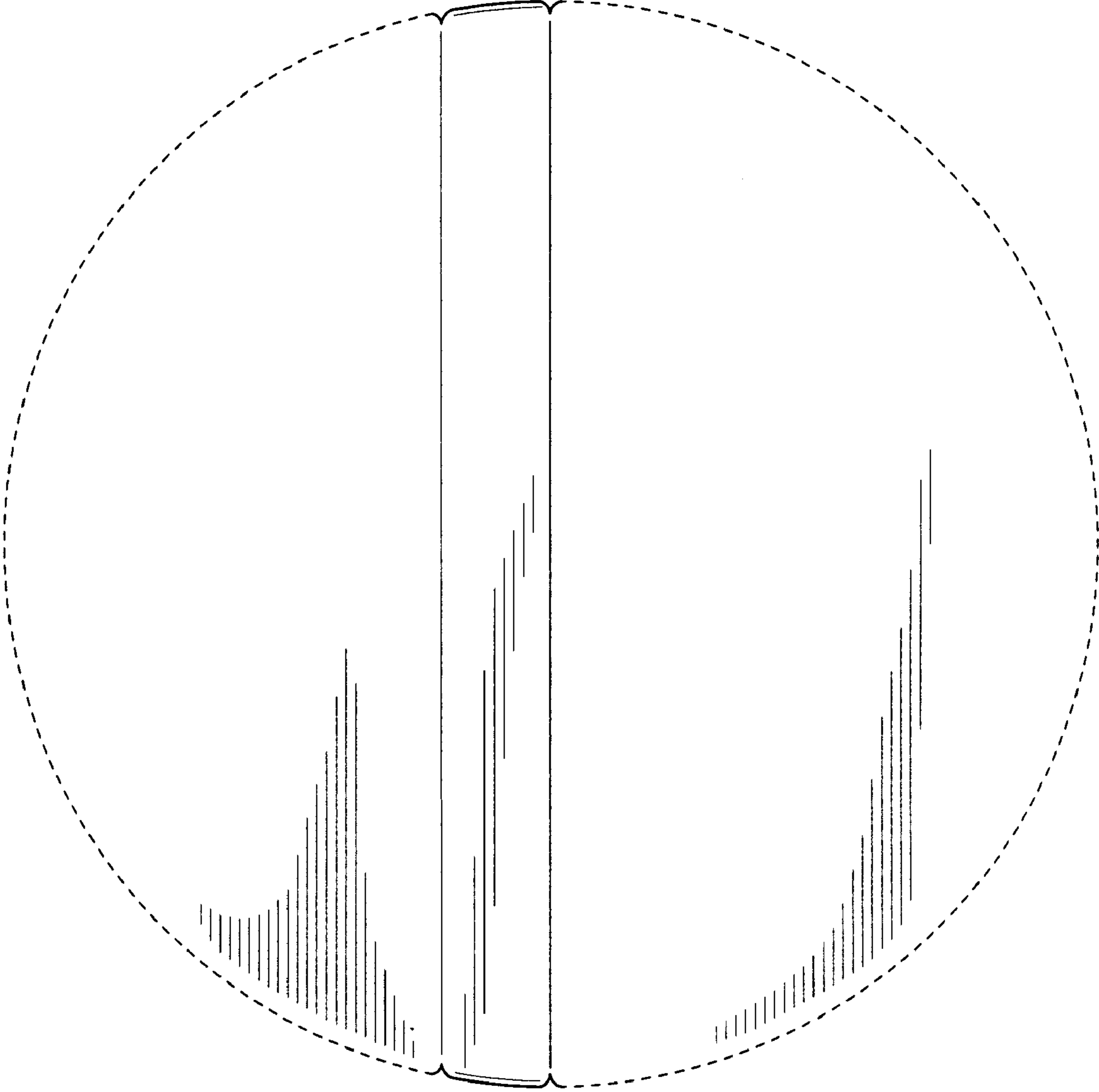


FIGURE 5

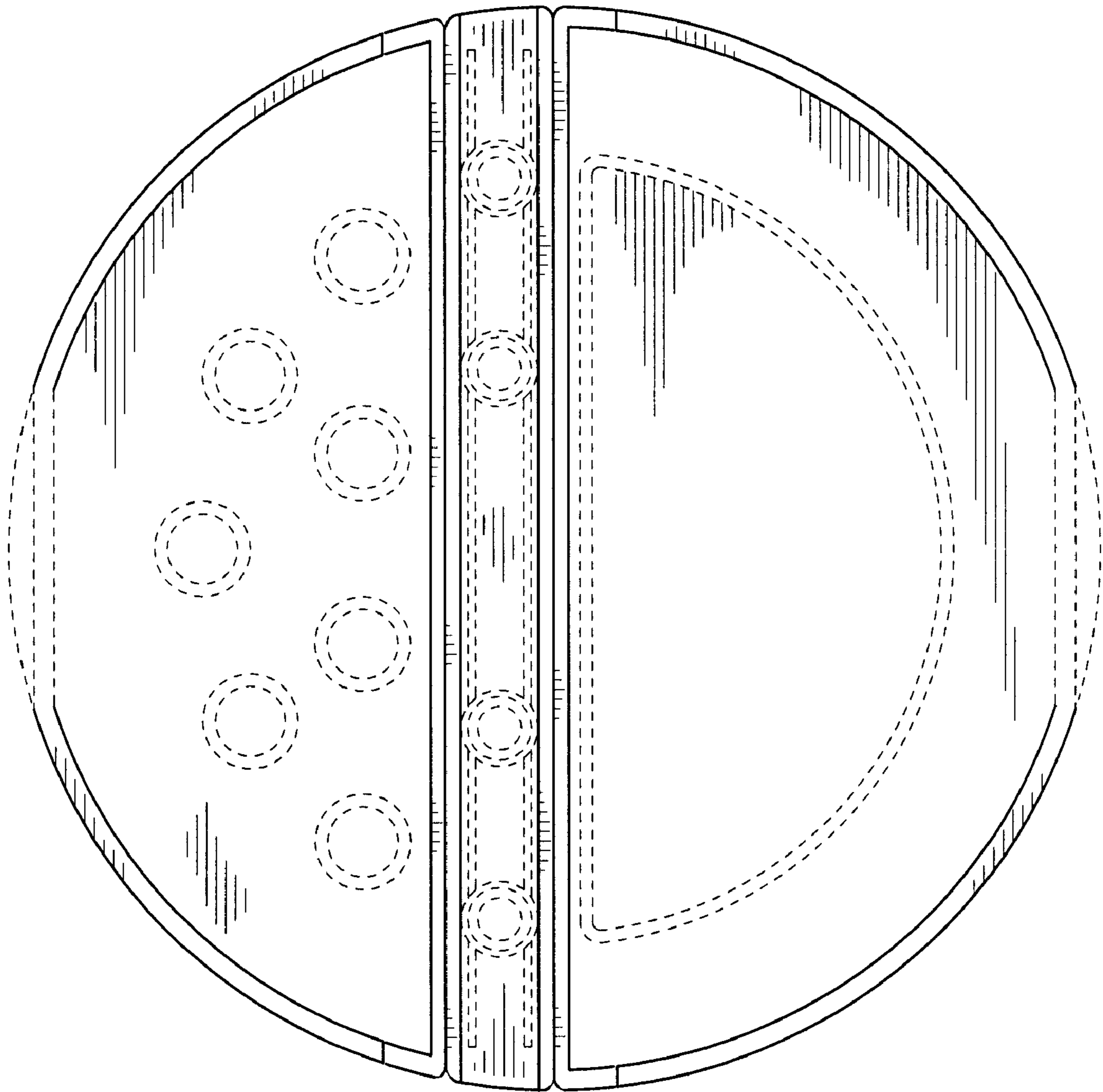


FIGURE 6

FIGURE 7

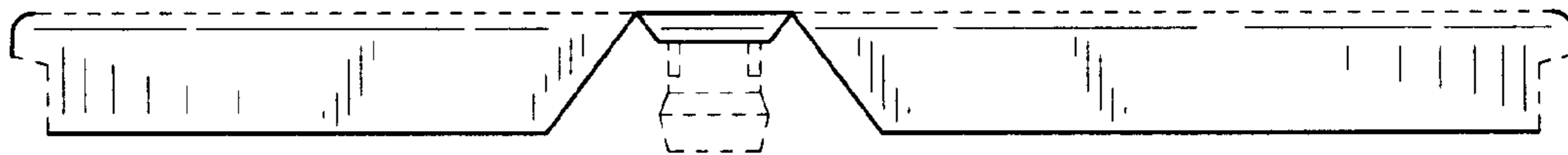


FIGURE 8

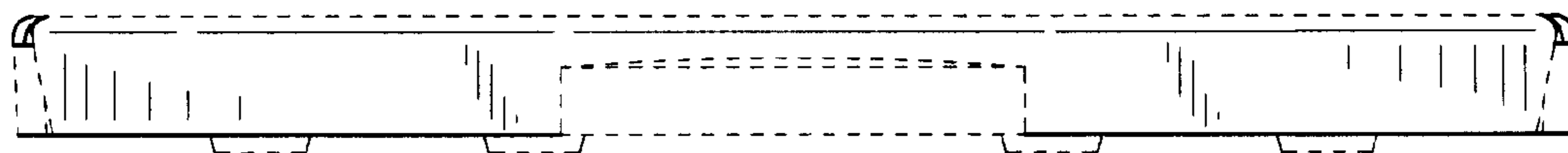


FIGURE 9

