



US00D552983S

(12) **United States Design Patent**  
**Kutsch et al.**

(10) **Patent No.:** **US D552,983 S**

(45) **Date of Patent:** **\*\* Oct. 16, 2007**

(54) **CONTAINER**

(75) Inventors: **John H. Kutsch**, Crystal Lake, IL  
(US); **Rutger Thiellier**, Chicago, IL  
(US); **Andrew Vest**, Midlothian, VA  
(US)

(73) Assignee: **Philip Morris USA Inc.**, Richmond,  
VA (US)

(\*\*) Term: **14 Years**

(21) Appl. No.: **29/231,143**

(22) Filed: **Jun. 2, 2005**

(51) **LOC (8) Cl.** ..... **09-03**

(52) **U.S. Cl.** ..... **D9/422**

(58) **Field of Classification Search** ..... D9/414,  
D9/417, 420-435, 440, 447, 499, 760-770,  
D9/756; 206/37, 494, 527, 499-502, 457;  
220/620, 656, 659, 669, 765, 890; 229/400-404,  
229/939, 915, 116.5, 201, 100, 123-126,  
229/188

See application file for complete search history.

(56) **References Cited**

**U.S. PATENT DOCUMENTS**

1,163,773	A *	12/1915	Ross	.....	206/1.5
1,163,775	A *	12/1915	Rouse	.....	206/1.5
3,833,143	A *	9/1974	Starkermann et al.	.....	220/351
3,987,891	A *	10/1976	Horvath	.....	206/1.5
4,076,117	A	2/1978	Wisdom et al.		
4,113,098	A	9/1978	Howard		
4,126,244	A	11/1978	Elser		
4,174,034	A	11/1979	Hoo		
D261,110	S *	10/1981	Yoshimoto	.....	D9/432
4,364,488	A	12/1982	Anjou		
4,485,915	A	12/1984	Berghahn		
4,561,544	A	12/1985	Reeve		

4,691,456	A *	9/1987	Ackeret	.....	40/721
4,844,284	A	7/1989	Drozdz et al.		
5,080,222	A	1/1992	McNary		
5,082,137	A	1/1992	Weinstein		
5,275,291	A	1/1994	Sledge		
D352,895	S	11/1994	van Loo		
D407,972	S	4/1999	Hilton		
D442,744	S *	5/2001	Goswell	.....	D28/82
D446,718	S	8/2001	Anderson		
D451,799	S	12/2001	Berger et al.		
6,341,693	B2	1/2002	Konno et al.		
6,341,710	B1	1/2002	Danielson et al.		

(Continued)

**OTHER PUBLICATIONS**

“How to Revel,” <http://www.revel.com/How.aspx>, copyright dated 2005.

*Primary Examiner*—Selina Sikder

*Assistant Examiner*—Thomas Johannes

(74) *Attorney, Agent, or Firm*—Buchanan Ingersoll & Rooney PC

(57)

**CLAIM**

The ornamental design for a container, as shown and described.

**DESCRIPTION**

FIG. 1 is a front, top perspective view of a container showing my new design.

FIG. 2 is a top plan view thereof.

FIG. 3 is a bottom plan view thereof.

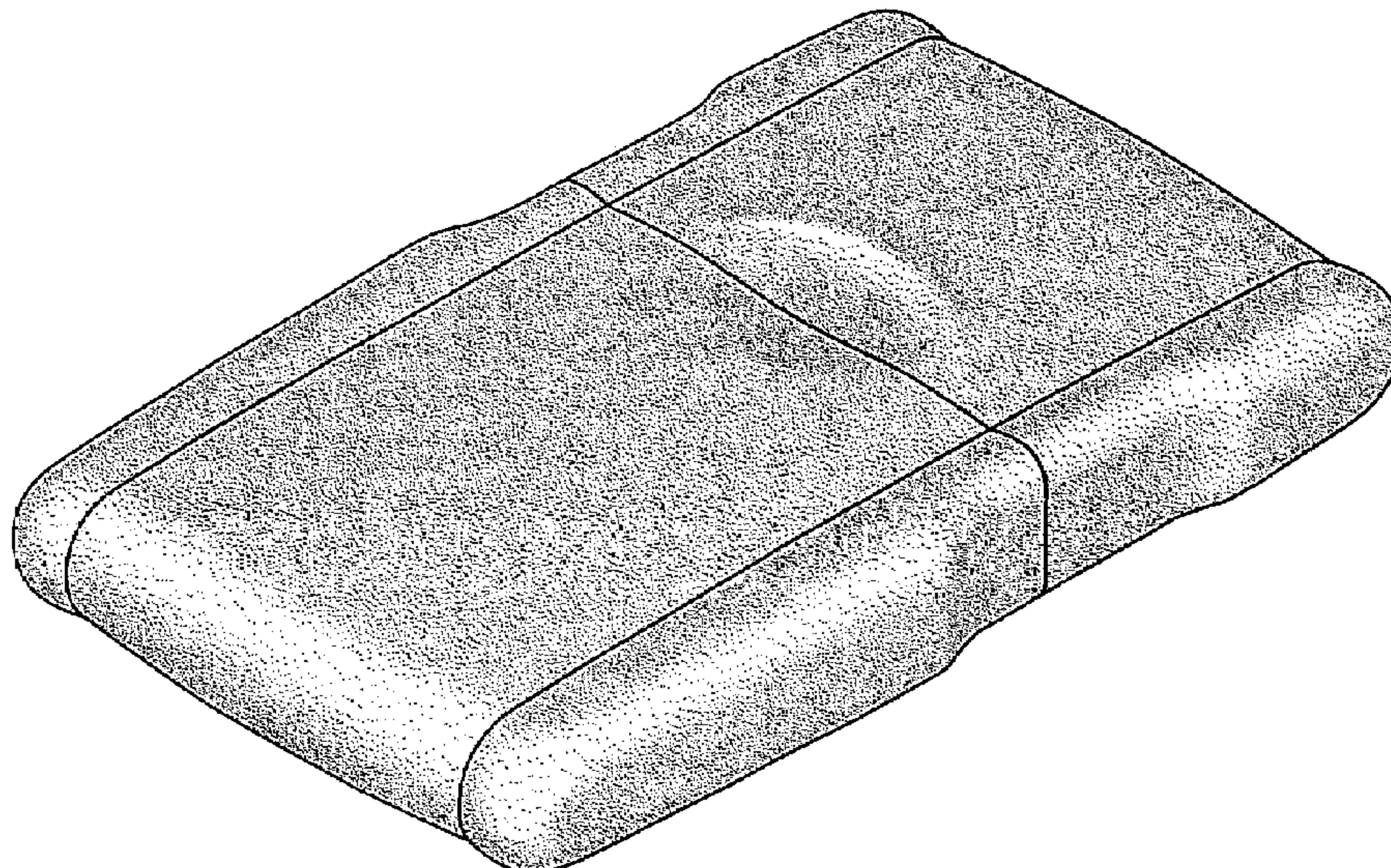
FIG. 4 is a front elevational view thereof.

FIG. 5 is a rear elevational view thereof.

FIG. 6 is a right side elevational view thereof; and,

FIG. 7 is a left side elevational view thereof.

**1 Claim, 5 Drawing Sheets**



# US D552,983 S

Page 2

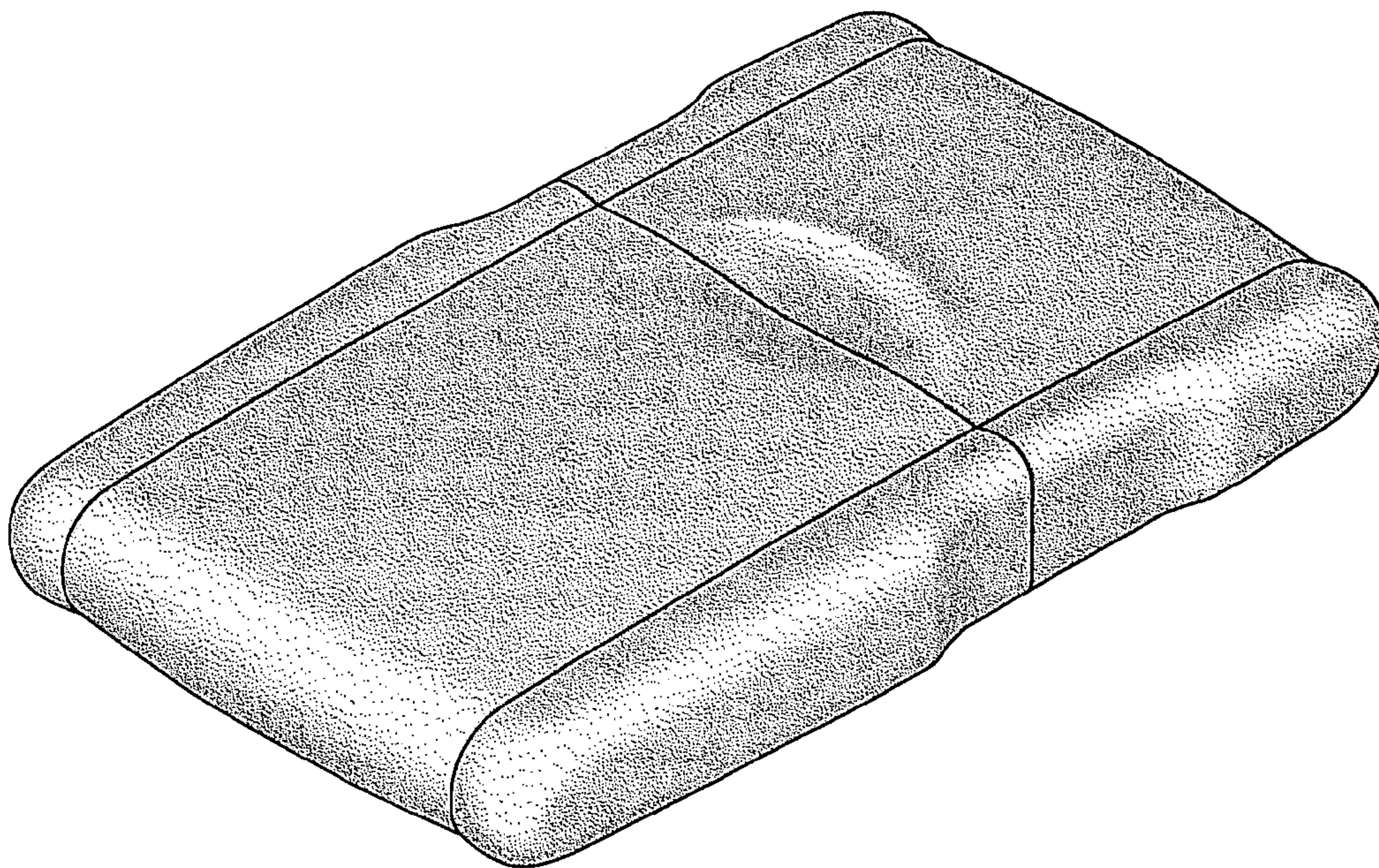
---

## U.S. PATENT DOCUMENTS

D460,352 S	7/2002	Bried				
D465,729 S	11/2002	Nishimura				
6,672,471 B2 *	1/2004	Cross	.....	220/345.4		
D494,466 S	8/2004	Devine				
D497,246 S	10/2004	Darst				
D497,803 S	11/2004	Nichols et al.				
D498,139 S	*	11/2004	Haggerty et al.	.....	D9/417	
6,981,591 B2 *	1/2006	Logan	.....		206/451	
D522,356 S	*	6/2006	Liebe	.....	D9/426	
D522,855 S	*	6/2006	Liebe et al.	.....	D9/426	
D531,023 S	*	10/2006	Tanner	.....	D9/423	
2004/0173613 A1		9/2004	Schroeder et al.			

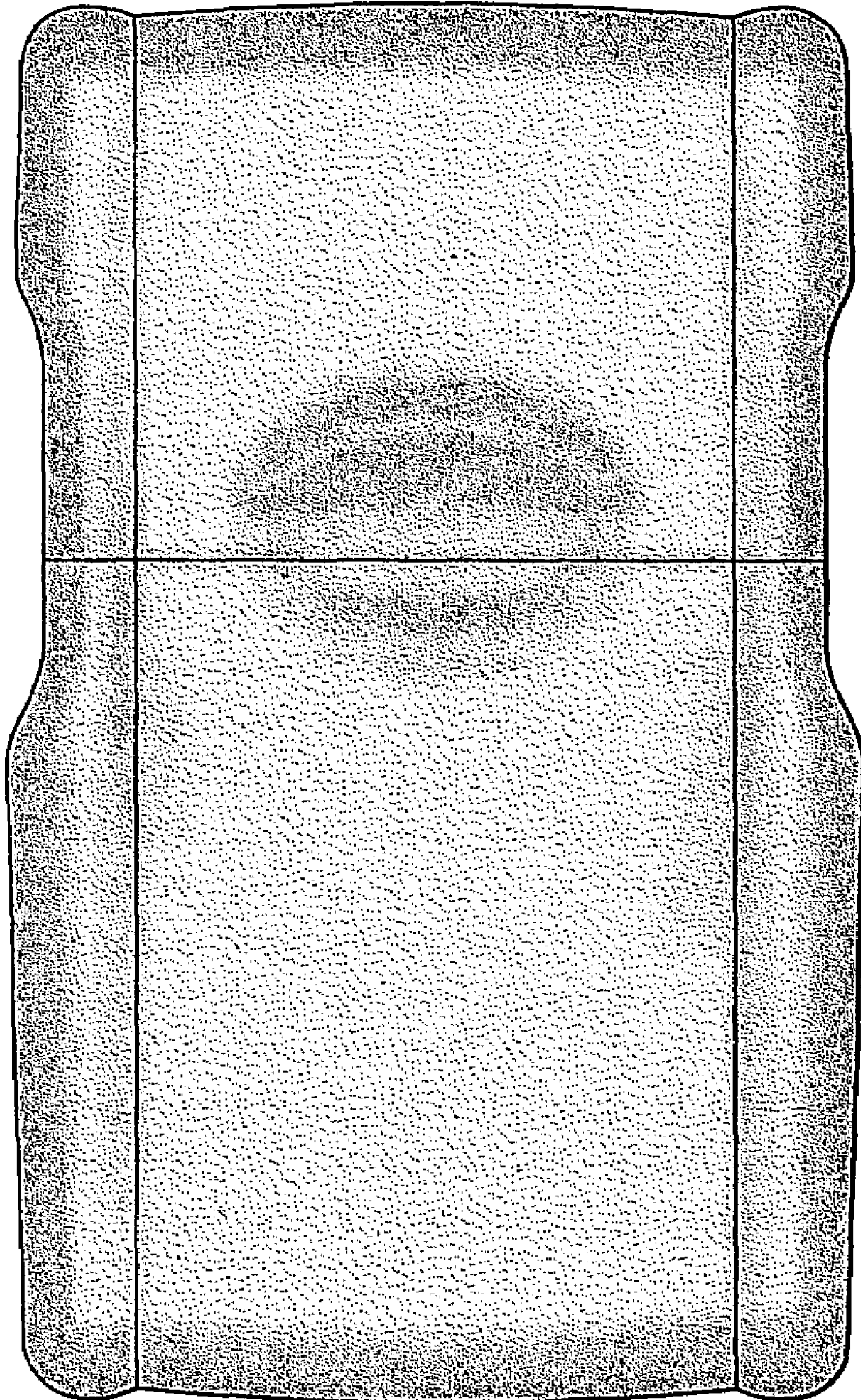
\* cited by examiner





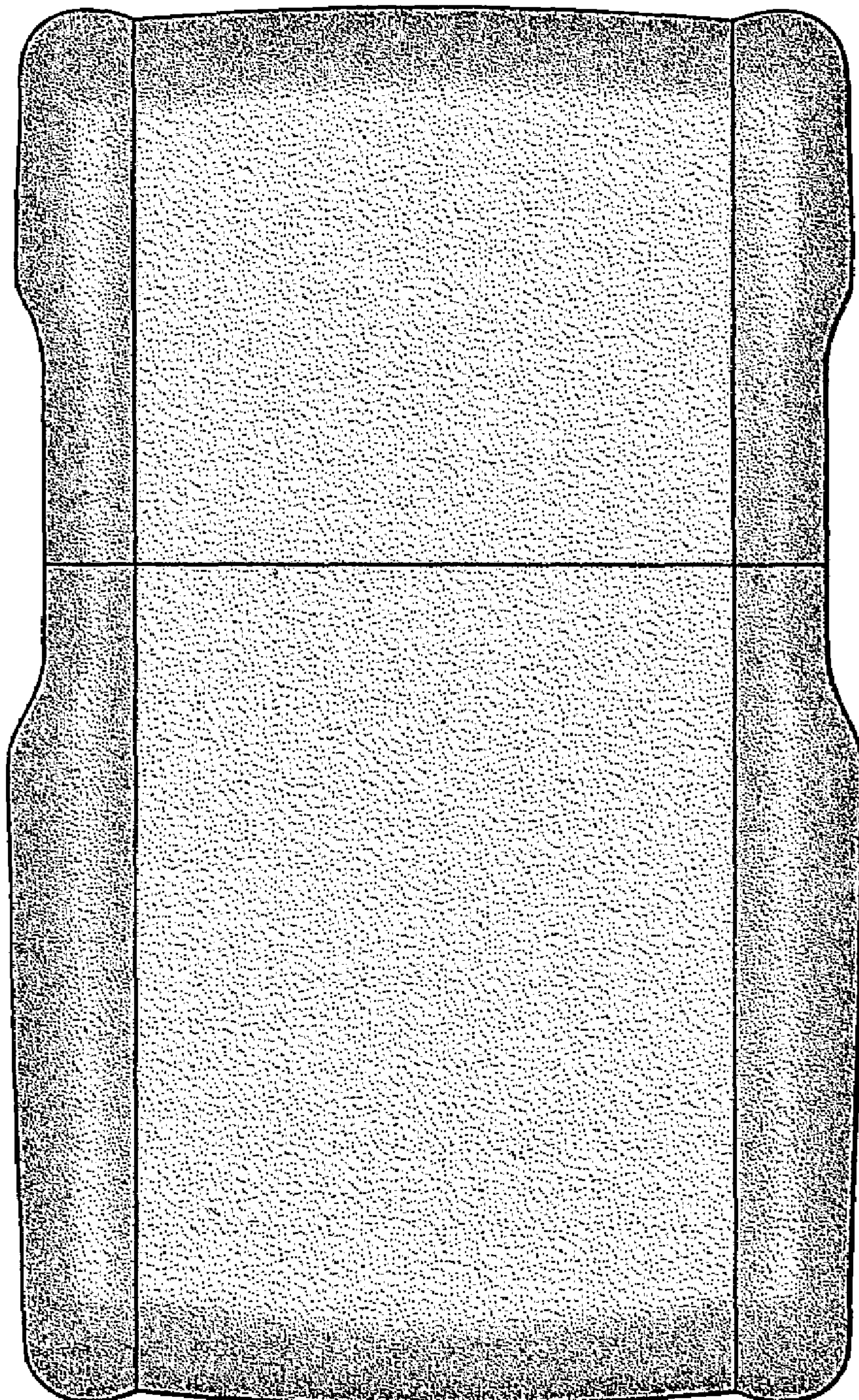
**FIG. 1**





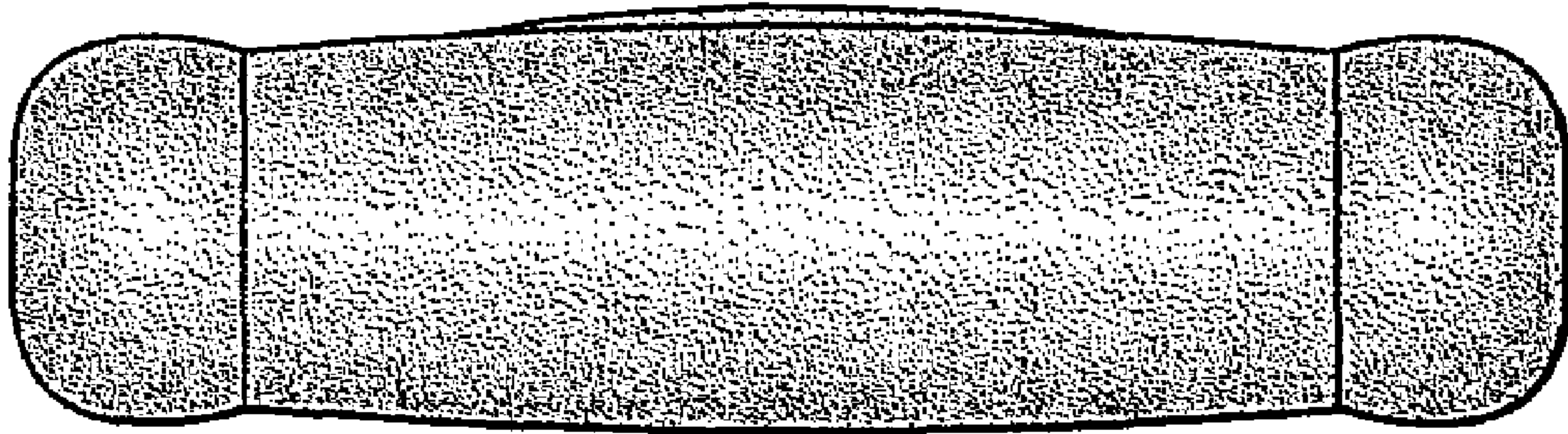
**FIG. 2**



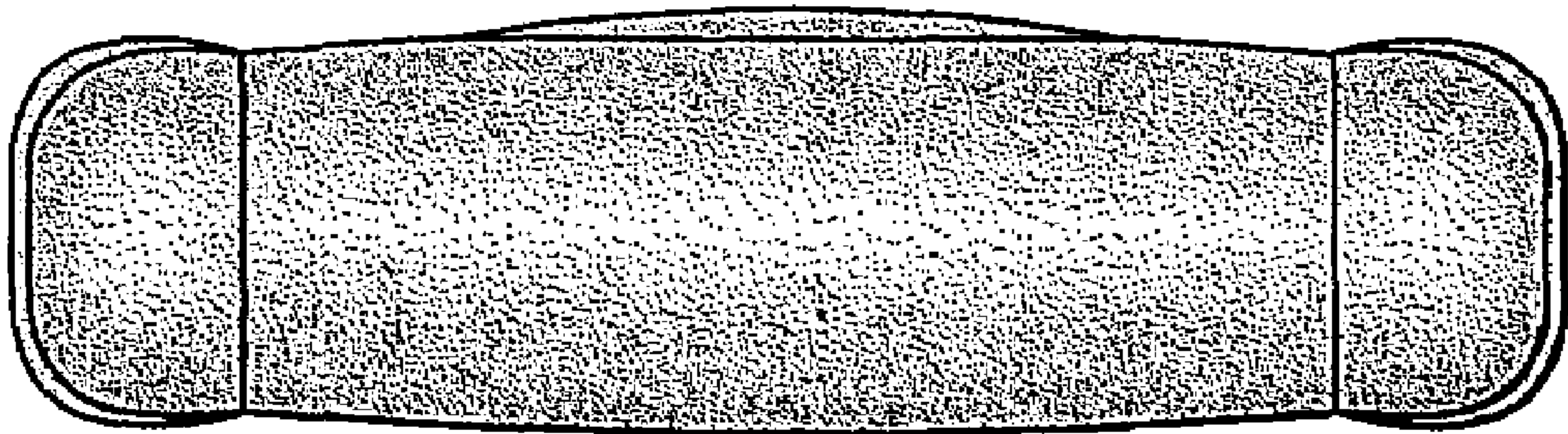


**FIG. 3**

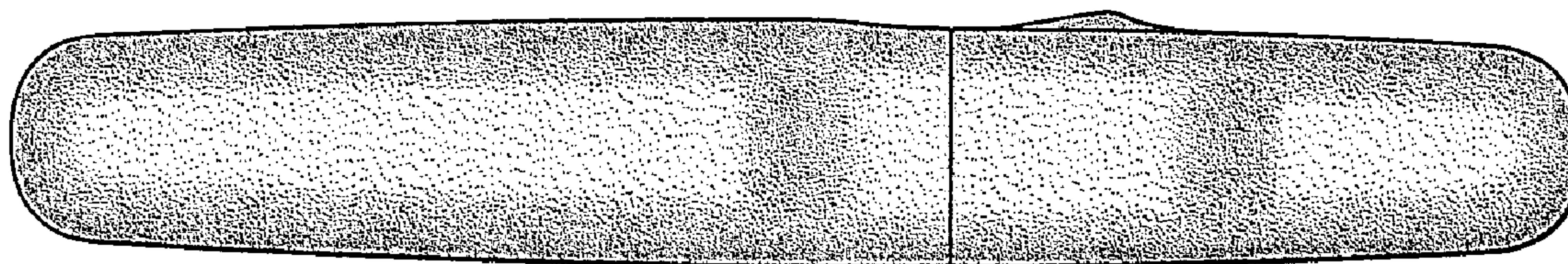




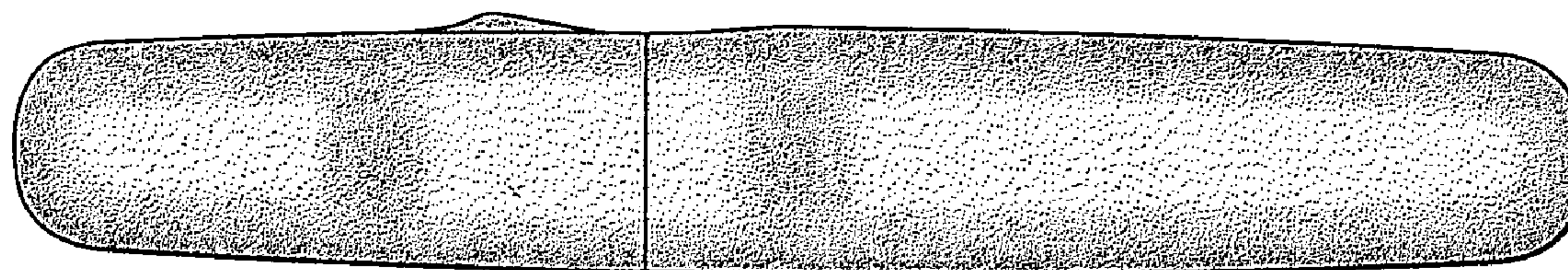
**FIG. 4**



**FIG. 5**



**FIG. 6**



**FIG. 7**